



US00D901709S

(12) **United States Design Patent** (10) **Patent No.:** **US D901,709 S**
Hargreaves et al. (45) **Date of Patent:** **** Nov. 10, 2020**

- (54) **HANDHELD SPECTROSCOPY TEST KIT ADAPTER**
- (71) Applicant: **Thermo Scientific Portable Analytical Instruments Inc.**, Tewksbury, MA (US)
- (72) Inventors: **Michael Hargreaves**, Burlington, MA (US); **Andrew Leoni**, Billerica, MA (US); **Wayne Jalenak**, Maynard, MA (US)
- (73) Assignee: **Thermo Scientific Portable Analytical Instruments Inc.**, Tewksbury, MA (US)

- (**) Term: **15 Years**
- (21) Appl. No.: **29/682,104**
- (22) Filed: **Mar. 1, 2019**
- (51) **LOC (12) Cl.** **24-01**
- (52) **U.S. Cl.**
USPC **D24/216**; D24/186
- (58) **Field of Classification Search**
USPC D24/107, 121, 122, 129, 186, 216, 223, D24/224, 231; D10/81
CPC G01N 2021/651; G01N 2021/656; G01N 2201/0021; G01N 2035/00108; G01J 3/44
See application file for complete search history.

- (56) **References Cited**
U.S. PATENT DOCUMENTS
D639,940 S * 6/2011 Cushner D24/129
D670,587 S * 11/2012 Fitzpatrick D10/81
8,355,126 B2 * 1/2013 Goulter G01J 3/02
356/313
D729,662 S * 5/2015 Gifford D24/216
D763,108 S * 8/2016 Hagerty D10/81

D869,311 S * 12/2019 Khattak D10/81
2013/0016337 A1 * 1/2013 Gardner G01N 21/658
356/51
2018/0292259 A1 * 10/2018 Leoni G01J 3/0267
* cited by examiner

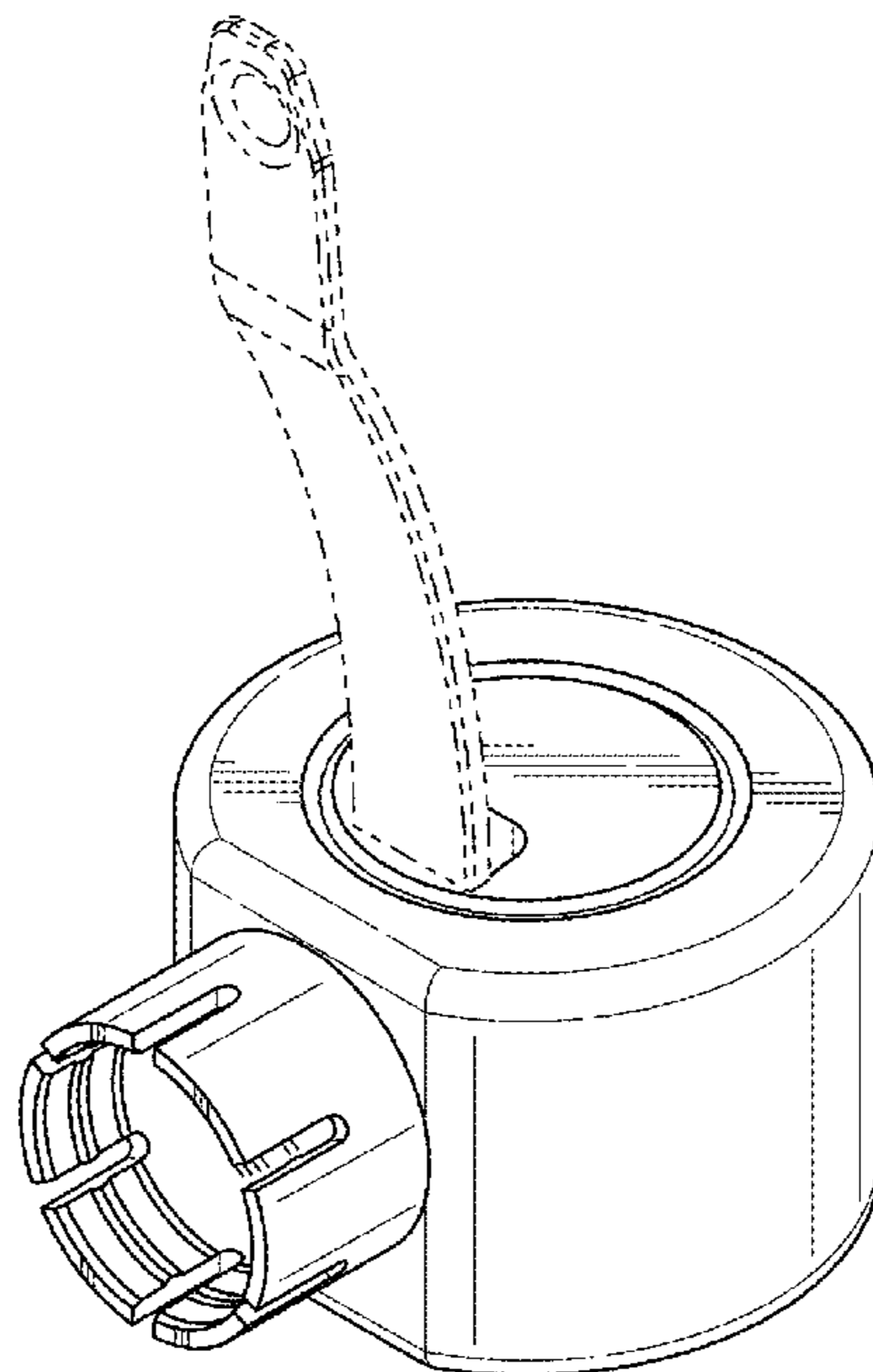
Primary Examiner — Anhdao Doan
(74) *Attorney, Agent, or Firm* — William R. McCarthy, III

(57) **CLAIM**
The ornamental design for a handheld spectroscopy test kit adapter, as shown and described.

DESCRIPTION

FIG. 1 is an isometric view of a handheld spectroscopy test kit adapter with a test stick inserted;
FIG. 2 is an isometric view of the handheld spectroscopy test kit adapter without the test stick inserted;
FIG. 3 is a front elevation view of the handheld spectroscopy test kit adapter with the test stick inserted;
FIG. 4 is a front elevation view of the handheld spectroscopy test kit adapter without the test stick inserted;
FIG. 5 is a back elevation view of the handheld spectroscopy test kit adapter with the test stick inserted;
FIG. 6 is a side elevation view of the handheld spectroscopy test kit adapter with the test stick inserted;
FIG. 7 is a top elevation view of the handheld spectroscopy test kit adapter with the test stick inserted;
FIG. 8 is a top elevation view of the handheld spectroscopy test kit adapter without the test stick inserted; and,
FIG. 9 is a bottom elevation view of the handheld spectroscopy test kit adapter.
The broken lines depicting the test stick represent environmental structure, and the remaining broken lines represent portions of the handheld spectroscopy test kit adapter that form no part of the claimed design.

1 Claim, 9 Drawing Sheets



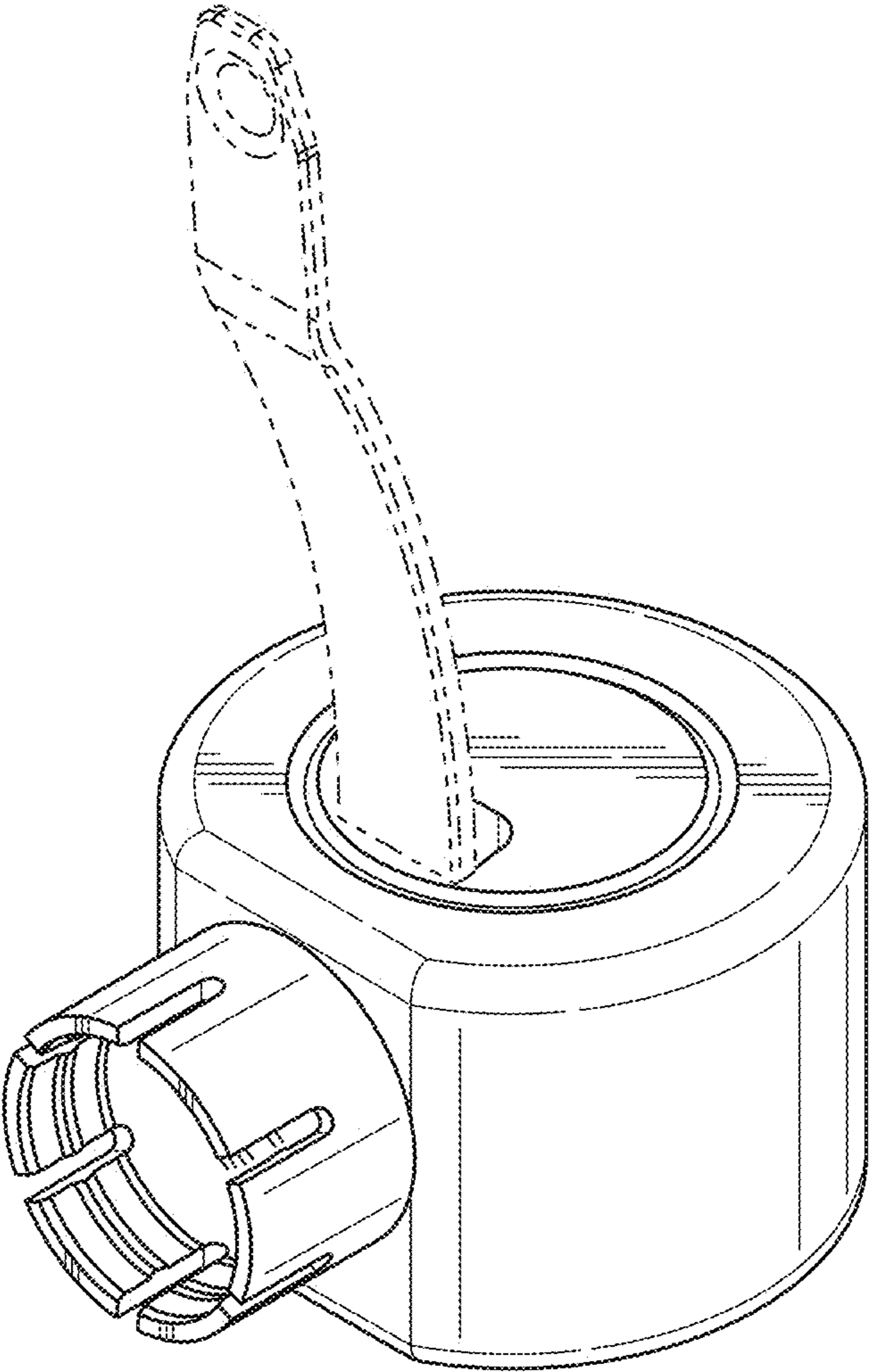


FIG. 1

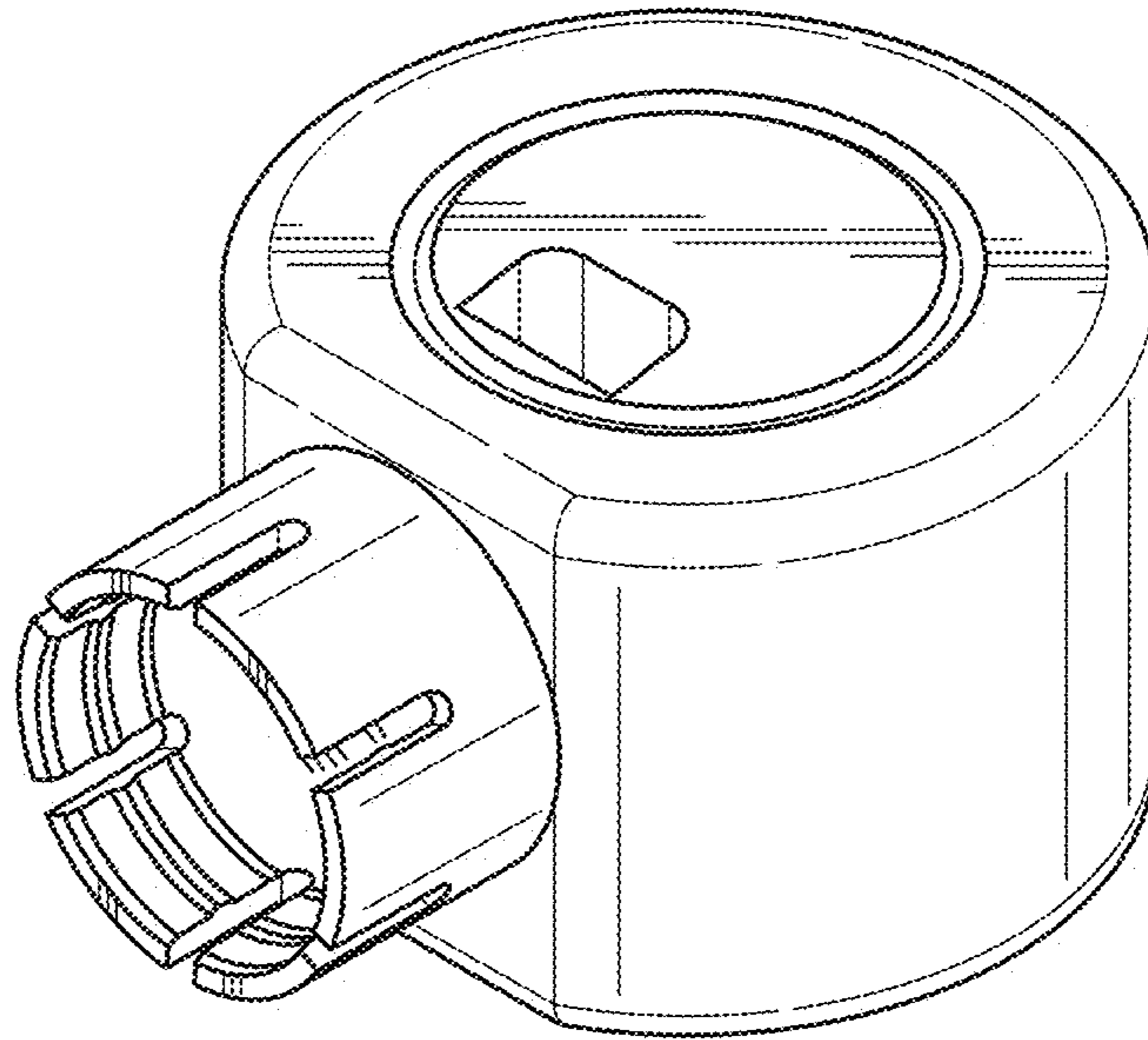


FIG. 2

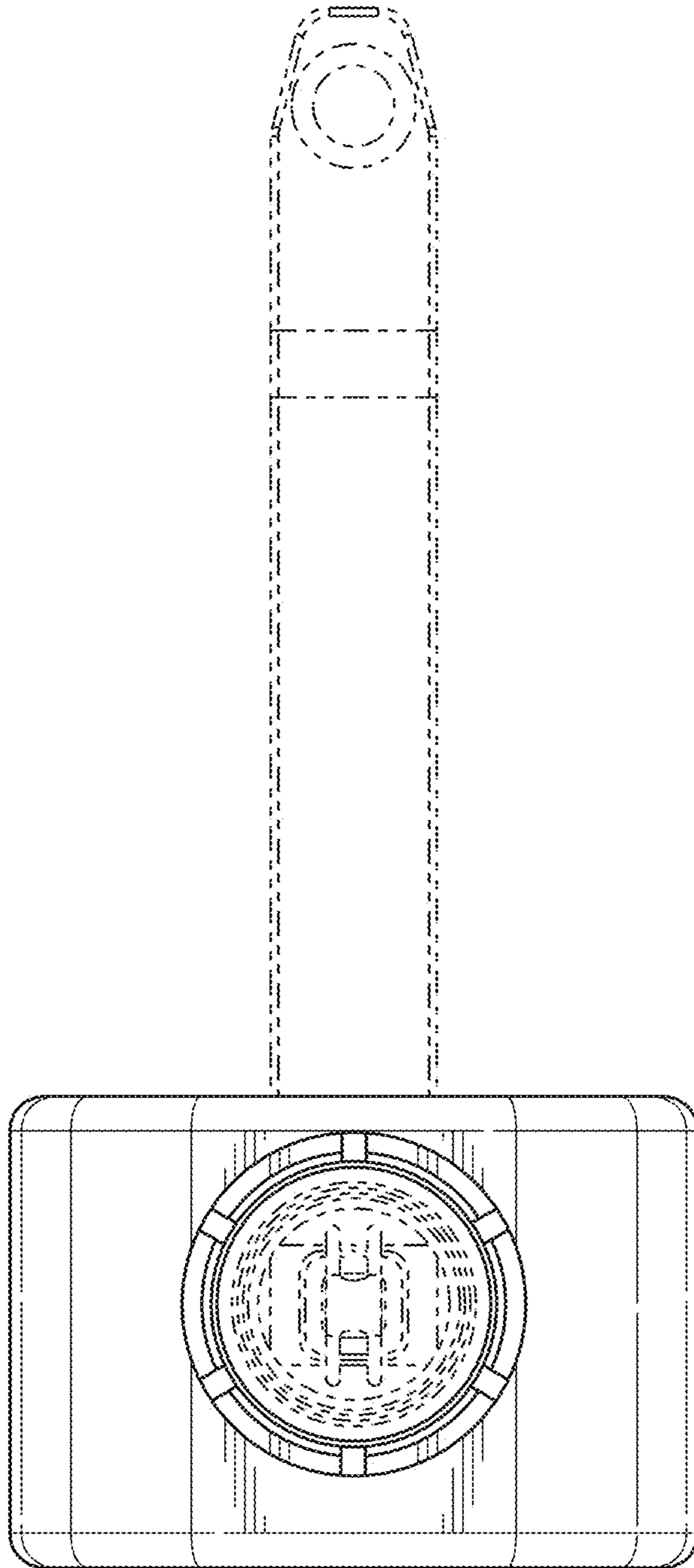


FIG. 3

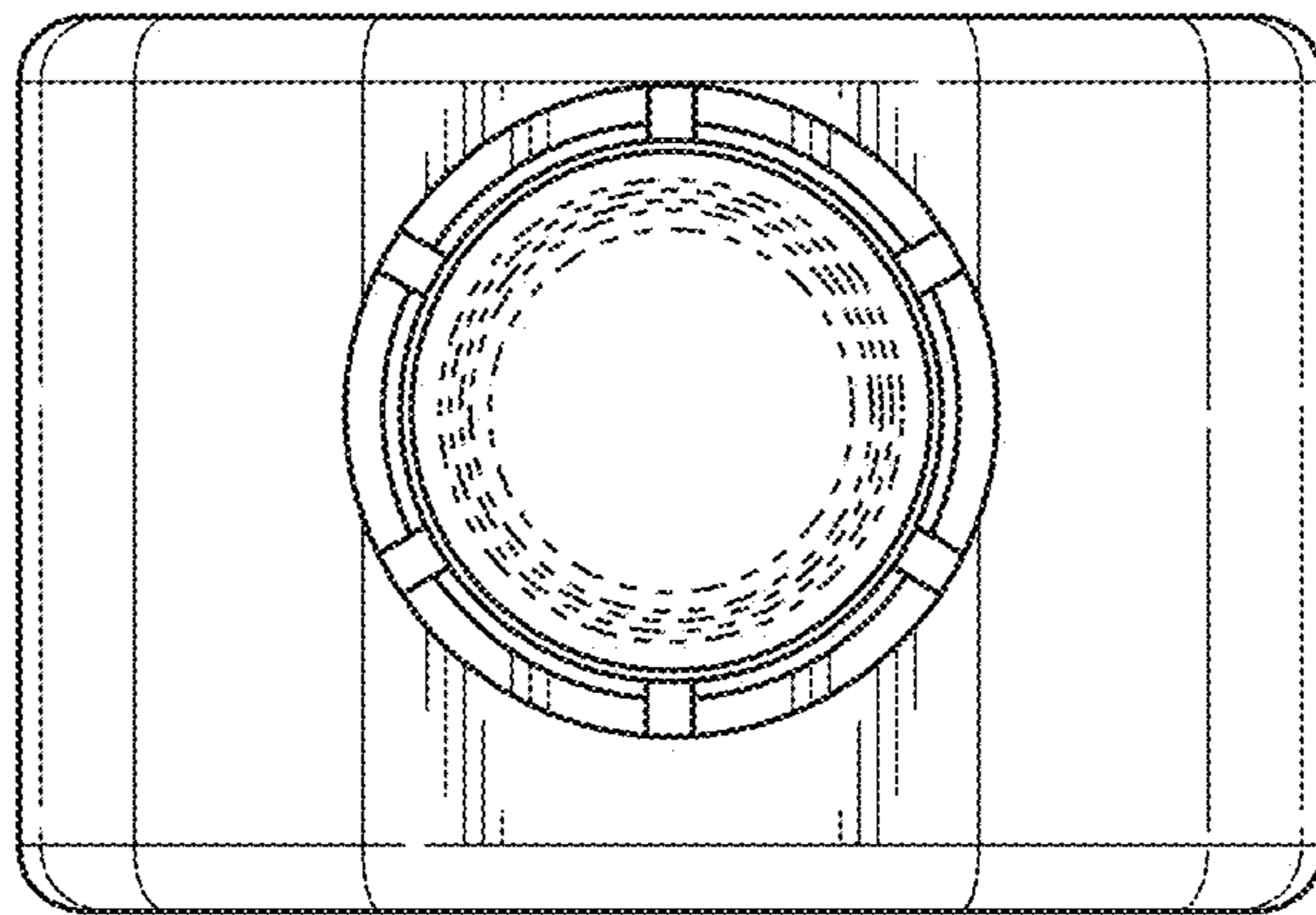


FIG. 4

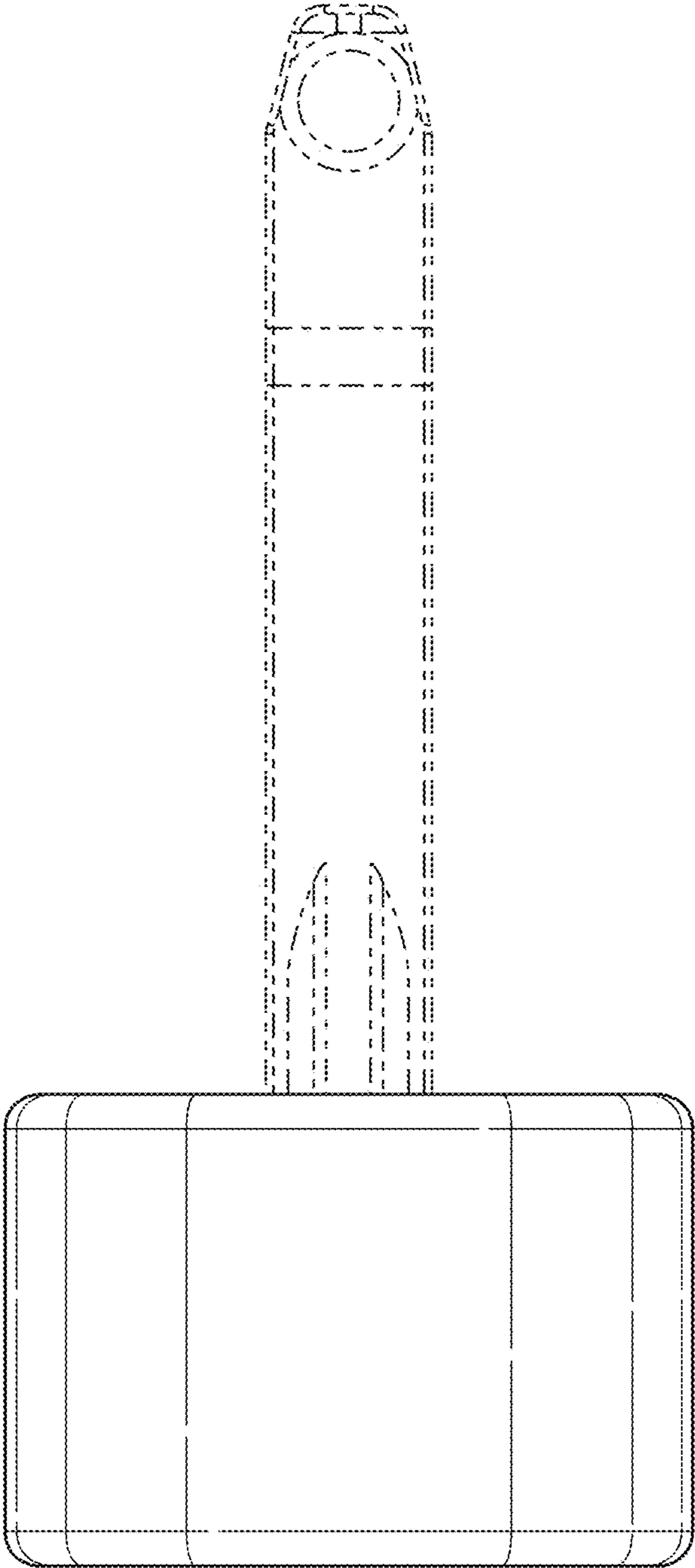


FIG. 5

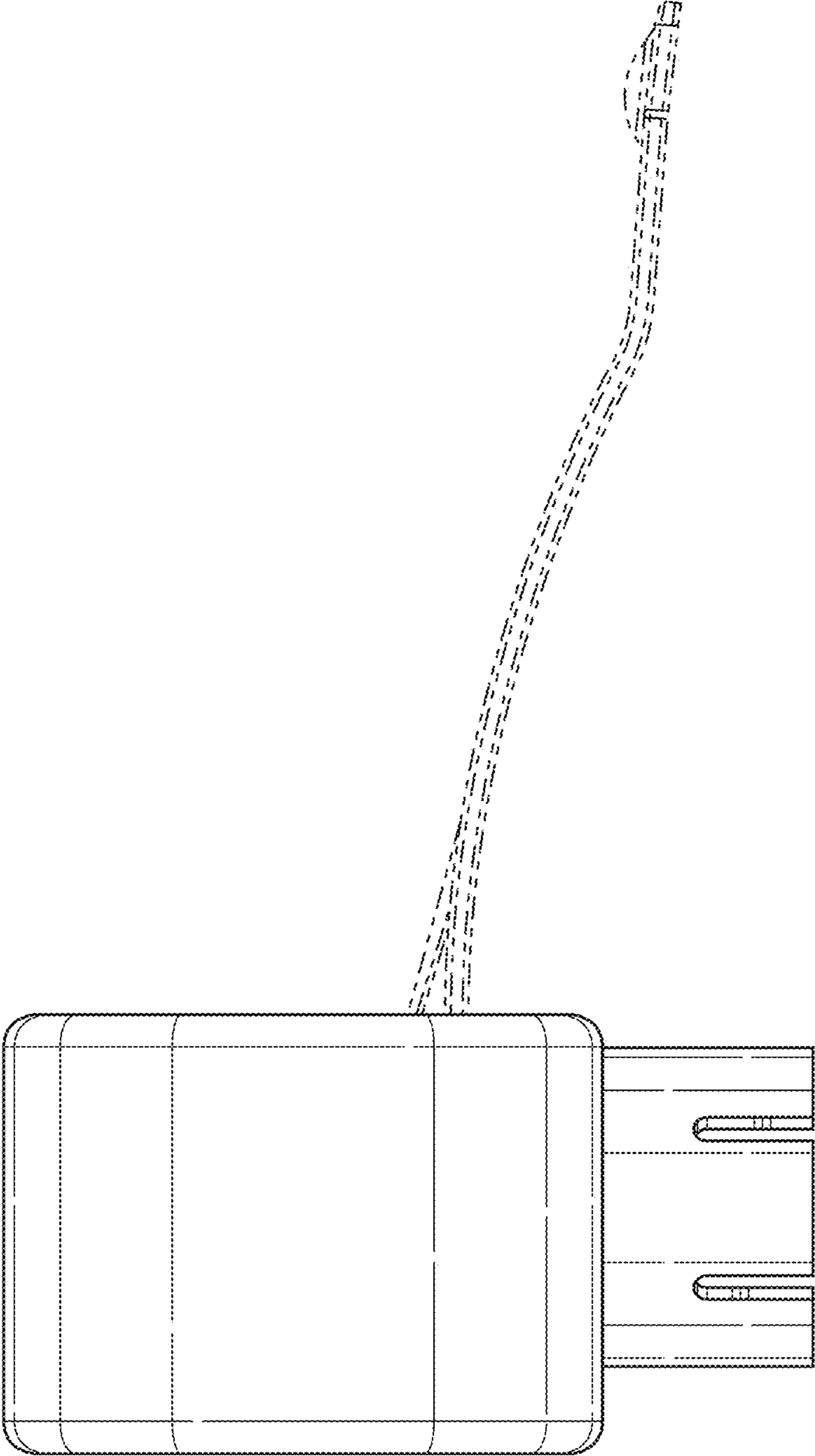


FIG. 6

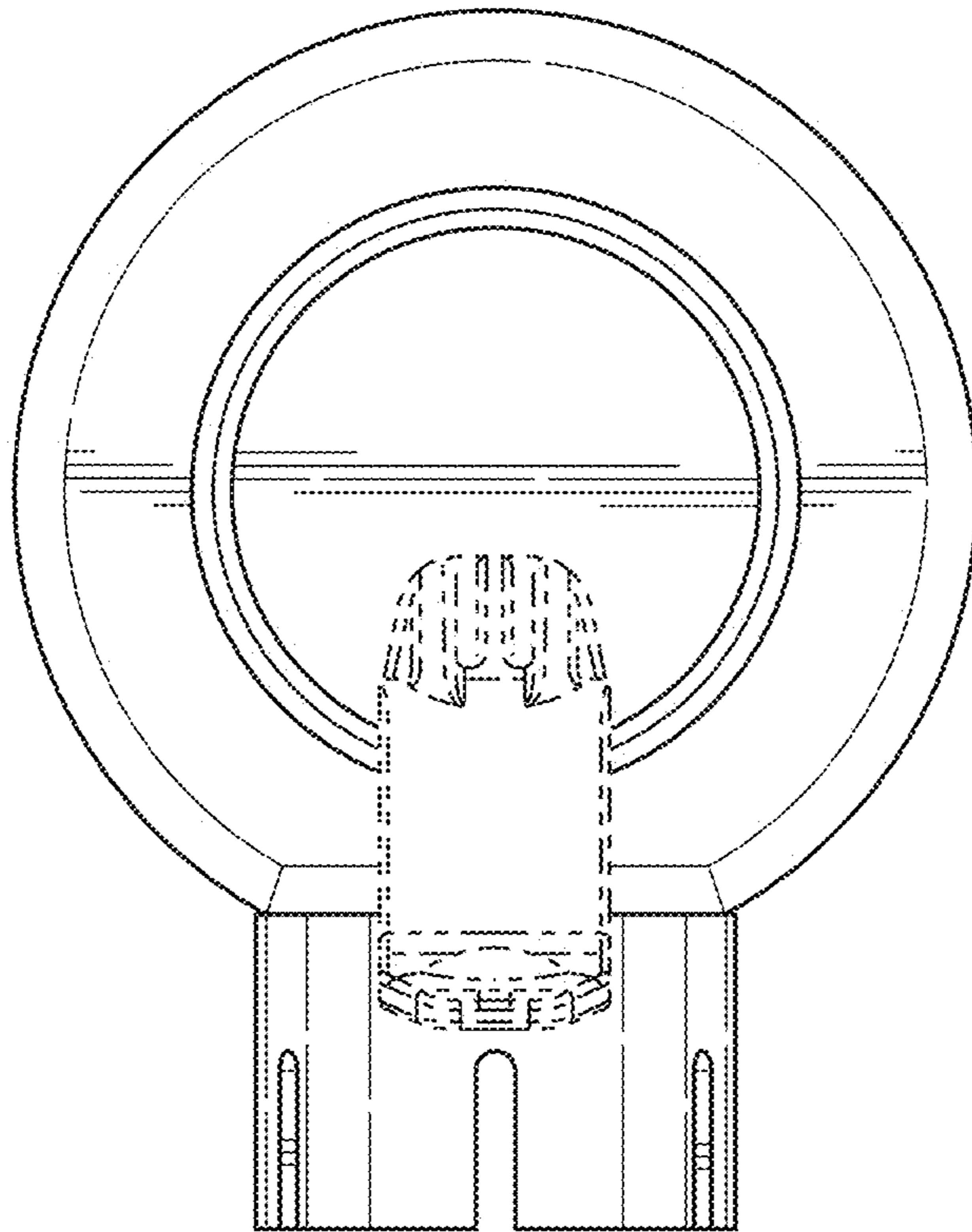


FIG. 7

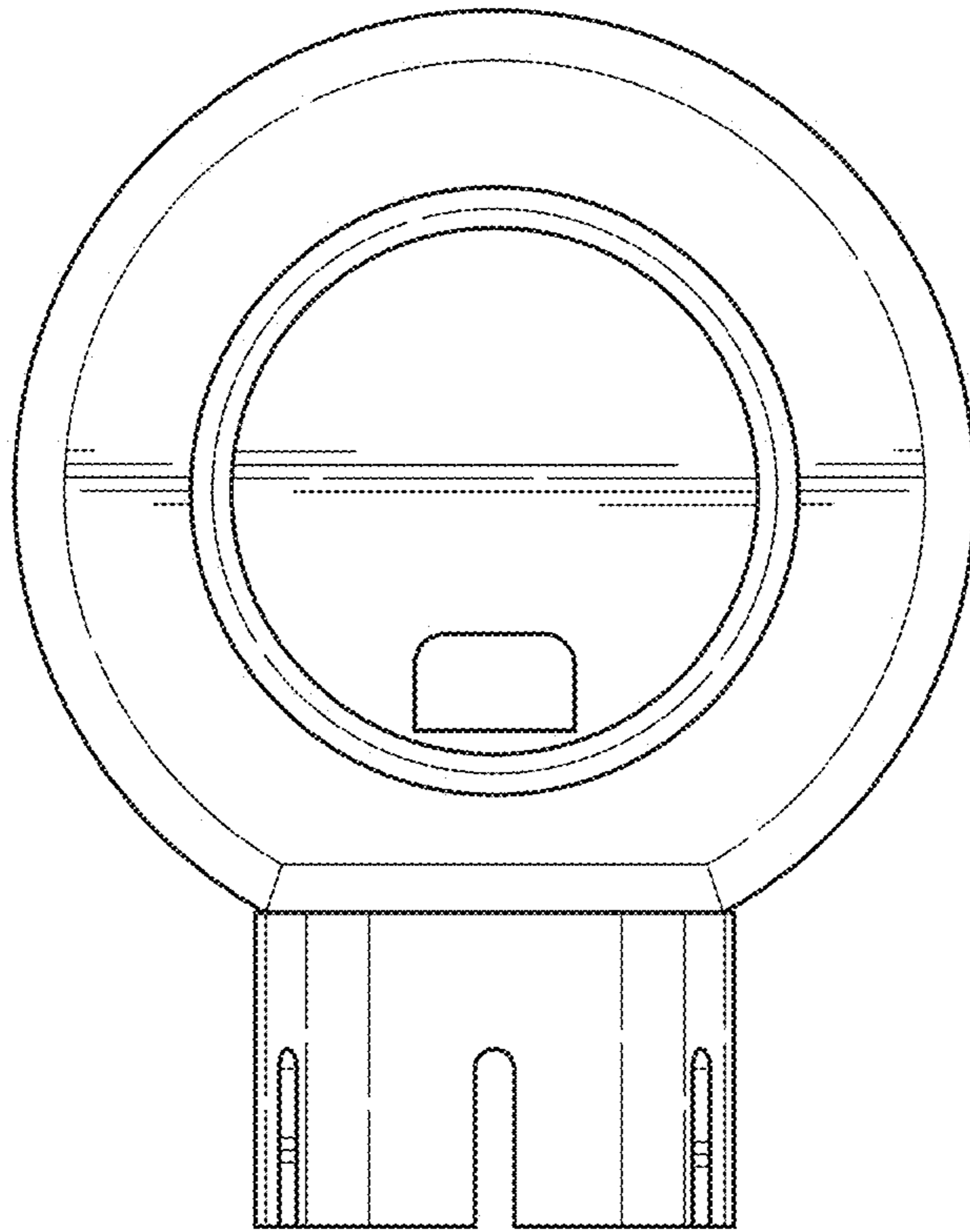


FIG. 8

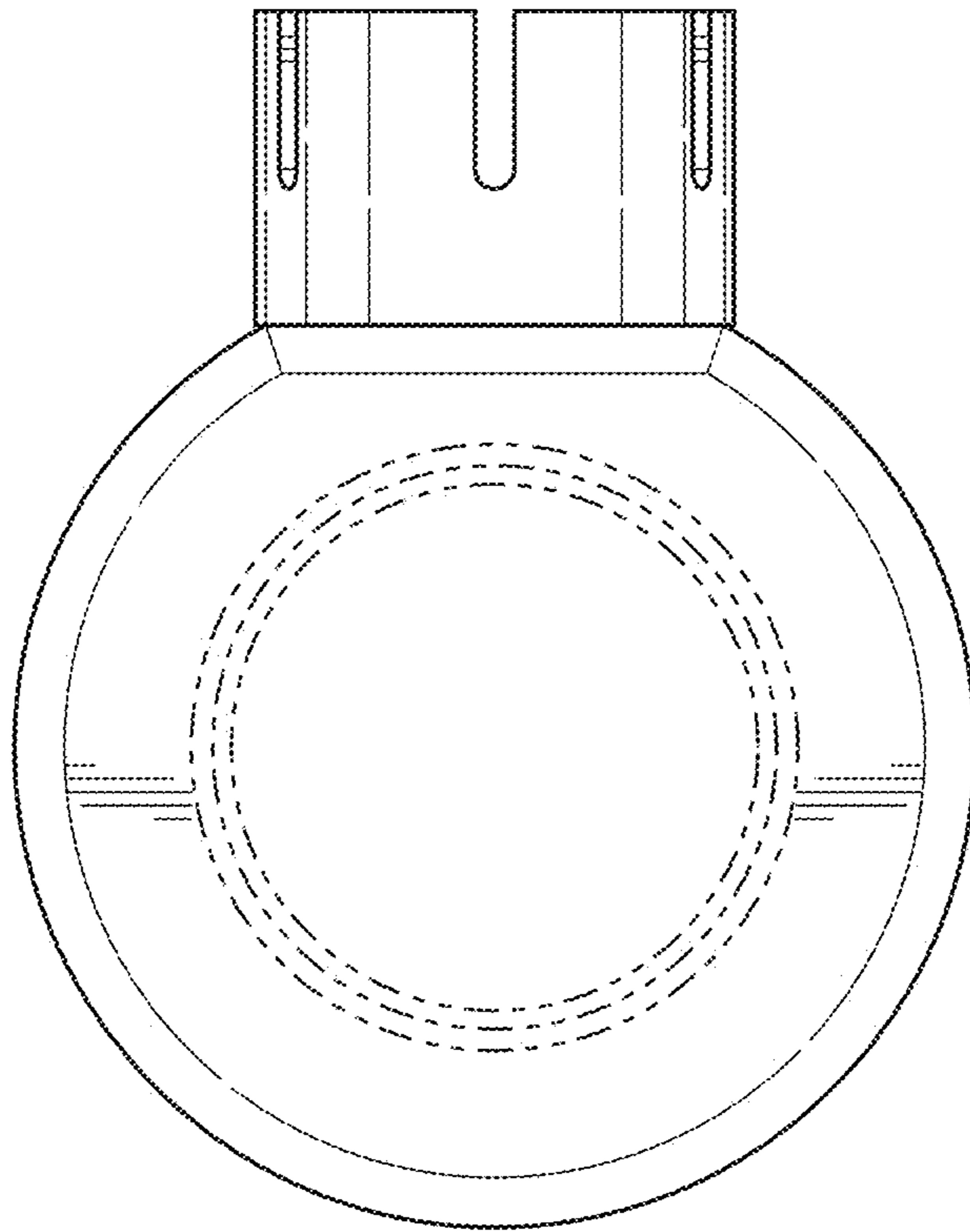


FIG. 9