



US00D901708S

(12) **United States Design Patent** (10) **Patent No.:** **US D901,708 S**  
**Jones et al.** (45) **Date of Patent:** **\*\* Nov. 10, 2020**

(54) **CARTRIDGE**

(56) **References Cited**

(71) Applicant: **Meso Scale Technologies, LLC.**,  
Rockville, MD (US)  
(72) Inventors: **Eric Jones**, Frederick, MD (US);  
**Manish Kochar**, Rockville, MD (US)  
(73) Assignee: **MESO SCALE TECHNOLOGIES,**  
**LLC.**, Rockville, MD (US)  
(\*\*) Term: **15 Years**  
(21) Appl. No.: **29/670,372**  
(22) Filed: **Nov. 15, 2018**

U.S. PATENT DOCUMENTS

D347,067 S \* 5/1994 Shartle ..... D24/223  
D438,631 S \* 3/2001 Miller ..... D24/216  
D491,273 S \* 6/2004 Biegler ..... D24/216  
8,328,422 B2 \* 12/2012 Lin ..... F16C 29/0609  
384/43  
D706,930 S \* 6/2014 Lin ..... D24/216  
D733,313 S \* 6/2015 Kouge ..... D24/225  
D739,553 S \* 9/2015 Yang ..... D24/232  
D771,834 S \* 11/2016 Leaver ..... D24/224  
D772,427 S \* 11/2016 Leaver ..... D24/224  
D775,344 S \* 12/2016 Wu ..... D24/162  
2011/0293488 A1 \* 12/2011 Nichols ..... B01L 3/50853  
422/500  
2015/0004680 A1 \* 1/2015 Song ..... B01L 3/502715  
435/287.2

**Related U.S. Application Data**

(62) Division of application No. 29/571,987, filed on Jul.  
22, 2016, now Pat. No. Des. 836,793.  
(51) **LOC (12) Cl.** ..... **24-01**  
(52) **U.S. Cl.**  
USPC ..... **D24/216; D24/224**  
(58) **Field of Classification Search**  
USPC ..... D24/216–232, 107, 108, 119, 121, 162,  
D24/169, 186, 201, 233, 234; D10/81;  
422/553; 435/297.5, 305.3  
CPC ..... G01N 2035/00306; G01N 2035/00326;  
G01N 2035/00336; G01N 2035/00029;  
G01N 2035/0401; G01N 2035/0403;  
G01N 2035/0405; G01N 2035/00019;  
G01N 2030/027; G01N 35/08; G01N  
35/02; G01N 35/021; G01N 35/026;  
G01N 35/028; G01N 35/04; G01N 1/22;  
G01N 1/2205; G01N 1/2273; G01N  
33/497; G01N 33/4977; B01L 2300/0809;  
B01L 2300/0816; B01L 2300/0822; B01L  
2300/0832; B01L 2300/0806; B01L  
2300/0861; B01L 2300/0829; B01L  
3/5085; B01L 3/50853

See application file for complete search history.

\* cited by examiner

*Primary Examiner* — Lilyana Bekic  
*Assistant Examiner* — Mary Shannon Malley  
(74) *Attorney, Agent, or Firm* — Scully, Scott, Murphy &  
Presser, P.C.

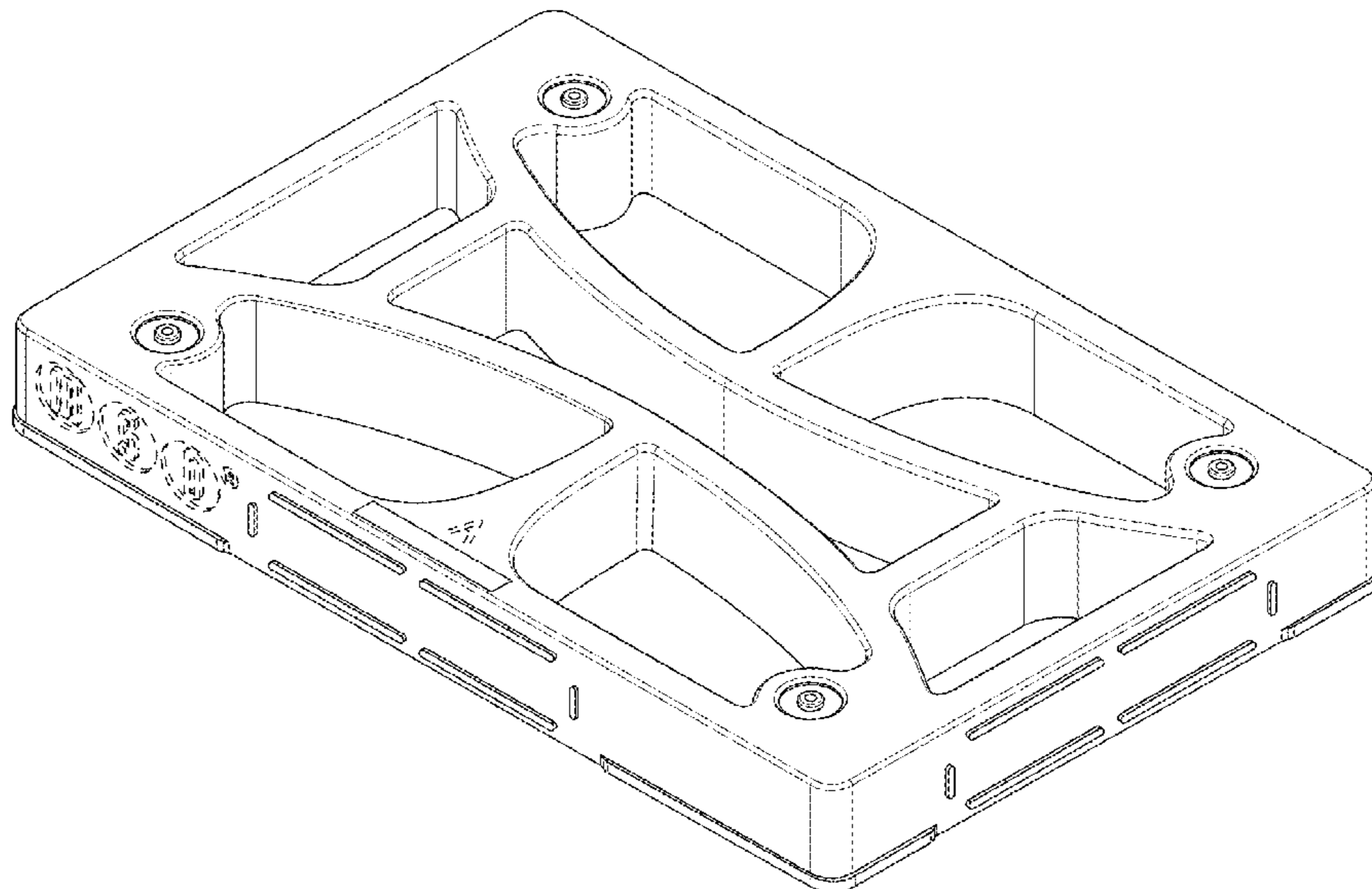
(57) **CLAIM**

The ornamental design for a cartridge, as shown and  
described.

**DESCRIPTION**

FIG. 1 is a perspective view of the cartridge showing our  
new and ornamental design;  
FIG. 2 is a side view thereof;  
FIG. 3 is an alternate side view thereof;  
FIG. 4 is a top view thereof; and,  
FIG. 5 is a bottom view thereof.  
The broken lines show portions of the cartridge that form no  
part of the claimed design.

**1 Claim, 3 Drawing Sheets**



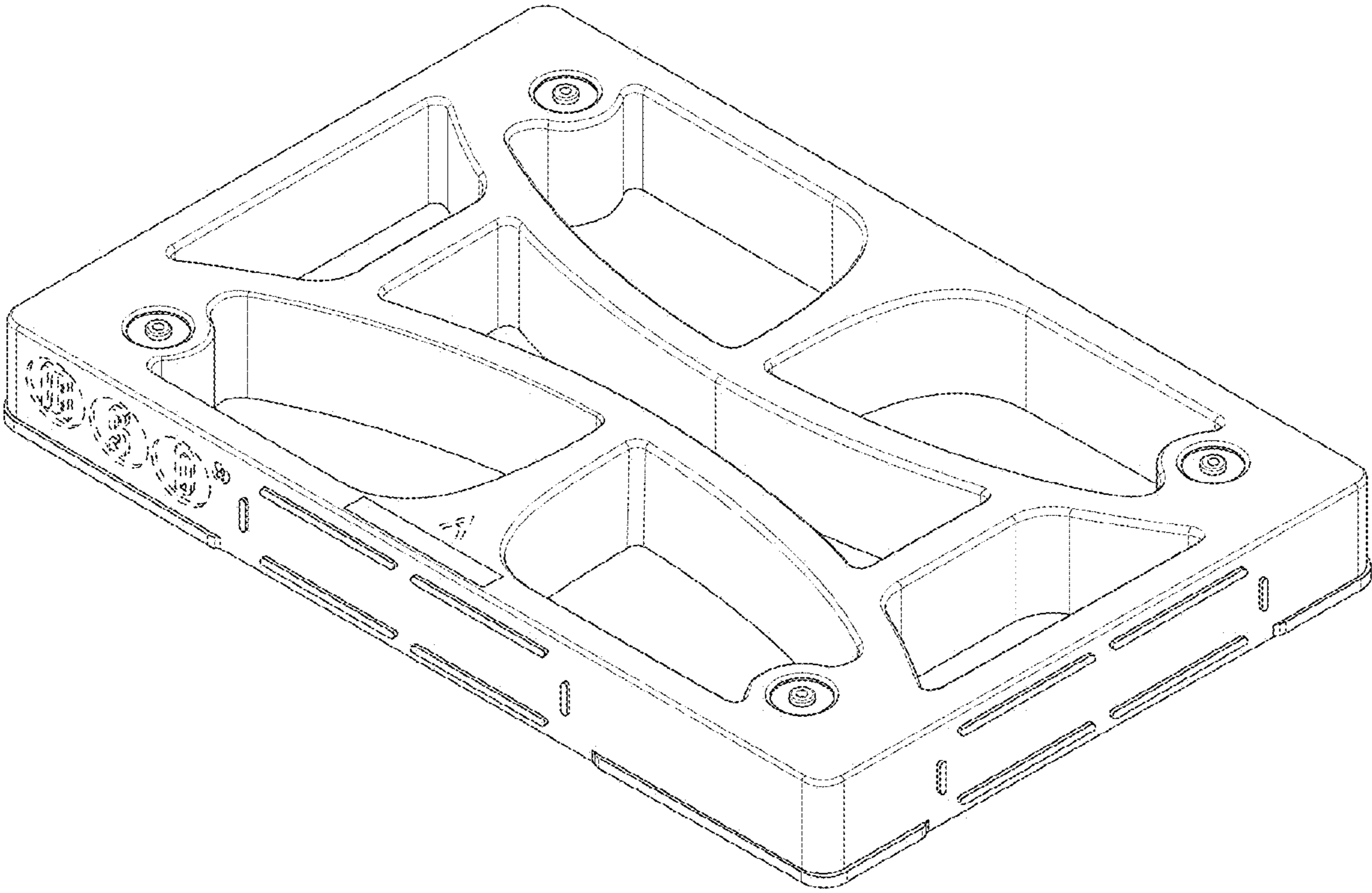


FIG. 1

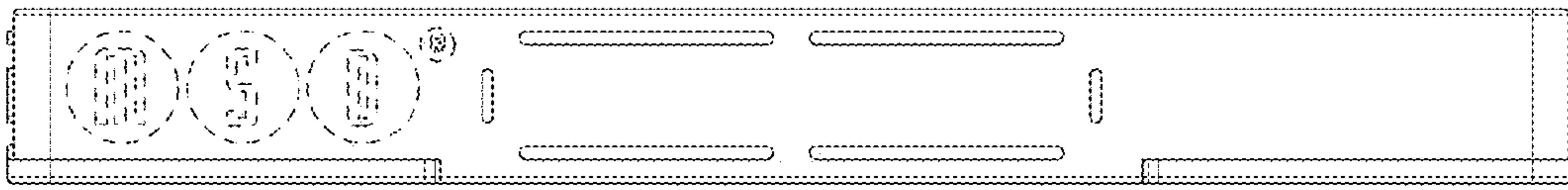


FIG. 2

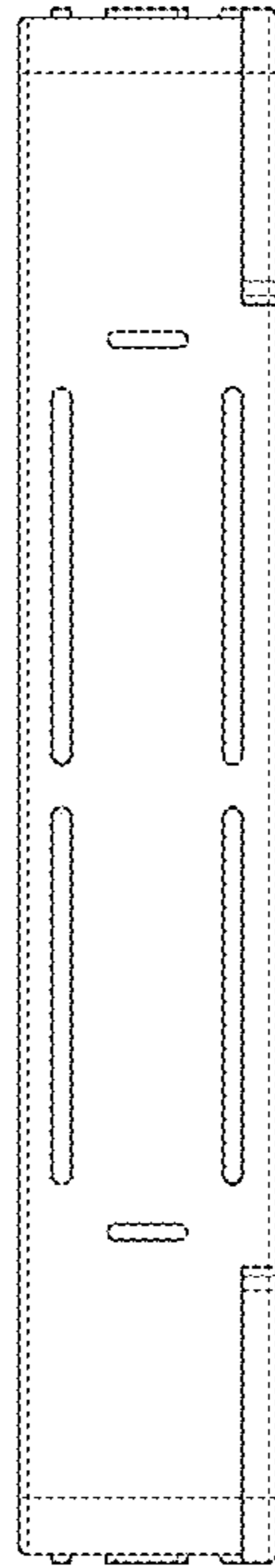


FIG. 3

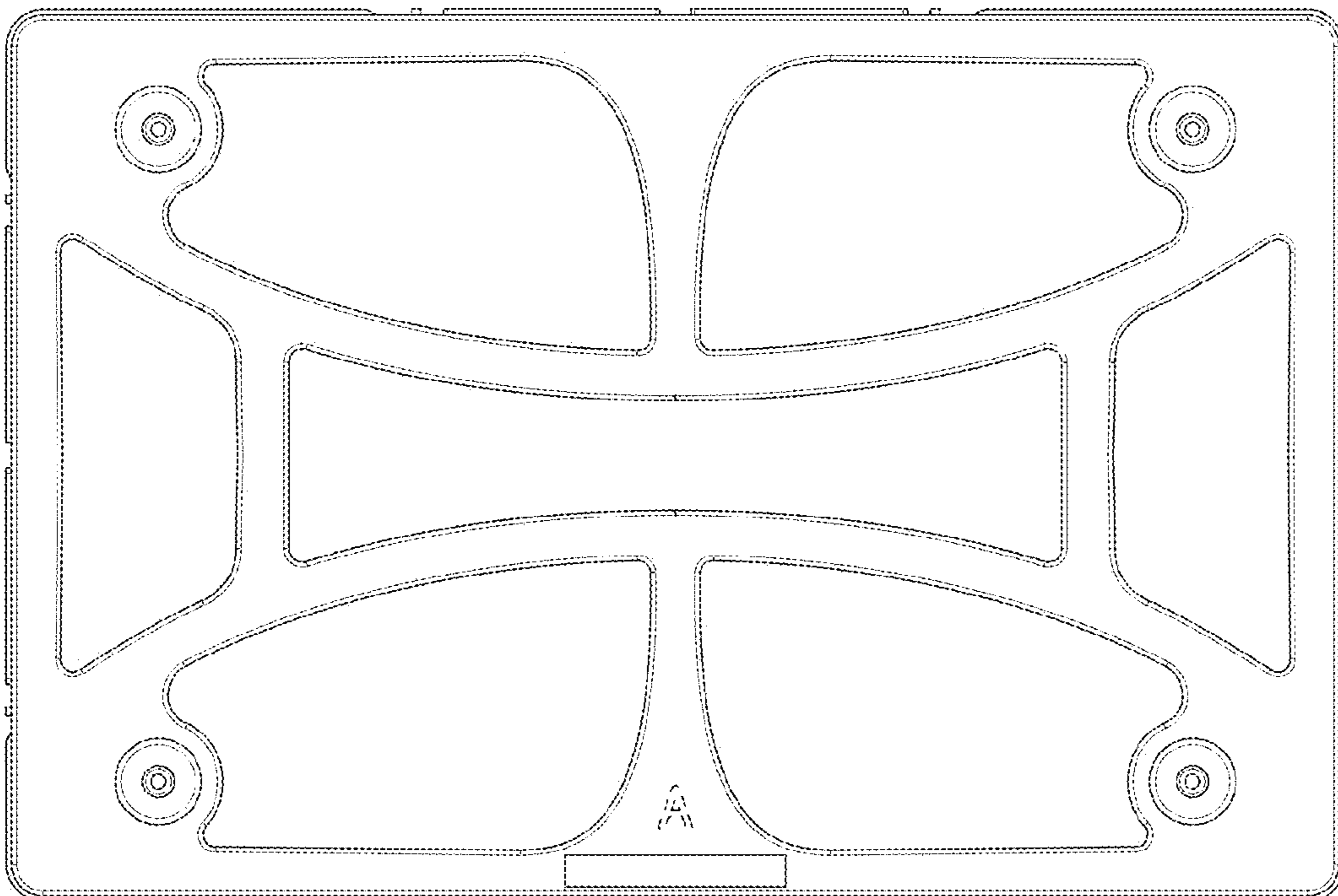


FIG. 4

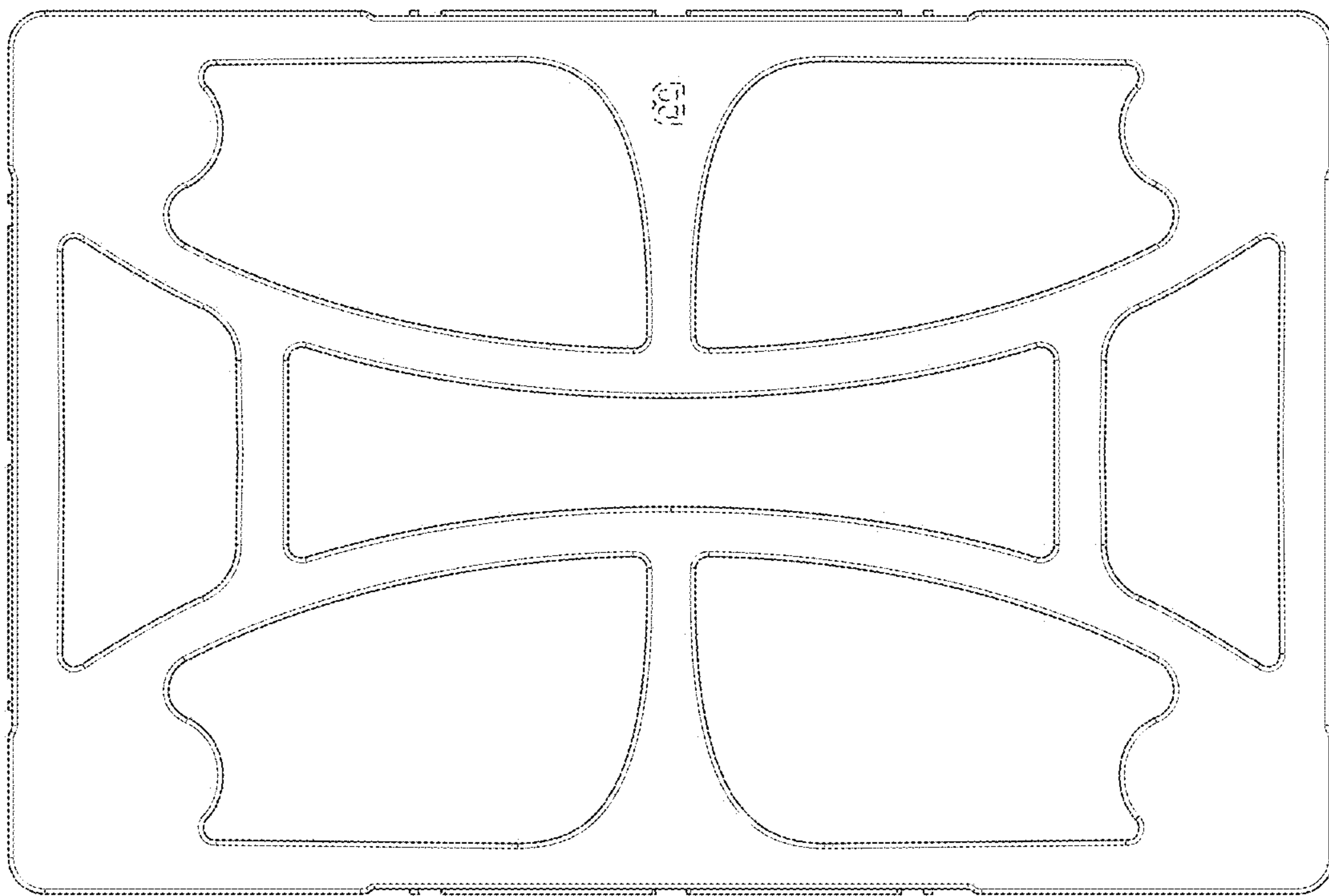


FIG. 5