



US00D901704S

(12) **United States Design Patent**  
**Huang**

(10) **Patent No.:** **US D901,704 S**

(45) **Date of Patent:** **\*\* Nov. 10, 2020**

- (54) **EYE ENERGIZING DEVICE**
- (71) Applicant: **Shenzhen Bosidi Technology Co., Ltd.**, Shenzhen (CN)
- (72) Inventor: **Guoli Huang**, Fujian (CN)
- (\*\*) Term: **15 Years**
- (21) Appl. No.: **29/684,089**
- (22) Filed: **Mar. 19, 2019**
- (51) **LOC (12) Cl.** ..... **28-03**
- (52) **U.S. Cl.**  
USPC ..... **D24/214**
- (58) **Field of Classification Search**  
USPC ..... 132/317, 318, 320; 401/202, 205, 243;  
601/128-131, 134-137, 19, 27, 28-32,  
601/46, 48, 52, DIG. 12,  
601/DIG. 15-DIG. 17; D19/115, 187;  
D24/141, 200, 211-215; D28/7, 88  
CPC ..... A61H 7/003; A61H 39/04; A61H 7/007;  
A61H 2015/0042; A61H 23/0263  
See application file for complete search history.

- 5,816,270 A \* 10/1998 Nadel ..... A45D 34/06  
132/320
- D404,125 S \* 1/1999 Weinstein ..... D24/119
- D410,110 S \* 5/1999 Roland ..... D28/7
- D417,033 S \* 11/1999 Sachs ..... D28/7
- D487,164 S \* 2/2004 Denton ..... D28/7
- D498,022 S \* 11/2004 Hanefeld ..... D28/7
- D502,288 S \* 2/2005 Longoria ..... D28/7
- D502,568 S \* 3/2005 Longoria ..... D28/7
- D503,828 S \* 4/2005 Hodge ..... D28/7

(Continued)

**OTHER PUBLICATIONS**

Ebay, "Philips\_ActivEyes Eye Energizing Device", Jan. 14, 2020.  
<https://www.ebay.com.au/itm/Philips-MS3020-Gold-Black-ActivEyes-Eye-Energizing-Device-Eye-Care-Massage-/183933676852>. Show on p. 1. (Year: 2020).\*

*Primary Examiner* — Cynthia Ramirez  
*Assistant Examiner* — Michael A Maharajh  
(74) *Attorney, Agent, or Firm* — Prakash Nama; Global IP Services, PLLC

(57) **CLAIM**

The ornamental design for an eye energizing device, as shown and described.

**DESCRIPTION**

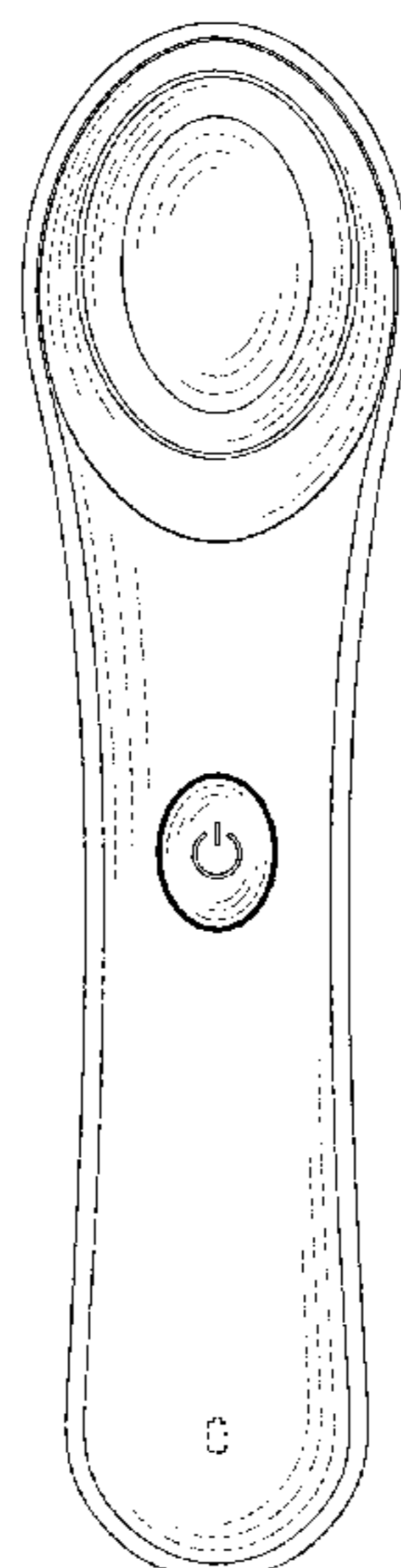
FIG. 1 is a front elevational view of an eye energizing device, showing my new design;  
FIG. 2 is a rear elevational view thereof;  
FIG. 3 is a left side view thereof;  
FIG. 4 is a right side view thereof;  
FIG. 5 is a top plan view shown at an enlarged scale thereof;  
FIG. 6 is a bottom plan view shown at an enlarged scale thereof; and,  
FIG. 7 is a perspective view thereof.  
The broken lines shown in figures are for the purpose of illustrating portions of the eye energizing device, which form no part of the claimed design.

**1 Claim, 6 Drawing Sheets**

(56) **References Cited**

**U.S. PATENT DOCUMENTS**

- 1,782,005 A \* 11/1930 Grison ..... A61H 7/003  
601/18
- D127,824 S \* 6/1941 Garas ..... D24/211
- D211,549 S \* 6/1968 Christopher ..... D24/211
- D268,524 S \* 4/1983 D'Addio ..... D24/211
- 4,550,718 A \* 11/1985 Kaeser ..... A61H 15/0092  
601/129
- 4,632,095 A \* 12/1986 Libin ..... A61H 23/02  
601/135
- 4,989,613 A \* 2/1991 Finkenberg ..... A61B 5/4504  
600/552
- D315,408 S \* 3/1991 Duk ..... D24/211
- D329,290 S \* 9/1992 Geneve ..... D24/211
- D342,138 S \* 12/1993 Wollman ..... D24/214
- D361,404 S \* 8/1995 Haas ..... D24/133



(56)

References Cited

U.S. PATENT DOCUMENTS

D510,628 S *	10/2005	Talbot	.....	D24/214	D806,258 S *	12/2017	Sedic	.....	D24/200
D540,952 S *	4/2007	Colvin	.....	D24/215	D824,039 S *	7/2018	Hetzel	.....	D24/215
D623,310 S *	9/2010	Cheng	.....	D24/211	D846,391 S *	4/2019	Duquet	.....	D28/7
D659,843 S *	5/2012	Wang	.....	D24/200	D847,360 S *	4/2019	Levi	.....	D24/214
D675,745 S *	2/2013	Nan	.....	D24/215	D854,699 S *	7/2019	Peterson	.....	D24/214
D675,746 S *	2/2013	Nan	.....	D24/215	D857,911 S *	8/2019	Huang	.....	D24/215
D679,806 S *	4/2013	Davitt	.....	D28/7	2007/0038206 A1 *	2/2007	Altshuler	.....	A61B 18/203 606/20
D681,841 S *	5/2013	Scappaticci	.....	D24/215	2008/0015474 A1 *	1/2008	Quinn	.....	A61H 9/005 601/135
8,523,791 B2 *	9/2013	Castel	.....	A61F 7/00 601/15	2008/0319358 A1 *	12/2008	Lai	.....	A61H 39/04 601/134
D708,755 S *	7/2014	Kim	.....	D24/215	2012/0097183 A1 *	4/2012	Miller	.....	A45D 34/042 132/320
D716,466 S *	10/2014	Kanbar	.....	A61H 19/40 D24/215	2013/0158447 A1 *	6/2013	Shabazian	.....	A61H 23/0263 601/46
D716,467 S *	10/2014	Kanbar	.....	A61H 19/40 D24/215	2013/0253386 A1 *	9/2013	Nan	.....	A61H 19/34 601/46
D759,256 S *	6/2016	Chen	.....	D24/200	2014/0007362 A1 *	1/2014	Park	.....	A46B 13/008 15/22.1
D759,260 S *	6/2016	Topolovac	.....	D24/215	2014/0288364 A1 *	9/2014	St. Bernard	.....	A61H 19/34 600/38
D759,261 S *	6/2016	Son	.....	D24/215					
D765,870 S *	9/2016	Sedic	.....	D24/200					
D780,933 S *	3/2017	Uchida	.....	D24/200					
D799,711 S *	10/2017	Sedic	.....	D24/200					

\* cited by examiner

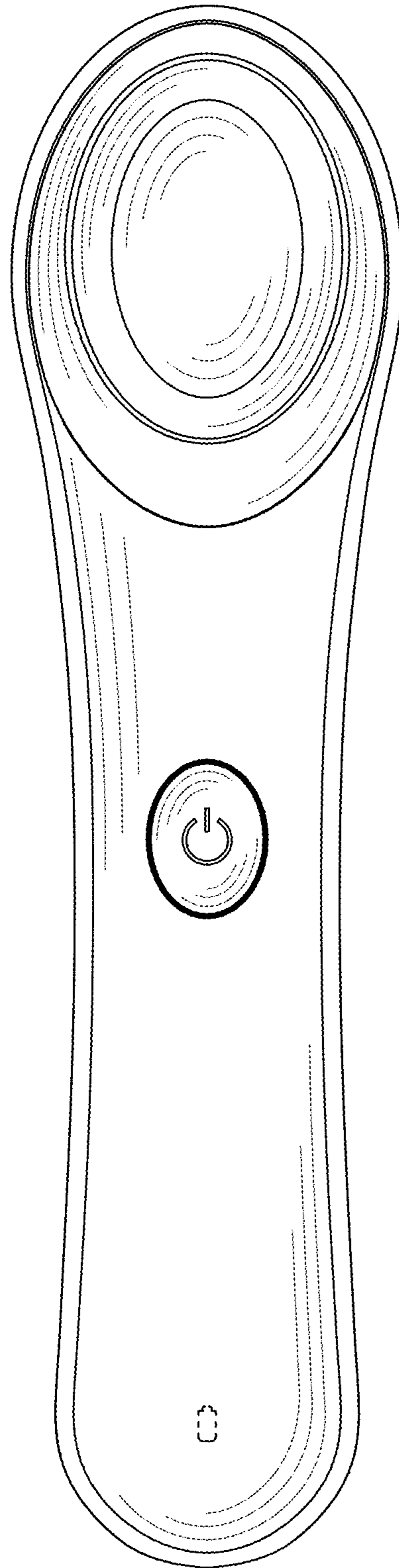


Fig. 1

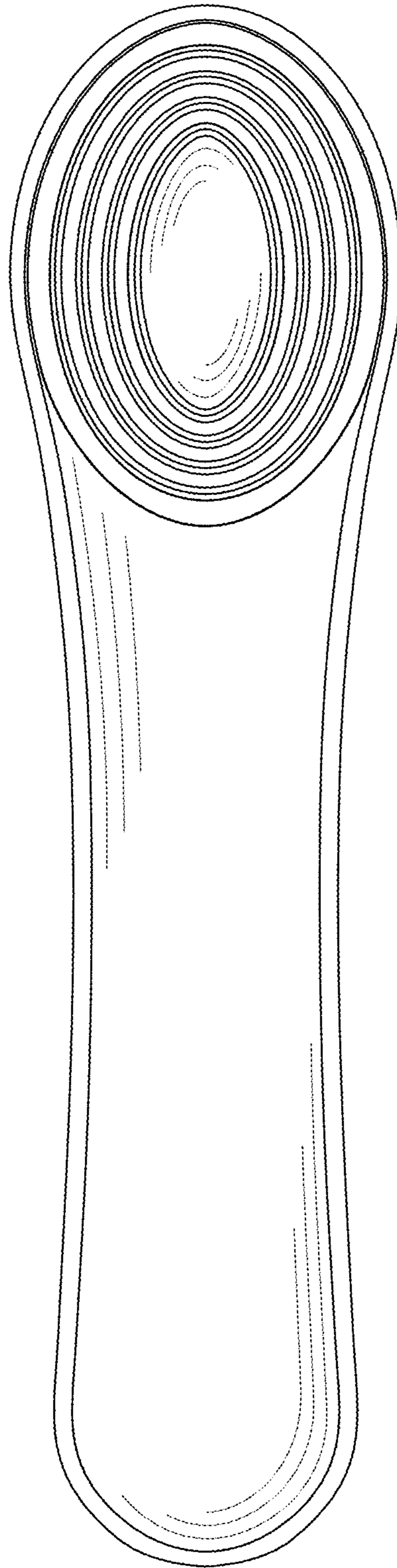


Fig. 2



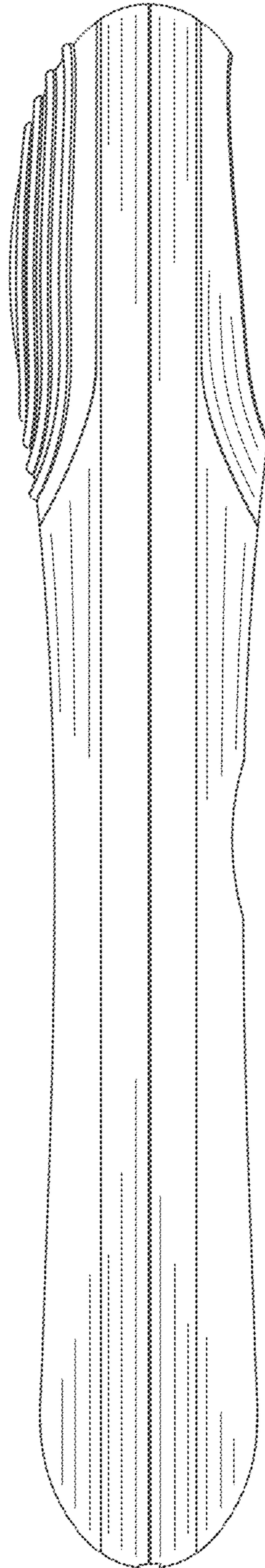


Fig. 3

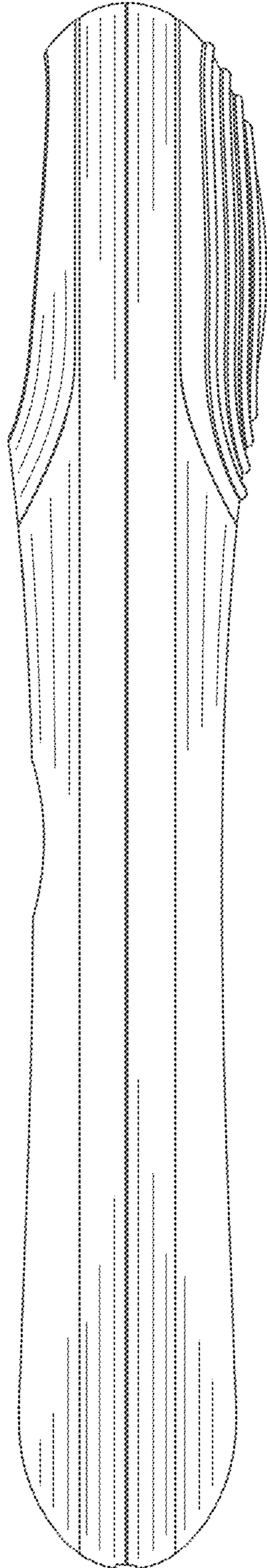


Fig. 4

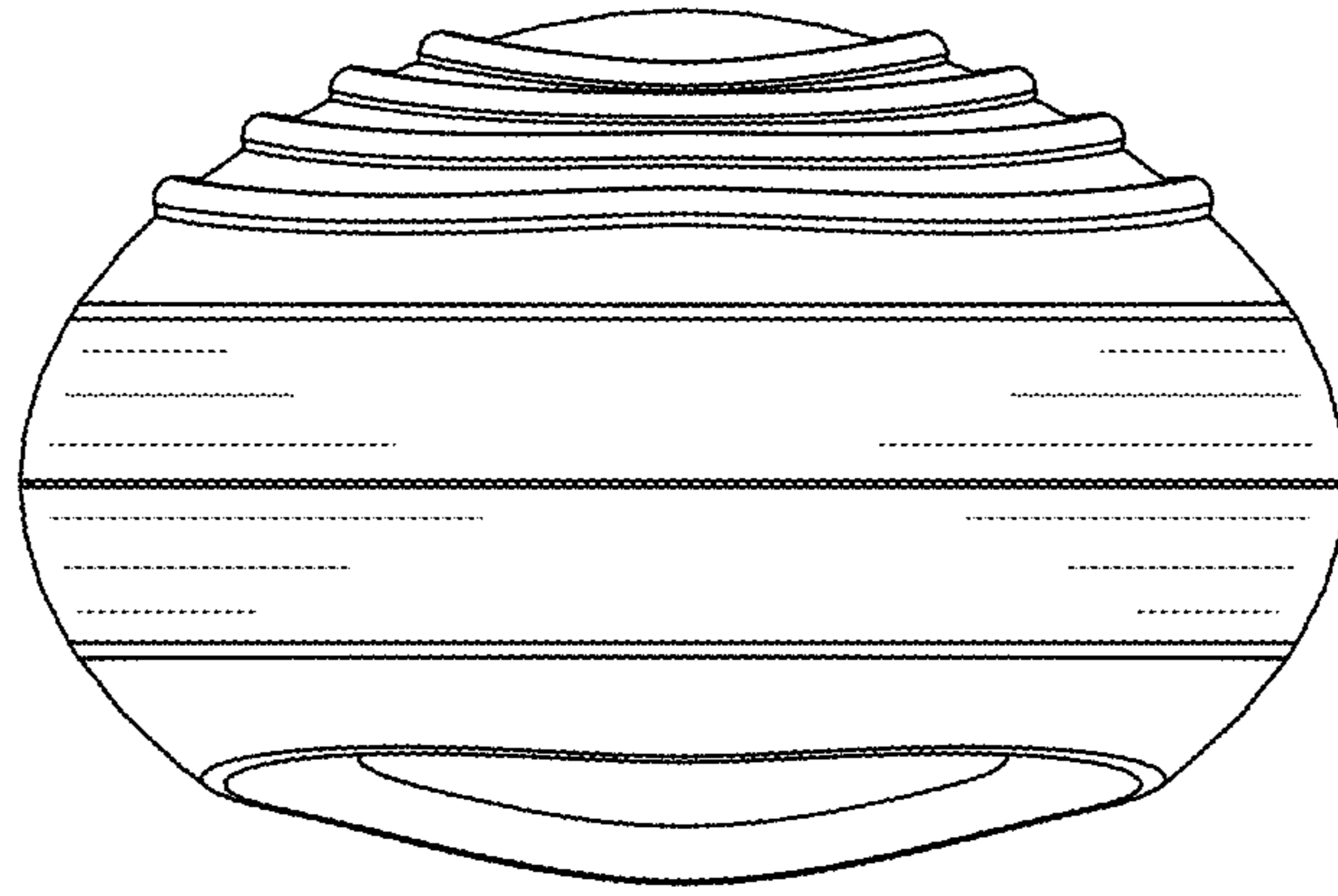


Fig. 5

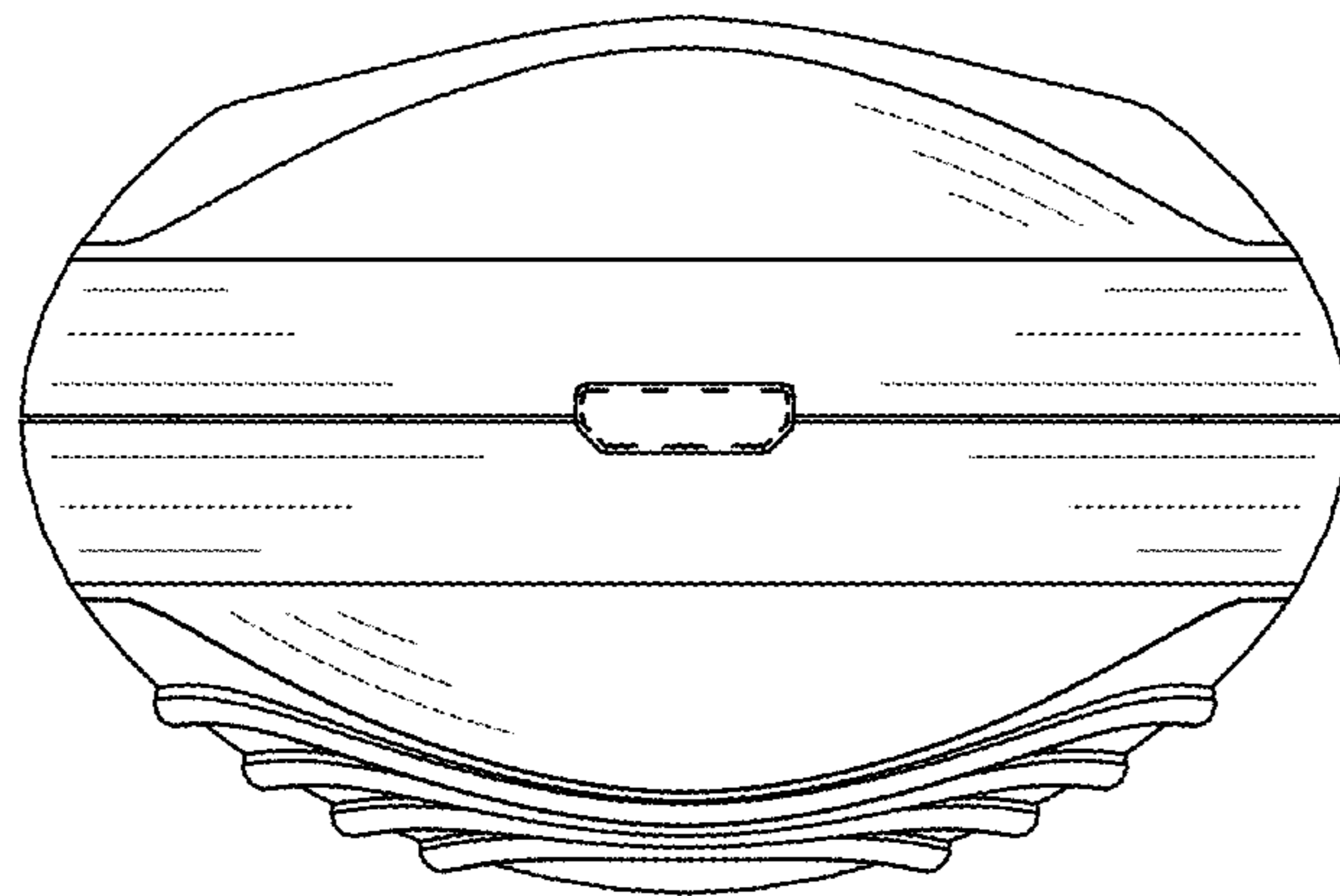


Fig. 6

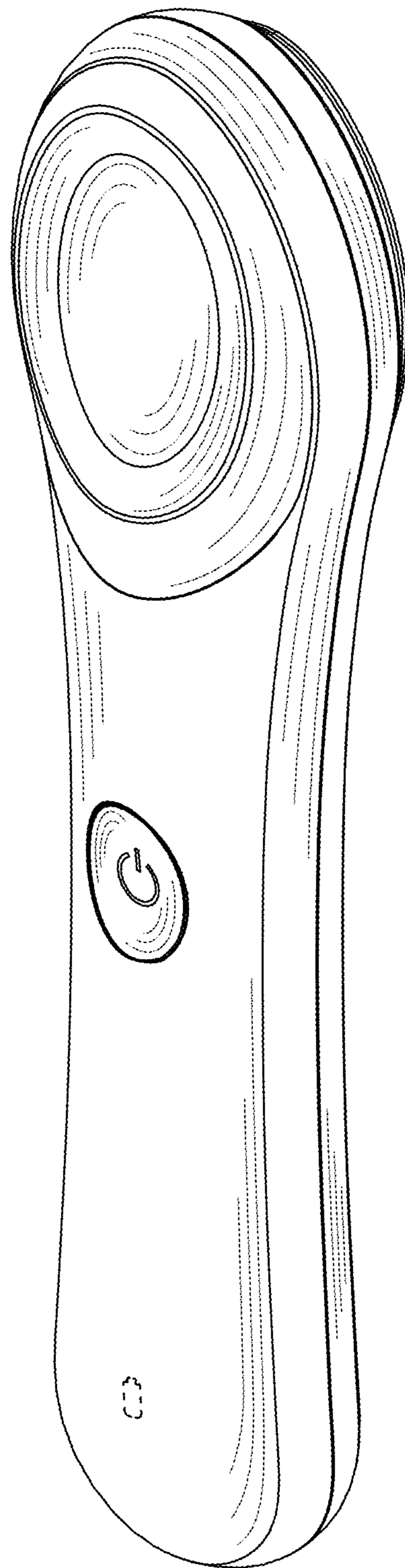


Fig. 7