



US00D901695S

(12) **United States Design Patent** (10) **Patent No.:** **US D901,695 S**
Zhou et al. (45) **Date of Patent:** **** Nov. 10, 2020**

(54) **PATIENT MONITOR**
(71) Applicant: **SHENZHEN MINDRAY BIO-MEDICAL ELECTRONICS CO., LTD.**, Shenzhen (CN)
(72) Inventors: **Wenhui Zhou**, Shenzhen (CN); **Zedong Li**, Shenzhen (CN); **Huan Zou**, Shenzhen (CN); **Lijuan He**, Shenzhen (CN); **Xiang Zhou**, Shenzhen (CN)

D697,214 S * 1/2014 Rosenfeldt D24/186
D706,239 S * 6/2014 Chen D14/186
D711,003 S * 8/2014 Chen D24/186
D711,004 S * 8/2014 Chen D24/186
D735,344 S * 7/2015 Weichert D24/186
9,633,497 B2 * 4/2017 Menzel A61B 90/90
D807,513 S * 1/2018 Eslava D24/186
D810,947 S * 2/2018 Larson D24/186
2019/0250664 A1 * 8/2019 Eslava A61B 5/002

(73) Assignee: **Shenzhen Mindray Bio-Medical Electronics Co., Ltd.**, Shenzhen (CN)

(**) Term: **15 Years**

(21) Appl. No.: **29/654,813**

(22) Filed: **Jun. 27, 2018**

(30) **Foreign Application Priority Data**

Jan. 26, 2018 (CN) 2018 3 0038259

(51) **LOC (12) Cl.** **24-01**

(52) **U.S. Cl.**
USPC **D24/186**

(58) **Field of Classification Search**
USPC D24/170, 177, 185, 186, 216–219, 225, D24/231–234; D10/81
CPC A61B 5/742; A61B 5/743; A61B 5/7425; A61B 5/6898; A61B 5/02405; A61B 5/02411; A61B 5/02427; A61B 5/02438; A61B 5/0002; A61B 5/04325
See application file for complete search history.

(56) **References Cited**

U.S. PATENT DOCUMENTS

D624,654 S * 9/2010 Shimizu D24/186
D635,681 S * 4/2011 Edwards D24/186

OTHER PUBLICATIONS

ePM Oct. 12, 2015, posted at mindray.com, no posting date, retrieved Dec. 17, 2019, online, URL: https://www.mindray.com/cn/product/ePM_10_12_15.html (Year: 2019).*

* cited by examiner

Primary Examiner — Lilyana Bekic

Assistant Examiner — Mary Shannon Malley

(74) *Attorney, Agent, or Firm* — Kory D. Christensen

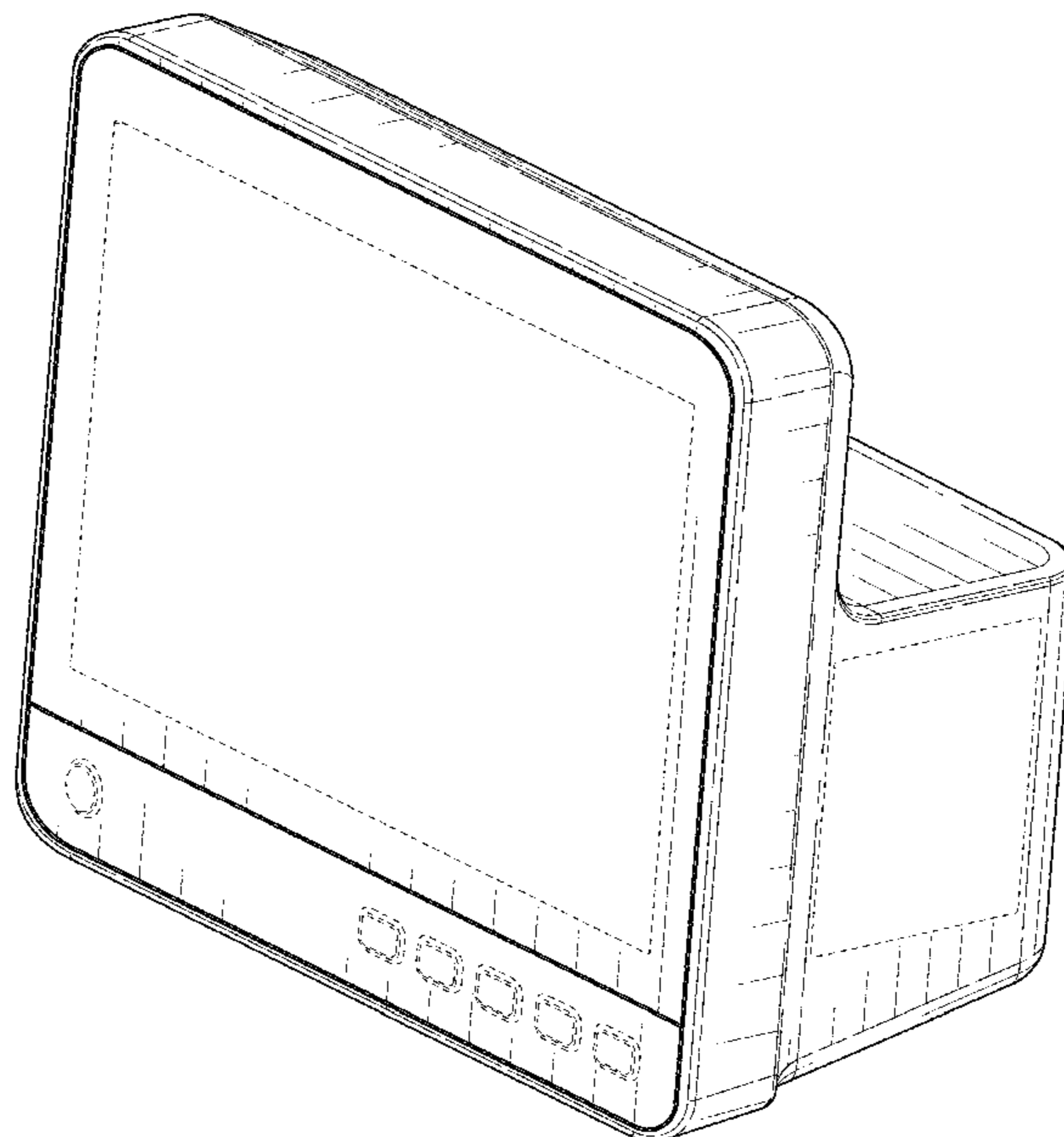
(57) **CLAIM**

We claim the ornamental design for a patient monitor, as shown and described.

DESCRIPTION

FIG. 1 is a front perspective view of a patient monitor, showing our new design;
FIG. 2 is a rear perspective view thereof;
FIG. 3 is a front elevational view thereof;
FIG. 4 is a rear elevational view thereof;
FIG. 5 is a left side elevational view thereof;
FIG. 6 is a right side elevational view thereof;
FIG. 7 is a top plan view thereof; and,
FIG. 8 is a bottom plan view thereof.
The broken lines depict portions of the patient monitor that form no part of the claimed design.

1 Claim, 5 Drawing Sheets



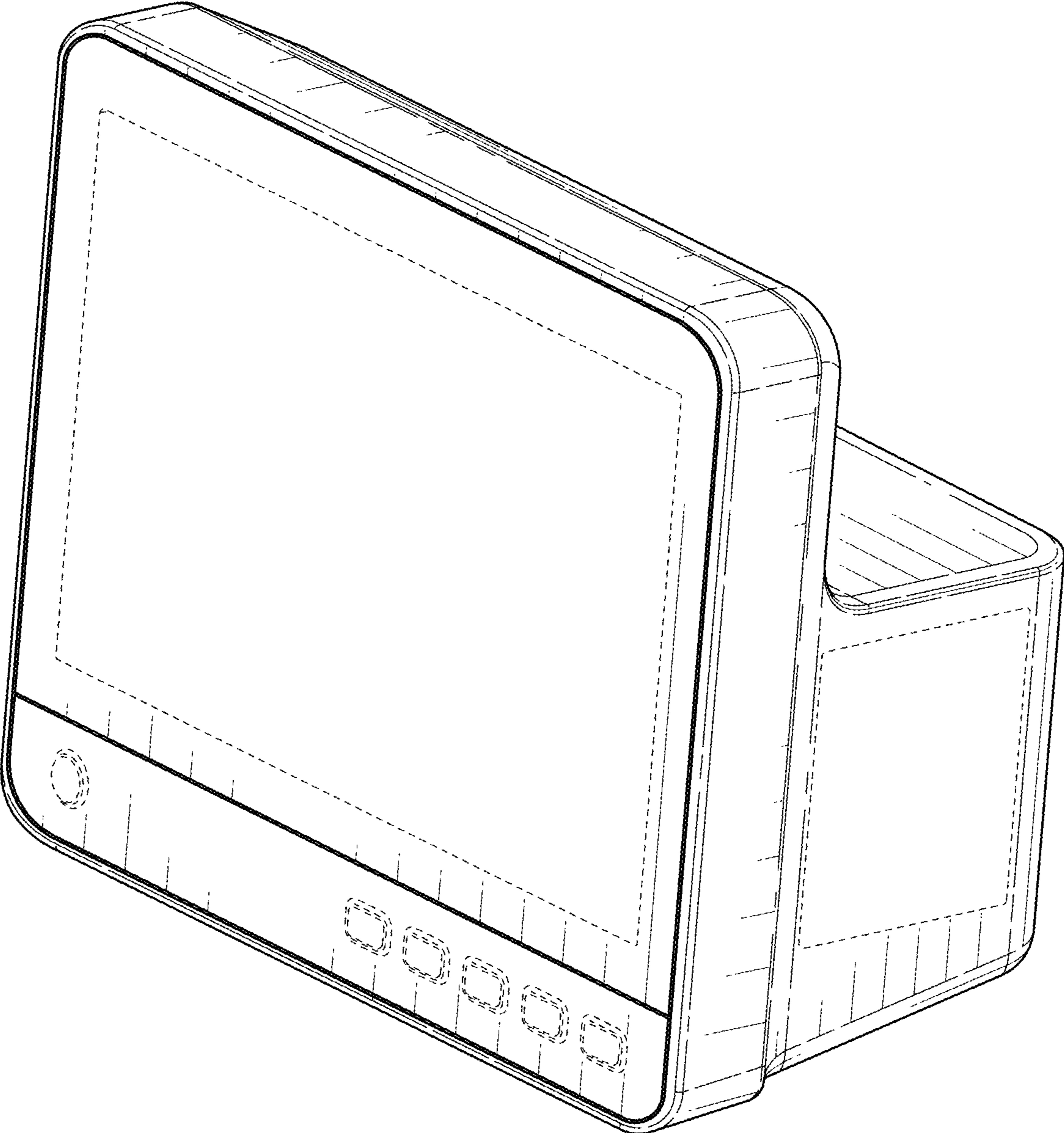


FIG. 1

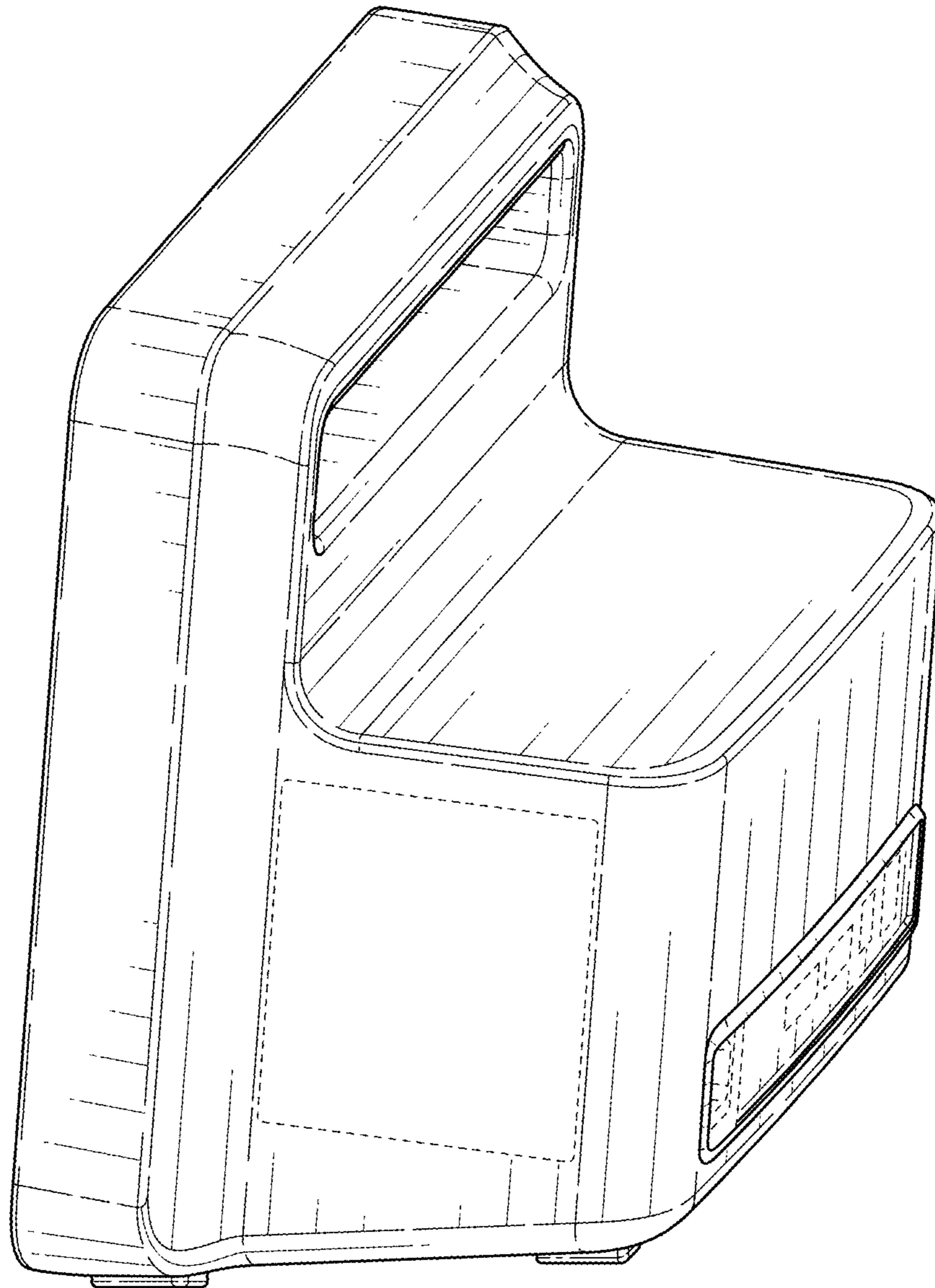


FIG. 2

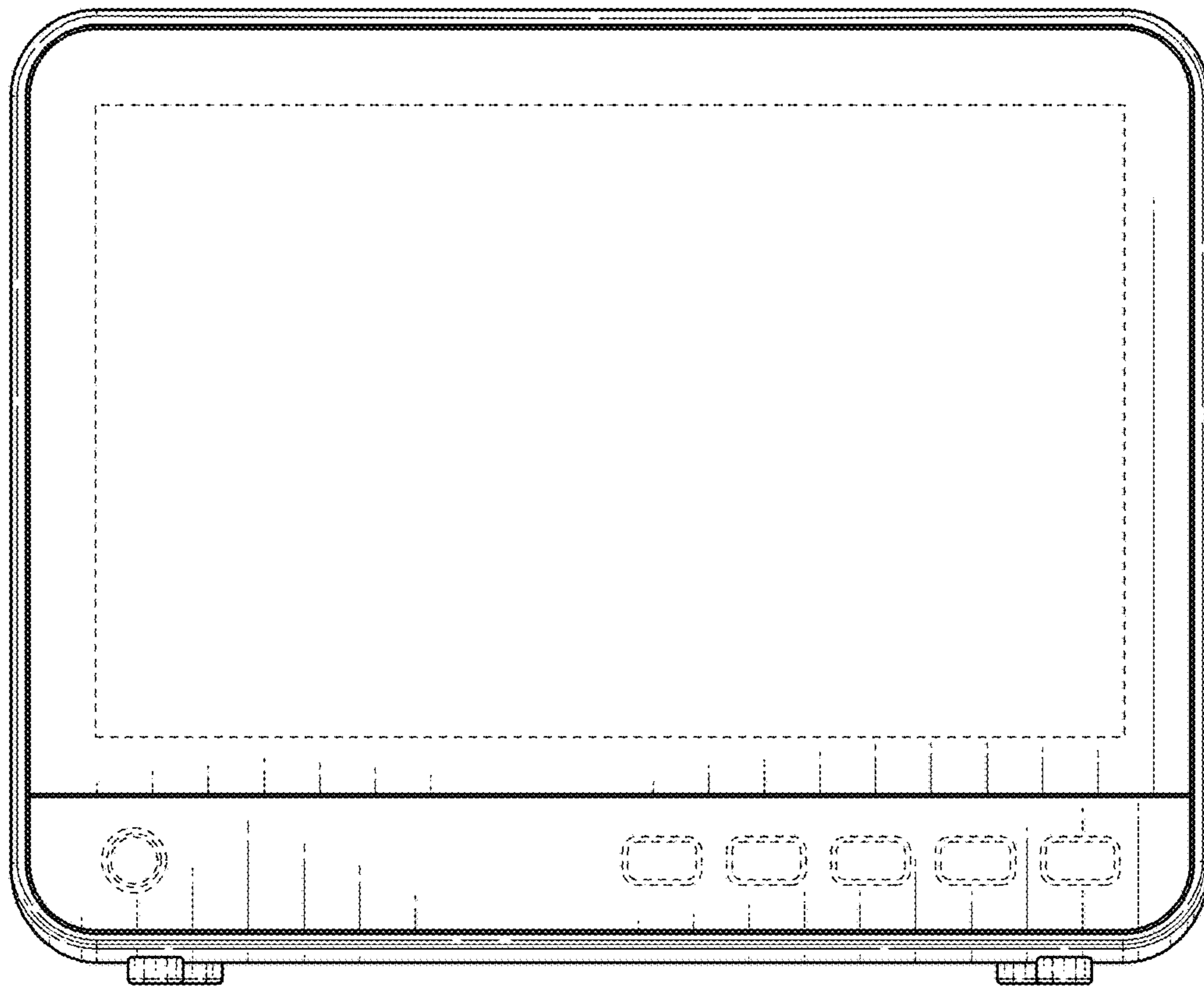


FIG. 3

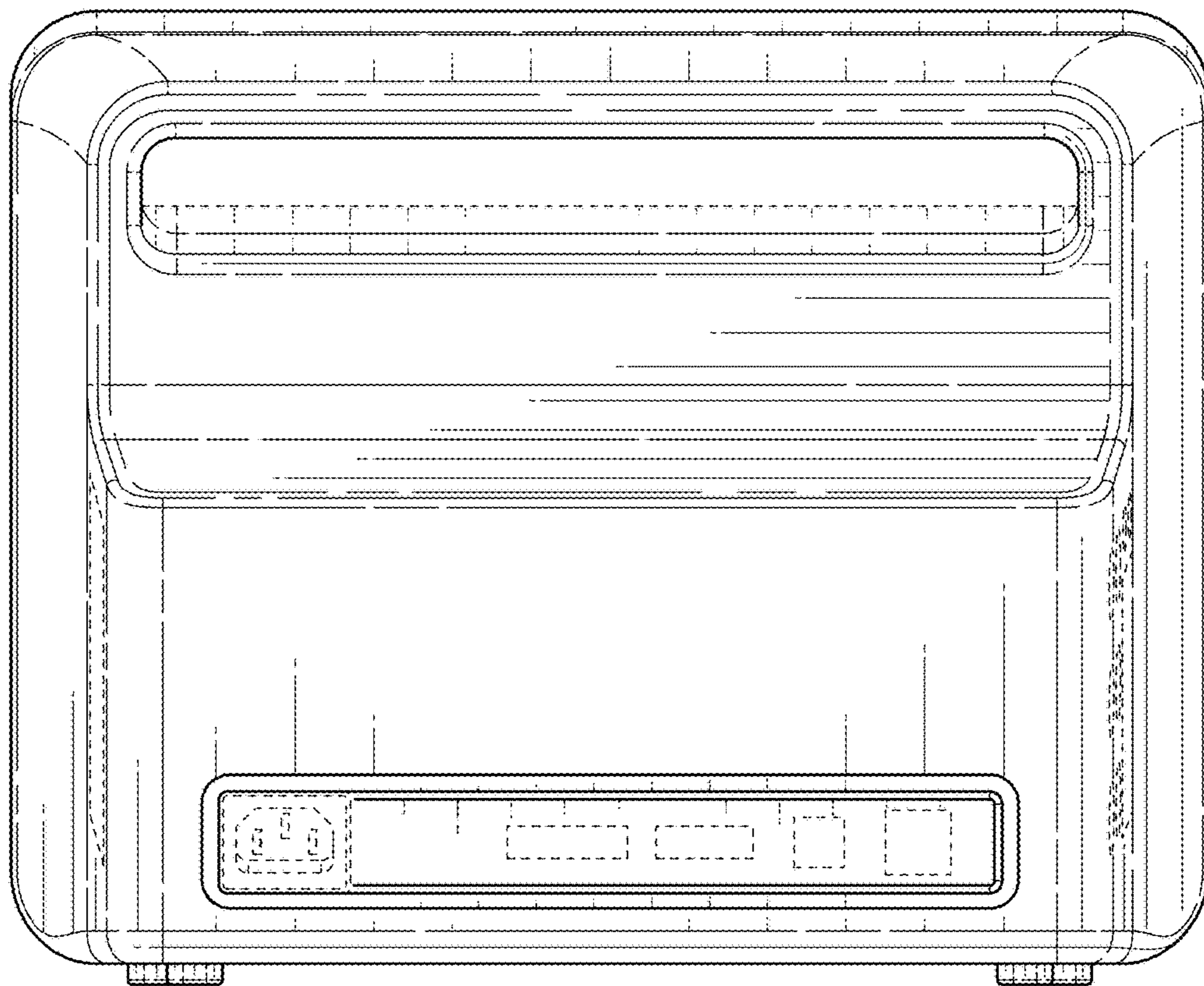


FIG. 4

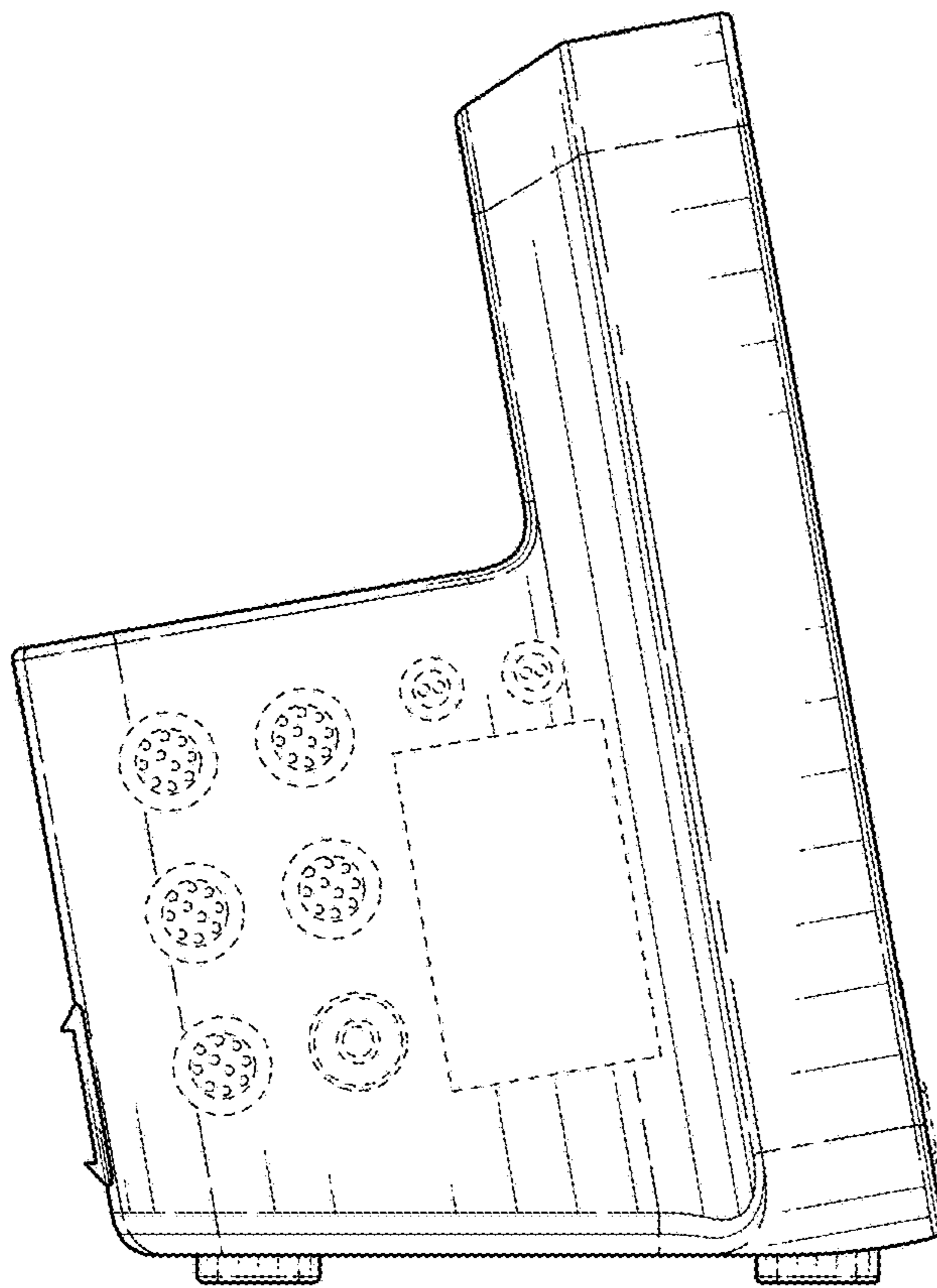


FIG. 5

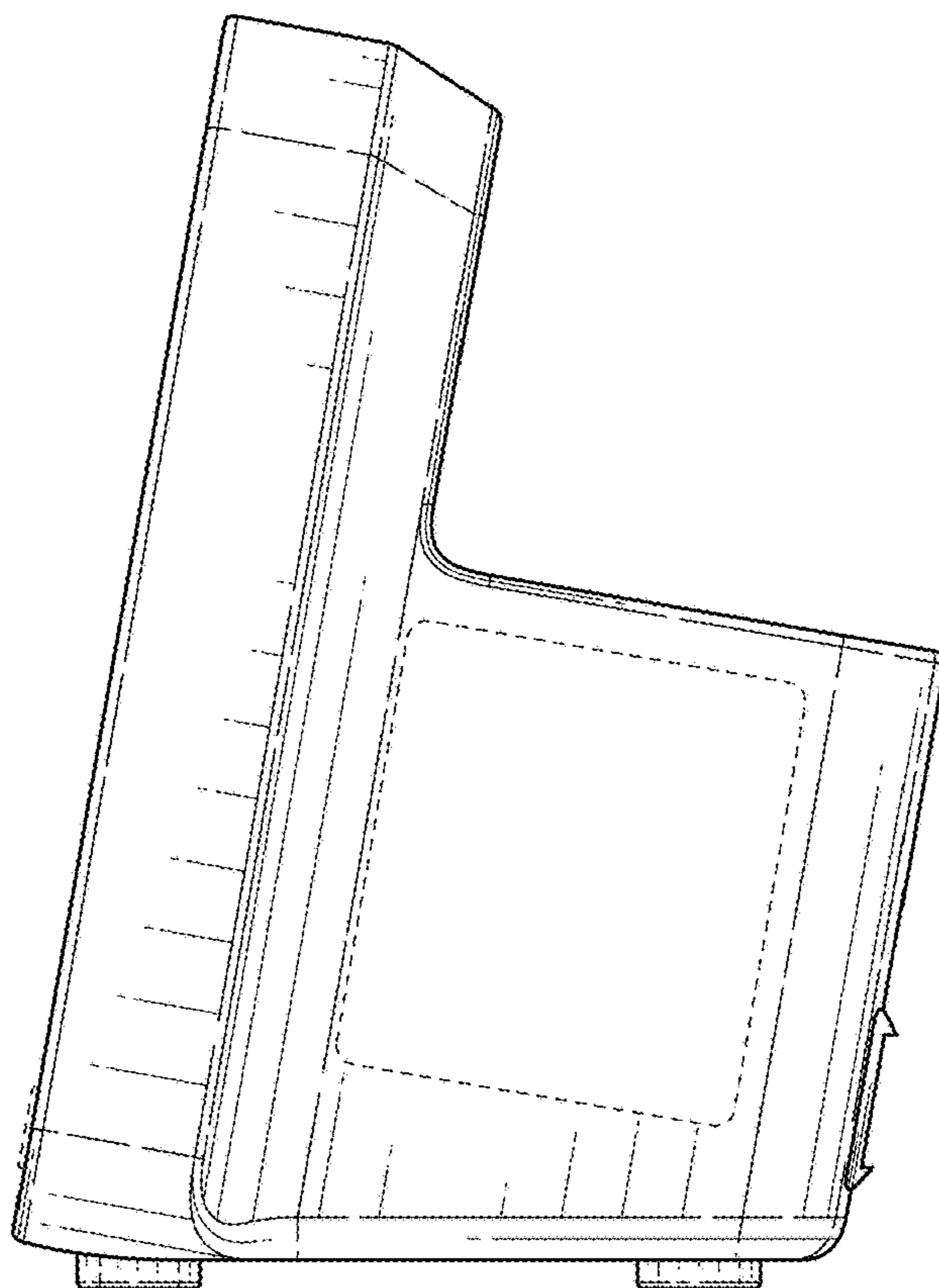


FIG. 6

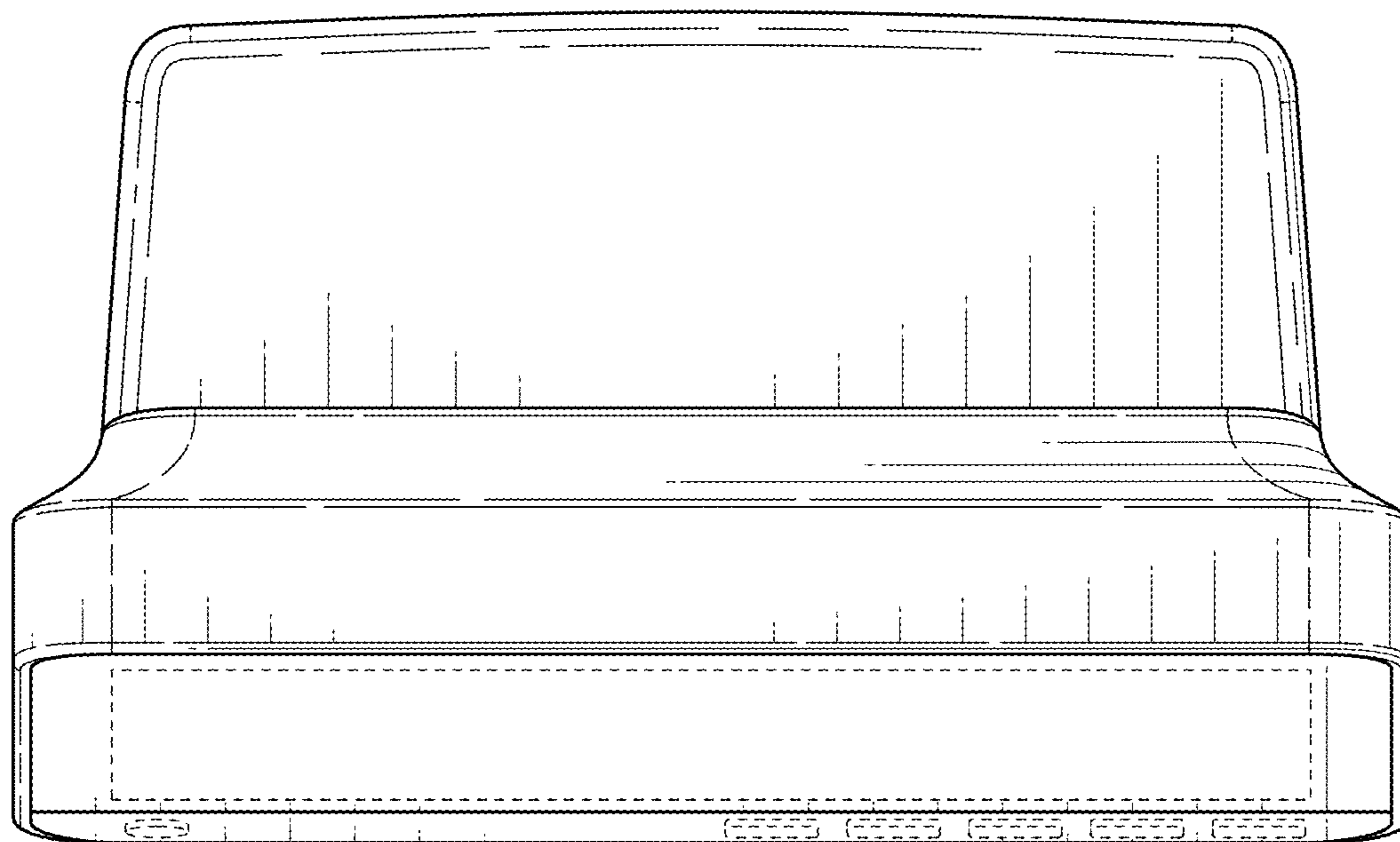


FIG. 7

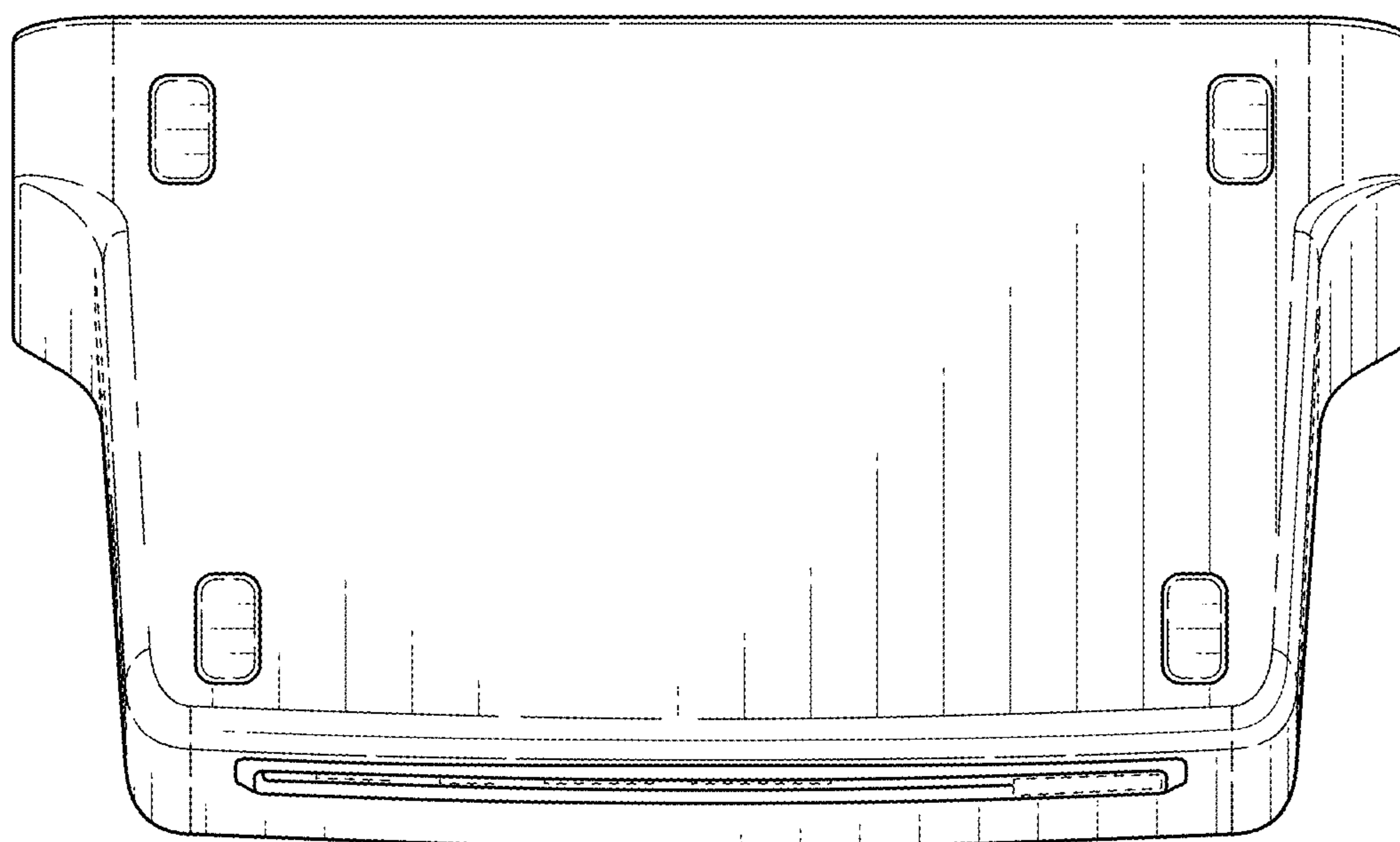


FIG. 8