



US00D901693S

(12) **United States Design Patent** (10) **Patent No.:** **US D901,693 S**
Romano et al. (45) **Date of Patent:** **** Nov. 10, 2020**

(54) **ARMREST FOR MEDICAL EXAMINATION TABLE**

D652,356 S * 1/2012 Lindloff D12/119
8,480,172 B2 7/2013 Baker et al.
D707,479 S * 6/2014 Egger D6/716.2

(Continued)

(71) Applicant: **United Metal Fabricators, Inc.,**
Johnstown, PA (US)

(72) Inventors: **Joseph Romano**, Johnstown, PA (US);
Quinn Carpenter, Johnstown, PA (US);
Justin John Adleff, Gibsonia, PA (US);
Marvin Church, Apollo, PA (US);
Grégoire Bernard Aby-Eva,
Pittsburgh, PA (US)

(**) Term: **15 Years**

(21) Appl. No.: **29/658,120**

(22) Filed: **Jul. 27, 2018**

(51) **LOC (12) Cl.** **24-02**

(52) **U.S. Cl.**
USPC **D24/184**

(58) **Field of Classification Search**
USPC D24/159, 183-184, 200; D6/429,
D6/595-596, 601, 604, 605, 610, 716.2,
D6/718, 718.3

CPC A61G 7/00; A61G 7/0507; A61G 13/107
See application file for complete search history.

(56) **References Cited**

U.S. PATENT DOCUMENTS

1,399,744	A	12/1921	Brophy	
4,887,866	A	12/1989	Rusin	
4,961,610	A	10/1990	Reeder et al.	
5,586,363	A	12/1996	Fanuzzi	
5,689,999	A	11/1997	Wiley et al.	
5,839,136	A	11/1998	Vance et al.	
D436,474	S *	1/2001	Morren	D6/718.3
D468,140	S *	1/2003	Tsai	D6/366
6,619,747	B2	9/2003	Ko et al.	
D538,074	S *	3/2007	Chen	D6/366
D566,438	S *	4/2008	Tsai	D6/366
7,862,123	B2	1/2011	Baker et al.	

OTHER PUBLICATIONS

Removable functional metal iron furniture sofa armrest mechanism. Online, published date unknown. Retrieved on Aug. 5, 2019 from URL: https://www.alibaba.com/product-detail/Removable-functional-metal-iron-furniture-sofa_62203221682.html?spm=a2700.7724857.normalList.53.4eb277a4VDZeVt.*

(Continued)

Primary Examiner — Susan Bennett Hattan

Assistant Examiner — Omeed Agilee

(74) *Attorney, Agent, or Firm* — Metz Lewis Brodman
Must O'Keefe LLC

(57) **CLAIM**

The ornamental design for an armrest for medical examination table, as shown and described.

DESCRIPTION

FIG. 1 is a front side elevation view of an armrest for medical examination table of the present invention.

FIG. 2 is a back side elevation view of the armrest for medical examination table of FIG. 1.

FIG. 3 is an isometric view of the armrest for medical examination table of FIG. 1.

FIG. 4 is a top plan view of the armrest for medical examination table of FIG. 1.

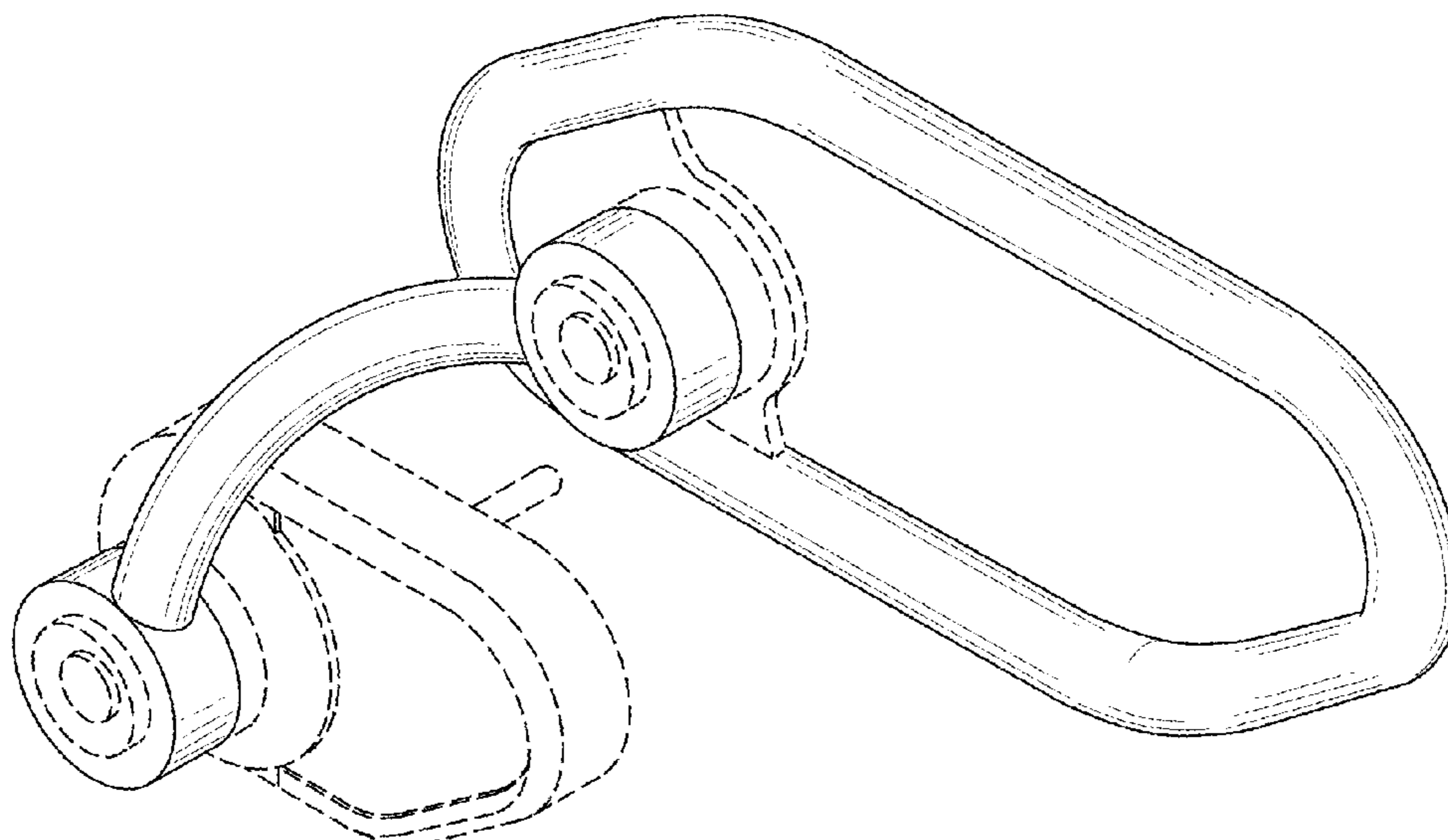
FIG. 5 is a bottom plan view of the armrest for medical examination table of FIG. 1.

FIG. 6 is a right side elevation view of the armrest for medical examination table FIG. 1; and,

FIG. 7 is a left side elevation of the armrest for medical examination table of FIG. 1.

The broken lines in the Figures are provided to show environmental structure and form no part of the claimed design.

1 Claim, 5 Drawing Sheets



(56)

References Cited

U.S. PATENT DOCUMENTS

D710,509 S * 8/2014 Leng D24/184
9,084,710 B2 7/2015 Paul et al.
9,125,495 B2 9/2015 Baker et al.
D765,562 S * 9/2016 Dahlin D12/133
D771,259 S * 11/2016 Newkirk D24/184
D774,342 S * 12/2016 Egger D6/716.3
D779,074 S 2/2017 Lane et al.
9,782,319 B2 10/2017 Baker et al.
9,867,469 B2 1/2018 Warren, Jr. et al.
D827,351 S * 9/2018 Egger D6/716.3
D848,002 S * 5/2019 Simson D24/183
2006/0059621 A1 * 3/2006 Poulos A61G 7/005
5/430
2007/0205642 A1 9/2007 Bejin et al.

OTHER PUBLICATIONS

Midmark 626 Barrier-Free® Examination Chair brochure, Midmark Corporation, Dayton, Ohio, 2018 (7 pages).
Standards for Accessible Medical Diagnostic Equipment, United States Access Board, 36 CFR Part 1195 (Jan. 9, 2017).

* cited by examiner

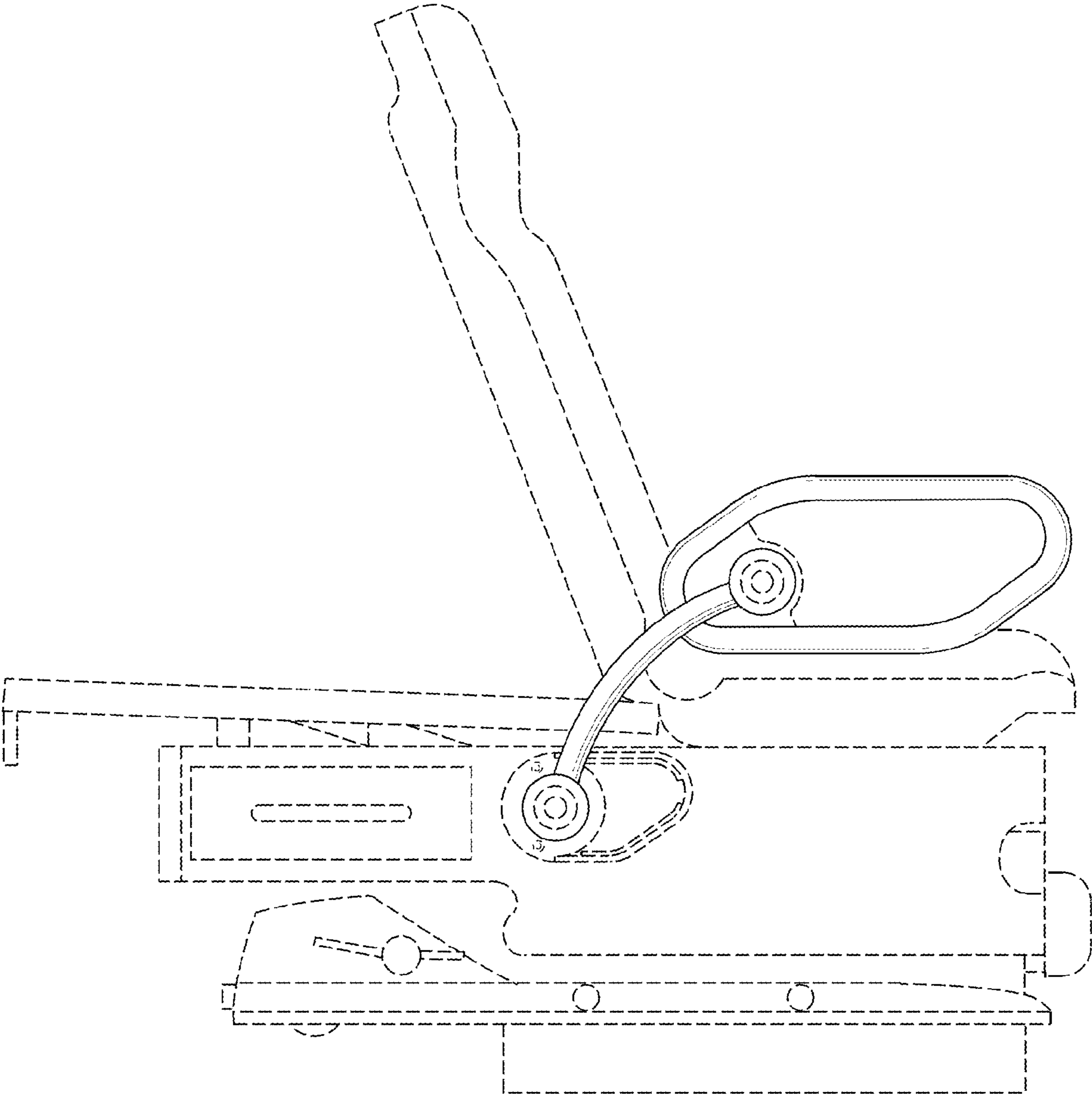


FIG. 1

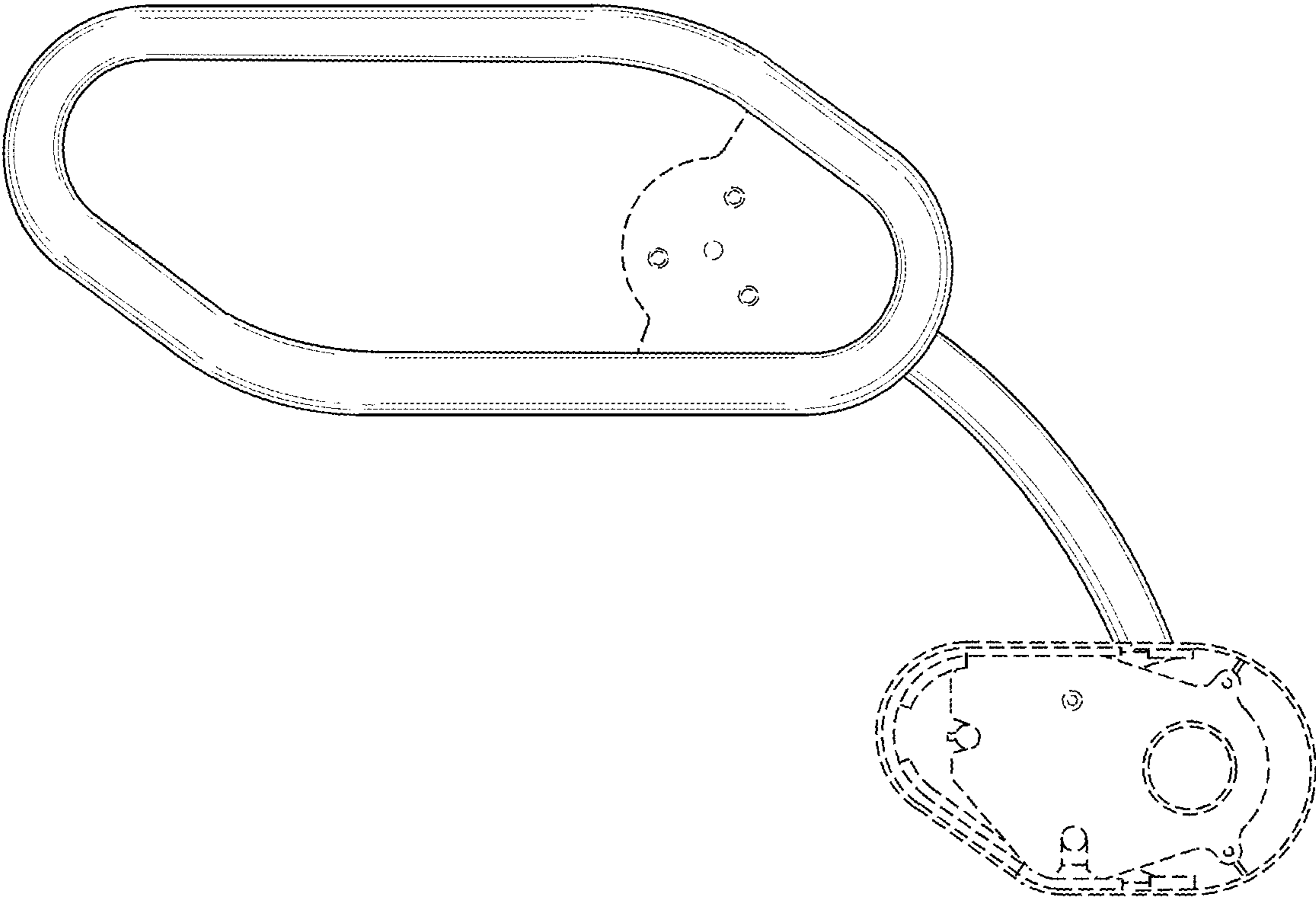


FIG. 2

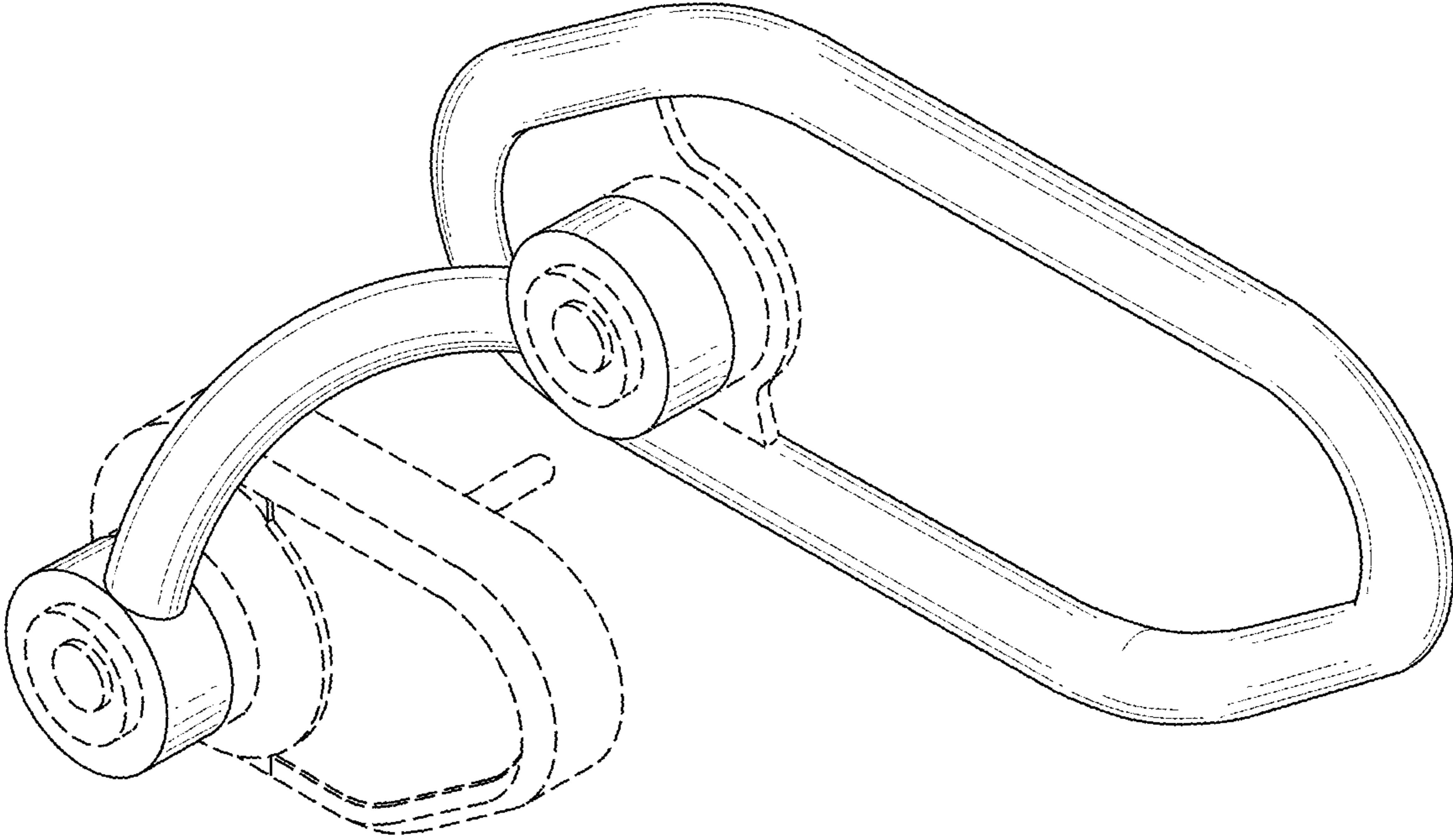


FIG. 3

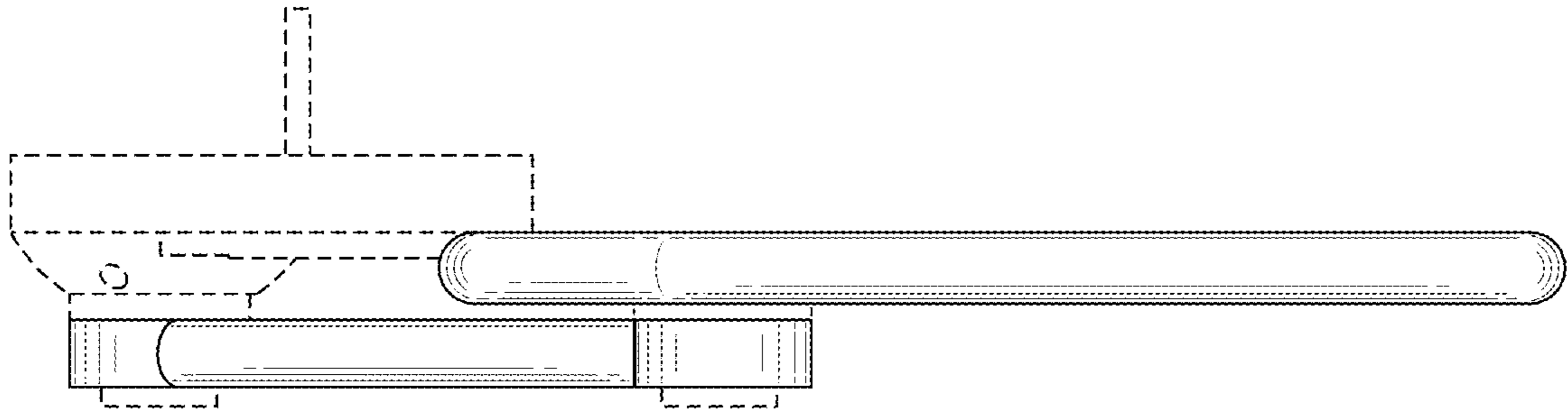


FIG. 4

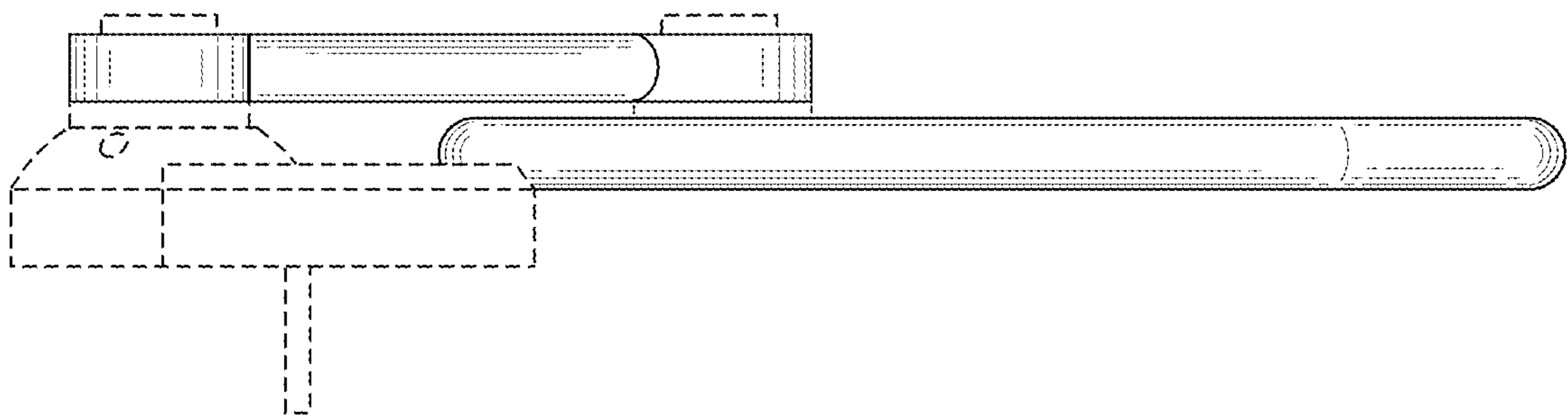


FIG. 5

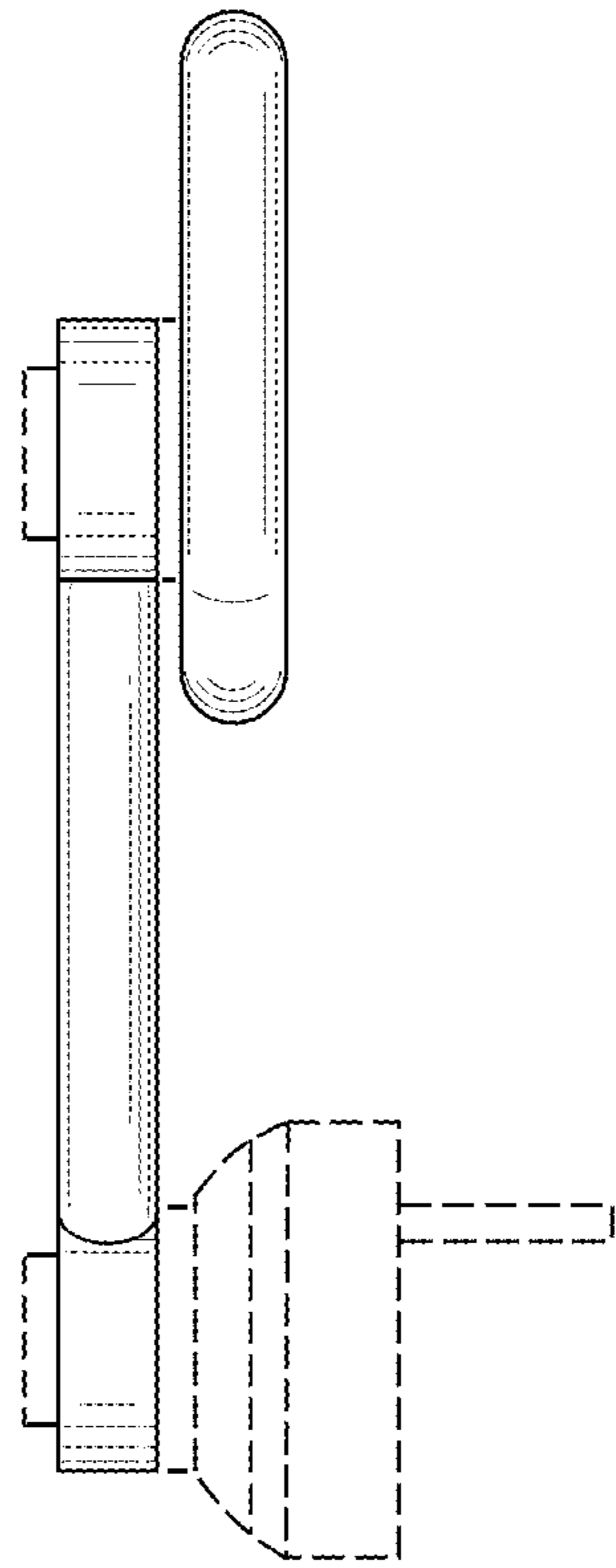


FIG. 6

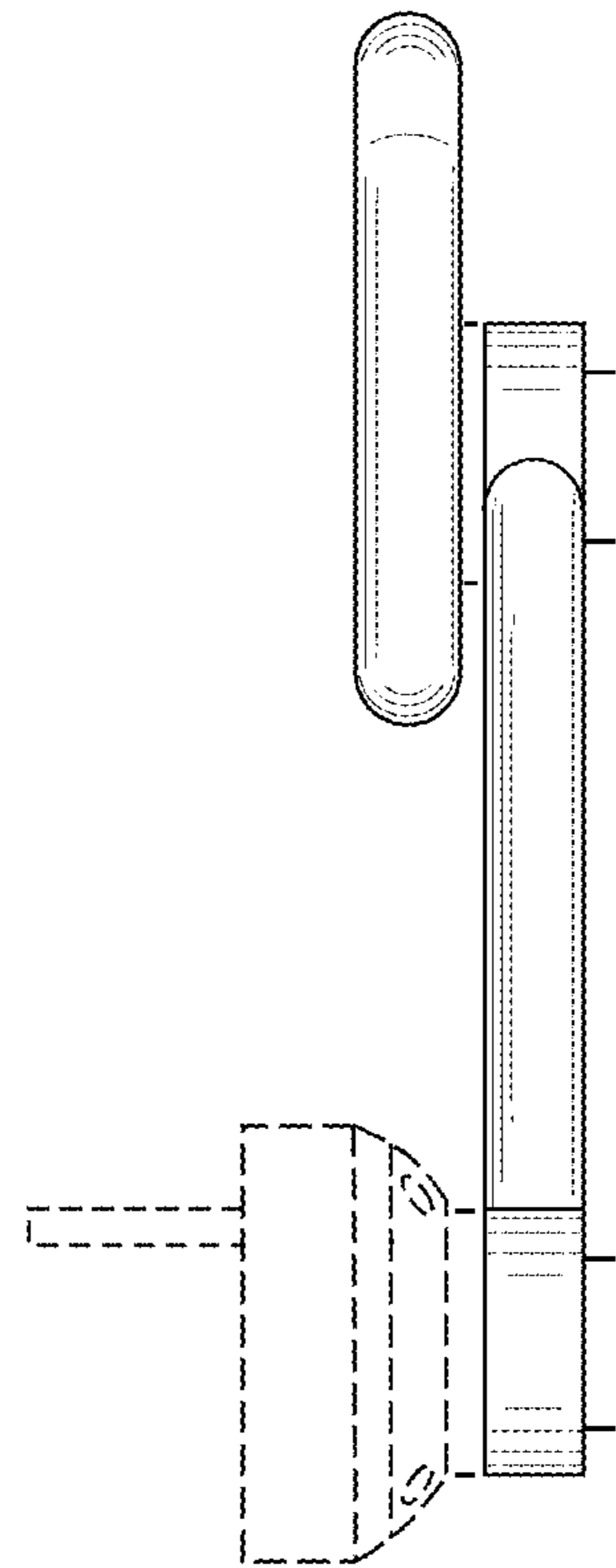


FIG. 7