



US00D901692S

(12) **United States Design Patent**
Rihu et al.

(10) **Patent No.:** **US D901,692 S**

(45) **Date of Patent:** **** Nov. 10, 2020**

(54) **MEDICAL MONITORING DEVICE**

D760,717 S * 7/2016 Solomon D14/344
D784,325 S * 4/2017 Kim D14/341
D787,511 S * 5/2017 Lee D14/344

(71) Applicant: **BIOVOTION AG**, Zürich (CH)

* cited by examiner

(72) Inventors: **Veikko Rihu**, Turku (FI); **Jussi Juva**,
Turku (FI); **Antti Eskeli**, Turku (FI);
Atte Peltola, Turku (FI); **Niki Kurki**,
Turku (FI); **Andreas Caduff**,
Schmerikon (CH)

Primary Examiner — Eliza Z Bennett-Hattan

(73) Assignee: **BIOVOTION AG**, Zurich (CH)

(57) **CLAIM**

The ornamental design for a medical monitoring device, as shown and described.

(**) Term: **15 Years**

DESCRIPTION

(21) Appl. No.: **29/629,657**

(22) Filed: **Dec. 14, 2017**

Related U.S. Application Data

(62) Division of application No. 35/501,817, filed on May 13, 2016 (U.S. filing date under 35 U.S.C. 384), and having an international filing date of May 13, 2016, now Pat. No. Des. 854,162.

(51) **LOC (12) Cl.** **24-02**

(52) **U.S. Cl.**
USPC **D24/167**

(58) **Field of Classification Search**
USPC D24/167, 166, 186, 187; D10/32, 70;
D14/344

CPC A61B 5/6831
See application file for complete search history.

FIG. 1 is a perspective view in a closed configuration of a medical monitoring device embodying our new design; FIG. 2 is an exploded perspective view in an open configuration thereof; FIG. 3 is a perspective view in an open configuration thereof; FIG. 4 is a top view thereof; FIG. 5 is a right side view thereof in a closed configuration, the left side view being a mirror thereof; FIG. 6 is a top view thereof in an open configuration; FIG. 7 is a right side view thereof in an open configuration; FIG. 8 is a perspective view in a closed configuration of a medical monitoring device embodying our new design; FIG. 9 is an exploded perspective view in an open configuration thereof; FIG. 10 is a perspective view in an open configuration thereof; FIG. 11 is a top view thereof; FIG. 12 is a right side view thereof in a closed configuration, the left side view being a mirror thereof; FIG. 13 is a top view thereof in an open configuration; and, FIG. 14 is a right side view thereof in an open configuration. The portions of the article shown in broken lines in the drawing form no part of the claimed design.

(56) **References Cited**

U.S. PATENT DOCUMENTS

D701,504 S * 3/2014 Christopher D14/344
D703,204 S * 4/2014 Riddiford D10/65
D749,570 S * 2/2016 Lee D14/344
D751,550 S * 3/2016 Solomon D10/38
D755,786 S * 5/2016 Lapetina D14/344

1 Claim, 14 Drawing Sheets





FIG. 1

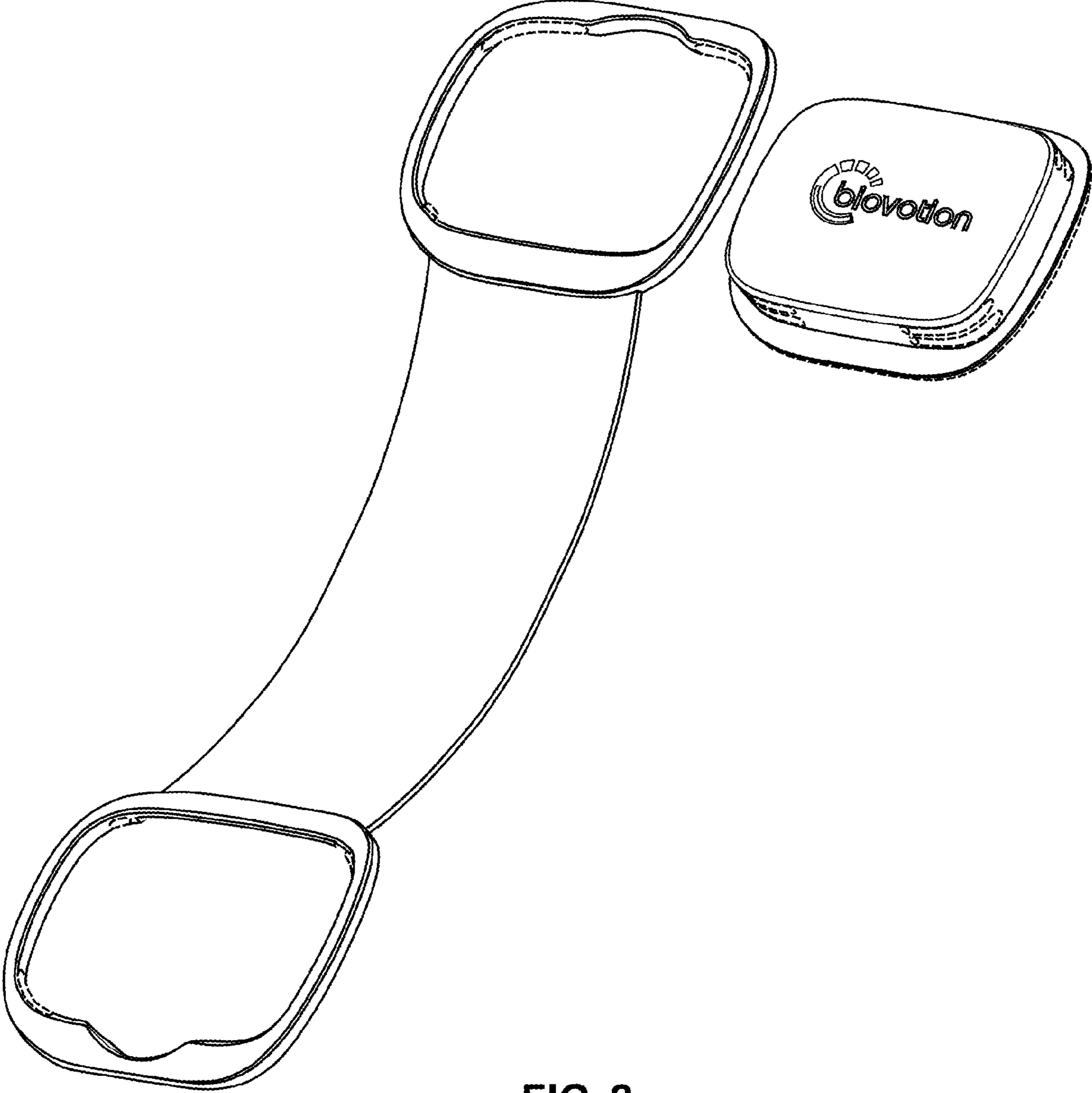


FIG. 2

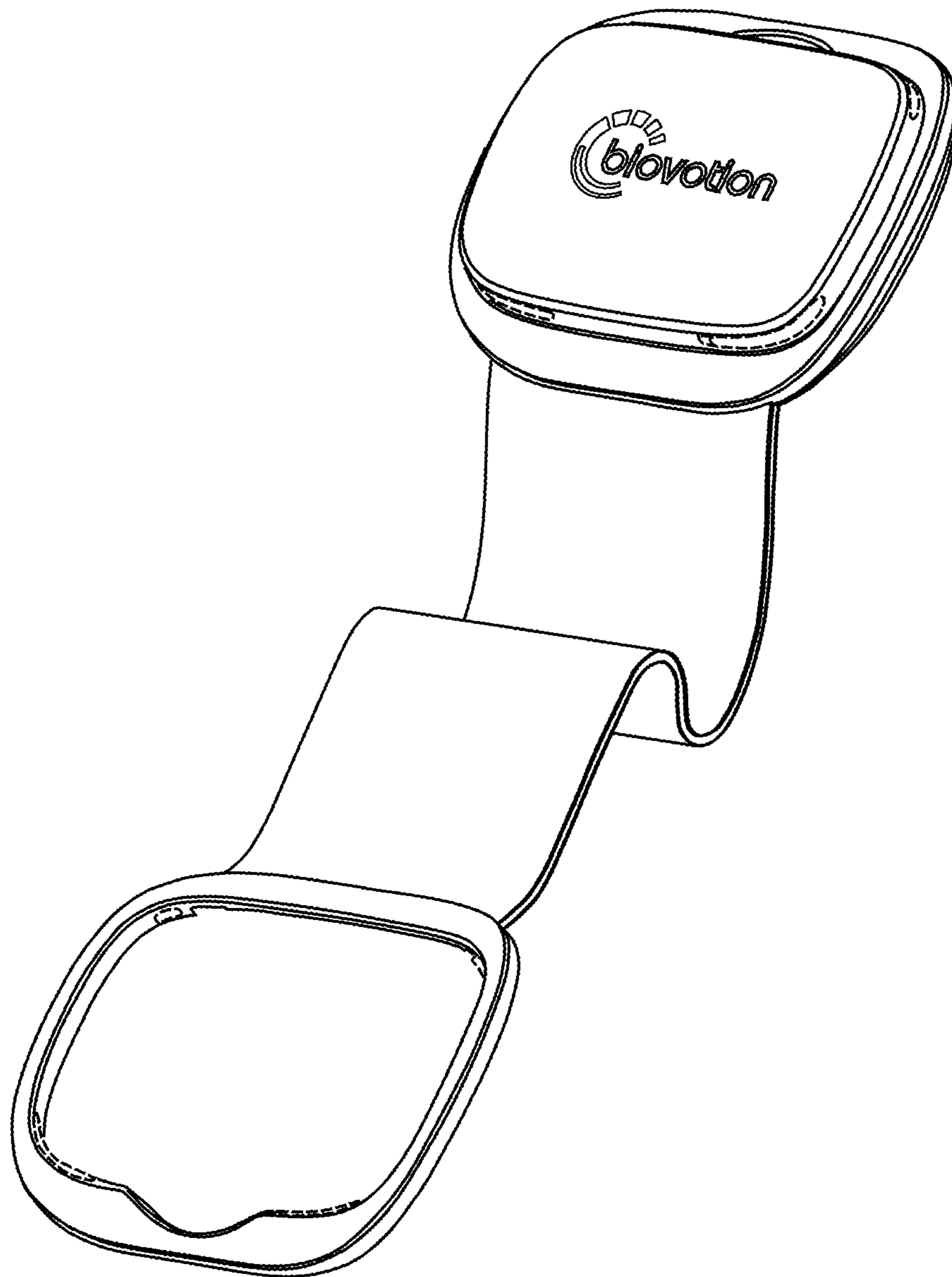


FIG. 3

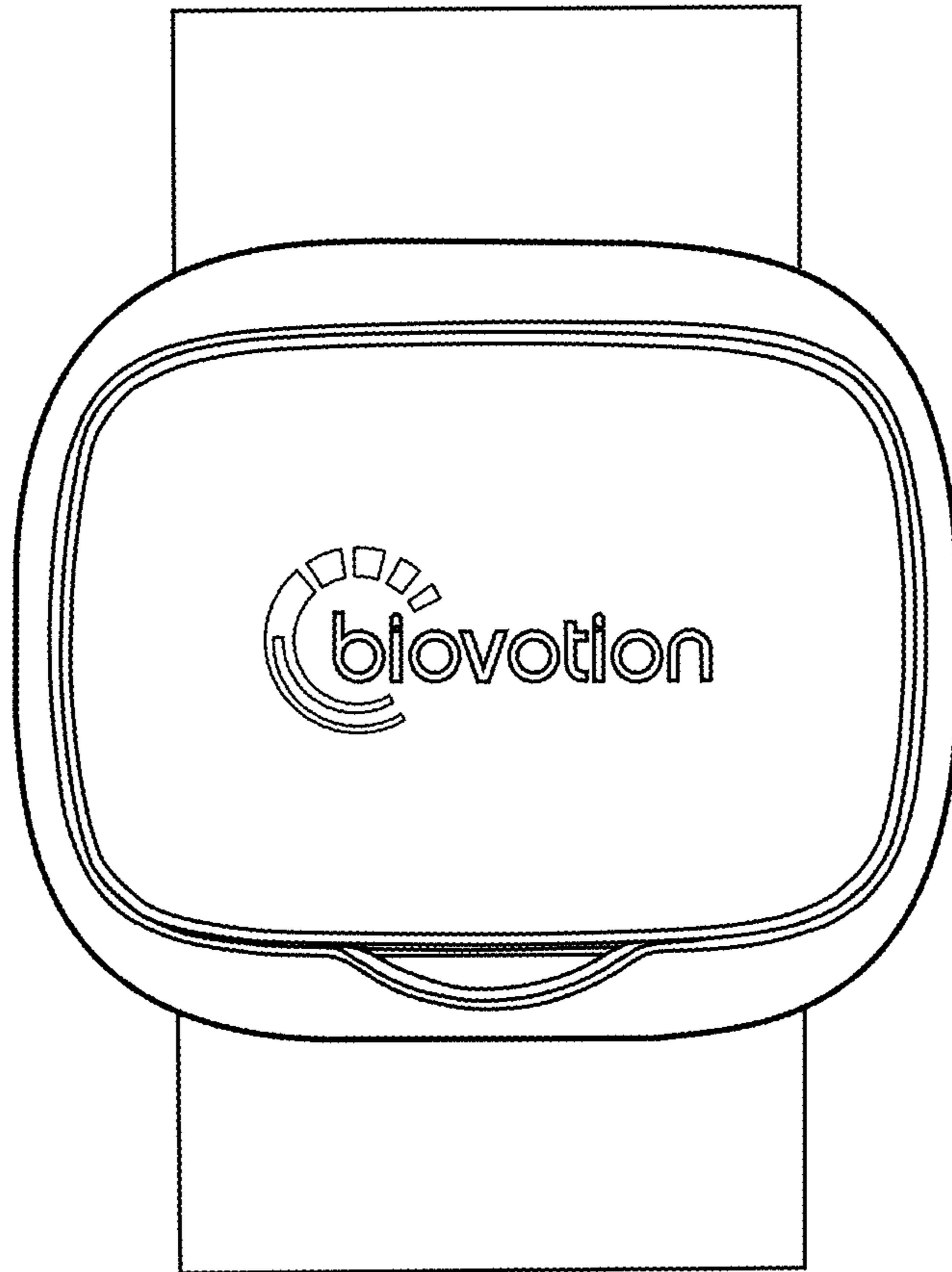


FIG. 4

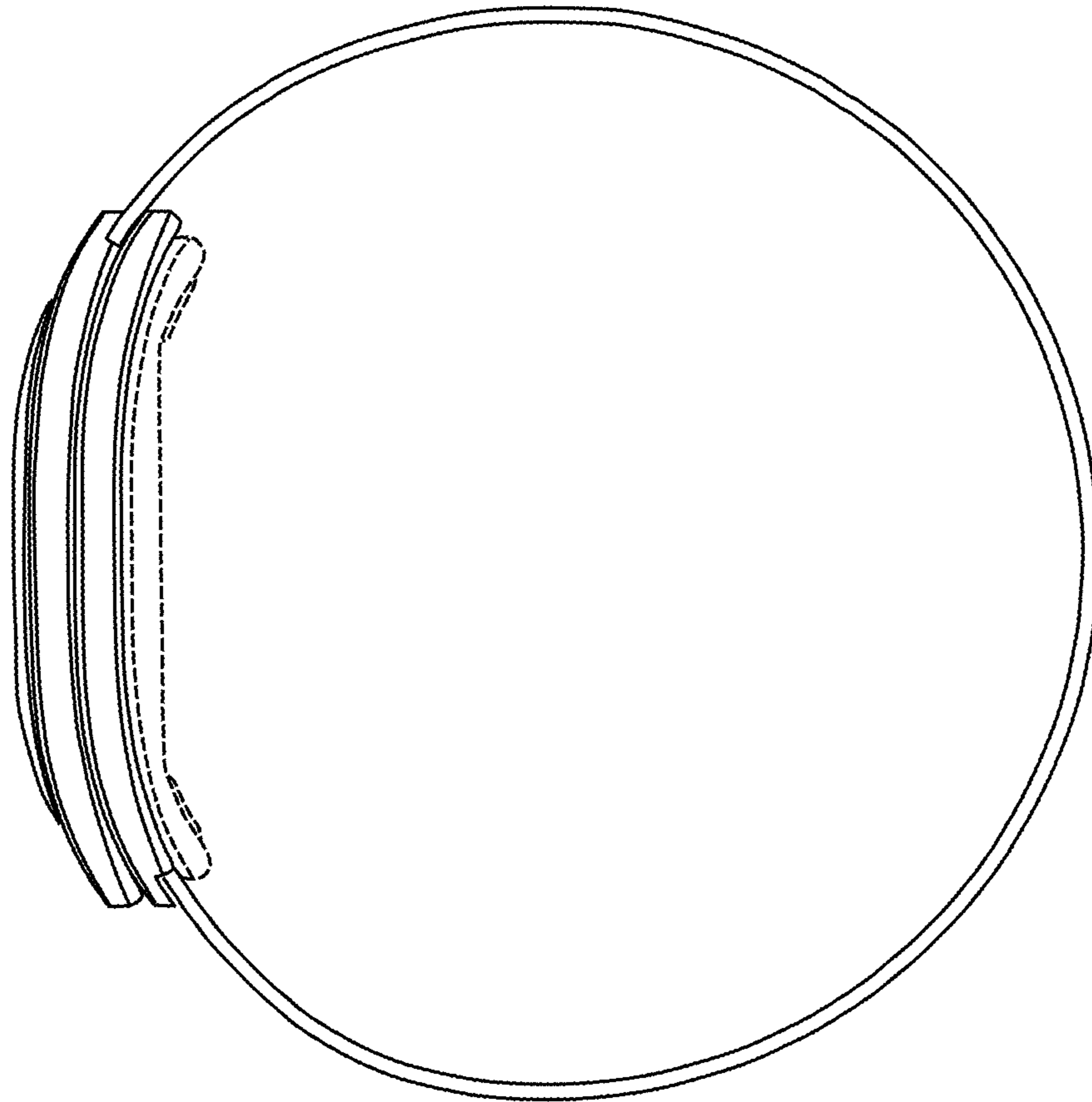


FIG. 5

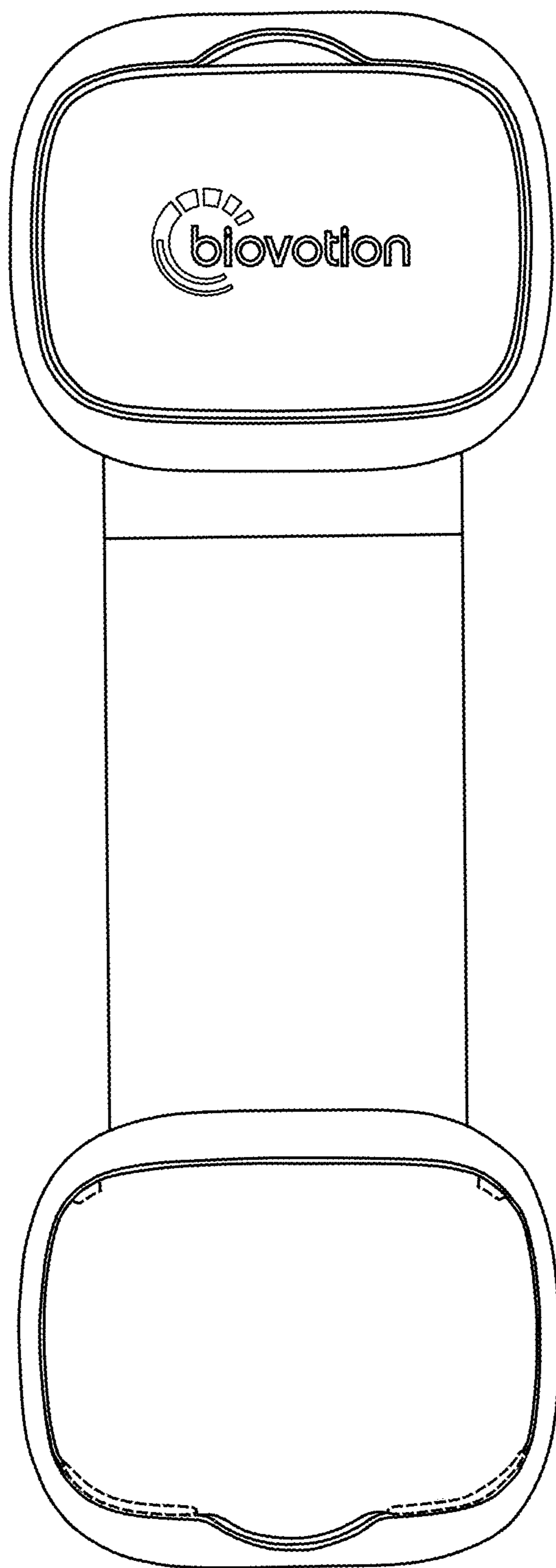


FIG. 6

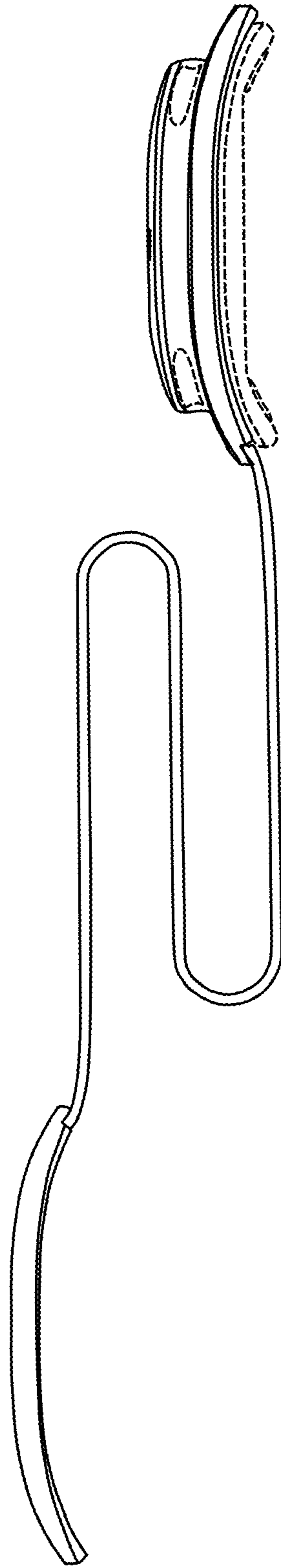


FIG. 7

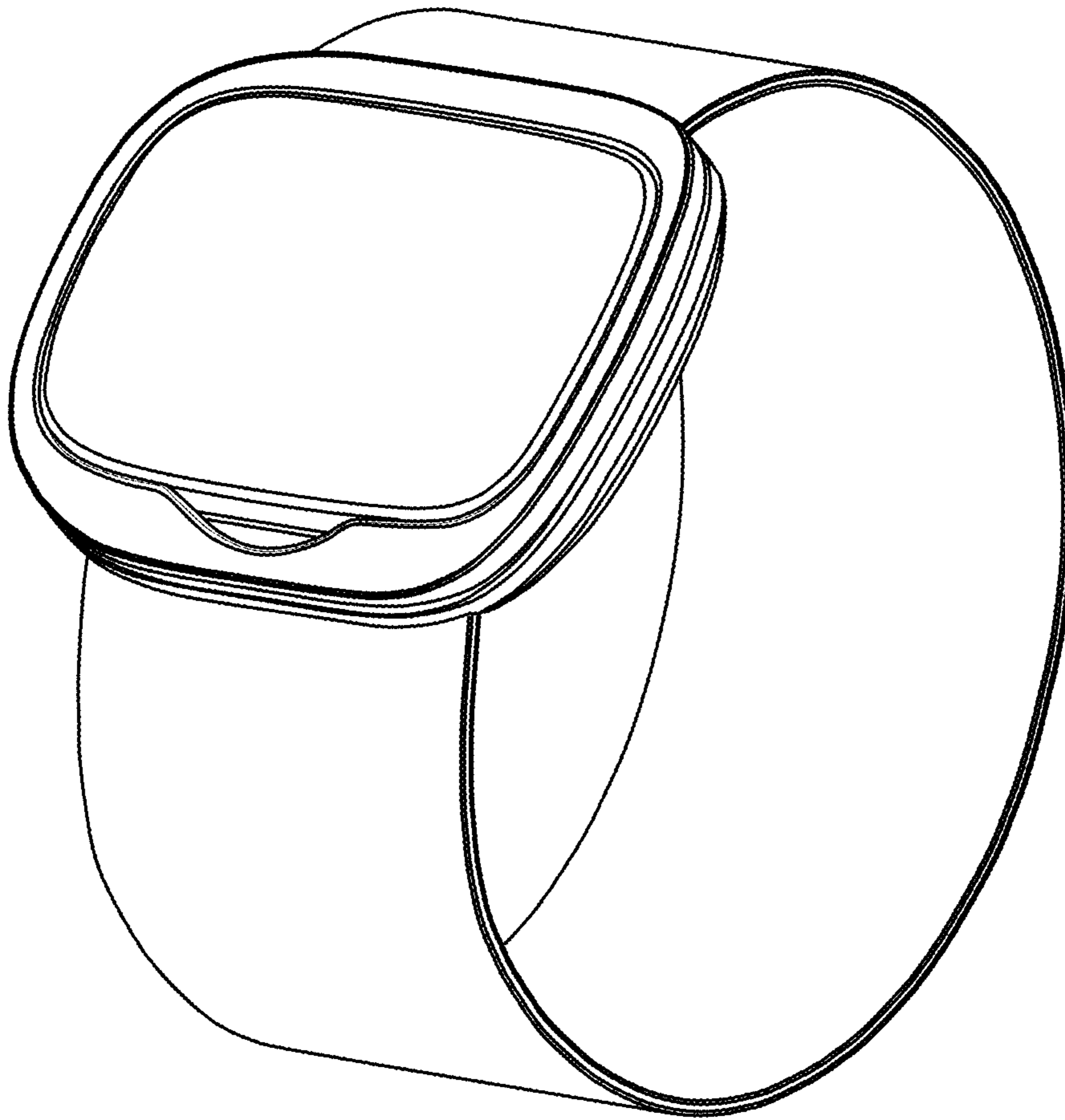


FIG. 8

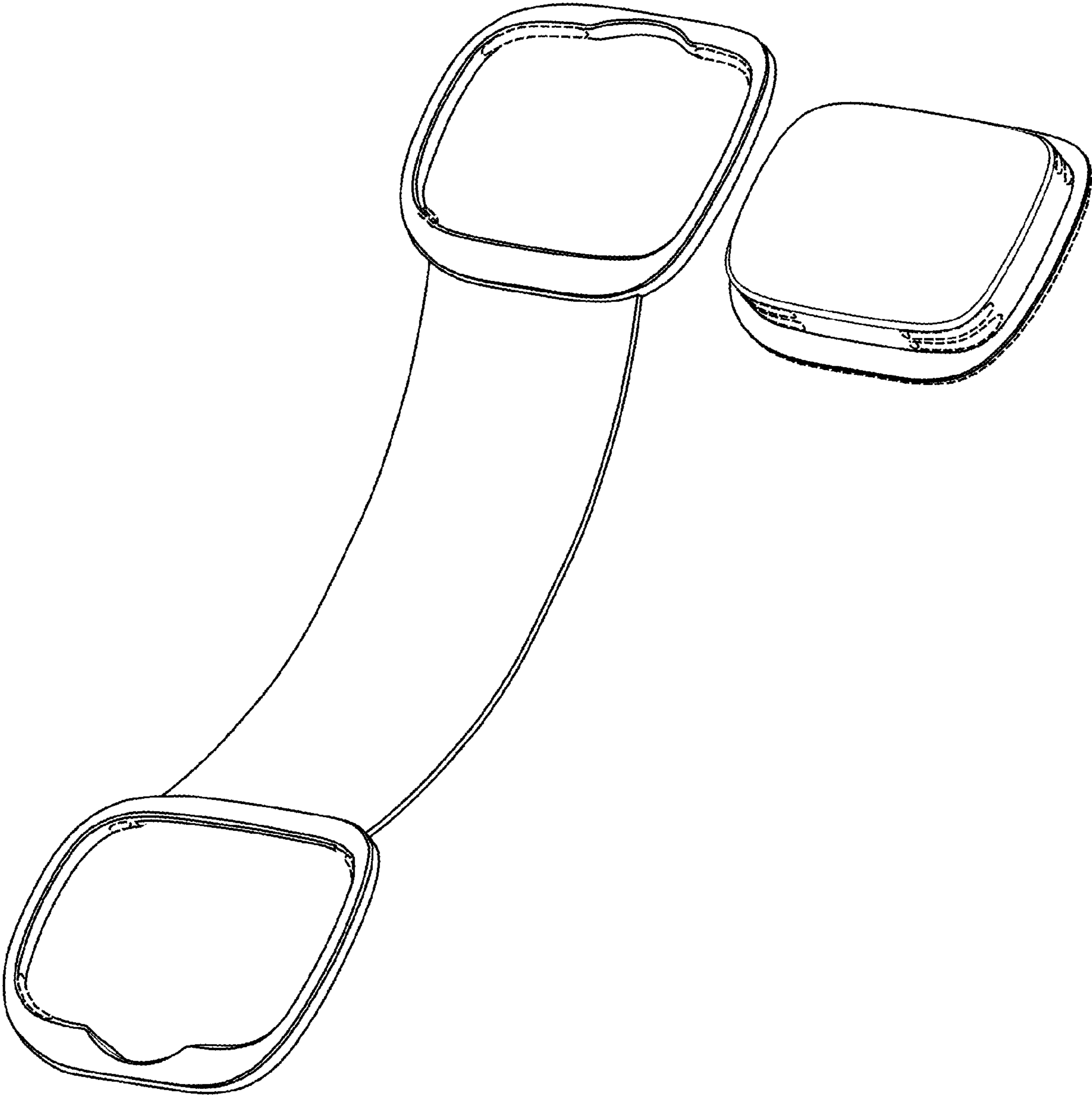


FIG. 9

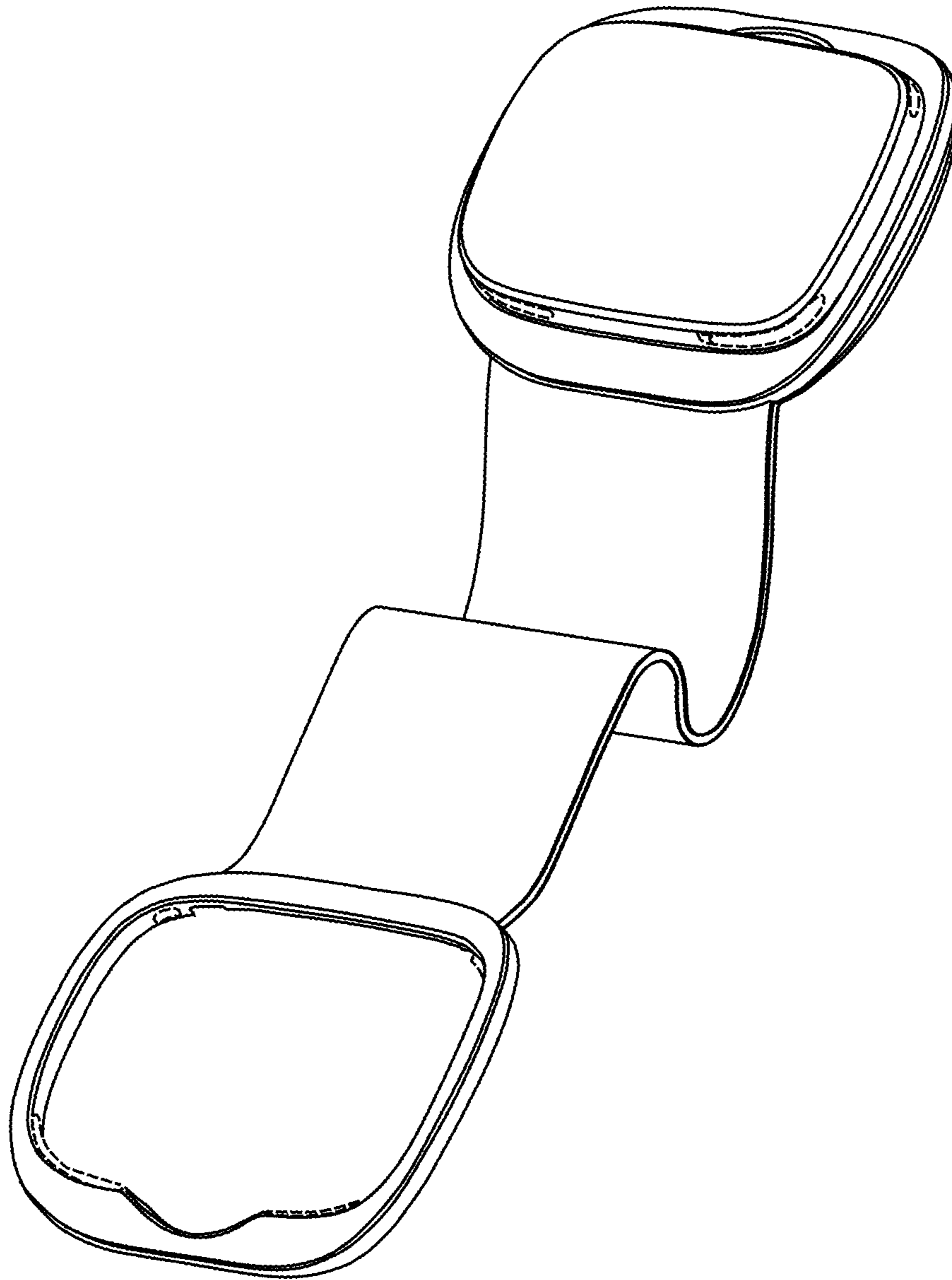


FIG. 10

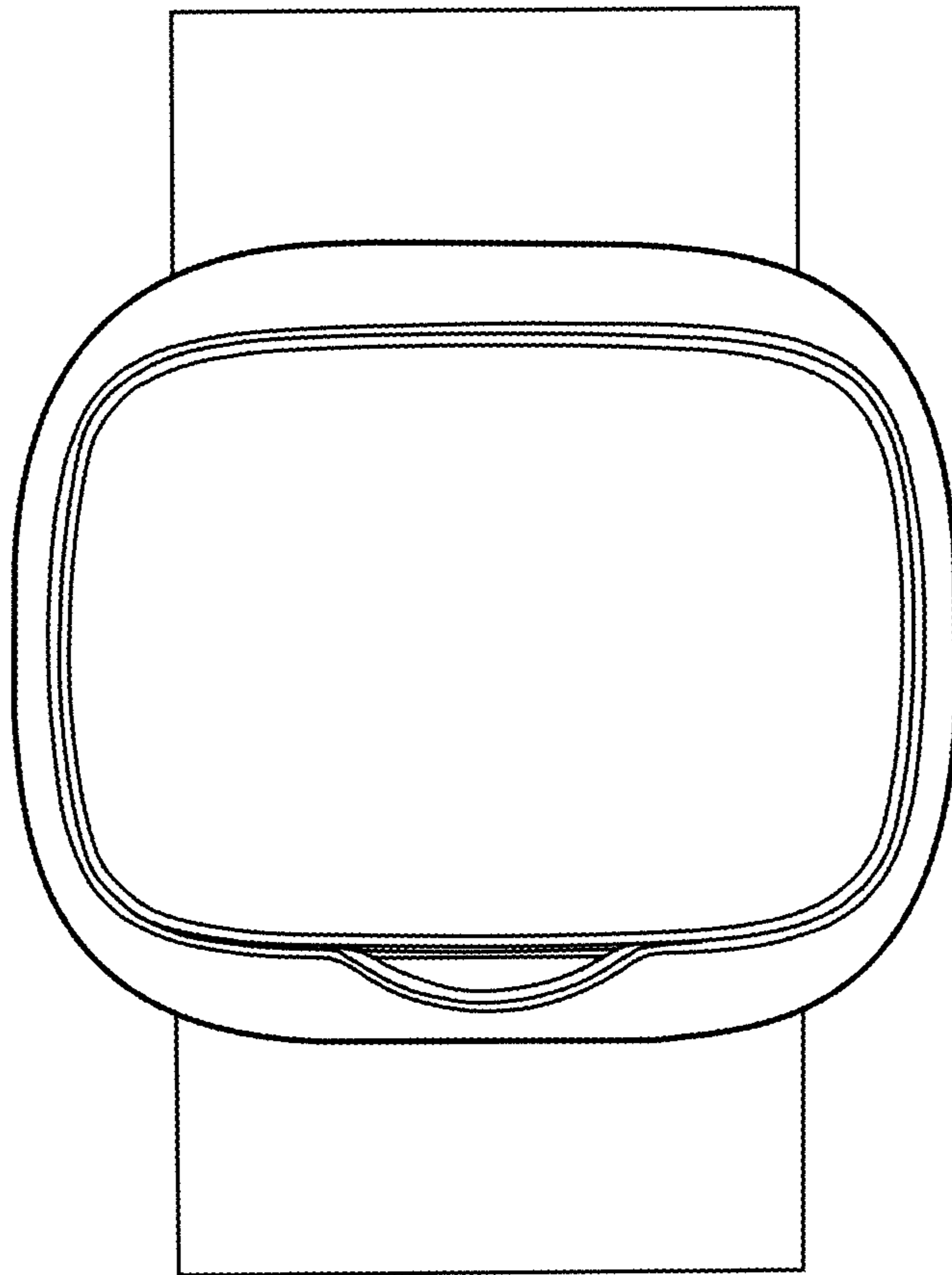


FIG. 11

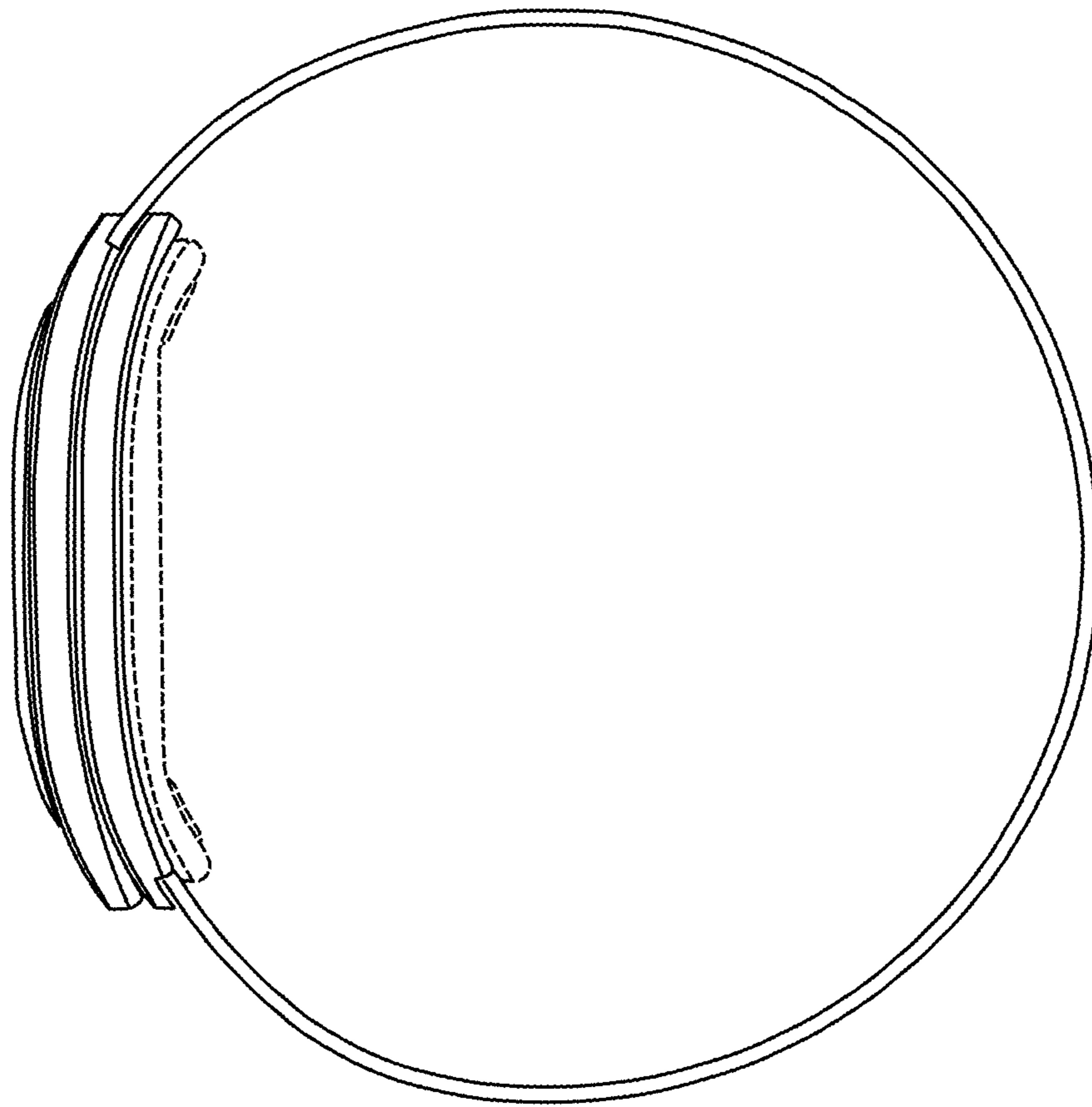


FIG. 12

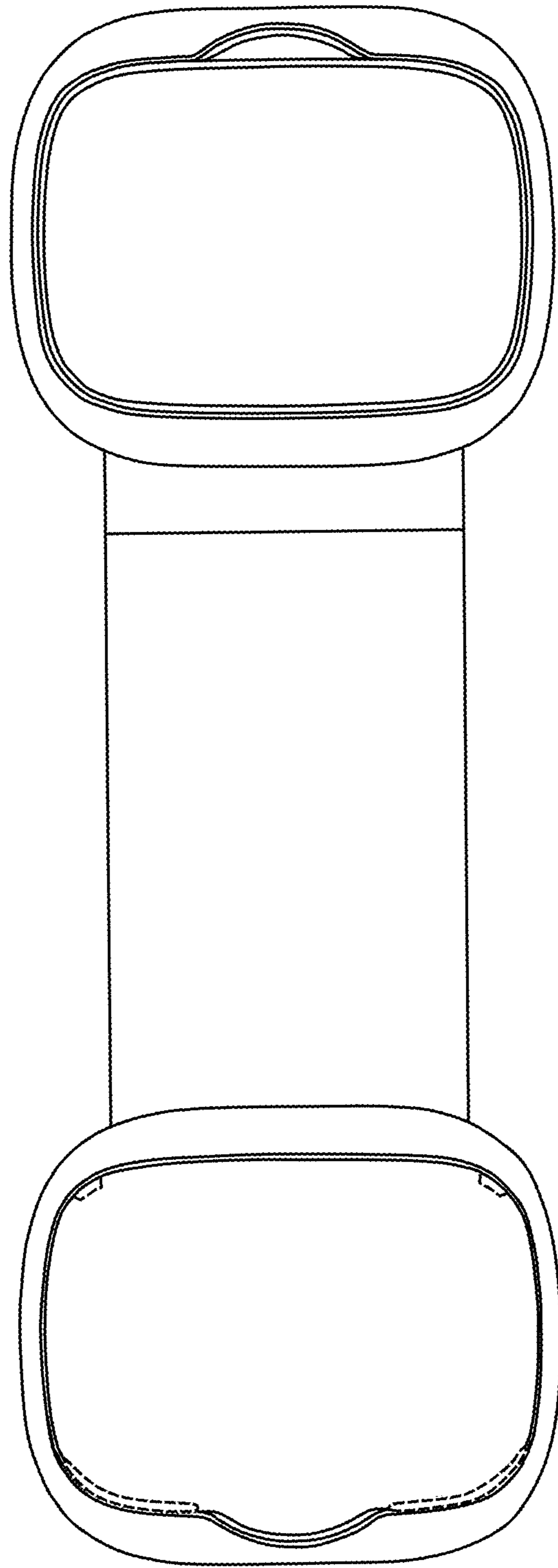


FIG. 13

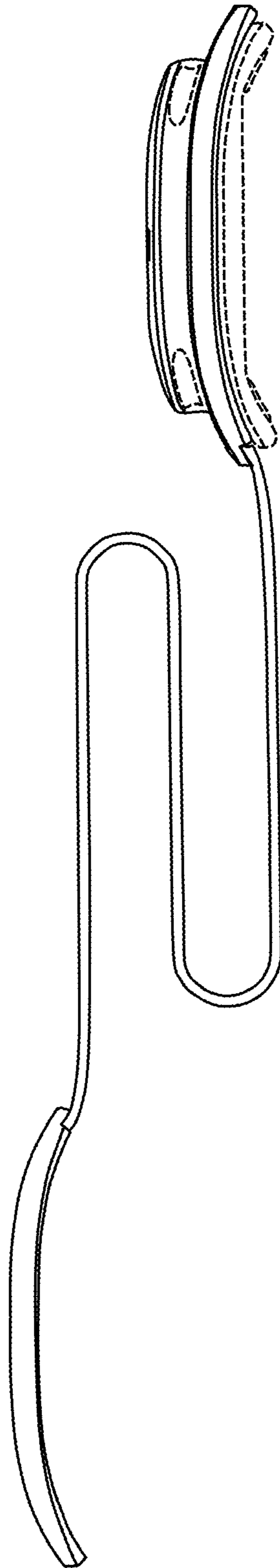


FIG. 14