



US00D901690S

(12) **United States Design Patent** (10) **Patent No.:** **US D901,690 S**
Patil et al. (45) **Date of Patent:** **** Nov. 10, 2020**

(54) **INTEGRATION MANAGEMENT SYSTEM FOR PATIENT TABLE**

(71) Applicant: **General Electric Company**, Schenectady, NY (US)
(72) Inventors: **Mahendra Madhukar Patil**, Bangalore (IN); **Narasimha Murthy Vinay**, Bangalore (IN); **Satish Kumar Coimbatore Renukanandhan**, Bangalore (IN); **Paul Vincent Margot**, Buc (FR); **Romain Chatelin**, Buc (FR); **Jean-Michel Marteau**, Buc (FR); **Mylene Roussel**, Buc (FR)

(73) Assignee: **GENERAL ELECTRIC COMPANY**, Schenectady, NY (US)

(**) Term: **15 Years**

(21) Appl. No.: **29/649,352**

(22) Filed: **May 29, 2018**

Related U.S. Application Data

(62) Division of application No. 29/600,185, filed on Apr. 10, 2017, now Pat. No. Des. 820,986, which is a division of application No. 29/531,467, filed on Jun. 25, 2015, now Pat. No. Des. 787,071.

(51) **LOC (12) Cl.** **24-01**

(52) **U.S. Cl.**
USPC **D24/159**; D24/183

(58) **Field of Classification Search**
USPC D24/107, 158–161, 183–186; D6/601, D6/604, 605
CPC ... A61B 6/0435; A61B 6/0457; A61B 6/0442; A61B 6/502; A61B 5/0555; A61B 8/0825; A61B 8/406

See application file for complete search history.

(56) **References Cited**

U.S. PATENT DOCUMENTS

D409,751 S *	5/1999	Kemp	D24/183
D441,868 S *	5/2001	Rodenas Santiago	D24/183
D453,968 S *	2/2002	Zachrisson	D24/183
D569,520 S *	5/2008	DeBaal	D24/183
D745,971 S *	12/2015	Sharps	D24/183
D787,071 S *	5/2017	Patil	D24/159

* cited by examiner

Primary Examiner — Anhdao Doan

(74) *Attorney, Agent, or Firm* — Fletcher Yoder, P.C.

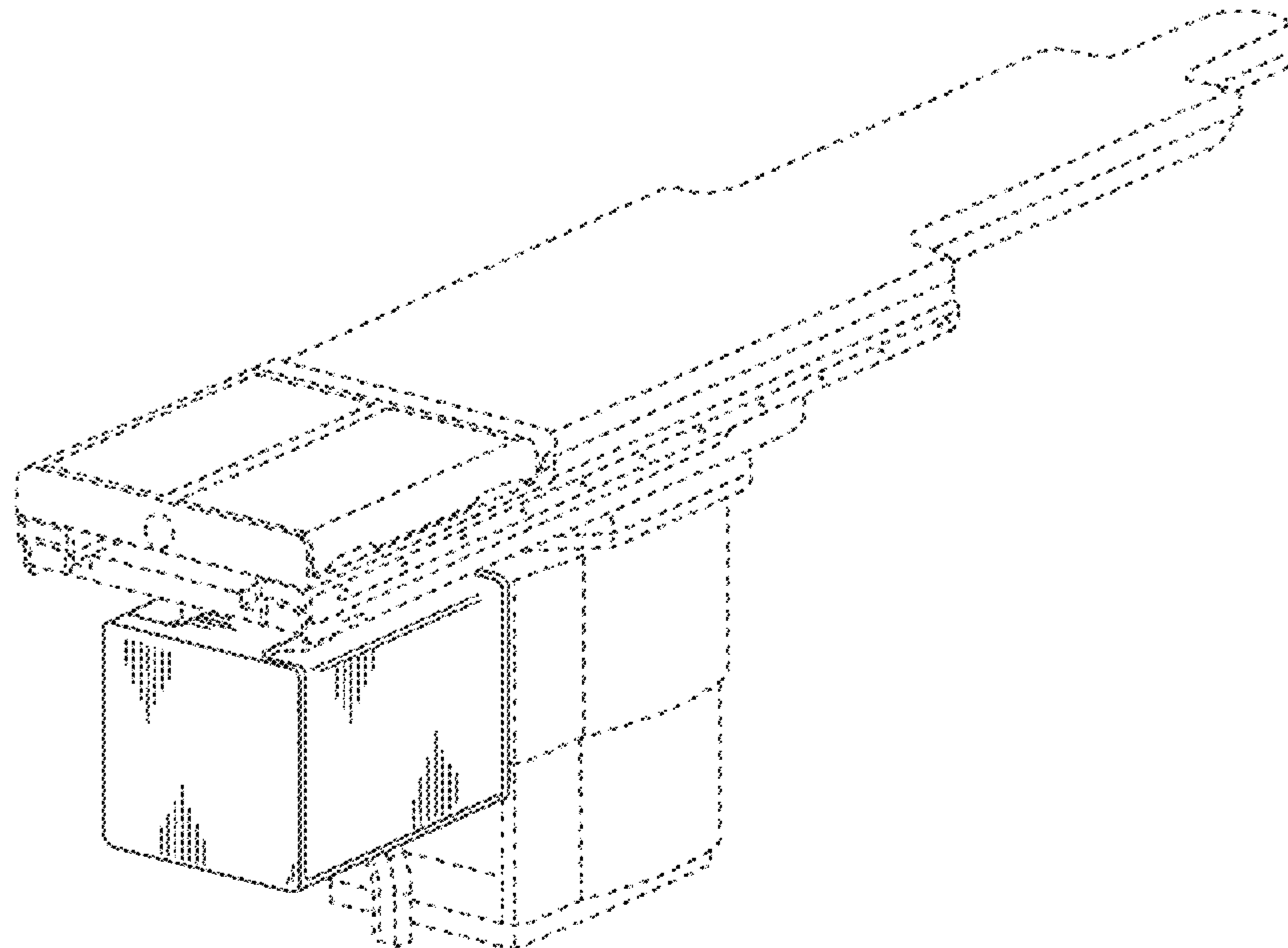
(57) **CLAIM**

The ornamental design for an integration management system for patient table, as shown and described.

DESCRIPTION

FIG. 1 is a front perspective view of an integration management system for patient table;
FIG. 2 is a back perspective view thereof;
FIG. 3 is a top view thereof;
FIG. 4 is a right side view thereof;
FIG. 5 is a left side view thereof;
FIG. 6 is a back view thereof;
FIG. 7 is a front view thereof;
FIG. 8 is a bottom view thereof;
FIG. 9 is a front perspective view thereof with the lower table compartment in an open configuration; and,
FIG. 10 is a back perspective view thereof.
The broken lines immediately adjacent the shaded areas represent the bounds of the claim, while all other broken lines are directed to environment and are for illustrative purposes only. The broken lines form no part of the claimed design.

1 Claim, 6 Drawing Sheets



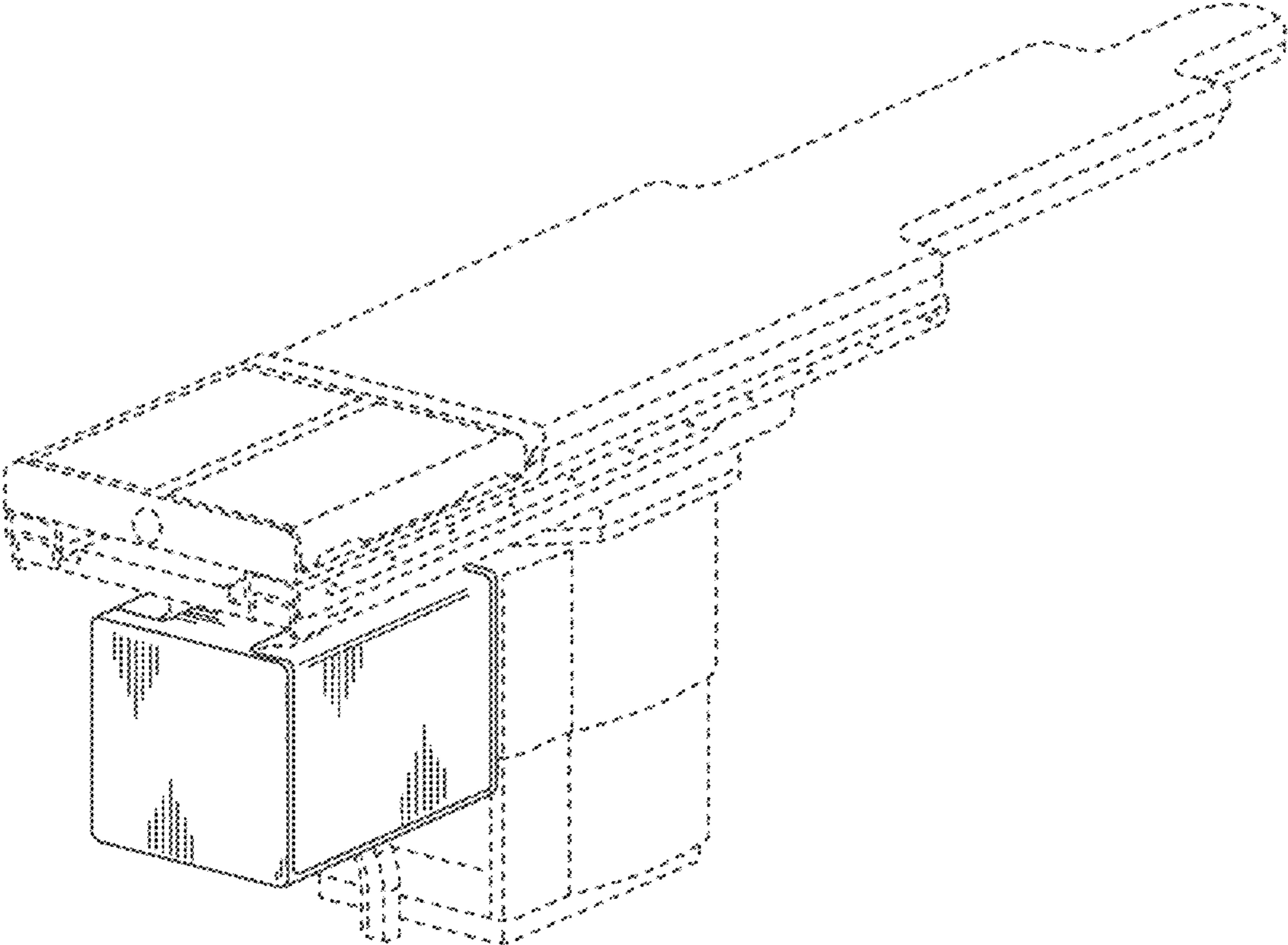


FIG. 1

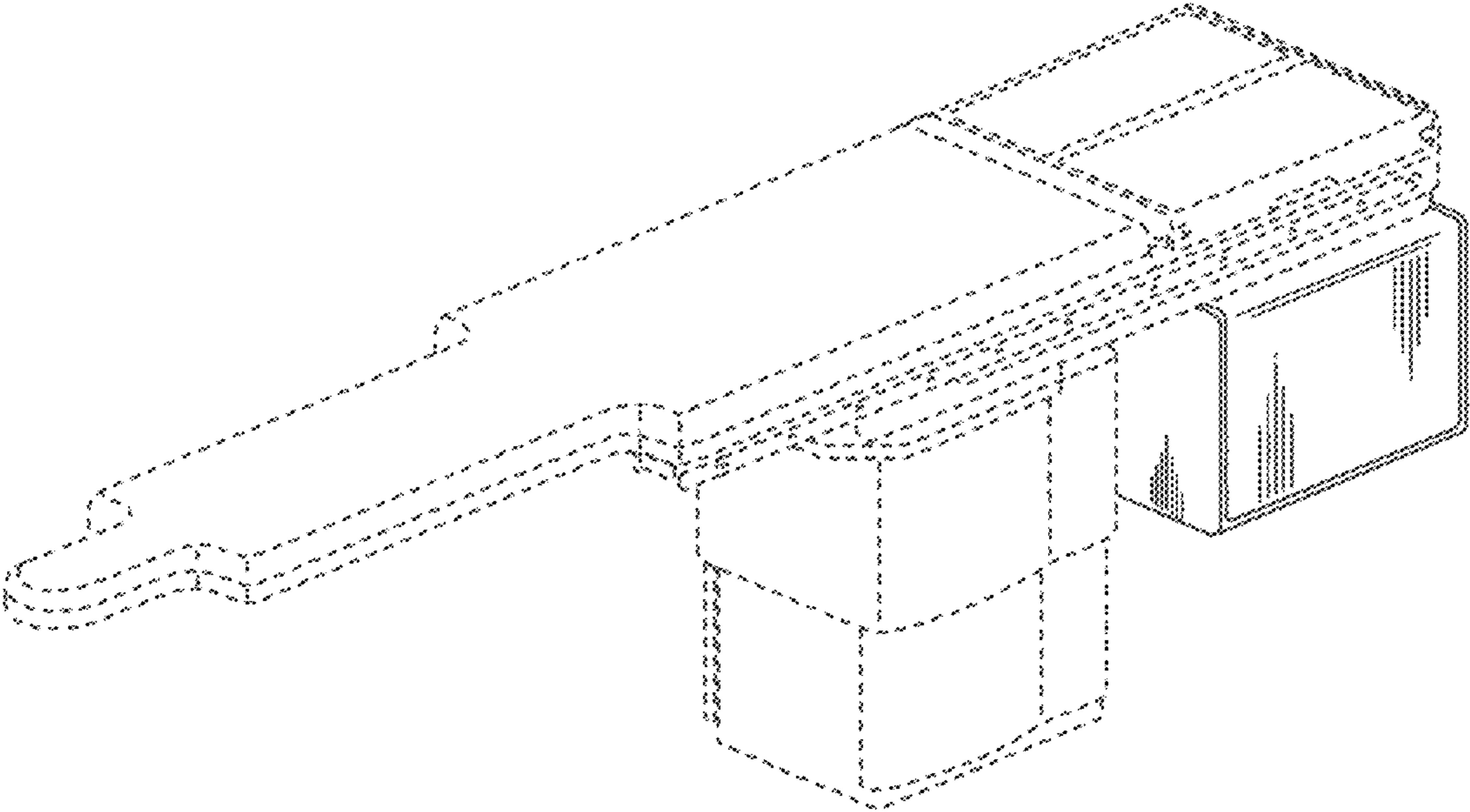


FIG. 2

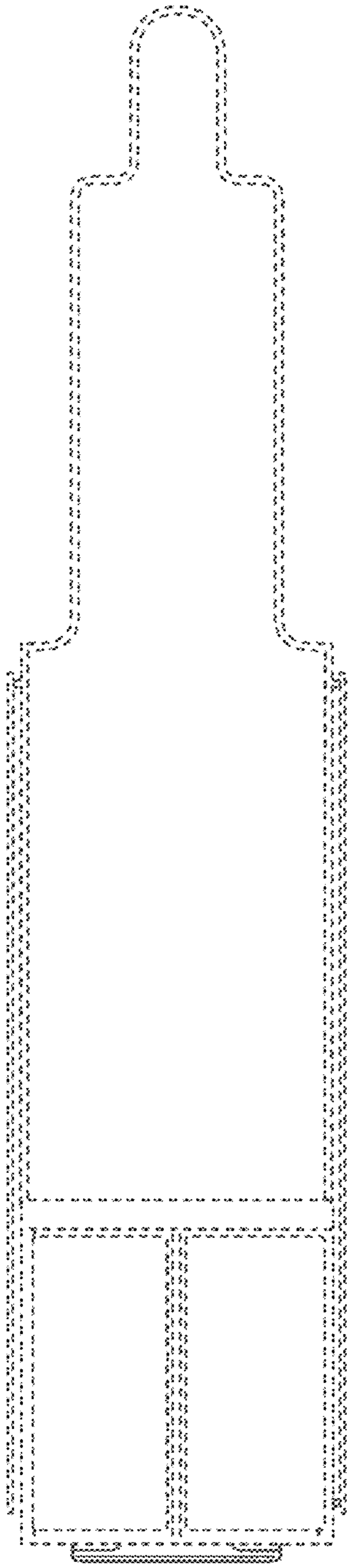


FIG. 3

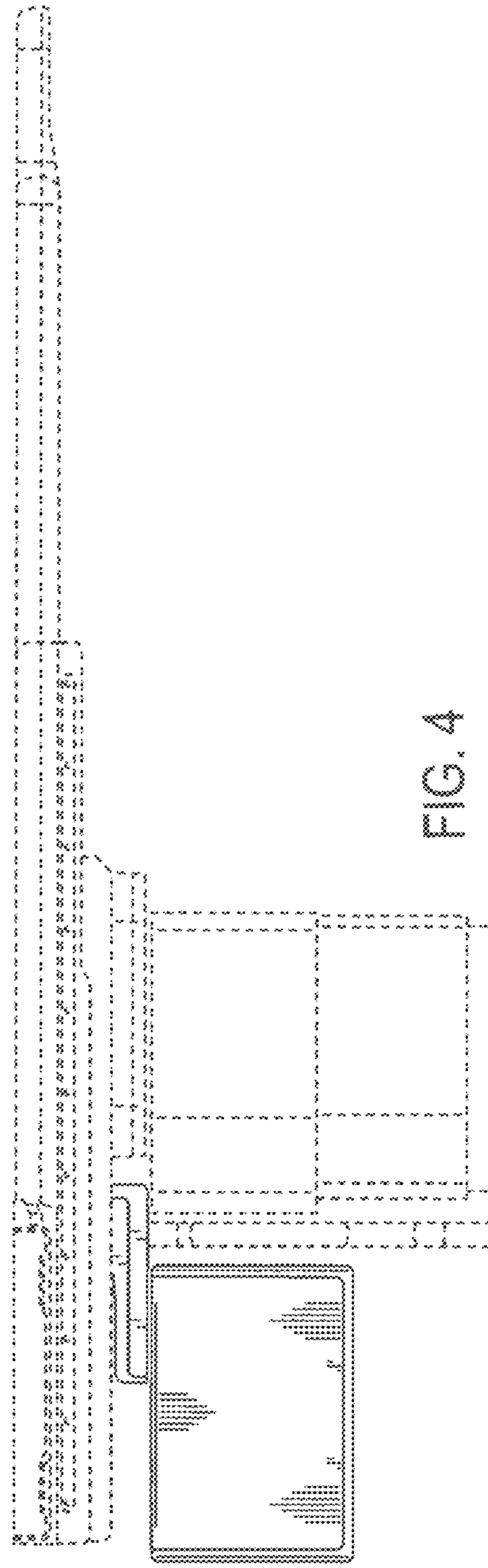


FIG. 4

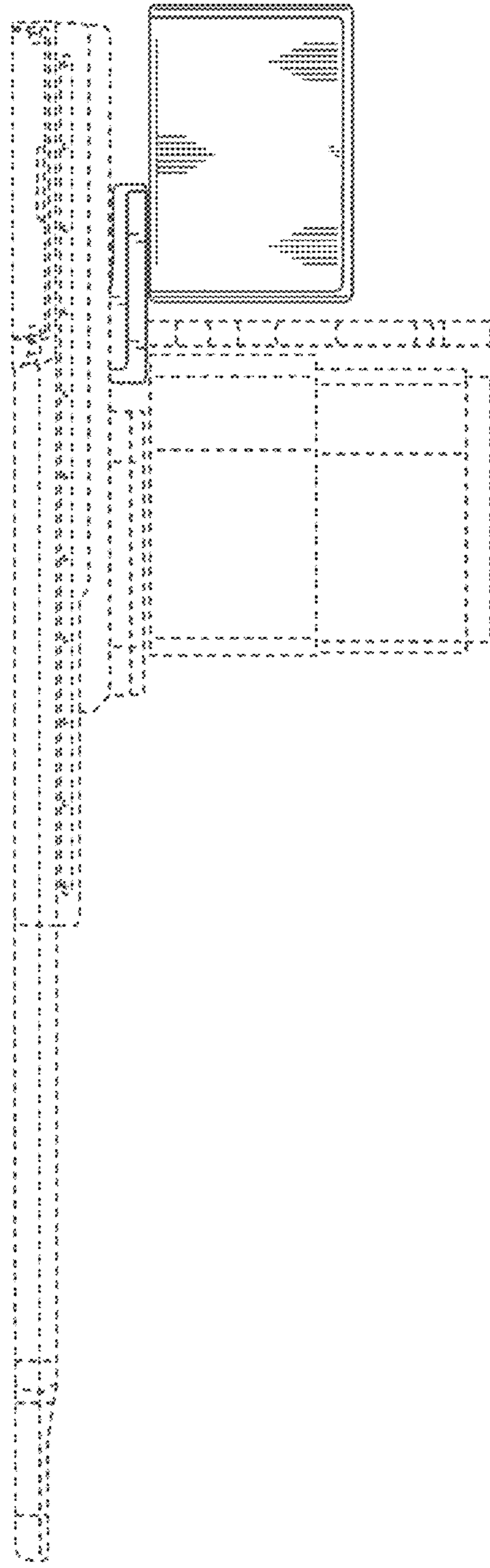


FIG. 5

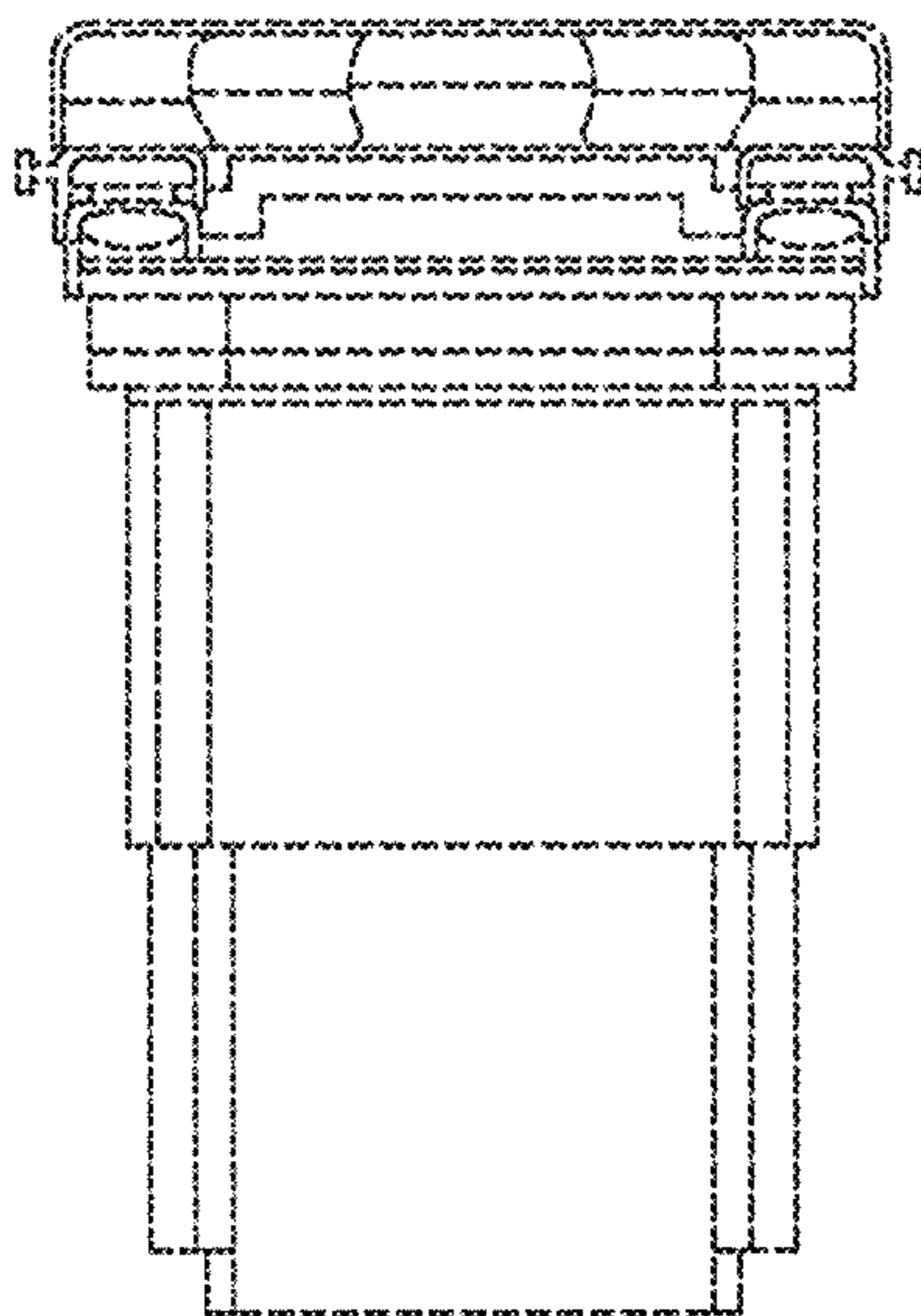


FIG. 6

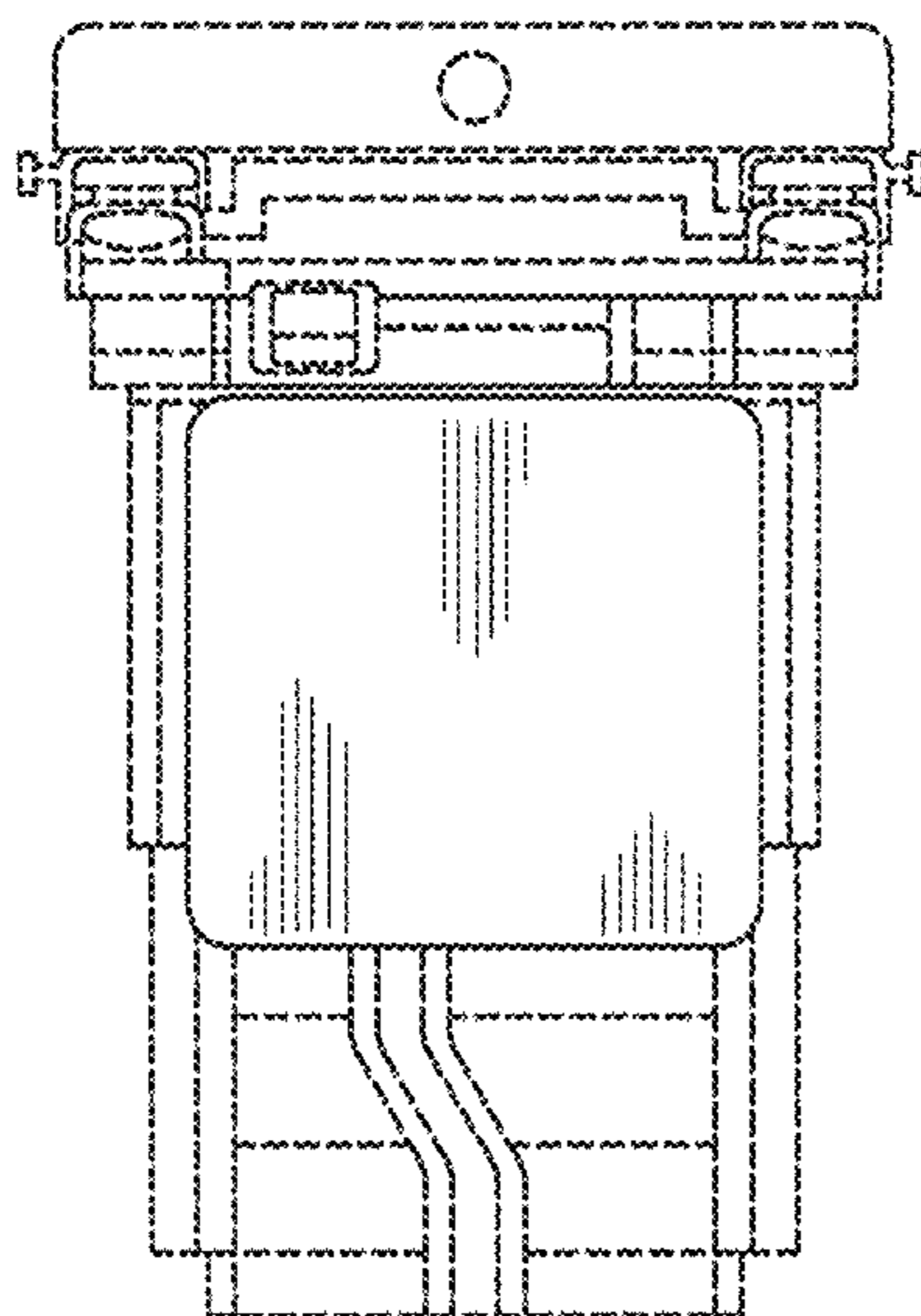


FIG. 7

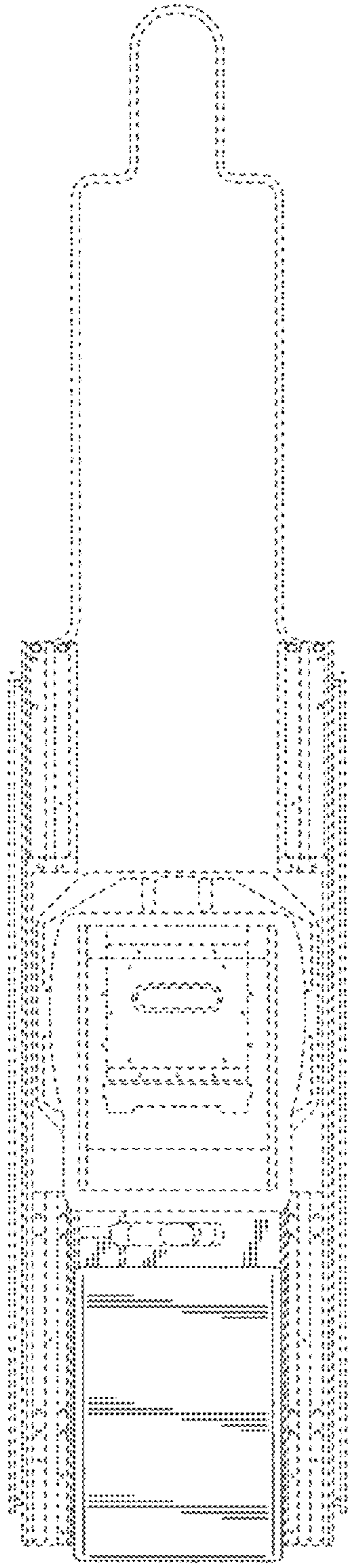


FIG. 8

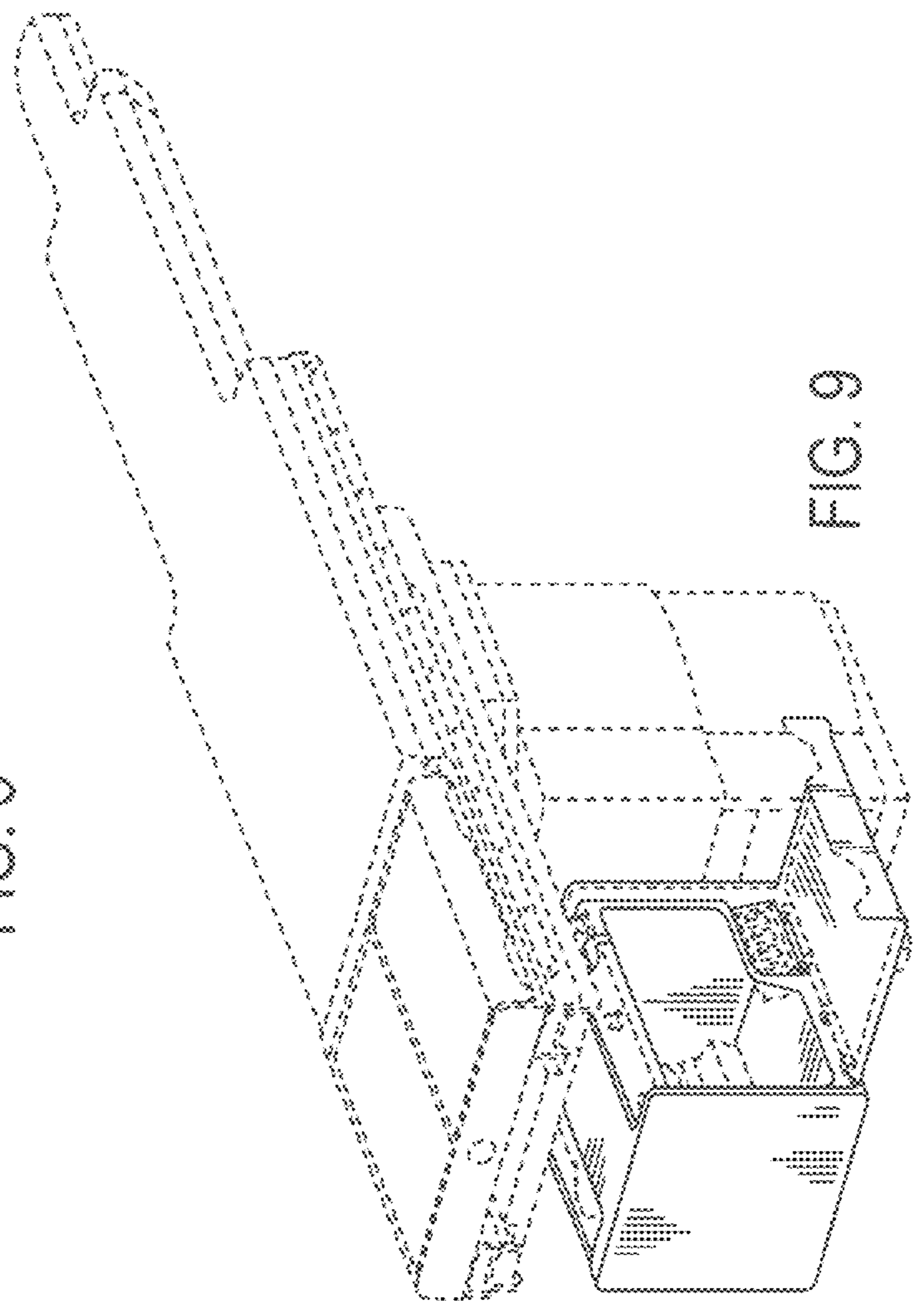


FIG. 9

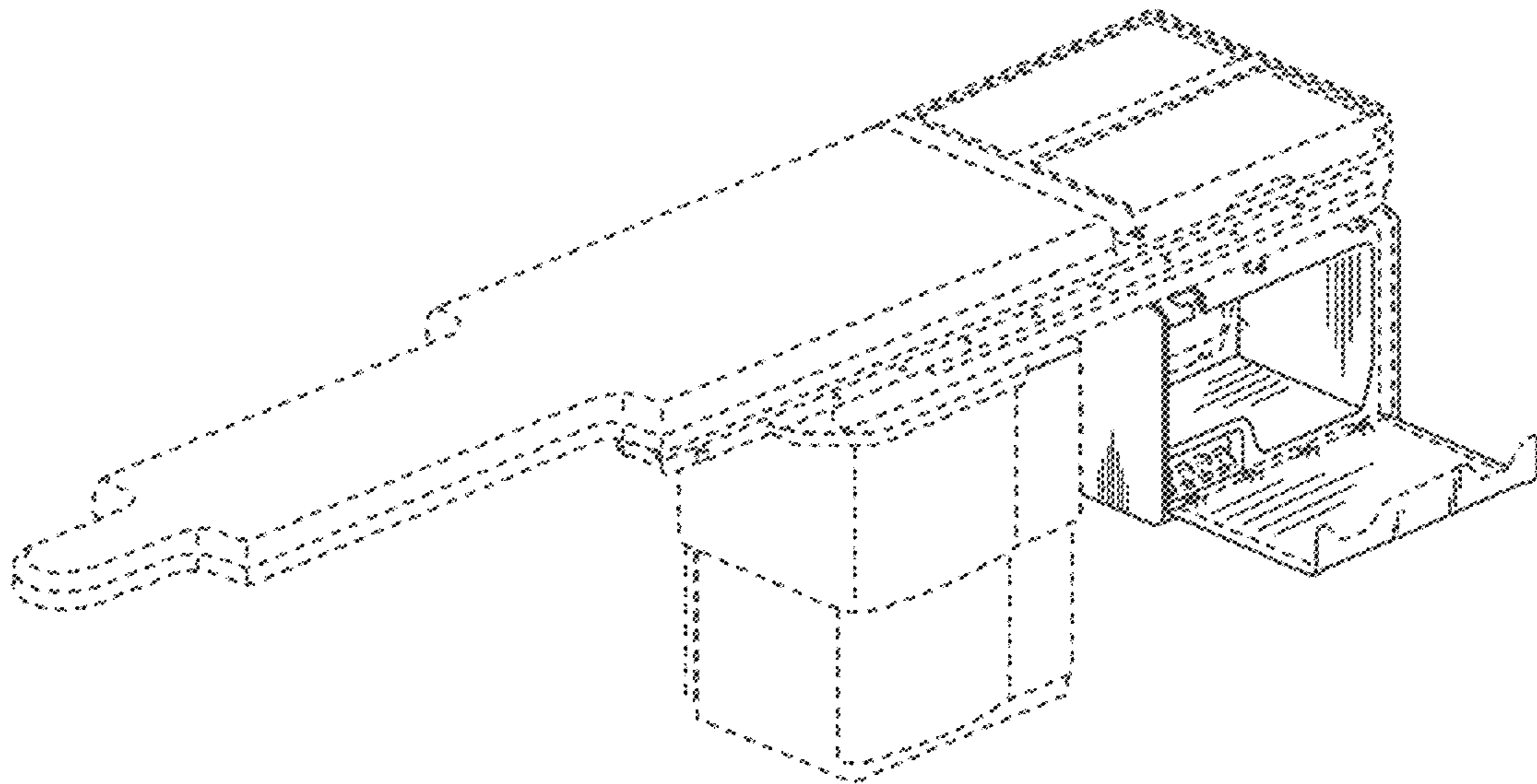


FIG. 10