



US00D901689S

(12) **United States Design Patent** (10) **Patent No.:** **US D901,689 S**
Schmidberger et al. (45) **Date of Patent:** **** Nov. 10, 2020**

(54) **BONE PUNCH**

(71) Applicant: **KARL STORZ SE & Co. KG**,
Tuttlingen (DE)

(72) Inventors: **Jochen Schmidberger**, Tuttlingen
(DE); **Karl-Heinz Haunschild**,
Mühlheim (DE); **Markus Rominger**,
Seitingen (DE)

(73) Assignee: **KARL STORZ SE & Co. KG**,
Tuttlingen (DE)

(**) Term: **15 Years**

(21) Appl. No.: **29/636,823**

(22) Filed: **Feb. 12, 2018**

(30) **Foreign Application Priority Data**

Aug. 11, 2017 (EM) 004143642-0004
Aug. 11, 2017 (EM) 004143642-0005
Aug. 11, 2017 (EM) 004143642-0006

(51) **LOC (12) Cl.** **24-02**

(52) **U.S. Cl.**
USPC **D24/147**

(58) **Field of Classification Search**

USPC D24/133, 143, 144, 145, 146, 147, 170
CPC . A61B 10/04; A61B 17/1604; A61B 17/1611;
A61B 17/1679; A61B 17/1688; A61B
17/24; A61B 17/29; A61B 17/32053;
A61B 2017/00398; A61B 2017/00464;
A61B 2017/00477; A61B 2017/2926;
A61B 2017/2946; A61B 2090/0813;
A61B 90/03; A61B 10/0096; A61B
10/025; A61B 17/1671; A61B 17/32002;
A61B 2010/0225; A61B 2017/0023;
A61B 2017/0046; A61B 2017/00473;
A61B 2017/00969; A61B 2017/292;
A61B 2017/2923

See application file for complete search history.

(56) **References Cited**

U.S. PATENT DOCUMENTS

D284,219 S * 6/1986 Green D24/145
5,273,519 A * 12/1993 Koros A61B 17/1611
606/170
D379,228 S * 5/1997 Rahimzadeh D24/143
5,961,531 A * 10/1999 Weber A61B 17/1611
604/22
6,126,674 A * 10/2000 Janzen A61B 17/1611
606/1
6,200,320 B1 * 3/2001 Michelson A61B 10/0096
606/170
D460,553 S * 7/2002 Koros D24/133
D463,859 S * 10/2002 Koros D24/147

(Continued)

Primary Examiner — Samantha Q Lawrence

(74) *Attorney, Agent, or Firm* — Muncy, Geissler, Olds &
Lowe, P.C.

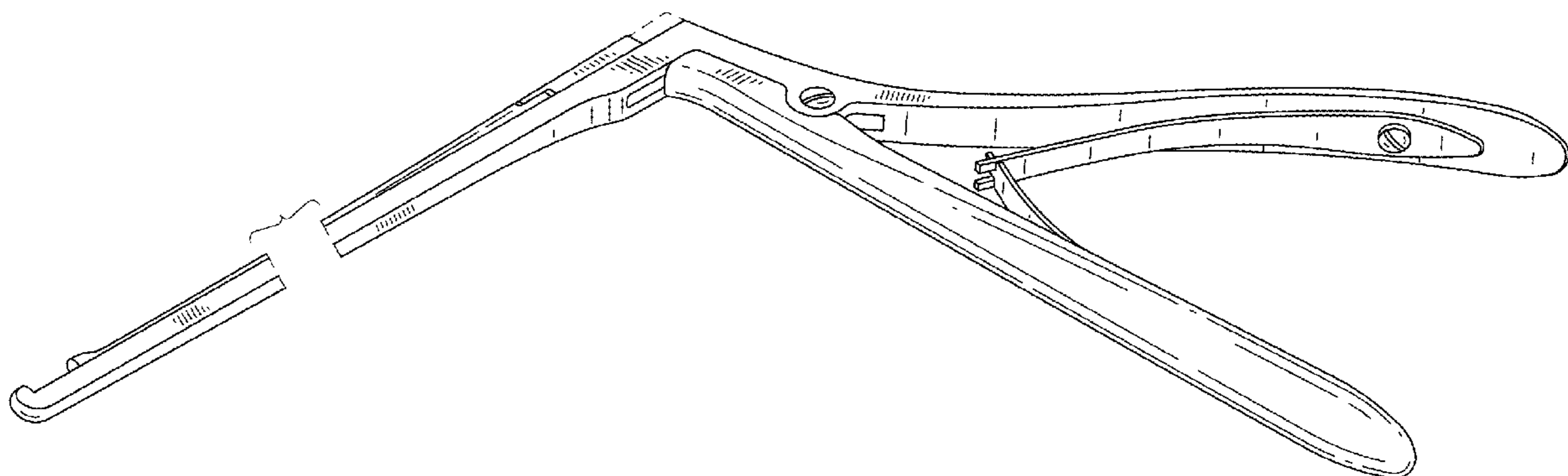
(57) **CLAIM**

The ornamental design for a bone punch, as shown and
described.

DESCRIPTION

FIG. 1 is a front perspective view of a bone punch.
FIG. 2 is a front view of the bone punch of FIG. 1.
FIG. 3 is a rear view of the bone punch of FIG. 1.
FIG. 4 is a left side view of the bone punch of FIG. 1.
FIG. 5 is a right side view of the bone punch of FIG. 1.
FIG. 6 is a top view of the bone punch of FIG. 1; and,
FIG. 7 is a bottom view of the bone punch of FIG. 1.
The broken lines shown in FIGS. 3, 4 and 6 illustrate
portions of the bone punch that form no part of the claimed
design.
The broken lines shown in FIGS. 1-7 illustrate a symbolic
break in length. The appearance of any portion of the bone
punch between the break lines forms no part of the claimed
design.

1 Claim, 7 Drawing Sheets



(56)

References Cited

U.S. PATENT DOCUMENTS

D465,281	S *	11/2002	Lang	D24/133
D535,398	S *	1/2007	Stammberger	D24/133
D548,836	S *	8/2007	Lang	D24/146
D611,146	S *	3/2010	Way	D24/133
D619,252	S *	7/2010	Way	D24/133
D619,253	S *	7/2010	Way	D24/133
D646,784	S *	10/2011	Solingen	D24/147
9,089,345	B2 *	7/2015	Funnell	A61B 17/1604
2009/0082799	A1 *	3/2009	Haunschild	A61B 17/1604 606/184
2019/0029704	A1 *	1/2019	Rominger	A61B 17/1611

* cited by examiner

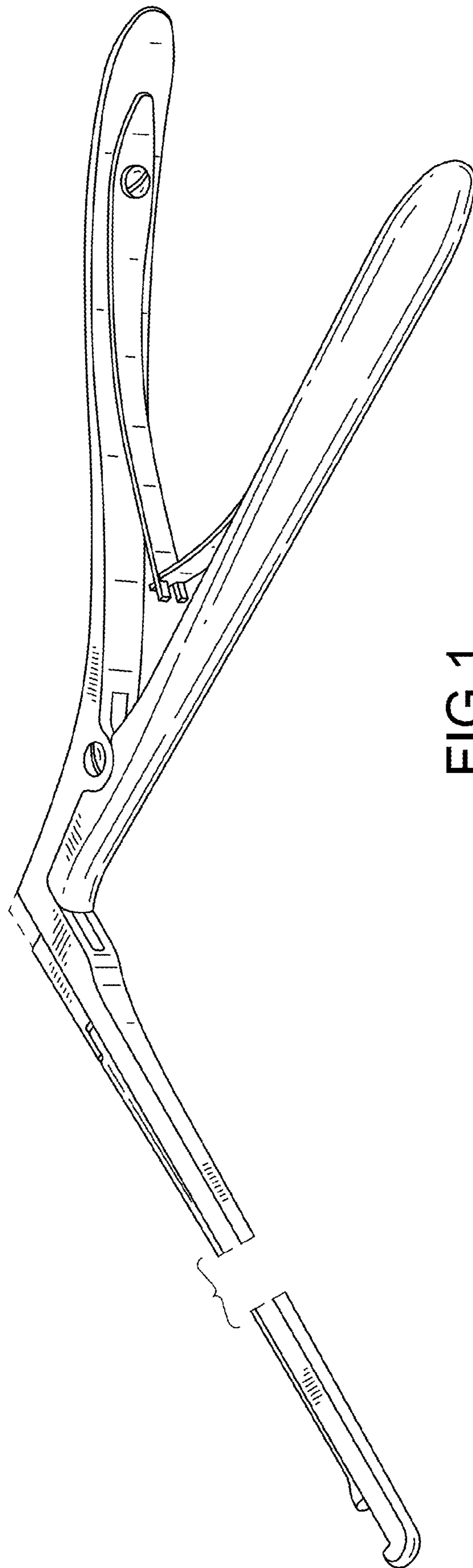


FIG.1

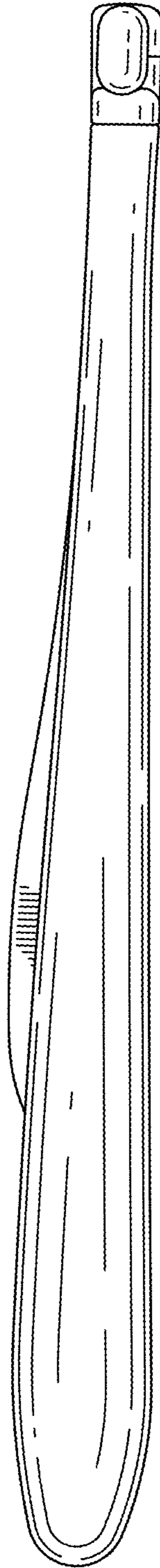


FIG.2

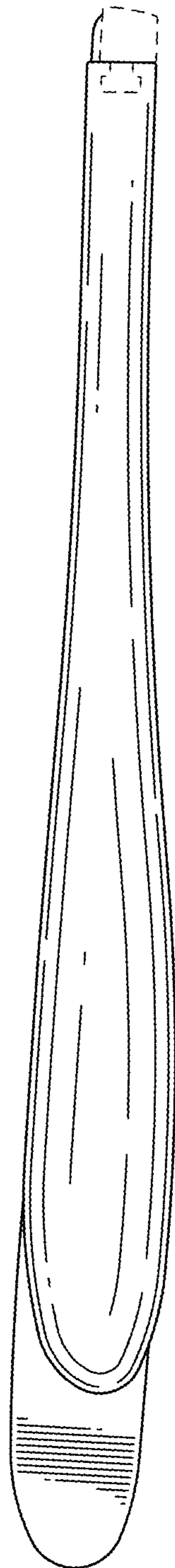


FIG.3

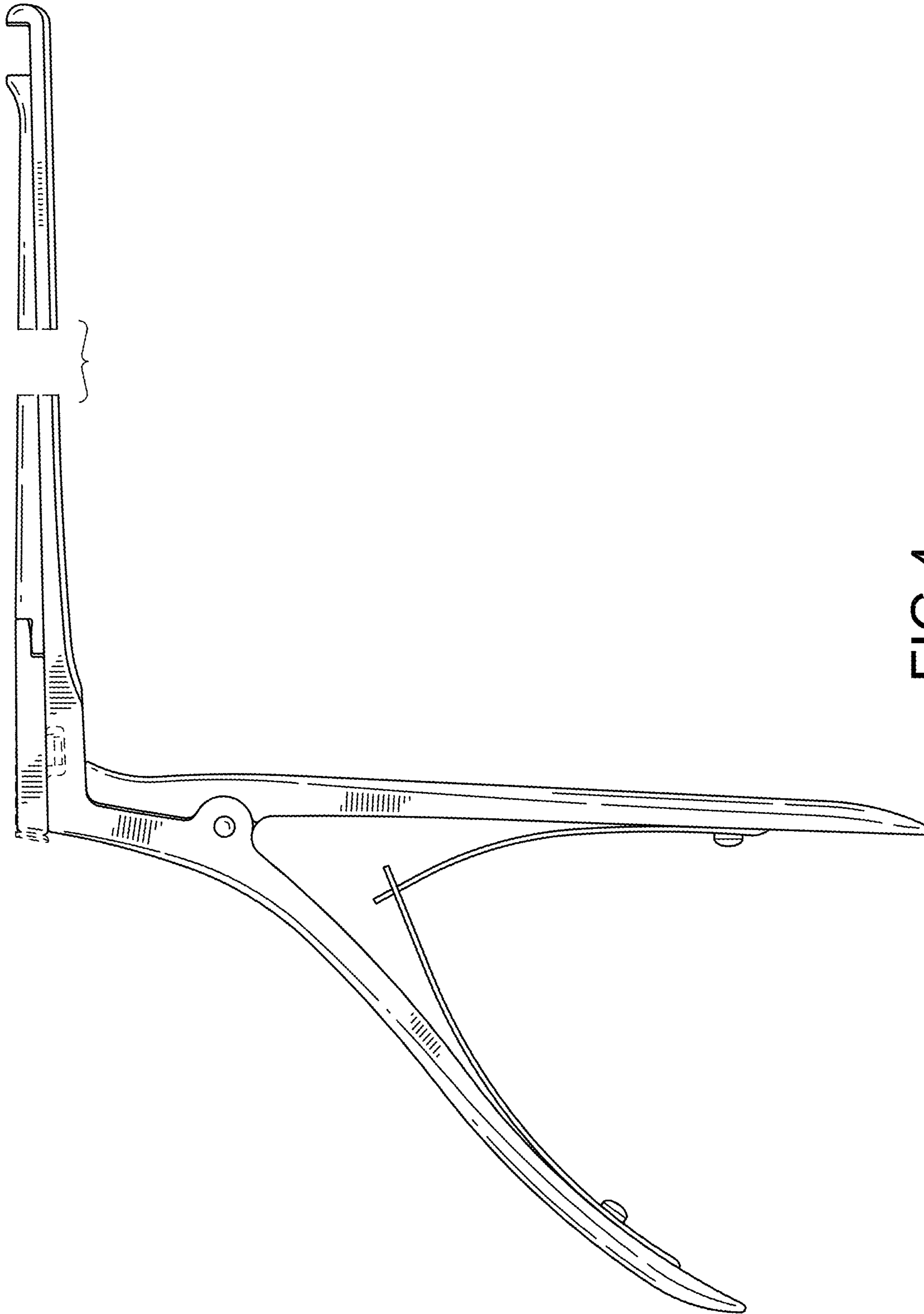


FIG.4

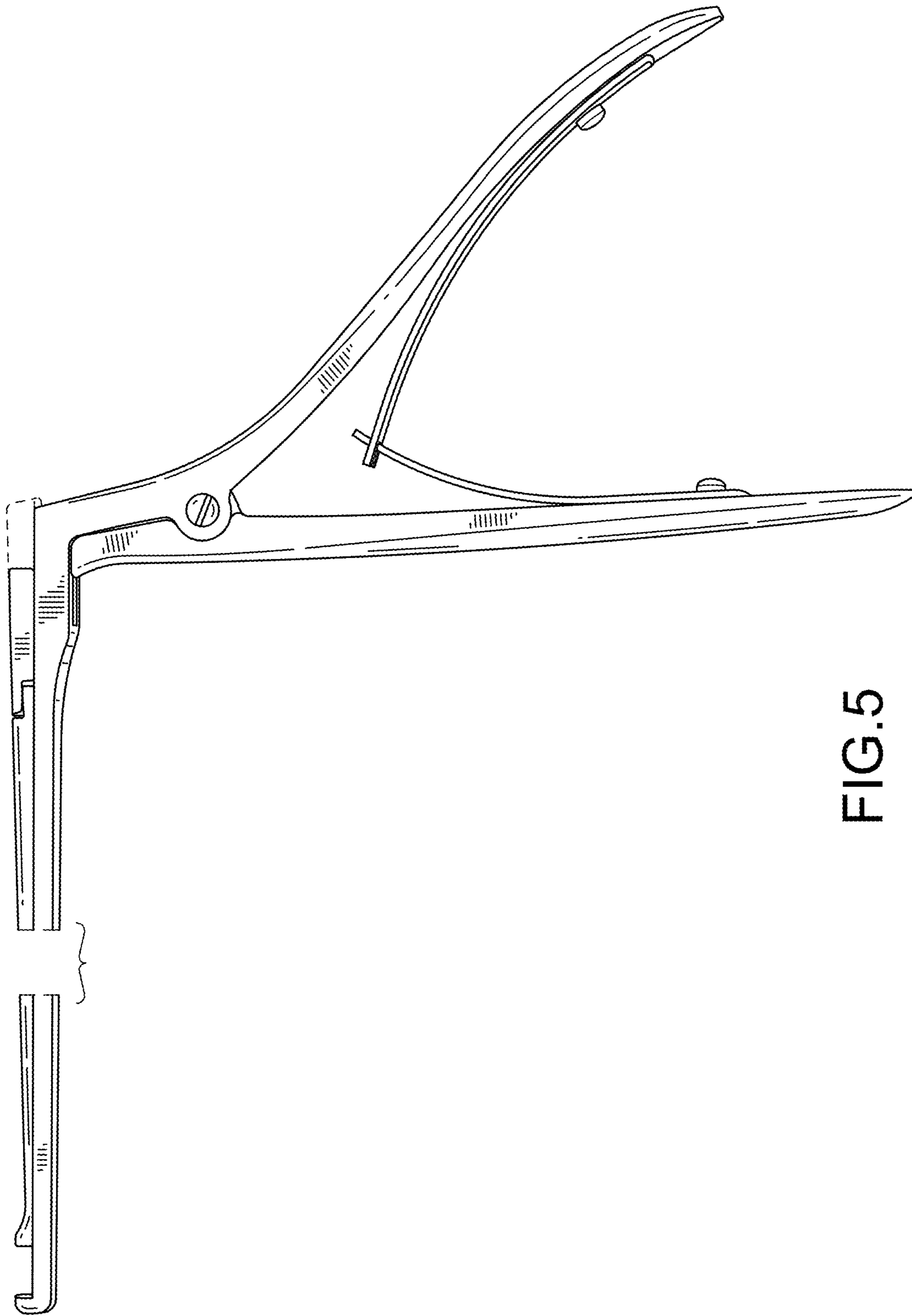


FIG.5



FIG.6

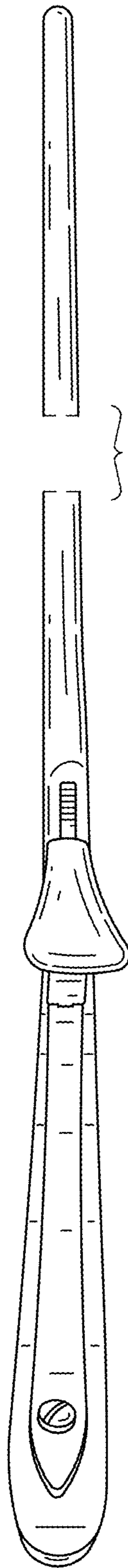


FIG.7