



US00D901688S

(12) **United States Design Patent** (10) **Patent No.:** **US D901,688 S**
Thouément et al. (45) **Date of Patent:** **** Nov. 10, 2020**

(54) **BONE PUNCH**

(71) Applicant: **Karl Storz SE & Co. KG**, Tuttlingen (DE)

(72) Inventors: **Yann Thouément**, Guyancourt (FR); **Régis Besse**, Guyancourt (FR)

(73) Assignee: **KARL STORZ SE & CO. KG**, Tuttlingen (DE)

(**) Term: **15 Years**

(21) Appl. No.: **29/677,125**

(22) Filed: **Jan. 17, 2019**

(30) **Foreign Application Priority Data**

Jul. 19, 2018 (EM) 005507555-0001

(51) **LOC (12) Cl.** **24-02**

(52) **U.S. Cl.**
USPC **D24/146; D24/147**

(58) **Field of Classification Search**

USPC D24/112, 113, 130, 133, 134, 135, 138, D24/144, 145, 146, 147, 148, 143, 170
CPC . A61B 17/29; A61B 17/0218; A61B 17/2909; A61B 17/282; A61B 17/295; A61B 2017/2926; A61B 10/04; A61B 10/0096; A61B 10/025; A61B 17/1604; A61B 17/1611; A61B 17/1679; A61B 17/1688; A61B 17/24; A61B 17/32053; A61B 17/1671; A61B 17/32002; A61B 2017/00398; A61B 2017/00464; A61B 2017/00477; A61B 2017/2946; A61B 2017/0023; A61B 2017/0046; A61B 2017/00473; A61B 2017/00969; A61B 2017/292; A61B 2017/2923; A61B 2090/0813; A61B 90/03; A61B 2010/0025

See application file for complete search history.

(56) **References Cited**

U.S. PATENT DOCUMENTS

4,027,510	A *	6/1977	Hiltebrandt	A61B 1/303 72/37
4,990,148	A *	2/1991	Worrick, III	A61B 17/1611 606/170
5,026,375	A *	6/1991	Linovitz	A61B 17/1611 30/349
5,273,519	A *	12/1993	Koros	A61B 17/1611 606/170
5,766,177	A *	6/1998	Lucas-Dean	A61B 17/1611 606/170
6,126,674	A *	10/2000	Janzen	A61B 17/1611 606/1
6,129,740	A *	10/2000	Michelson	A61B 17/2909 606/174
6,200,320	B1 *	3/2001	Michelson	A61B 10/0096 606/170
6,214,010	B1 *	4/2001	Farley	A61B 17/1611 606/83

(Continued)

Primary Examiner — T Chase Nelson

Assistant Examiner — Kelly L Gross

(74) *Attorney, Agent, or Firm* — Eversheds Sutherland (US) LLP

(57) **CLAIM**

The ornamental design for a bone punch, as shown and described.

DESCRIPTION

FIG. 1 is a perspective view of a bone punch showing our new design;
FIG. 2 is a right side view thereof;
FIG. 3 is a left side view thereof;
FIG. 4 is a front view thereof;
FIG. 5 is a rear view thereof:

(Continued)

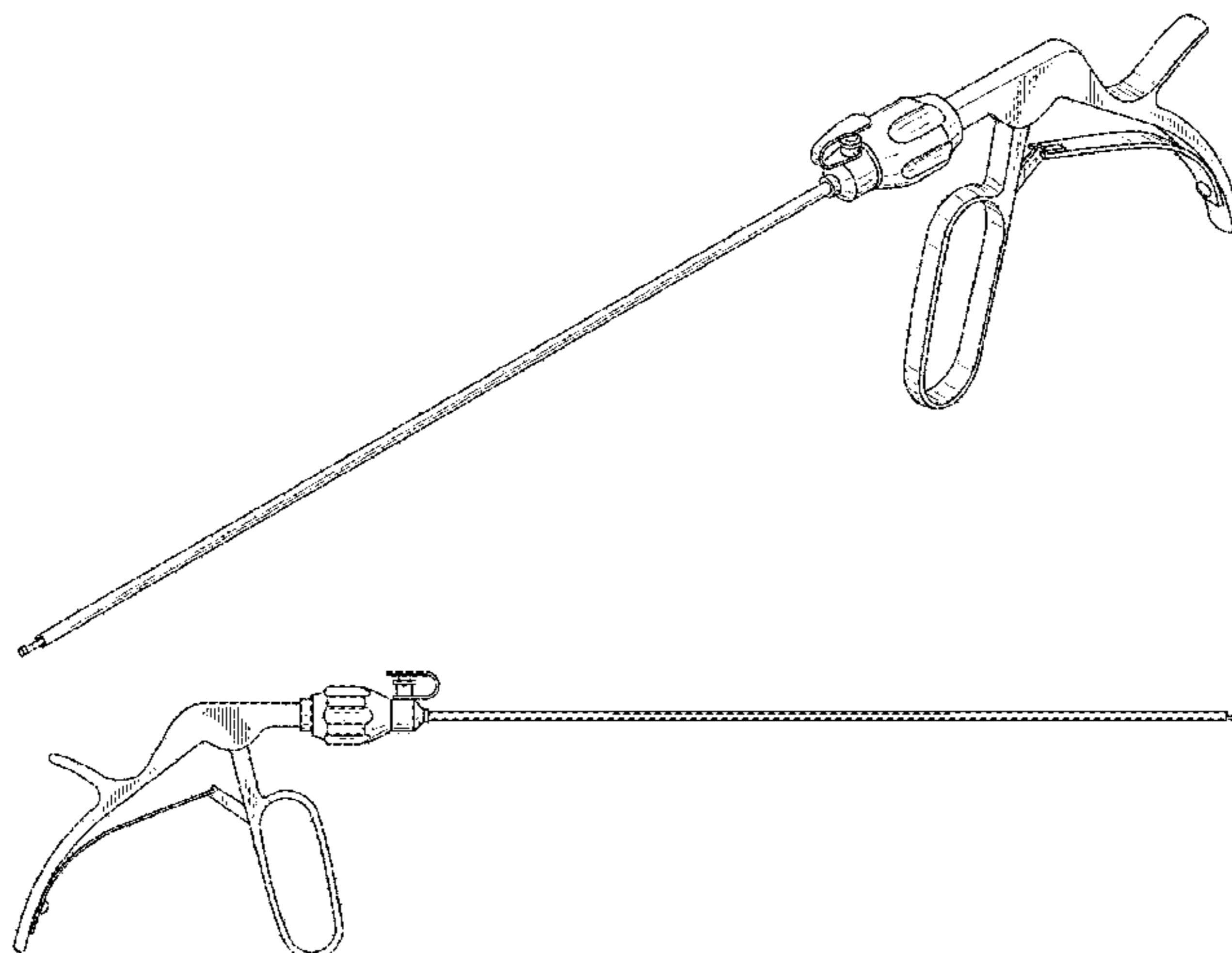


FIG. 6 is top view thereof; and,
FIG. 7 is a bottom view thereof.

1 Claim, 5 Drawing Sheets

(56)

References Cited

U.S. PATENT DOCUMENTS

6,379,364 B1 * 4/2002 Brace A61B 17/1728
606/86 R
D460,553 S * 7/2002 Koros D24/133
6,440,144 B1 * 8/2002 Bacher A61B 17/1285
606/142
D463,859 S * 10/2002 Koros D24/147
6,991,633 B2 * 1/2006 Agbodoe A61B 17/1611
606/170
D535,398 S * 1/2007 Stammberger D24/133
D562,982 S * 2/2008 Sullivan D24/147
D573,252 S * 7/2008 Peretti D24/113
D619,253 S * 7/2010 Way D24/147
D621,939 S * 8/2010 Way D24/147
8,657,823 B2 * 2/2014 Agbodoe A61B 17/1608
606/83
9,101,419 B2 * 8/2015 Colleran A61B 17/7275
9,168,046 B2 * 10/2015 Weisshaupt A61B 17/1611
9,226,757 B2 * 1/2016 Paul A61B 17/1604

D804,028 S * 11/2017 Linnenschmidt D24/145
D806,873 S * 1/2018 Preis D24/143
9,931,127 B2 * 4/2018 Kerboul A61B 17/1611
10,092,299 B2 * 10/2018 Redmond A61B 17/1611
10,292,698 B2 * 5/2019 Meade A61B 17/0469
10,292,714 B2 * 5/2019 King A61B 17/1671
10,543,002 B2 * 1/2020 Haleem A61B 17/1611
D884,173 S * 5/2020 Schmidberger D24/147
2004/0122433 A1 * 6/2004 Loubens A61B 17/1611
606/83
2006/0111737 A1 * 5/2006 Wenzler A61B 17/1611
606/184
2006/0122615 A1 * 6/2006 McKinley A61B 17/1611
606/83
2006/0241663 A1 * 10/2006 Rice A61B 17/8863
606/167
2010/0324583 A1 * 12/2010 Haag A61B 17/1611
606/185
2014/0100593 A1 * 4/2014 Sand A61B 17/32
606/167
2014/0257264 A1 * 9/2014 Smith A61B 18/1442
606/33
2014/0296858 A1 * 10/2014 Seel A61B 17/1606
606/83
2017/0086858 A1 * 3/2017 Schreider A61B 17/1611
2018/0206877 A1 * 7/2018 Rack A61B 17/32053
2018/0214162 A1 * 8/2018 King A61B 17/1671
2019/0029704 A1 * 1/2019 Rominger A61B 17/1611

* cited by examiner

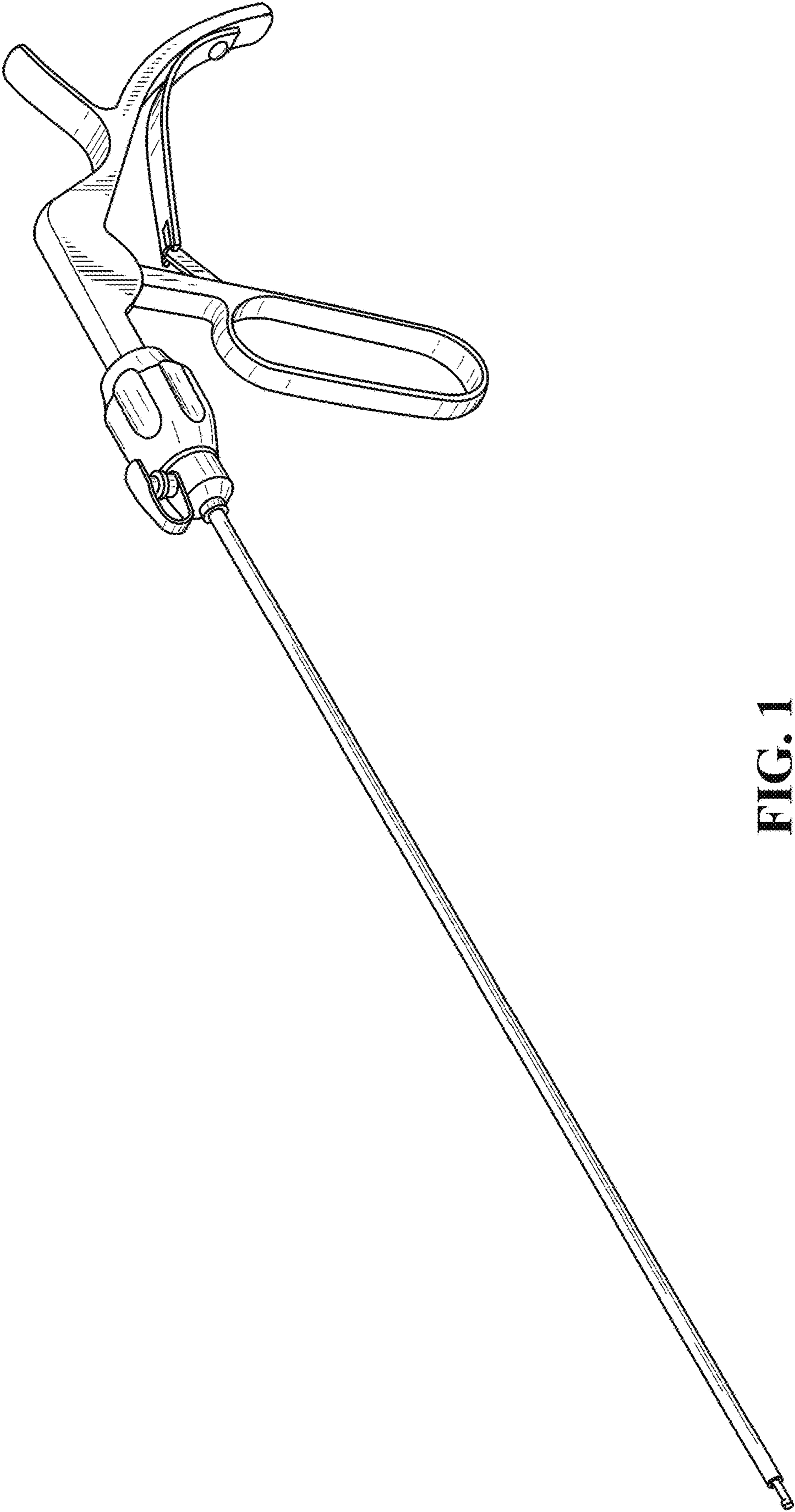


FIG. 1

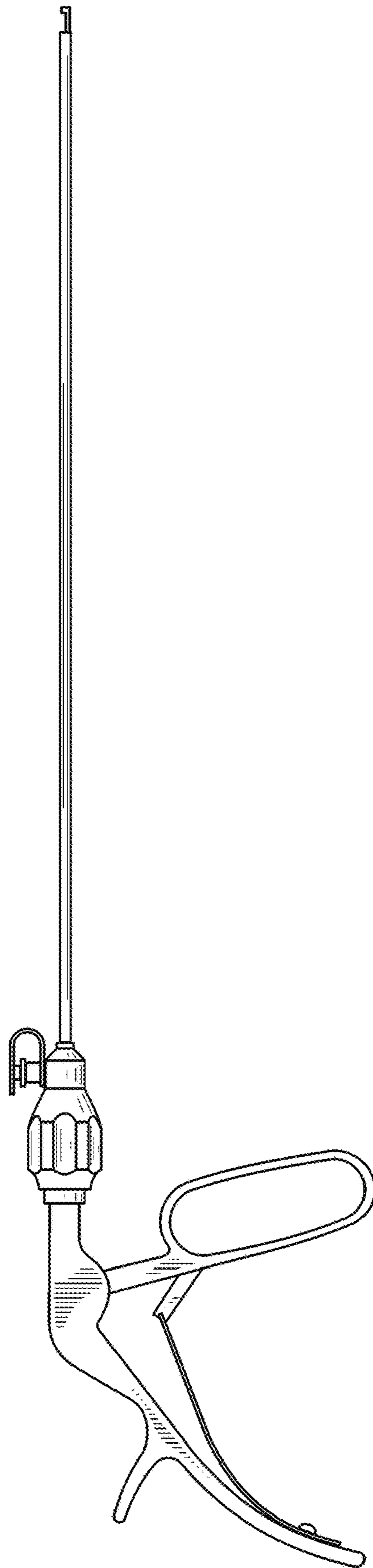


FIG. 2

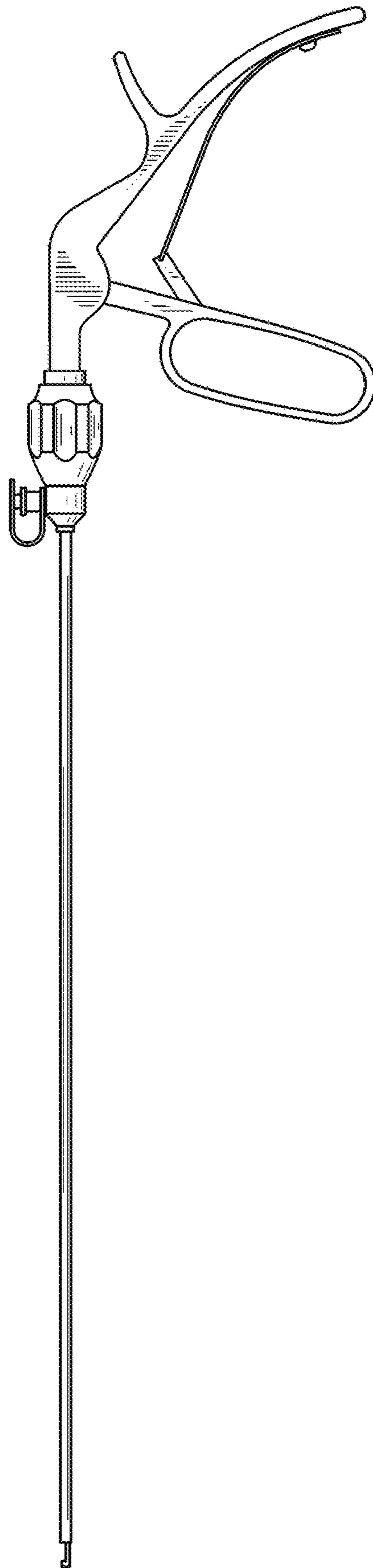


FIG. 3

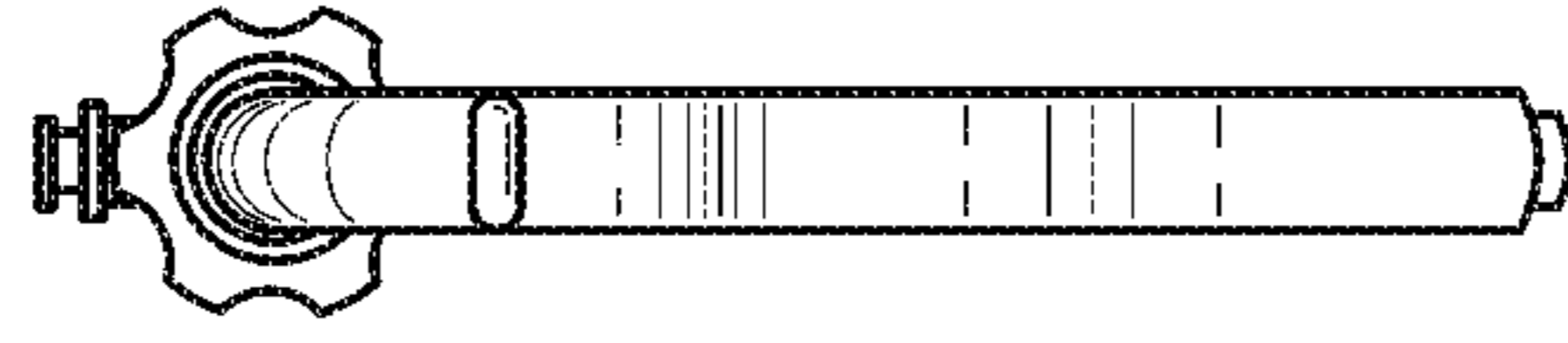


FIG. 5

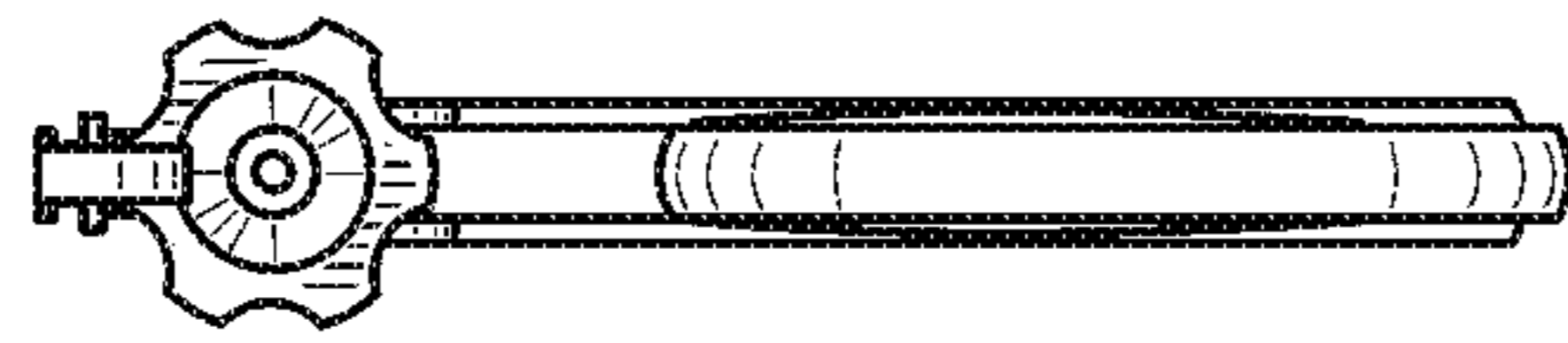


FIG. 4

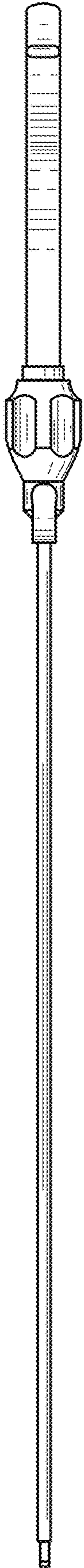


FIG. 6

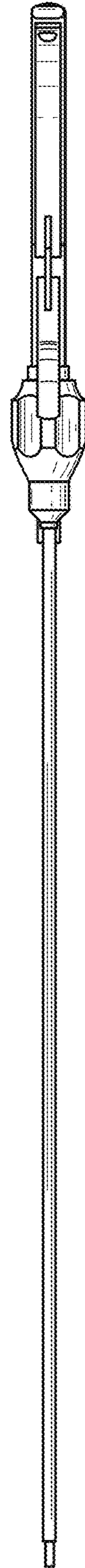


FIG. 7