



US00D901686S

(12) **United States Design Patent** (10) **Patent No.:** **US D901,686 S**
Barton et al. (45) **Date of Patent:** **** Nov. 10, 2020**

(54) **APPLICATOR FOR SURGICAL STAPLER BUTTRESS**

5,878,193 A 3/1999 Wang et al.
6,231,565 B1 5/2001 Tovey et al.
6,364,888 B1 4/2002 Niemeyer et al.

(Continued)

(71) Applicant: **Ethicon LLC**, Guaynabo, PR (US)

(72) Inventors: **Trevor J. Barton**, Cincinnati, OH (US);
Christopher J. Hess, Blue Ash, OH (US);
John V. Hunt, Cincinnati, OH (US);
Emily A. Schellin, Cincinnati, OH (US);
Michael J. Vendely, Lebanon, OH (US);
Mark S. Zeiner, Mason, OH (US)

FOREIGN PATENT DOCUMENTS

JP 1566434 S 1/2017

OTHER PUBLICATIONS

Non-Provisional U.S. Appl. No. 16/234,727, entitled "Surgical Stapler with Tissue Engagement Features Around Tissue Containment Pin," filed Dec. 28, 2018.

(Continued)

(73) Assignee: **Ethicon LLC**, Guaynabo, PR (US)

(**) Term: **15 Years**

Primary Examiner — Wan Laymon

(74) *Attorney, Agent, or Firm* — Frost Brown Todd LLC

(21) Appl. No.: **29/675,168**

(22) Filed: **Dec. 28, 2018**

(51) **LOC (12) Cl.** **24-02**

(52) **U.S. Cl.**
USPC **D24/145**

(58) **Field of Classification Search**
USPC D24/145
CPC . A61B 17/0682; A61B 17/068; A61B 17/072;
A61B 17/07292; A61B 17/07207
See application file for complete search history.

(57) **CLAIM**

The ornamental design for an applicator for a surgical stapler buttress, as shown and described.

DESCRIPTION

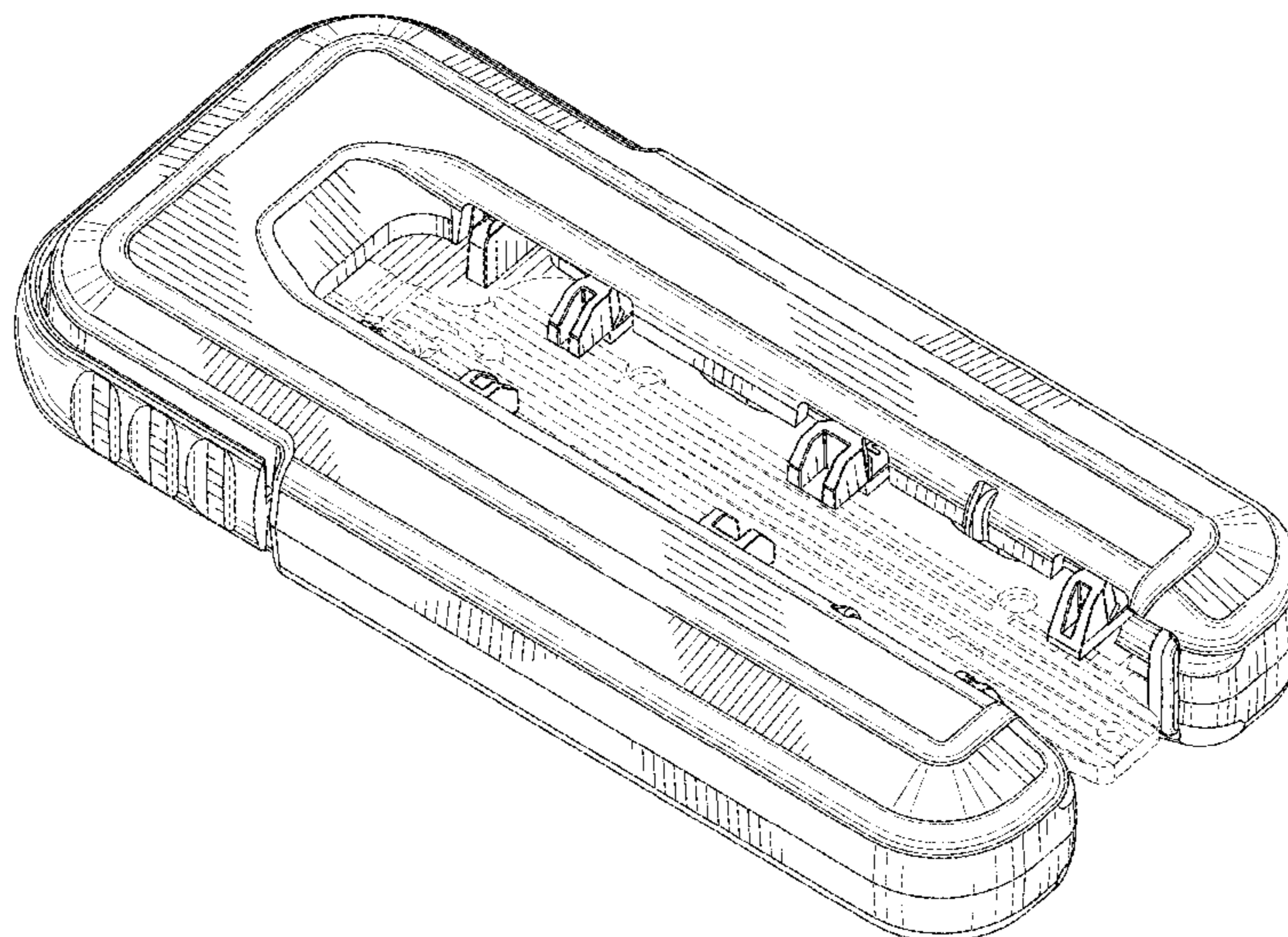
FIG. 1 is a perspective view of an applicator for a surgical stapler buttress, showing our new design; FIG. 2 is a front elevational view of the applicator for a surgical stapler buttress of FIG. 1, the opposite rear elevational view being a mirror image thereof; FIG. 3 is a right side elevational view of the applicator for a surgical stapler buttress of FIG. 1; FIG. 4 is a left side elevational view of the applicator for a surgical stapler buttress of FIG. 1; and, FIG. 5 is a top plan view of the applicator for a surgical stapler buttress of FIG. 1, the opposite bottom plan view being a mirror image thereof. The broken lines in the drawings are included for the purpose of defining the boundary of the claim, it being understood that the region between the broken lines and the broken lines themselves form no part of the claimed design.

(56) **References Cited**

U.S. PATENT DOCUMENTS

4,805,823 A	2/1989	Rothfuss	
D320,272 S *	9/1991	Green	D24/145
5,415,334 A	5/1995	Williamson, IV et al.	
5,465,895 A	11/1995	Knodel et al.	
5,597,107 A	1/1997	Knodel et al.	
5,632,432 A	5/1997	Schulze et al.	
5,673,840 A	10/1997	Schulze et al.	
5,704,534 A	1/1998	Huitema et al.	
5,792,135 A	8/1998	Madhani et al.	
5,814,055 A	9/1998	Knodel et al.	
5,817,084 A	10/1998	Jensen	

1 Claim, 4 Drawing Sheets



(56)

References Cited

U.S. PATENT DOCUMENTS					
6,783,524 B2	8/2004	Anderson et al.		2003/0120284 A1 *	6/2003 Palacios A61B 17/07207 606/139
6,939,358 B2 *	9/2005	Palacios A61B 17/07207 606/151		2005/0070929 A1 *	3/2005 Dalessandro A61B 17/07207 606/151
6,978,921 B2	12/2005	Shelton, IV et al.		2005/0139636 A1	6/2005 Schwemberger et al.
6,988,650 B2	1/2006	Schwemberger et al.		2005/0143759 A1	6/2005 Kelly
7,000,818 B2	2/2006	Shelton, IV et al.		2005/0145672 A1	7/2005 Schwemberger et al.
7,134,587 B2	11/2006	Schwemberger et al.		2008/0169328 A1	7/2008 Shelton
7,143,923 B2	12/2006	Shelton, IV et al.		2009/0095791 A1 *	4/2009 Eskaros A61B 17/072 227/175.1
7,147,139 B2	12/2006	Schwemberger et al.		2012/0241493 A1	9/2012 Baxter, III et al.
7,147,140 B2	12/2006	Wukusick et al.		2013/0068816 A1	3/2013 Vasudevan et al.
7,204,404 B2	4/2007	Nguyen et al.		2013/0075447 A1	3/2013 Weisenburgh et al.
7,207,472 B2	4/2007	Wukusick et al.		2013/0206813 A1	8/2013 Nalagatla
7,303,108 B2	12/2007	Shelton, IV		2014/0239037 A1	8/2014 Boudreaux et al.
7,367,485 B2	5/2008	Shelton, IV et al.		2015/0351758 A1	12/2015 Shelton, IV et al.
7,380,695 B2	6/2008	Doll et al.		2016/0089146 A1	3/2016 Harris et al.
7,380,696 B2	6/2008	Shelton, IV et al.		2016/0278774 A1	9/2016 Shelton, IV et al.
7,404,508 B2	7/2008	Smith et al.		2017/0027571 A1	2/2017 Nalagatla et al.
7,434,715 B2	10/2008	Shelton, IV et al.		2017/0049444 A1	2/2017 Schellin et al.
7,524,320 B2	4/2009	Tierney et al.		2017/0055980 A1	3/2017 Vendely et al.
7,644,848 B2	1/2010	Swayze et al.		2017/0055981 A1	3/2017 Vendely et al.
7,691,098 B2	4/2010	Wallace et al.		2017/0055982 A1	3/2017 Zeiner et al.
7,721,930 B2	5/2010	McKenna et al.		2017/0055986 A1	3/2017 Harris et al.
7,806,891 B2	10/2010	Nowlin et al.		2017/0056016 A1	3/2017 Barton et al.
8,141,762 B2	3/2012	Bedi et al.		2017/0056017 A1	3/2017 Vendely et al.
8,210,411 B2	7/2012	Yates et al.		2017/0056018 A1	3/2017 Zeiner et al.
8,371,491 B2	2/2013	Huitema et al.		2017/0086823 A1	3/2017 Leimbach et al.
8,408,439 B2	4/2013	Huang et al.		2017/0086837 A1	3/2017 Vendely et al.
8,453,914 B2	6/2013	Laurent et al.		2017/0086842 A1	3/2017 Shelton, IV et al.
8,479,969 B2	7/2013	Shelton, IV		2017/0119386 A1 *	5/2017 Scheib A61B 17/07207
8,573,461 B2	11/2013	Shelton, IV et al.		2017/0119391 A1 *	5/2017 Schellin A61B 17/068
8,573,465 B2	11/2013	Shelton, IV		2018/0235610 A1	8/2018 Harris et al.
8,579,990 B2	11/2013	Priewe		2018/0235611 A1	8/2018 Harris et al.
8,602,288 B2	12/2013	Shelton, IV et al.		2018/0235616 A1 *	8/2018 Shelton, IV A61B 17/07207
8,616,431 B2	12/2013	Timm et al.		2018/0235617 A1 *	8/2018 Shelton, IV A61B 17/072
8,783,541 B2	7/2014	Shelton, IV et al.		2018/0235619 A1	8/2018 Harris et al.
8,800,838 B2	8/2014	Shelton, IV		2018/0235622 A1 *	8/2018 Shelton, IV A61B 17/07207
8,801,735 B2	8/2014	Shelton, IV et al.		2019/0000481 A1	1/2019 Harris et al.
8,814,025 B2	8/2014	Miller et al.		2019/0175173 A1 *	6/2019 Harris A61B 17/07207
8,820,605 B2	9/2014	Shelton, IV		2020/0015817 A1 *	1/2020 Harris A61B 17/07207
8,844,789 B2	9/2014	Shelton, IV et al.			
8,899,464 B2	12/2014	Hueil et al.			
8,992,060 B2	4/2015	Dassanayake et al.			
8,998,060 B2	4/2015	Bruewer et al.			
9,101,359 B2	8/2015	Smith et al.			
9,186,142 B2	11/2015	Fanelli et al.			
9,198,644 B2	12/2015	Balek et al.			
9,211,120 B2	12/2015	Scheib et al.			
9,301,759 B2	4/2016	Spivey et al.			
9,393,018 B2	7/2016	Wang et al.			
9,398,911 B2	7/2016	Auld et al.			
9,492,170 B2	11/2016	Bear et al.			
9,517,065 B2	12/2016	Simms et al.			
9,597,082 B2	3/2017	Stokes et al.			
9,622,746 B2	4/2017	Simms et al.			
9,717,497 B2	8/2017	Zerkle et al.			
9,795,379 B2	10/2017	Leimbach et al.			
9,808,248 B2	11/2017	Hoffman			
9,839,421 B2	12/2017	Zerkle et al.			
9,848,871 B2	12/2017	Harris et al.			
9,867,615 B2	1/2018	Fanelli et al.			
9,913,642 B2	3/2018	Leimbach et al.			
9,936,954 B2	4/2018	Shelton, IV et al.			
9,999,408 B2	6/2018	Boudreaux et al.			
10,045,780 B2	8/2018	Adams et al.			
10,092,292 B2	10/2018	Boudreaux et al.			
D833,010 S	11/2018	Harris et al.			
10,123,798 B2	11/2018	Baxter, III et al.			
D836,198 S	12/2018	Harris et al.			
D836,199 S	12/2018	Schowalter et al.			
10,166,023 B2 *	1/2019	Vendely A61B 17/07207			
10,251,649 B2 *	4/2019	Schellin A61B 17/07292			
10,342,532 B2 *	7/2019	Zeiner A61B 17/07292			
10,349,939 B2	7/2019	Shelton, IV et al.			
10,433,839 B2 *	10/2019	Scheib A61B 17/07207			
10,639,039 B2 *	5/2020	Vendely A61B 17/07292			

OTHER PUBLICATIONS

Non-Provisional U.S. Appl. No. 16/234,740, entitled "Surgical Stapler with Sloped Staple Deck for Varying Tissue Compression," filed Dec. 28, 2018.

Non-Provisional U.S. Appl. No. 16/235,473, entitled "Adhesive Distribution on Buttress for Surgical Stapler," filed Dec. 28, 2018.

Non-Provisional U.S. Appl. No. 16/235,488, entitled "Configuration of Buttress for Surgical Stapler," filed Dec. 28, 2018.

Non-Provisional U.S. Appl. No. 16/235,503, entitled "Surgical Stapler Buttress with Tissue In-Growth Promotion," filed Dec. 28, 2018.

Non-Provisional U.S. Appl. No. 16/235,522, entitled "Applicator for Surgical Stapler Buttress," filed Dec. 28, 2018.

Non-Provisional U.S. Appl. No. 16/235,541, entitled "Packaging for Surgical Stapler Buttress," filed Dec. 28, 2018.

Non-Provisional U.S. Appl. No. 16/235,617, entitled "Method of Applying Buttresses to Surgically Cut and Stapled Sites," filed Dec. 28, 2018.

Non-Provisional U.S. Appl. No. 16/235,630, entitled "Curved Tip Surgical Buttress Applicator with Opening Feature for Curved Tip Alignment," filed Dec. 28, 2018.

Non-Provisional U.S. Appl. No. 16/235,670, entitled "Curved Tip Surgical Buttress Assembly Applicator with Proximal Alignment Features," filed Dec. 28, 2018.

Non-Provisional U.S. Appl. No. 16/235,681, entitled "Curved Tip Surgical Buttress Assembly Applicator with Compression Layer Pocket Features," filed Dec. 28, 2018.

Design U.S. Appl. No. 29/675,045, entitled "Surgical Stapler Deck with Tissue Engagement Cleat Features," filed Dec. 28, 2018.

Design U.S. Appl. No. 29/675,047, entitled "Surgical Stapler Deck with Tissue Engagement Recess Features," filed Dec. 28, 2018.

(56)

References Cited

OTHER PUBLICATIONS

Design U.S. Appl. No. 29/675,170, entitled "Buttress for Surgical Stapler," filed Dec. 28, 2018.

Design U.S. Appl. No. 29/675,172, entitled "Tray for Surgical Stapler Buttress Applicator," filed Dec. 28, 2018.

Design U.S. Appl. No. 29/675,197, entitled "Applicator for a Stapler Buttress," filed Dec. 28, 2018.

Design U.S. Appl. No. 29/675,199, entitled "Buttress Assembly for a Surgical Stapler," filed Dec. 28, 2018.

Provisonal U.S. Appl. No. 62/209,041, entitled "Method and Apparatus for Applying a Buttress to End Effector of a Surgical Stapler," filed Aug. 24, 2015.

Japanese Office Action, Notification, dated Jun. 23, 2020 for Application No. JP 2019-014271, 1 pg.

* cited by examiner

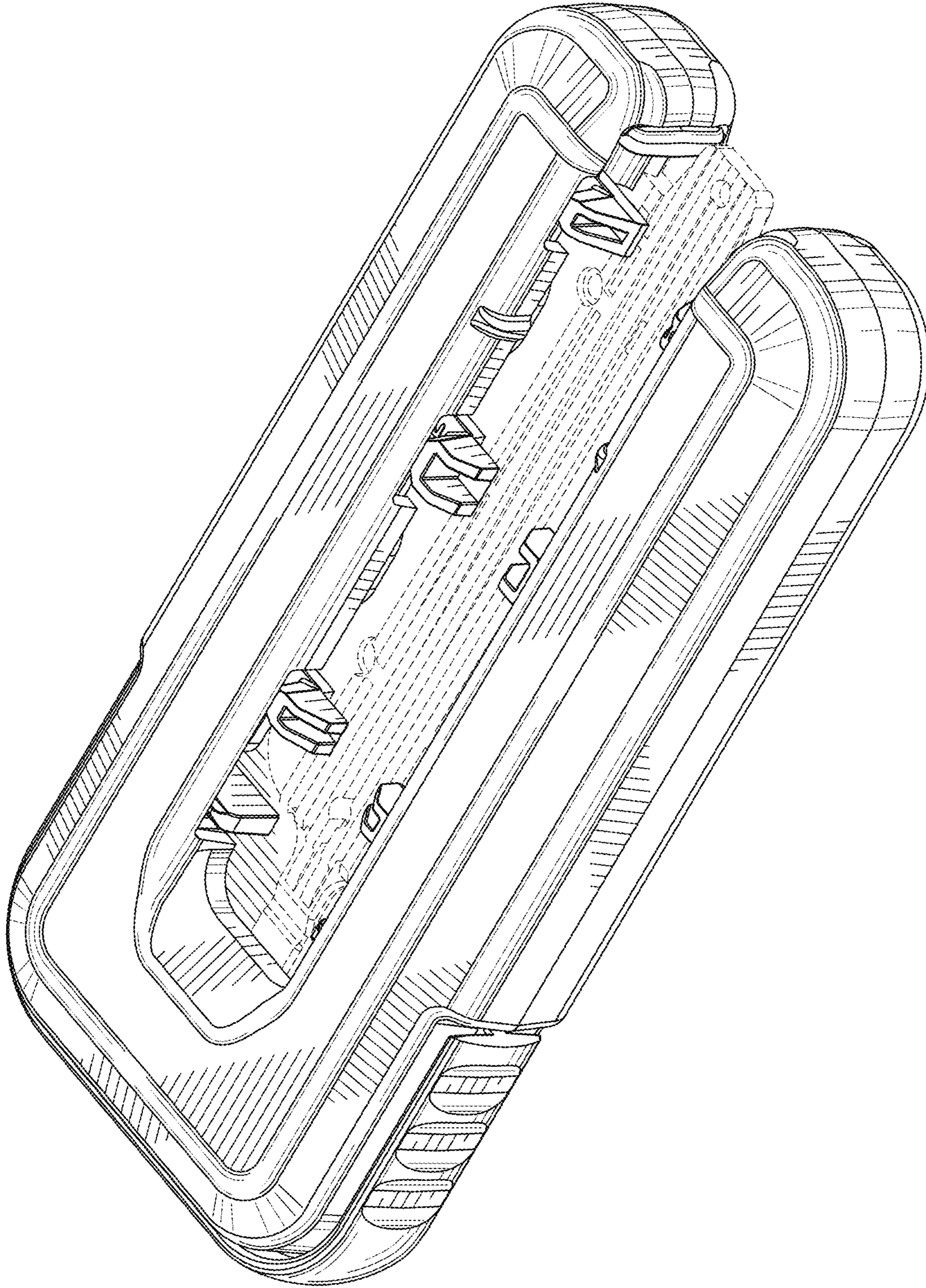


Fig. 1

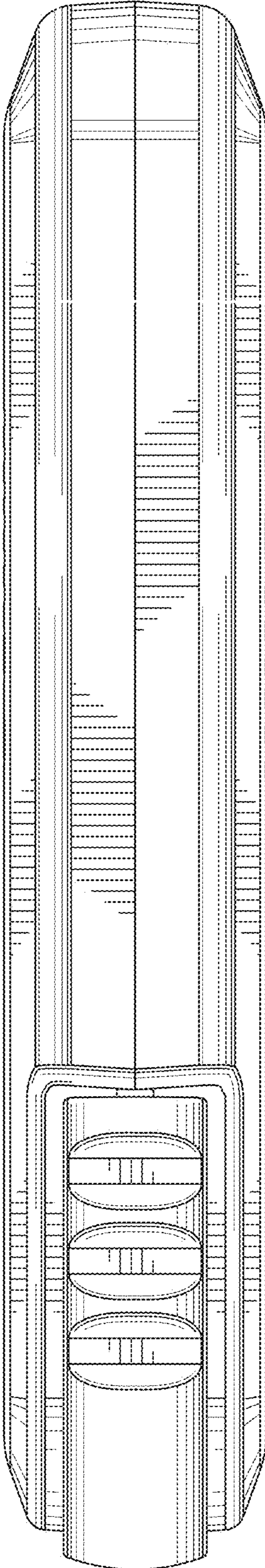


Fig. 2

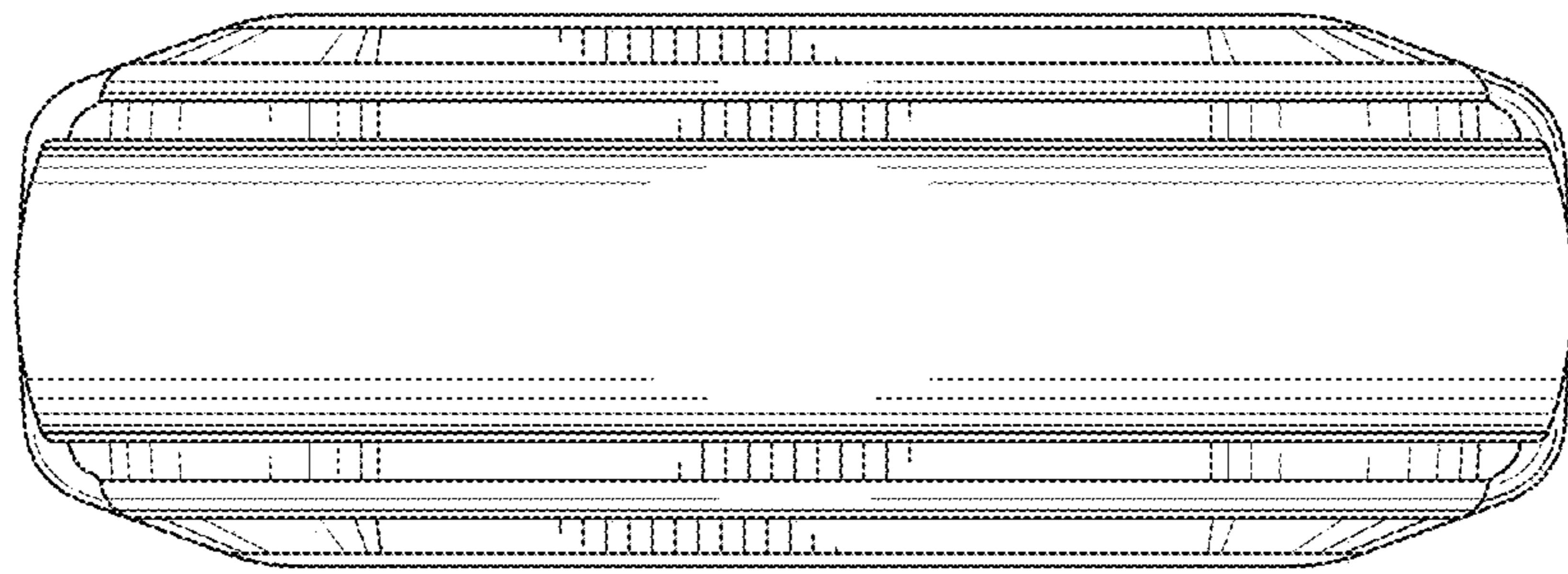


Fig. 3

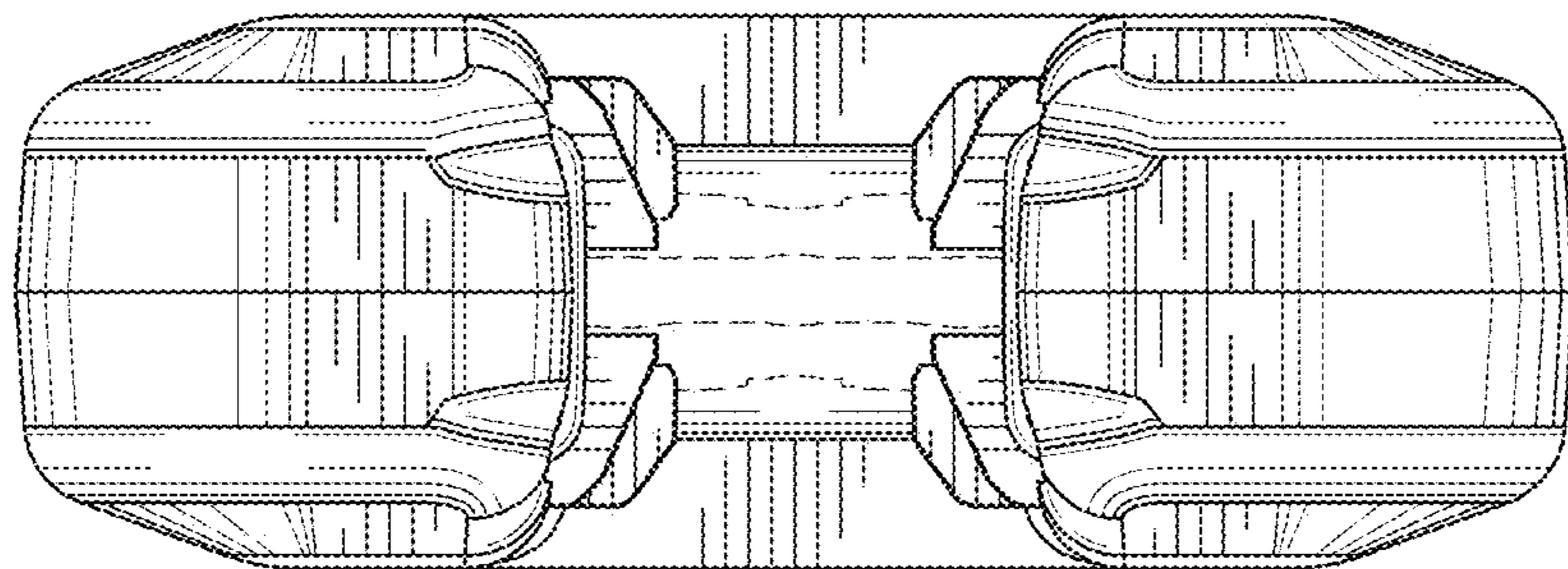


Fig. 4

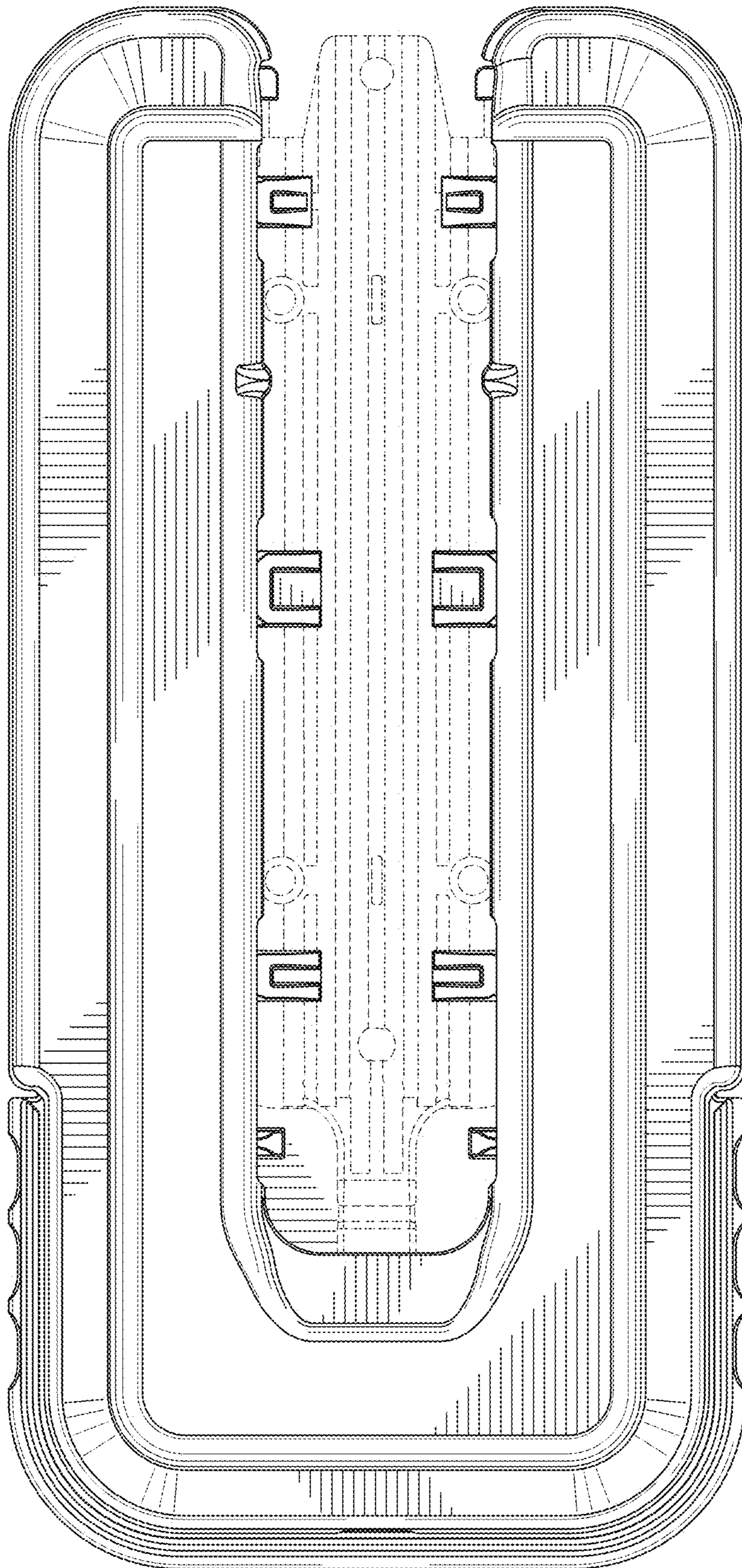


Fig. 5