



US00D901685S

(12) **United States Design Patent** (10) **Patent No.:** **US D901,685 S**
Wang (45) **Date of Patent:** **** Nov. 10, 2020**

(54) **TATTOO MACHINE PEN**
(71) Applicant: **HAWINK INC**, Denver, CO (US)
(72) Inventor: **Quansen Wang**, Yiwu (CN)

2017/0157382 A1* 6/2017 Siciliano A61M 37/0076
2018/0056054 A1* 3/2018 Siciliano A61M 37/0076
2018/0369553 A1* 12/2018 Siciliano A61B 17/3476
2019/0209823 A1* 7/2019 Veil A61M 37/0076
2020/0121904 A1* 4/2020 Kubin A61M 37/0076

(73) Assignee: **Hawink Inc**, Denver, CO (US)

OTHER PUBLICATIONS

(**) Term: **15 Years**

FK Irons Spektra Xion Cosmic Storm. Retrieved on Jun. 15, 2020. Retrieved from the Internet: https://www.tatsoul.com/supplies/index.php?main_page=product_info&products_id=20287&utm_source=google&utm_medium=paidsearch&utm_campaign=20200413_smart_shopping_no_medical&gclid=EALalQobC...
Hawink Rotary Tattoo Pen Professional Tattoo Machine DC 5.5 Cord Japan Coreless Motor CNC Pfarrer P1. Reviewed date: Aug. 7, 2019. Retrieved on Jun. 15, 2020. Retrieved from the Internet: <https://www.amazon.com/Hawink-Professional-Machine-Coreless-PFARRER/dp/B07P8X8PQ8?th=1>.

(21) Appl. No.: **29/692,163**

(22) Filed: **May 23, 2019**

(30) **Foreign Application Priority Data**

Mar. 18, 2019 (CN) 2019 3 0111363

(51) **LOC (12) Cl.** **24-02**

(52) **U.S. Cl.**
USPC **D24/144**; D24/146

(58) **Field of Classification Search**
USPC D24/133, 140, 144, 146-147; 81/9.22;
606/9, 186

CPC A61M 37/0076; A61M 37/0084; A61M 37/00; A61M 5/46; A61M 5/48

See application file for complete search history.

* cited by examiner

Primary Examiner — Wan Laymon

(74) *Attorney, Agent, or Firm* — Bay State IP, LLC

(56) **References Cited**

U.S. PATENT DOCUMENTS

D723,685 S * 3/2015 Myers A61M 37/0076
D24/133
D805,195 S * 12/2017 Lee D24/144
D805,198 S * 12/2017 Lee D24/144
D805,640 S * 12/2017 Lee D24/144
D839,425 S * 1/2019 Zanata D24/144
D865,965 S * 11/2019 Siciliano D24/146
2008/0306502 A1* 12/2008 Lisec A61M 37/0076
606/186
2015/0352346 A1* 12/2015 Webb A61M 37/0076
606/185
2015/0359559 A1* 12/2015 Scherkowski A61M 37/0076
606/186
2015/0367118 A1* 12/2015 Scherkowski A61M 37/0076
606/186

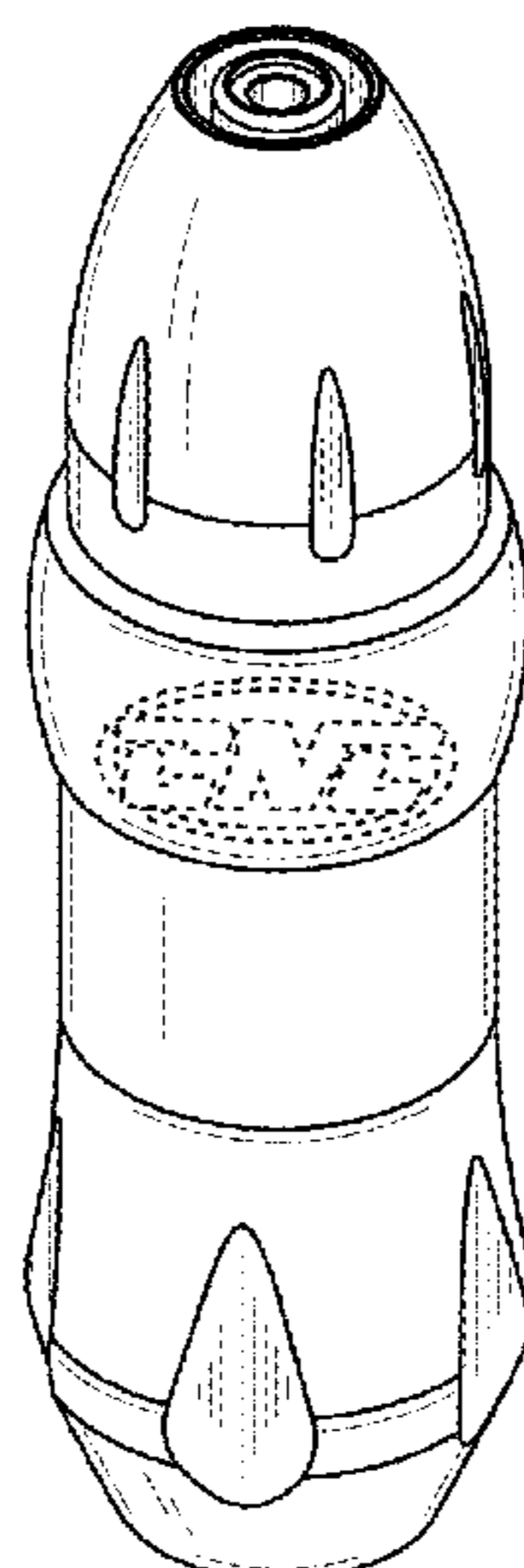
(57) **CLAIM**

The ornamental design for a tattoo machine pen, as shown and described.

DESCRIPTION

FIG. 1 is a perspective view of the tattoo machine pen showing my new design;
FIG. 2 is a front view thereof;
FIG. 3 is a back view thereof;
FIG. 4 is a top view thereof;
FIG. 5 is a bottom view thereof;
FIG. 6 is a left side view thereof; and,
FIG. 7 is a right side view thereof.
The broken lines shown in the drawings are included for the purpose of illustrating portions of the tattoo machine pen and form no part of the claimed design.

1 Claim, 7 Drawing Sheets



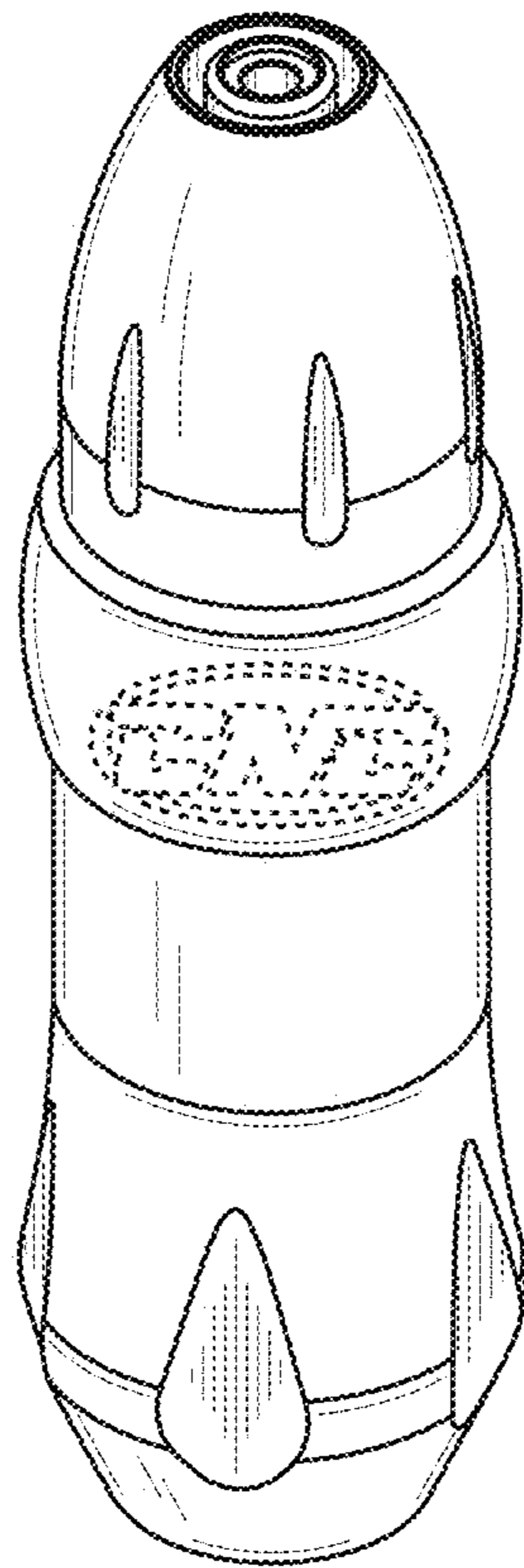


FIG. 1

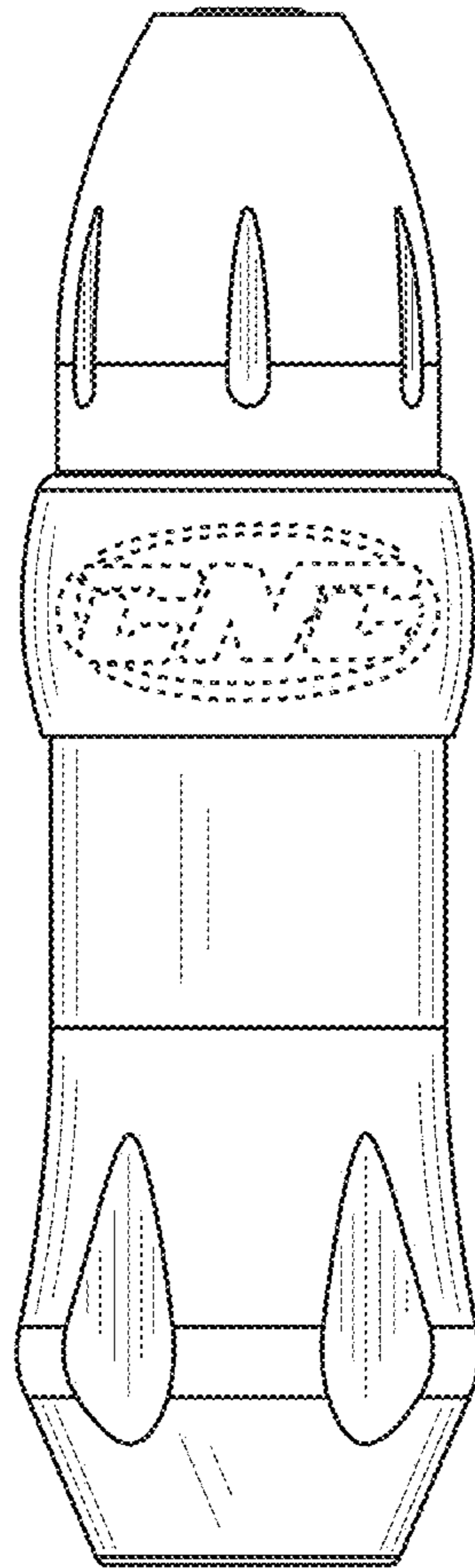


FIG. 2

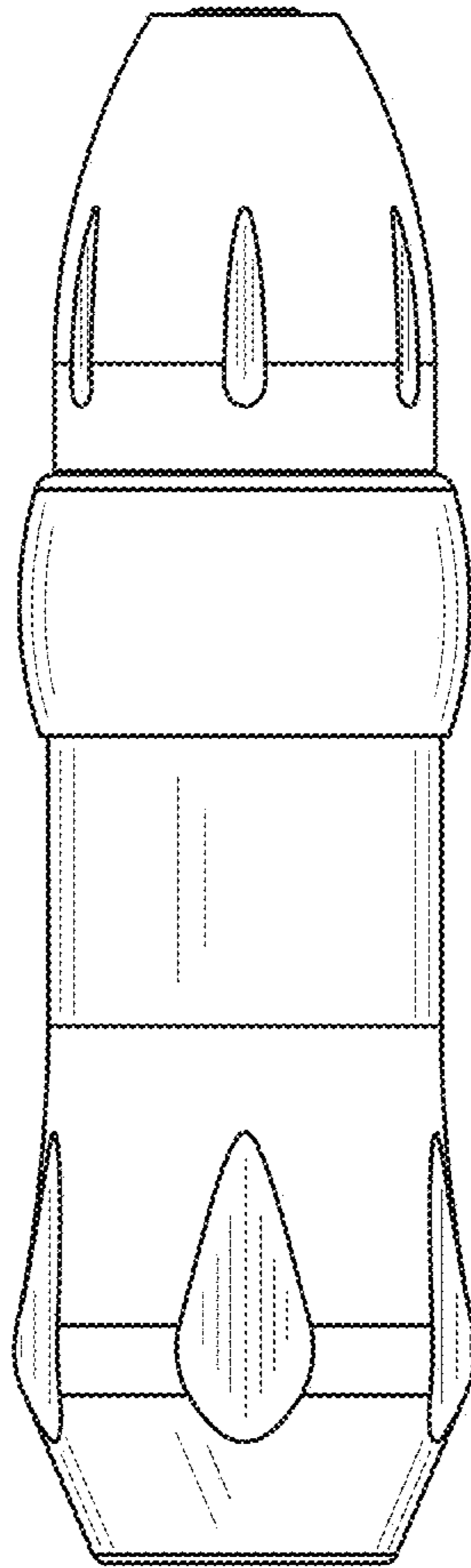


FIG. 3

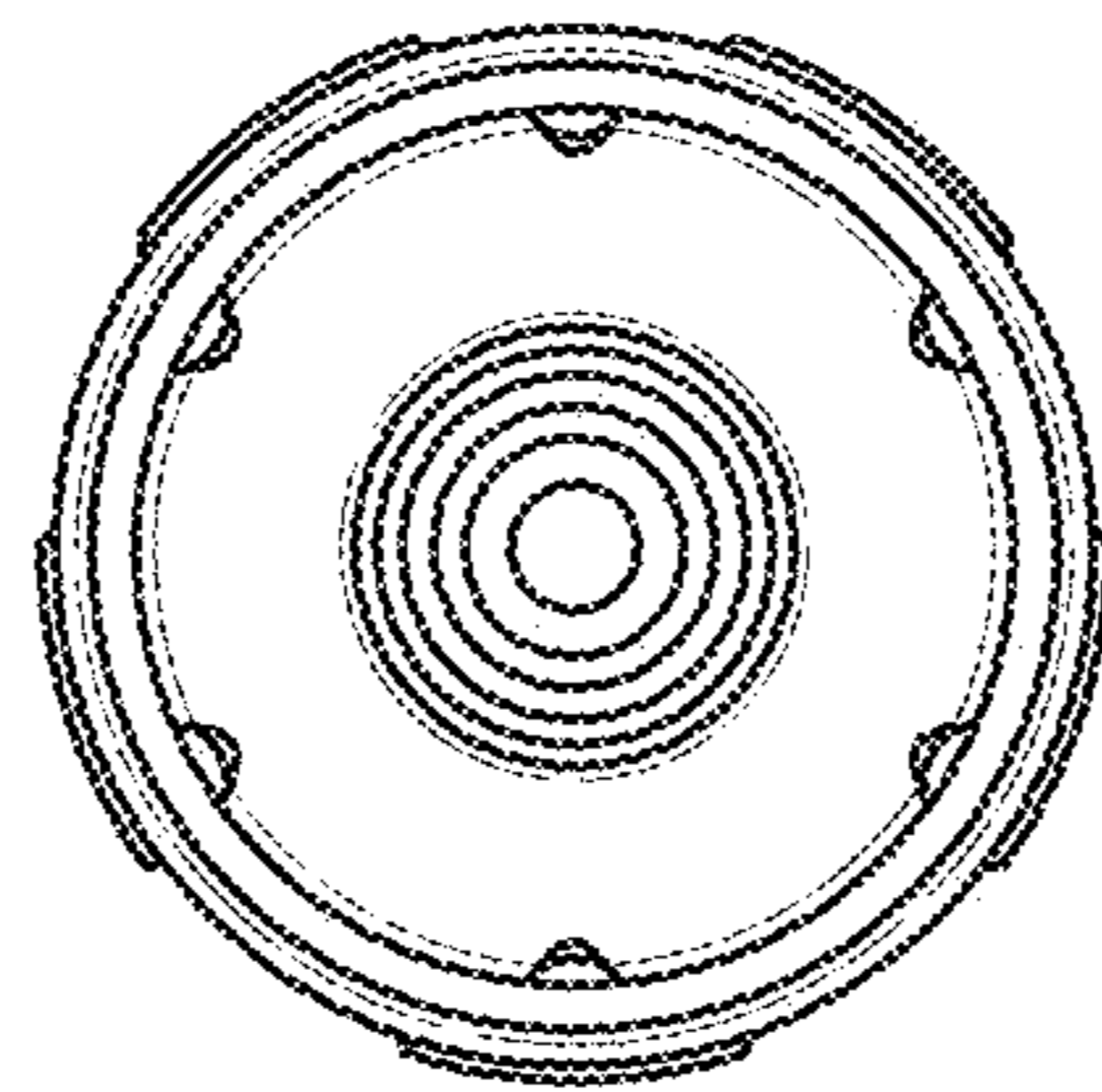


FIG. 4

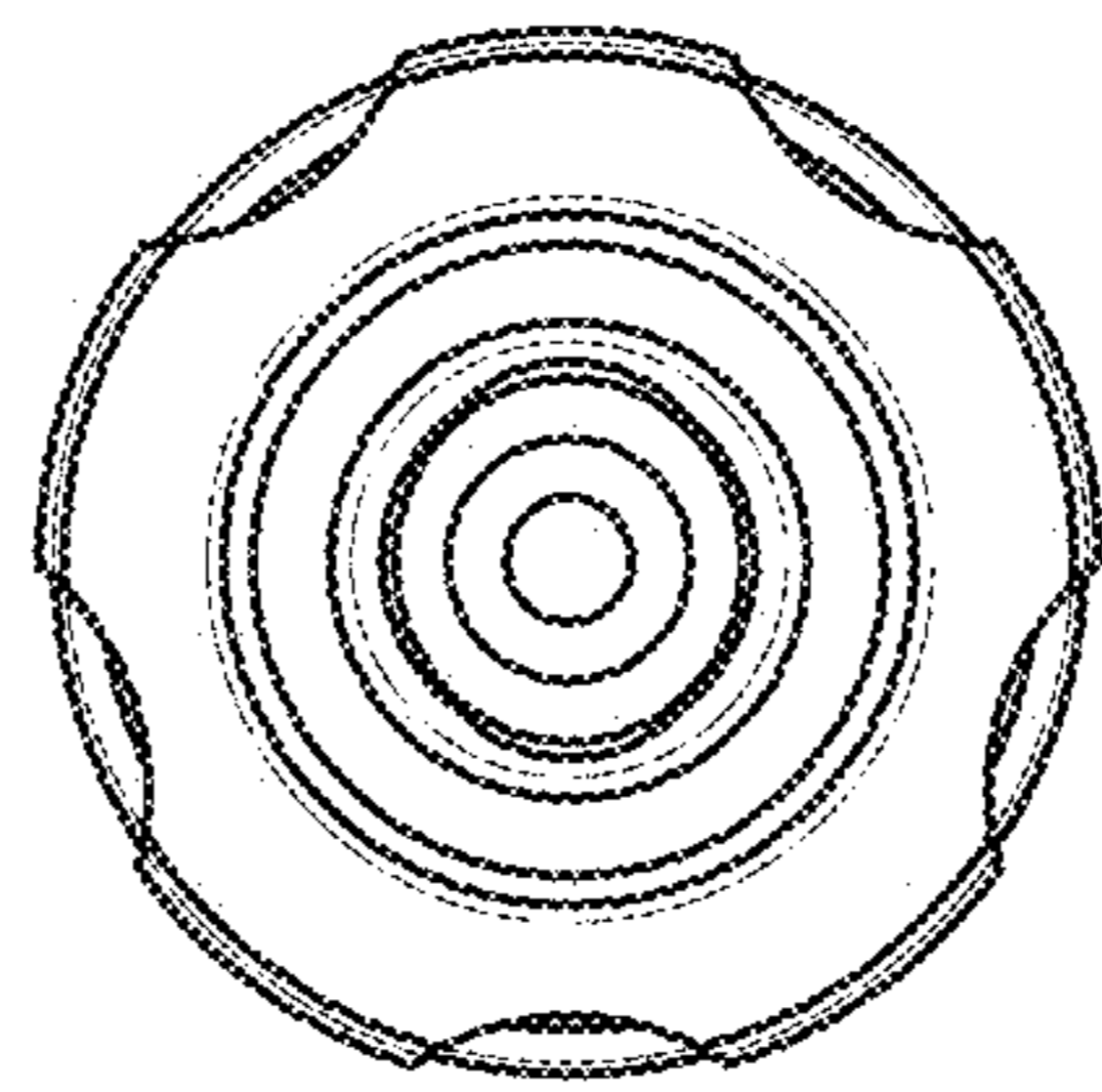


FIG. 5

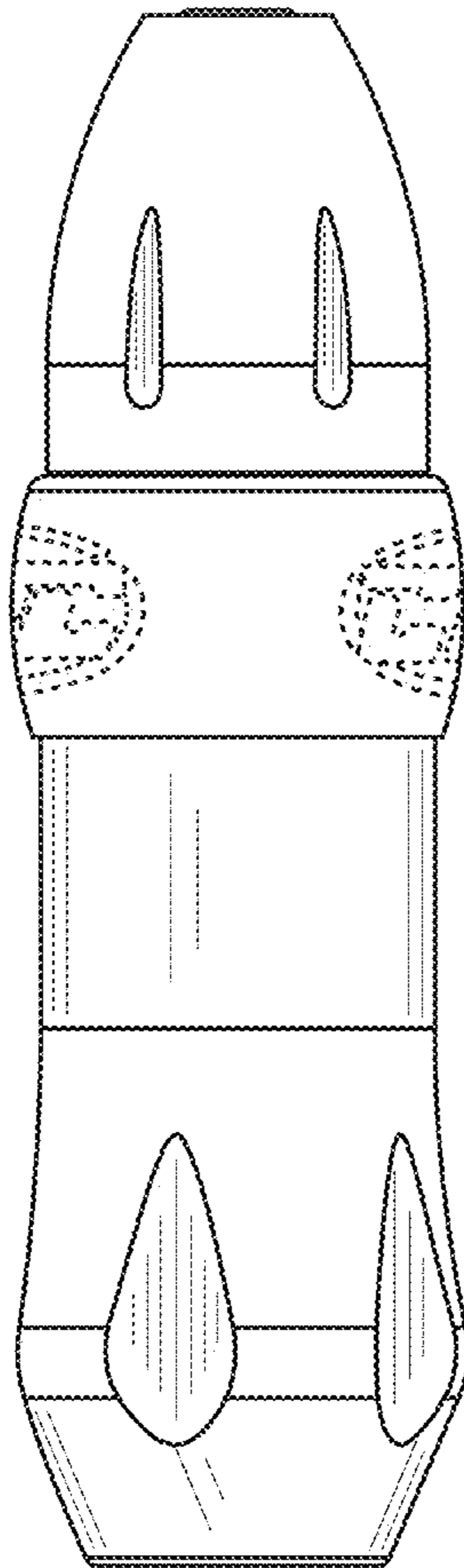


FIG. 6

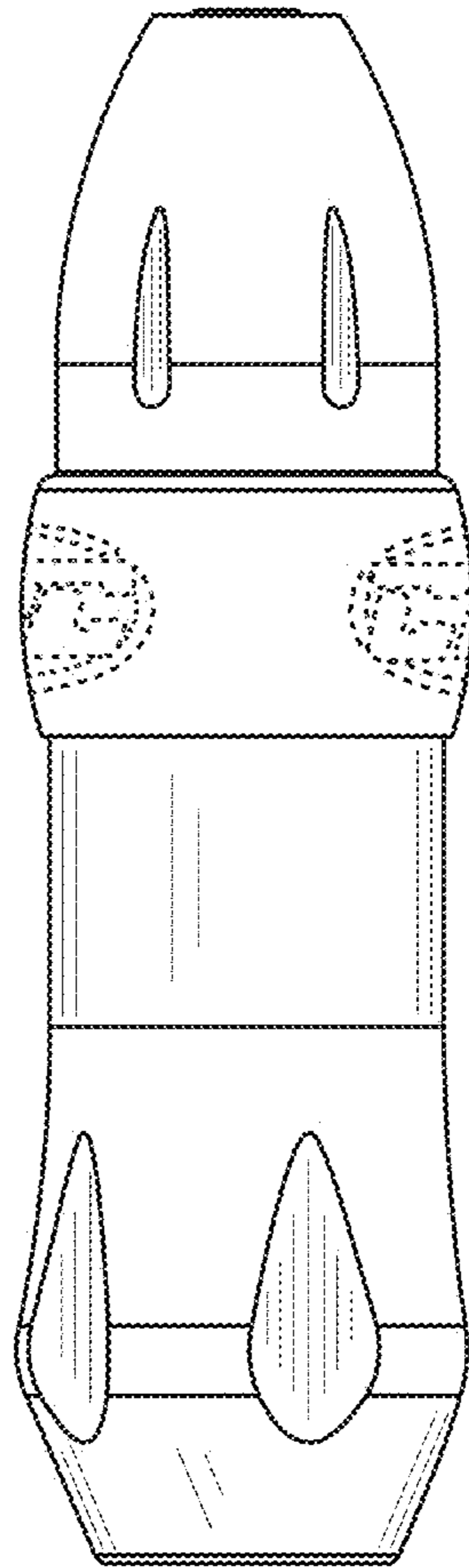


FIG. 7