



US00D901684S

(12) **United States Design Patent** (10) **Patent No.:** **US D901,684 S**
Angert (45) **Date of Patent:** **** Nov. 10, 2020**

(54) **REUSABLE INCONTINENCE DEVICE APPLICATOR**

(71) Applicant: **Rinovum Subsidiary 2, LLC**,
Monroeville, PA (US)

(72) Inventor: **Justin E. Angert**, Gibsonia, PA (US)

(73) Assignee: **Rinovum Subsidiary 2, LLC**,
Monroeville, PA (US)

(**) Term: **15 Years**

(21) Appl. No.: **29/699,302**

(22) Filed: **Jul. 24, 2019**

(51) **LOC (12) Cl.** **24-02**

(52) **U.S. Cl.**
USPC **D24/141**

(58) **Field of Classification Search**
USPC D24/141, 114, 108, 122; 600/29;
128/885; 604/15, 11

(Continued)

(56) **References Cited**

U.S. PATENT DOCUMENTS

3,830,236 A * 8/1974 Hanke A61F 13/26
604/14
D298,653 S * 11/1988 Maietta D24/114

(Continued)

Primary Examiner — Wan Laymon

(74) *Attorney, Agent, or Firm* — Welsh Flaxman & Gitler
LLC

(57) **CLAIM**

The ornamental design for a reusable incontinence device applicator, as shown and described.

DESCRIPTION

FIG. 1 is an exploded perspective view showing the new design of the reusable incontinence device applicator, show-

ing an advancer used to insert an incontinence device (at a top of FIG. 1) and a body used to hold an incontinence device (at a bottom of FIG. 1).

FIG. 2 is an assembled perspective view of the reusable incontinence device applicator, showing the advancer in the body in an extended position.

FIG. 3 is an assembled perspective view of the reusable incontinence device applicator, showing the advancer in the body in a fully advanced position.

FIG. 4 is a perspective view of the body of the reusable incontinence device applicator.

FIG. 5 is a front view of the body of the reusable incontinence device applicator.

FIG. 6 is a rear view of the body of the reusable incontinence device applicator.

FIG. 7 is a top view of the body of the reusable incontinence device applicator.

FIG. 8 is a bottom view of the body of the reusable incontinence device applicator.

FIG. 9 is a right side view of the body of the reusable incontinence device applicator.

FIG. 10 is a left side view of the body of the reusable incontinence device applicator.

FIG. 11 is a perspective view of the advancer of the reusable incontinence device applicator.

FIG. 12 is a front view of the advancer of the reusable incontinence device applicator.

FIG. 13 is a rear view of the advancer of the reusable incontinence device applicator.

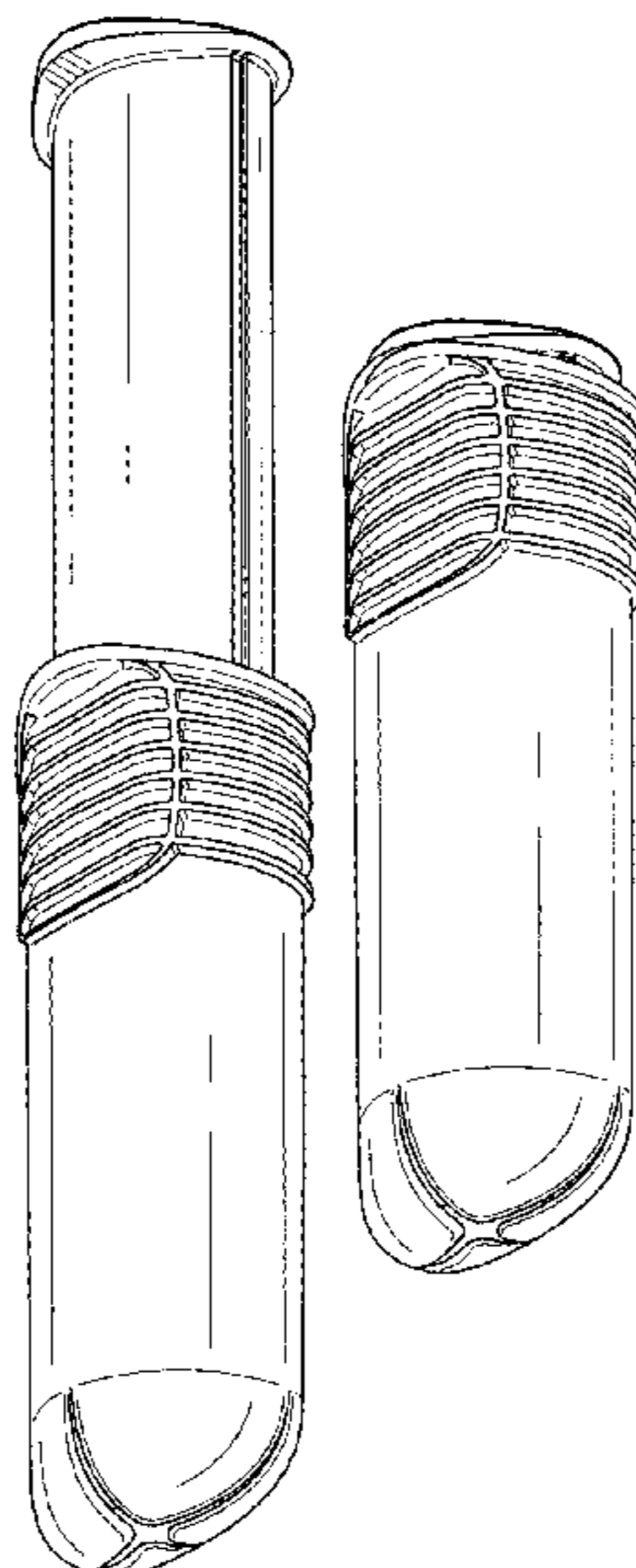
FIG. 14 is a top view of the advancer of the reusable incontinence device applicator.

FIG. 15 is a bottom view of the advancer of the reusable incontinence device applicator.

FIG. 16 is a right side view of the advancer of the reusable incontinence device applicator; and,

FIG. 17 is a left side view of the advancer of the reusable incontinence device applicator.

1 Claim, 5 Drawing Sheets



(58) **Field of Classification Search**

CPC A61F 2/005; A61F 2/0009; A61F 2/0022;
A61F 2/0004; A61F 2/0036; A61F 13/26;
A61F 13/266; A61F 13/2097; Y10S
604/904; Y10S 128/25

See application file for complete search history.

(56) **References Cited**

U.S. PATENT DOCUMENTS

5,988,386 A * 11/1999 Morrow A61F 13/26
206/440
6,095,998 A * 8/2000 Osborn, III A61F 13/2051
604/15
6,645,136 B1 * 11/2003 Zunker A61F 2/005
128/885
7,717,892 B2 * 5/2010 Bartning A61F 13/26
604/329
7,935,098 B2 * 5/2011 Bartning A61F 2/005
604/385.17
8,221,374 B2 * 7/2012 Hou A61F 13/26
604/385.17
D717,950 S * 11/2014 Agrawal D24/141
D728,097 S * 4/2015 Bravo D24/141
9,510,923 B2 * 12/2016 Adler A61F 2/005
9,532,907 B1 * 1/2017 Agrawal A61F 13/266
10,159,550 B2 * 12/2018 Romzek A61F 2/005
10,603,152 B2 * 3/2020 Heinen A61F 2/005
2009/0247928 A1 * 10/2009 Bartning A61F 2/005
604/15
2009/0247929 A1 * 10/2009 Hou A61F 2/005
604/15
2011/0077578 A1 * 3/2011 Bartning A61F 2/005
604/11

* cited by examiner

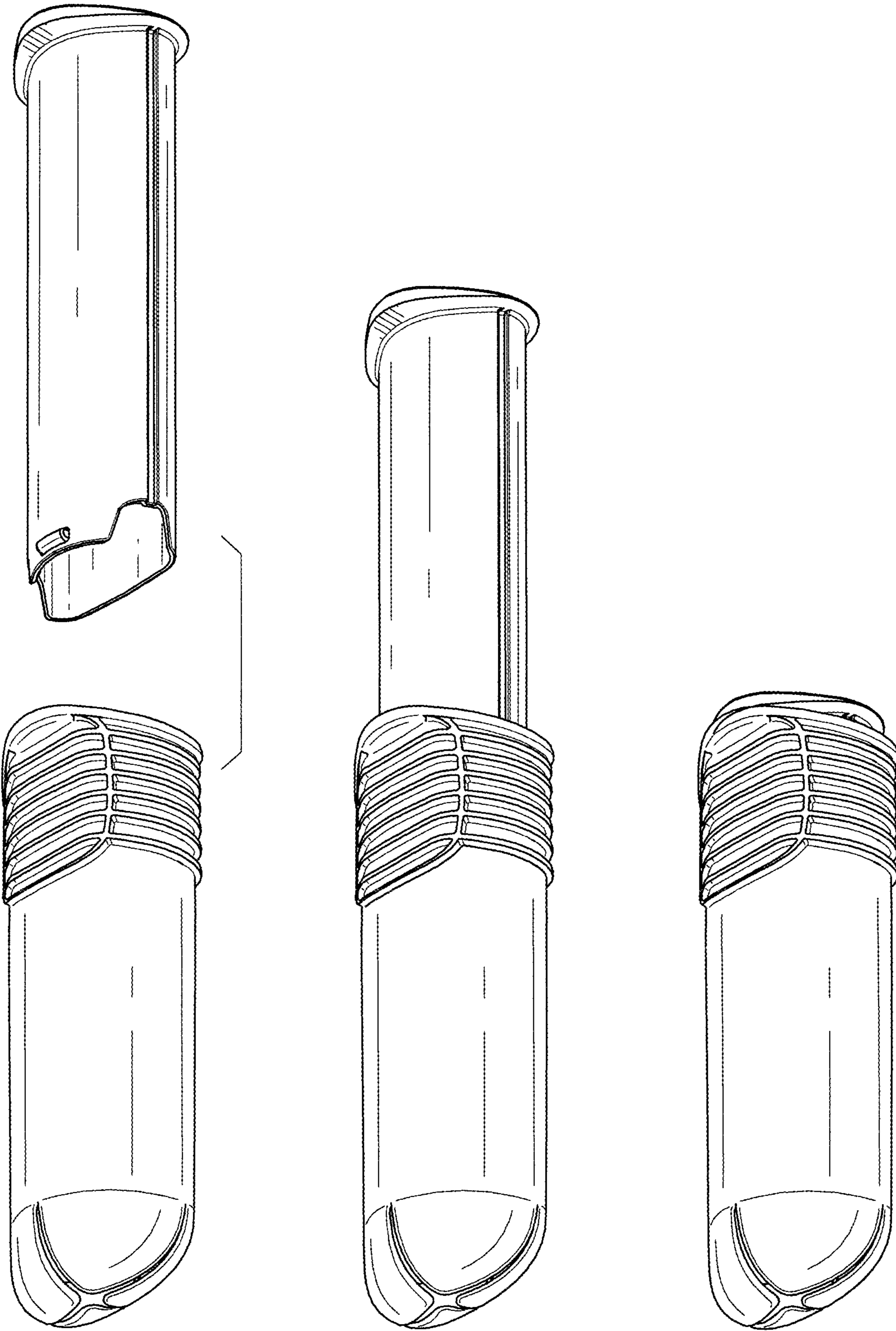


FIG. 1

FIG. 2

FIG. 3

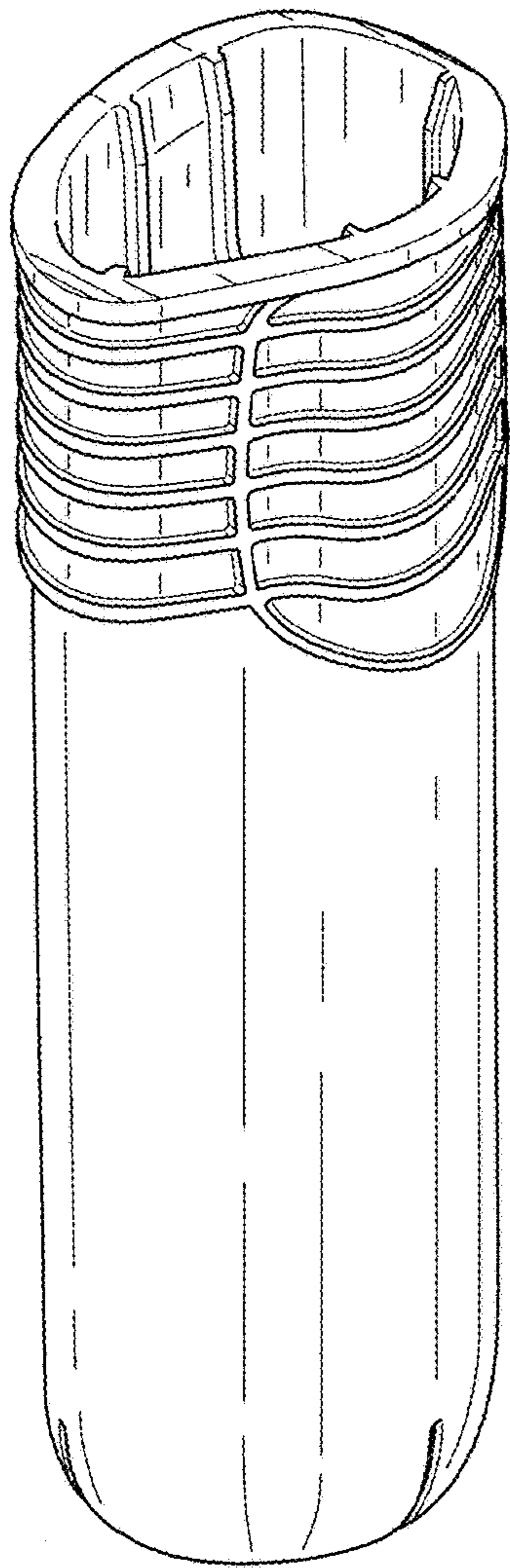


FIG. 4

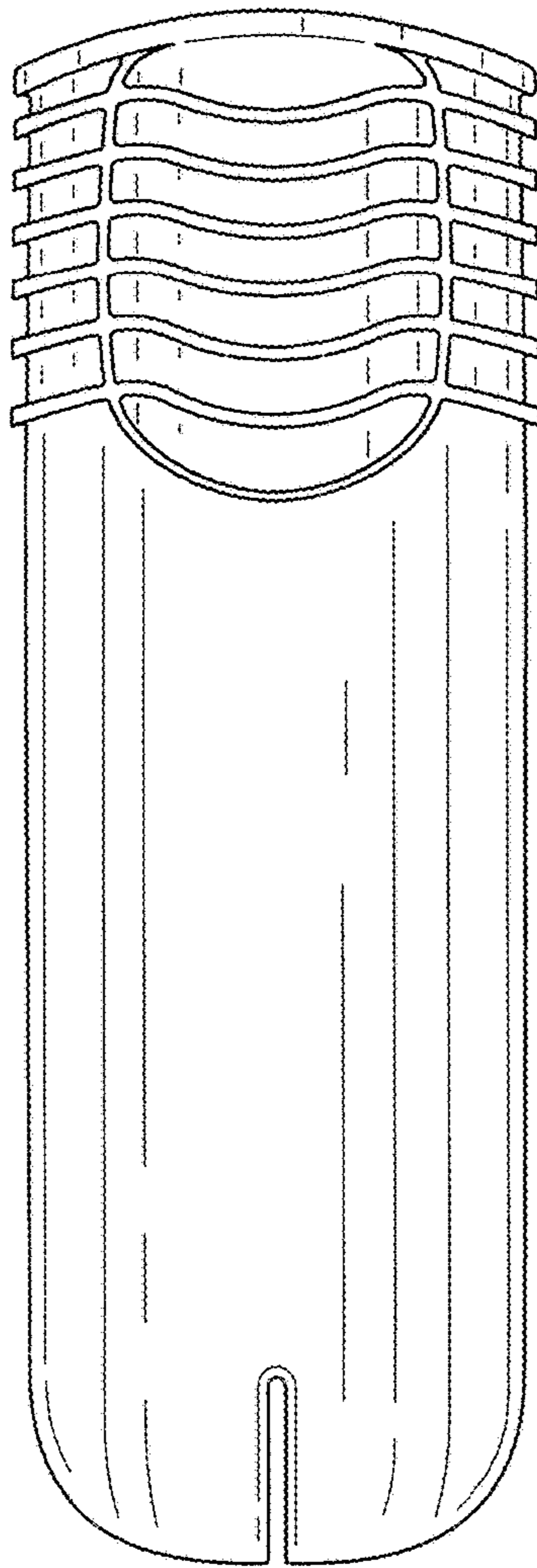


FIG. 5

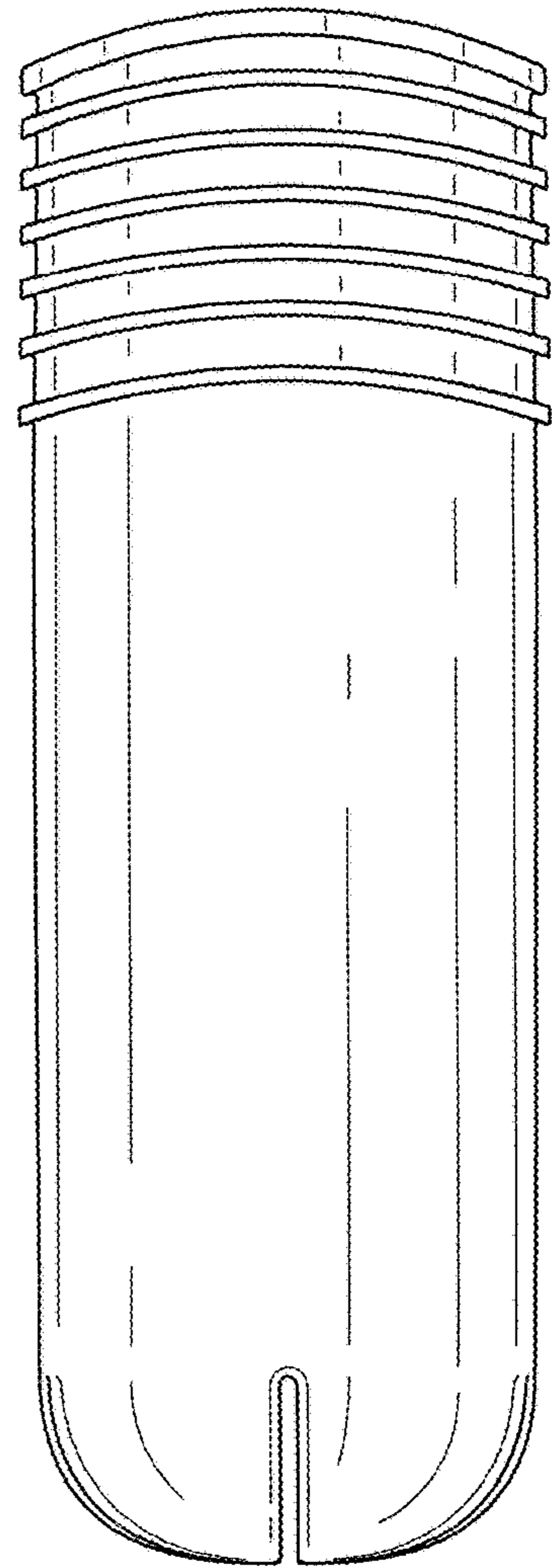


FIG. 6

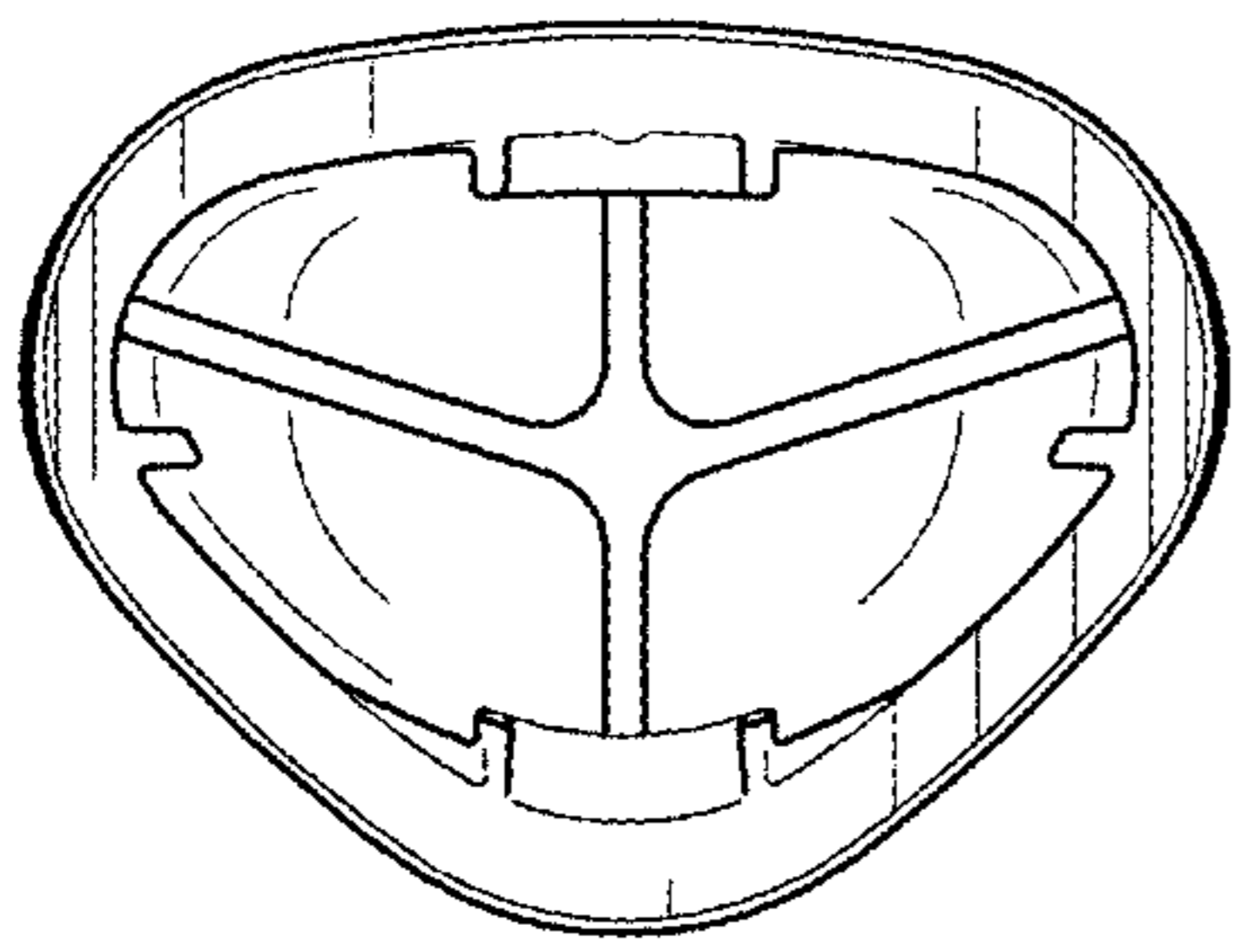


FIG. 7

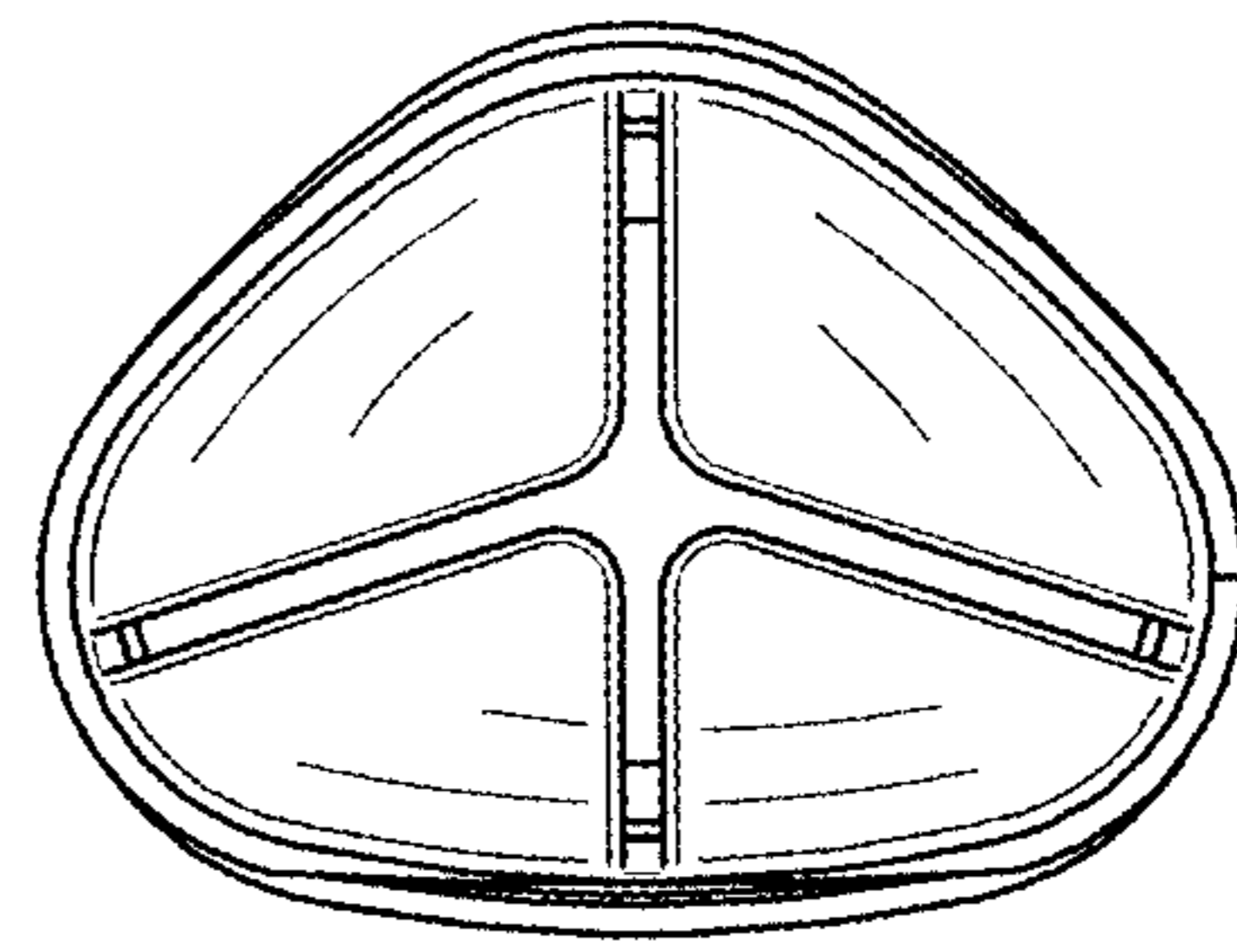


FIG. 8

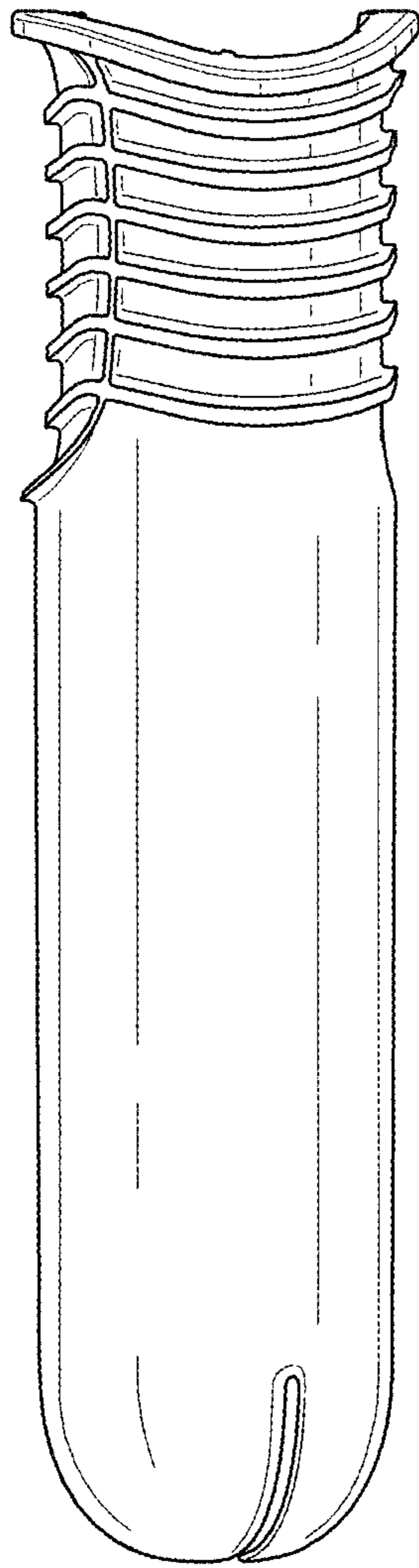


FIG. 9

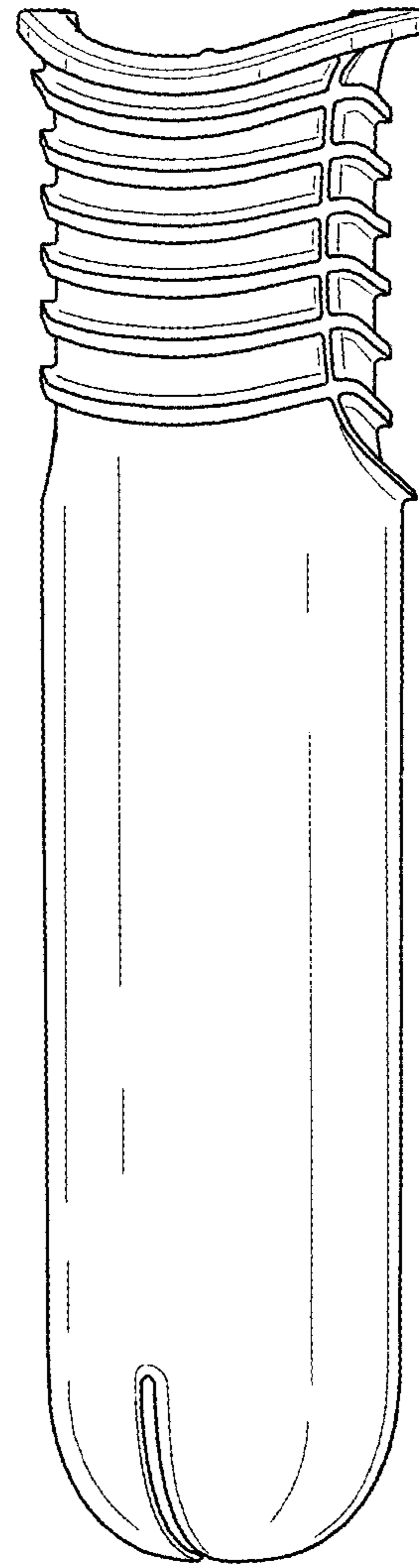


FIG. 10

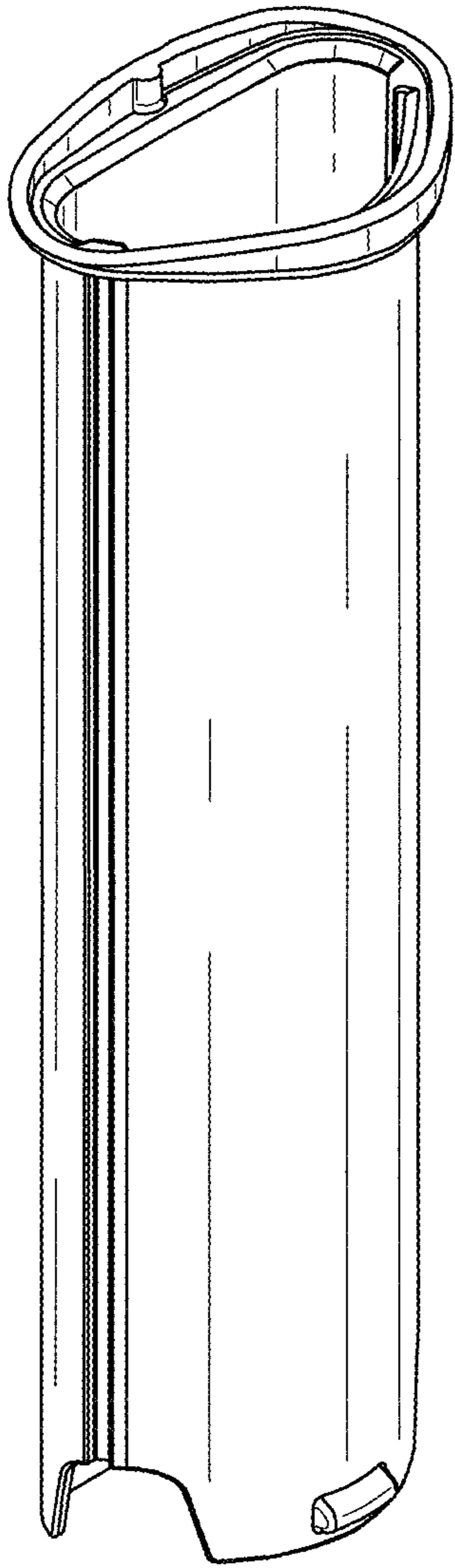


FIG. 11

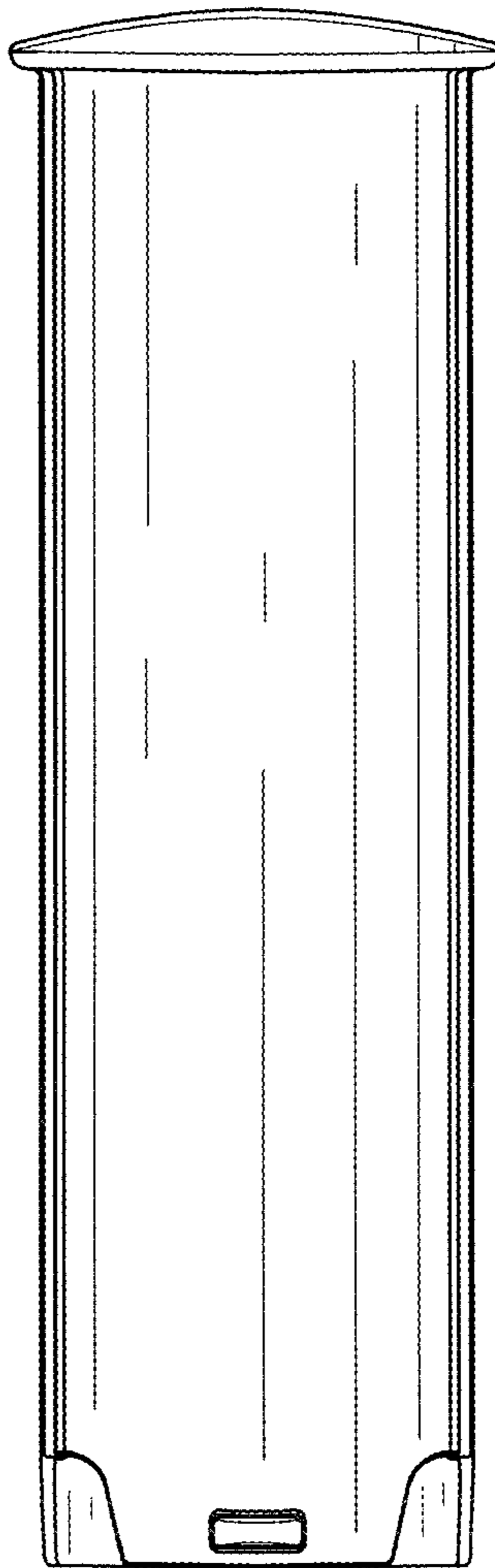


FIG. 12

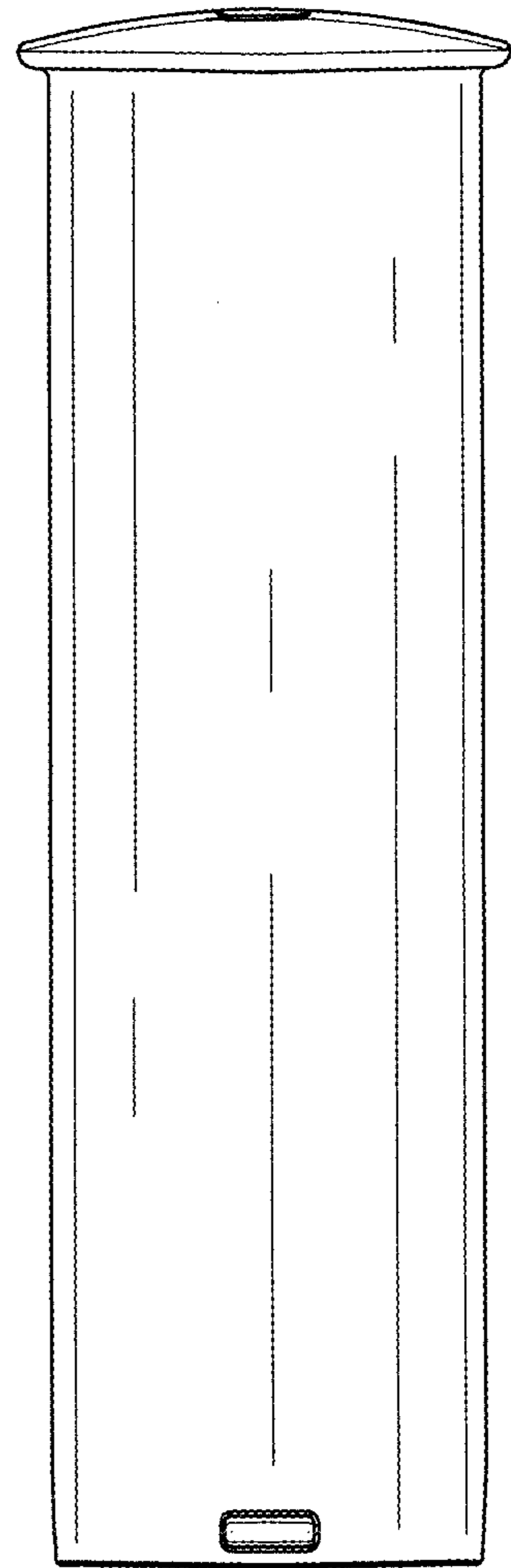


FIG. 13

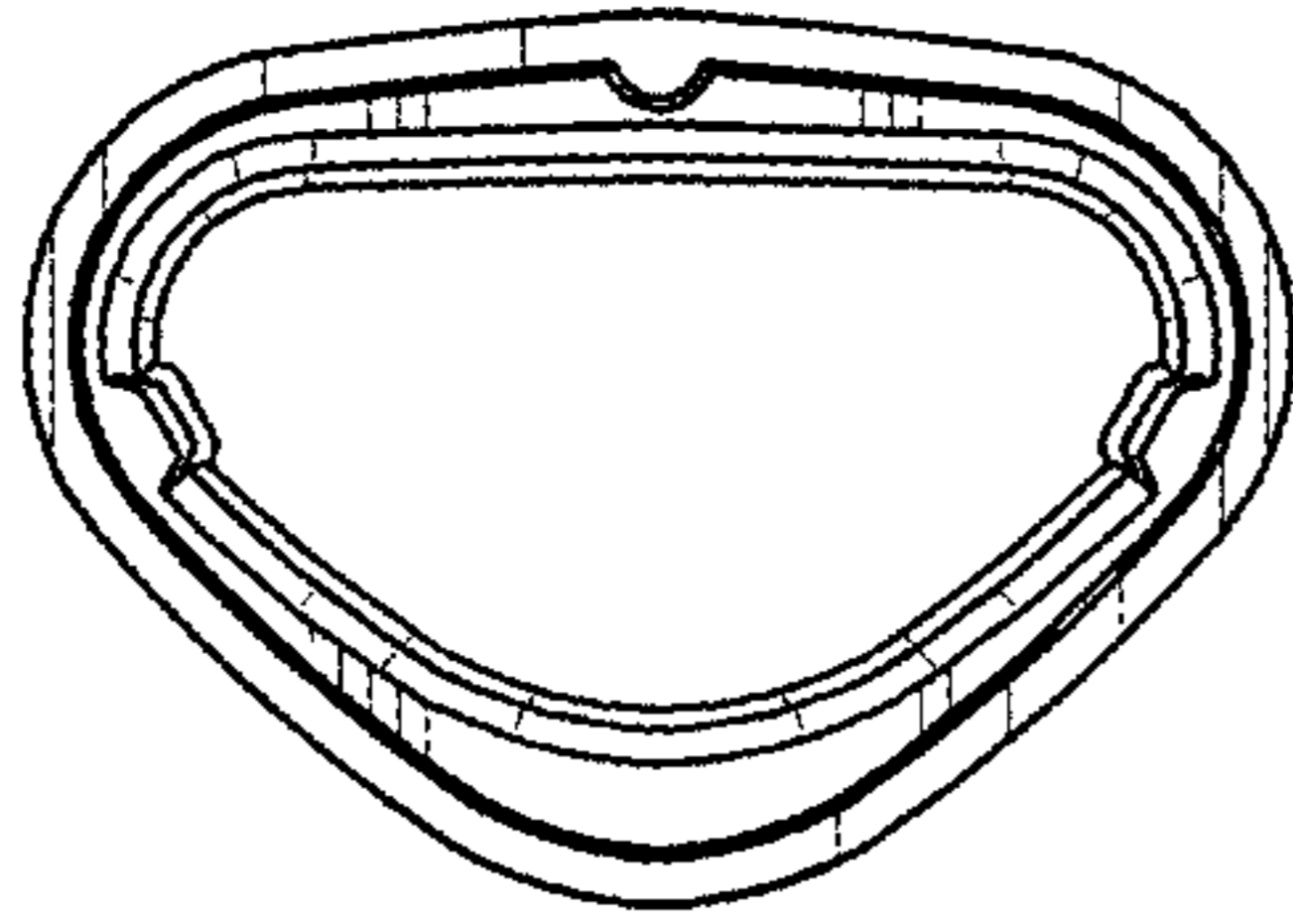


FIG. 14

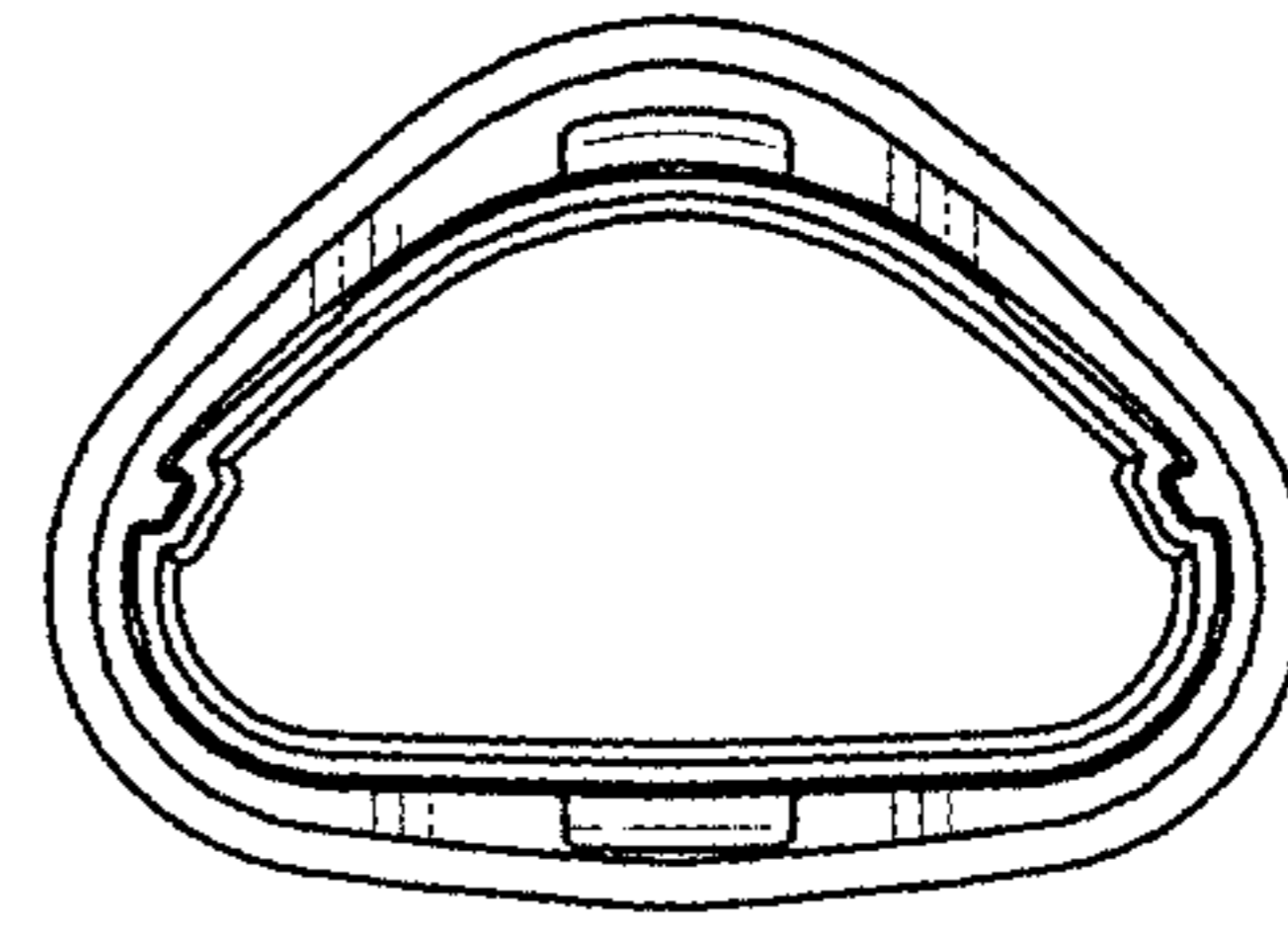


FIG. 15

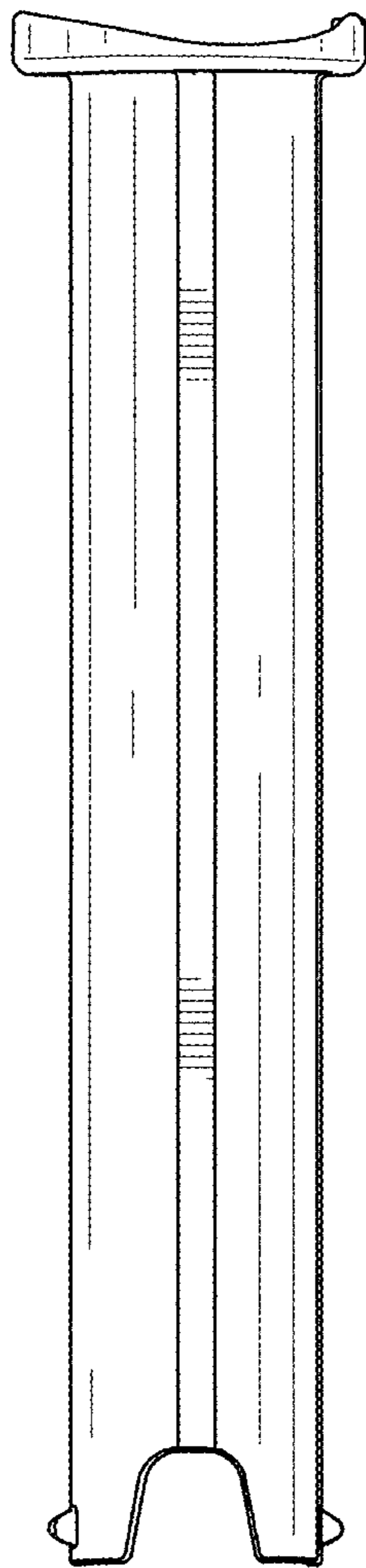


FIG. 16

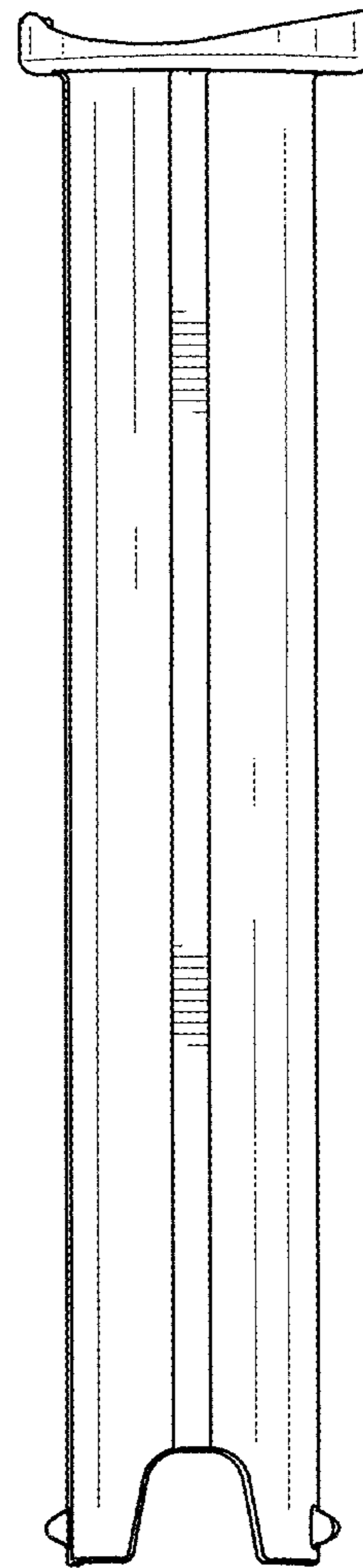


FIG. 17