



US00D901682S

(12) **United States Design Patent** (10) **Patent No.:** **US D901,682 S**
Vuillemin et al. (45) **Date of Patent:** **** Nov. 10, 2020**

(54) **ROBOTIC INTERFACE** 6,359,243 B1 * 3/2002 Nakade G05G 9/047
200/6 A
(71) Applicant: **Brainlab AG**, Munich (DE) D473,306 S * 4/2003 Motoki D24/137
D601,100 S * 9/2009 Wahrenberg D13/171
(72) Inventors: **Jerome Vuillemin**, Munich (DE); D799,434 S * 10/2017 Ott D13/173
Elmar Schlereth, Munich (DE) D840,360 S * 2/2019 Scott D13/168
D880,602 S * 4/2020 Ehara D21/333
(73) Assignee: **BRAINLAB AG**, Munich (DE) D882,529 S * 4/2020 Scott D13/168
D883,239 S * 5/2020 Fujino D13/174
(**) Term: **15 Years** 2005/0193857 A1 * 9/2005 Sunadome G05G 1/087
74/543

(21) Appl. No.: **29/673,022**

* cited by examiner

(22) Filed: **Dec. 11, 2018**

Primary Examiner — Anhdao Doan

(30) **Foreign Application Priority Data**

(74) *Attorney, Agent, or Firm* — Middleton Reutlinger

Jun. 12, 2018 (EM) 005308236

(51) **LOC (12) Cl.** **24-01**

(57) **CLAIM**

(52) **U.S. Cl.**

The ornamental design for a robotic interface, as shown and described.

USPC **D24/133; D24/170**

(58) **Field of Classification Search**

DESCRIPTION

USPC D24/133, 137, 138, 170, 186, 231;

FIG. 1 is a top perspective view of a robotic interface;

D13/168, 169, 171, 173–176; D14/454

FIG. 2 is a first side perspective view of the robotic interface of FIG. 1;

CPC G05G 9/047; G05G 2009/04744; H01H

FIG. 3 is a second side perspective view of the robotic interface of FIG. 1;

2221/012; H01H 2009/0094

See application file for complete search history.

FIG. 4 is a first end view of the robotic interface of FIG. 1;

(56) **References Cited**

FIG. 5 is a top view of the robotic interface of FIG. 1; and,

U.S. PATENT DOCUMENTS

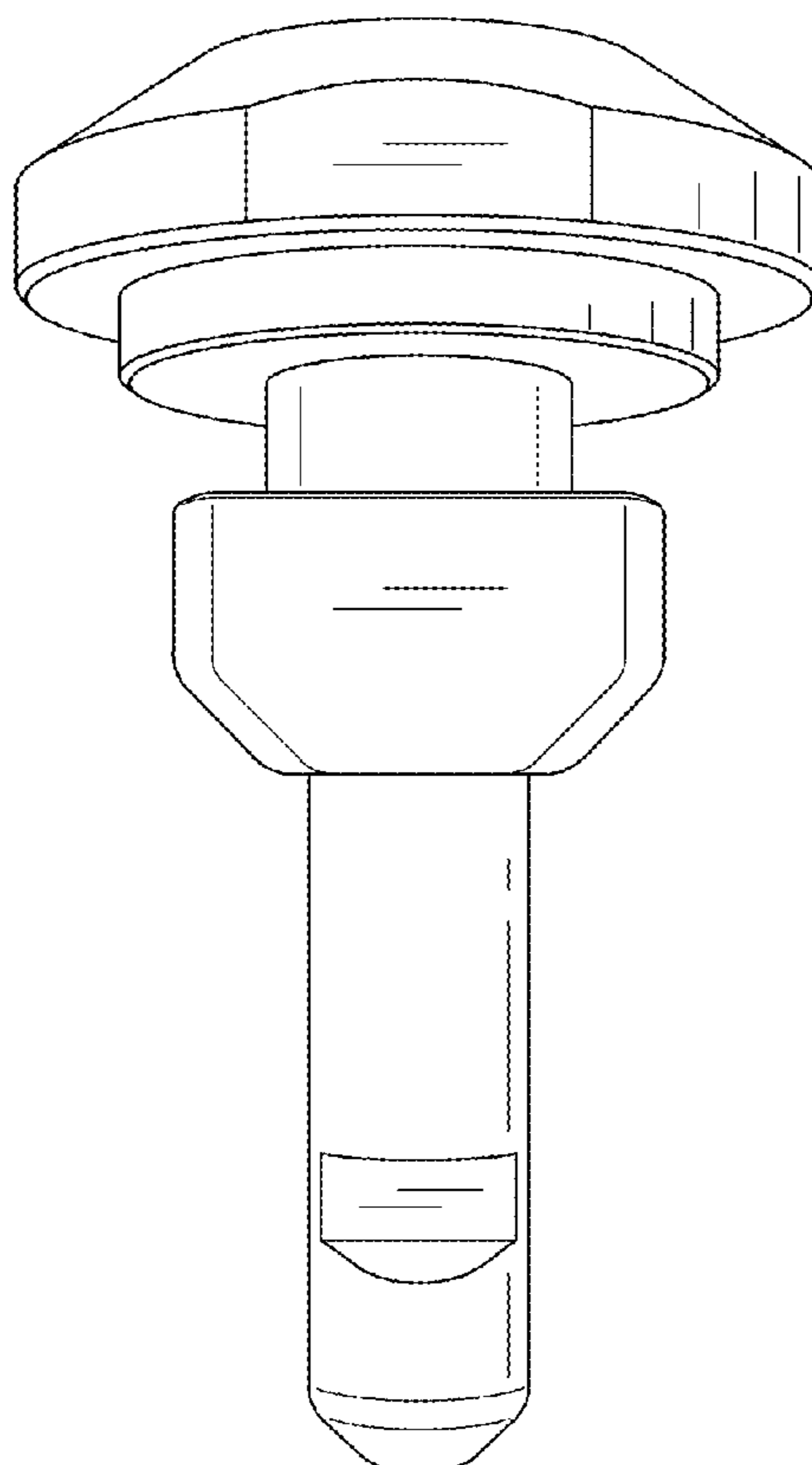
FIG. 6 is a second end view of the robotic interface of FIG. 1.

D344,930 S * 3/1994 Schaeffer D13/171

6,186,896 B1 * 2/2001 Takeda A63F 13/02

463/38

1 Claim, 6 Drawing Sheets



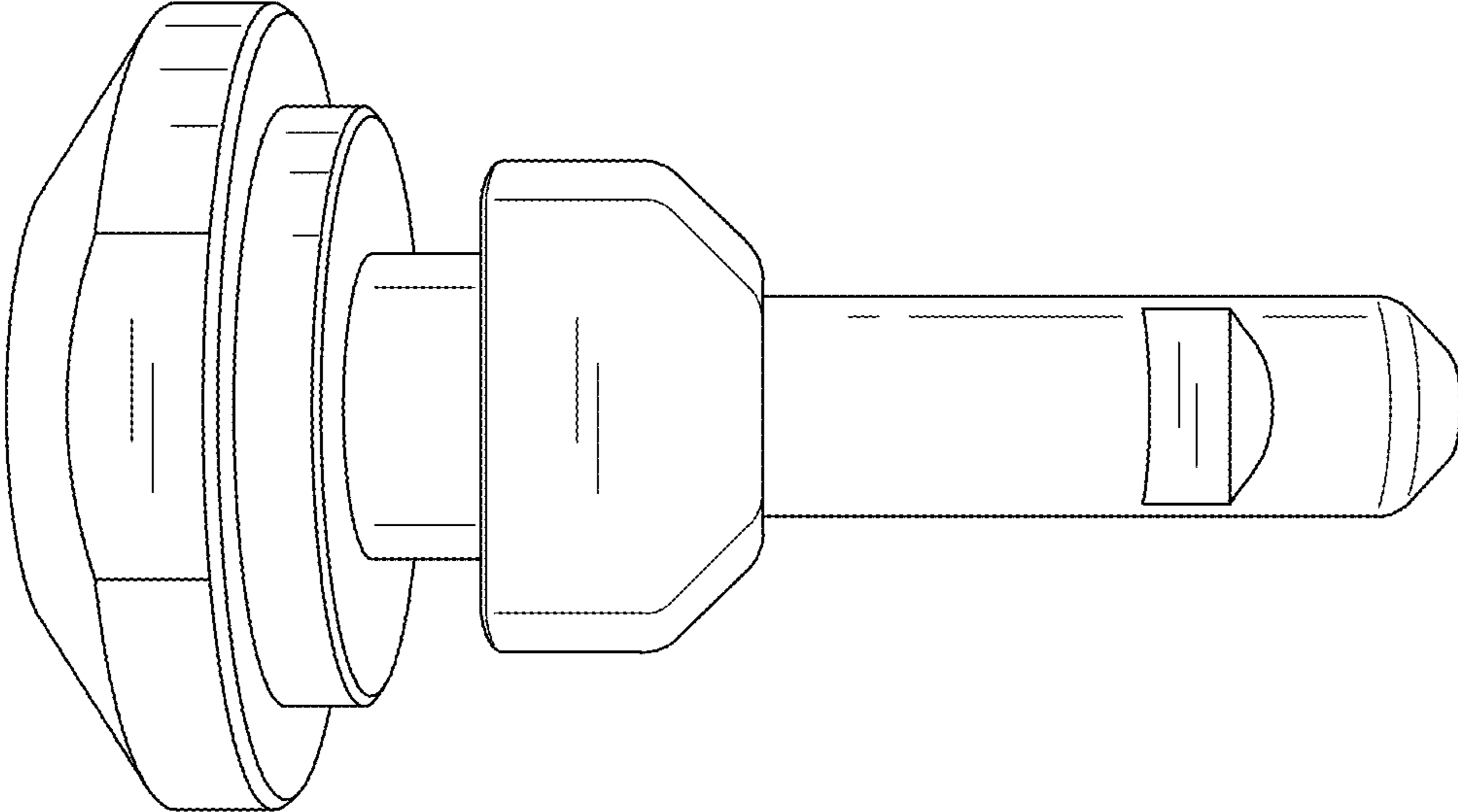


FIG. 1

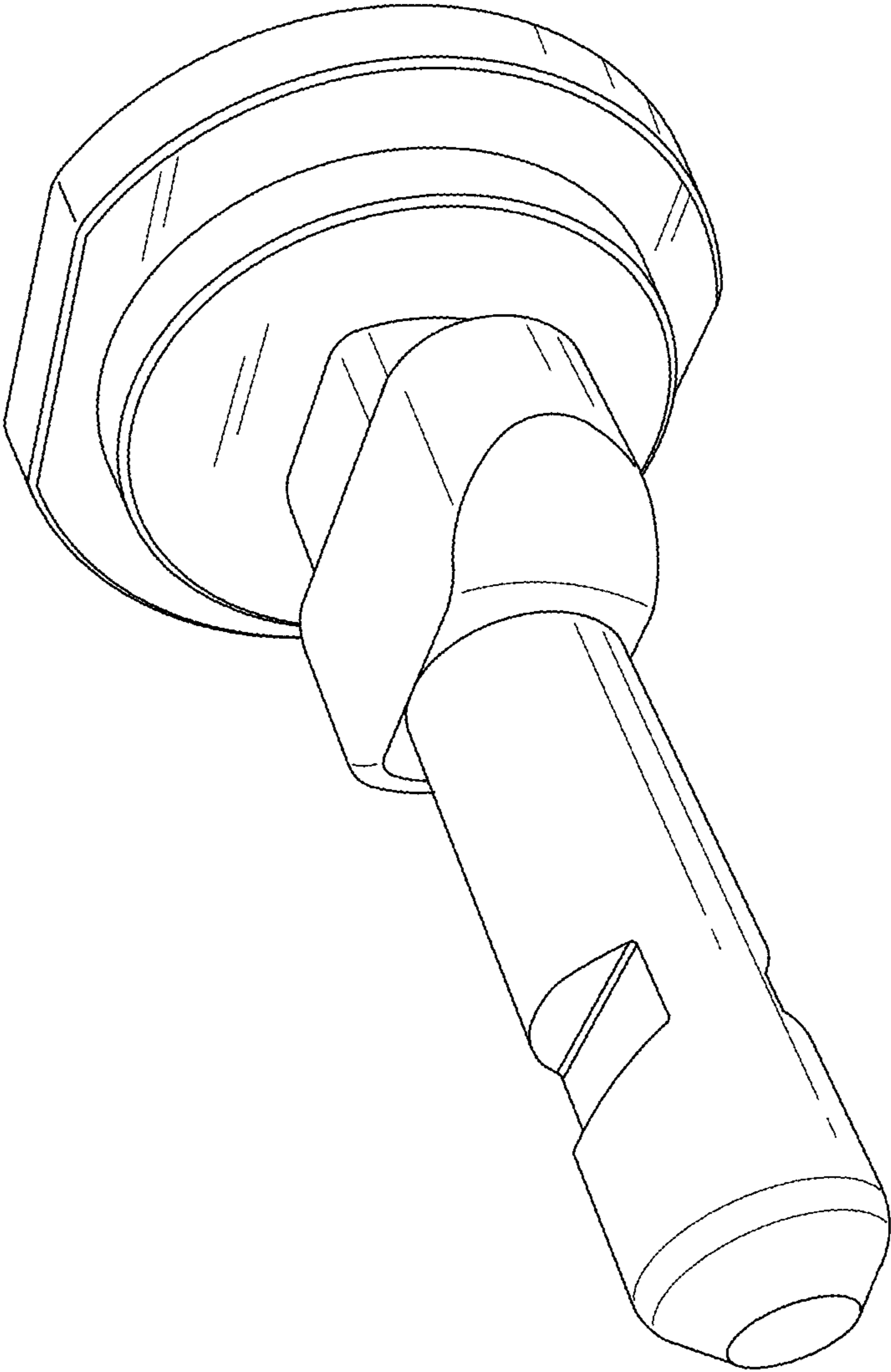


FIG. 2

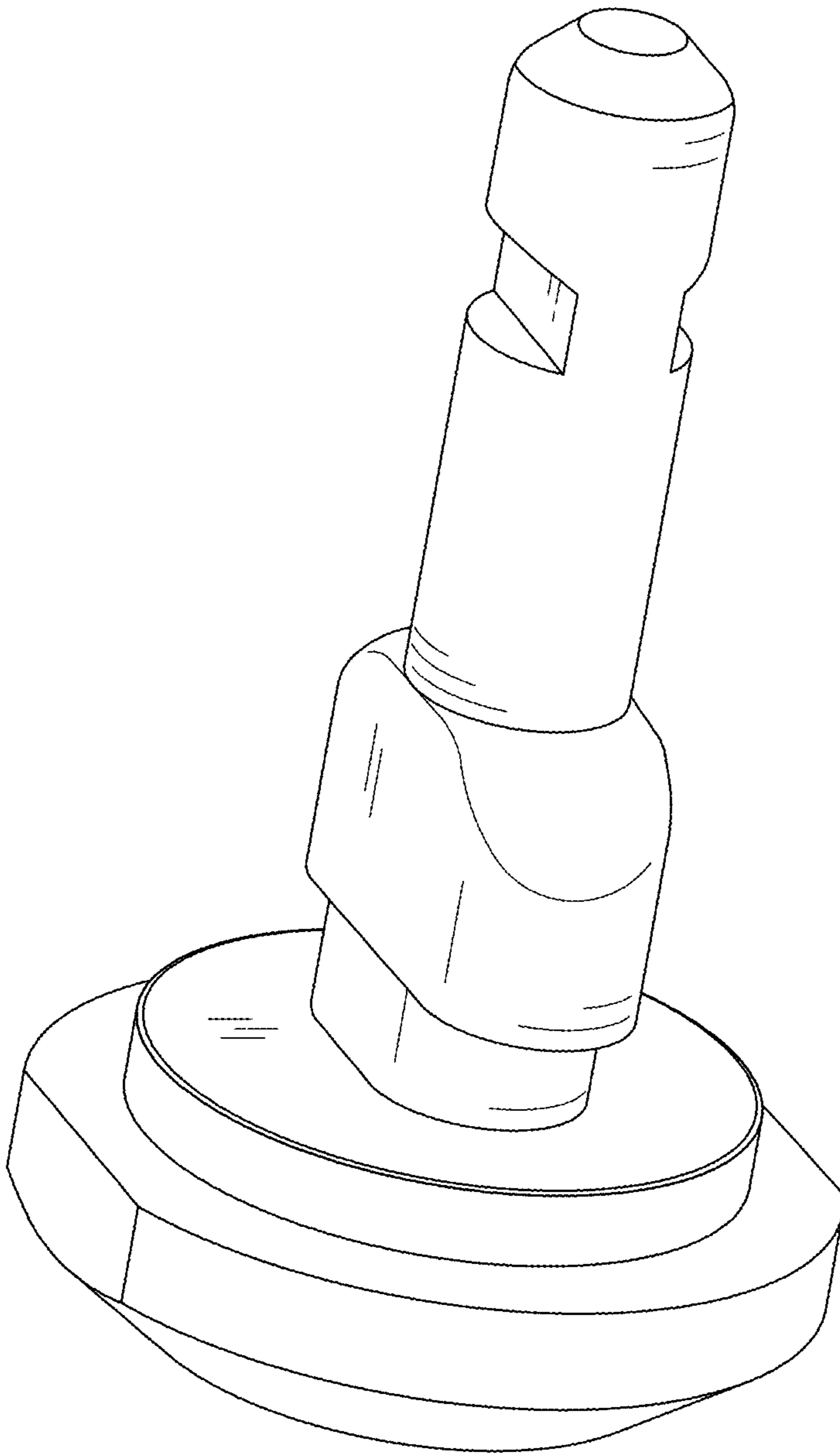


FIG. 3

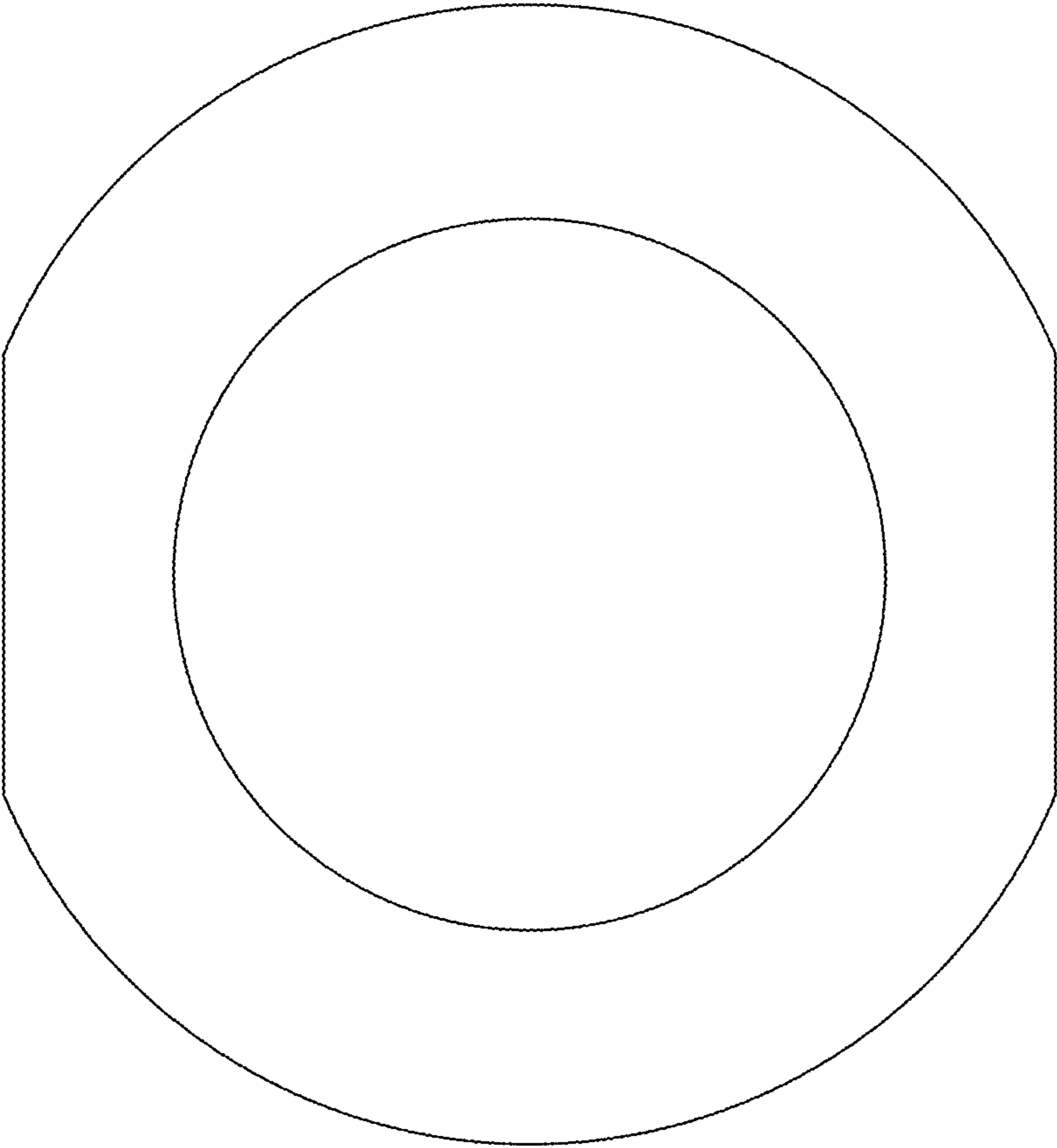


FIG. 4

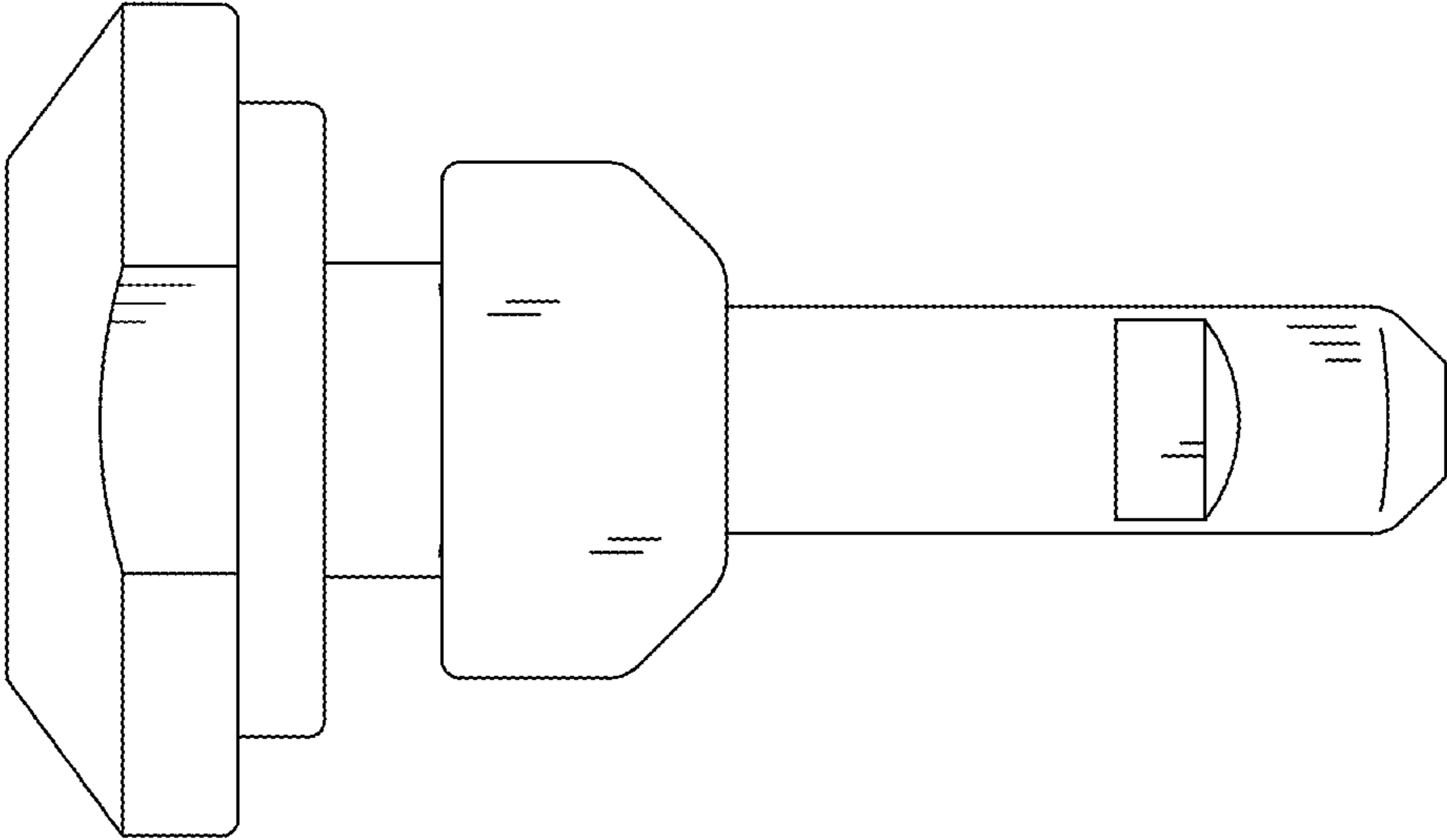


FIG. 5

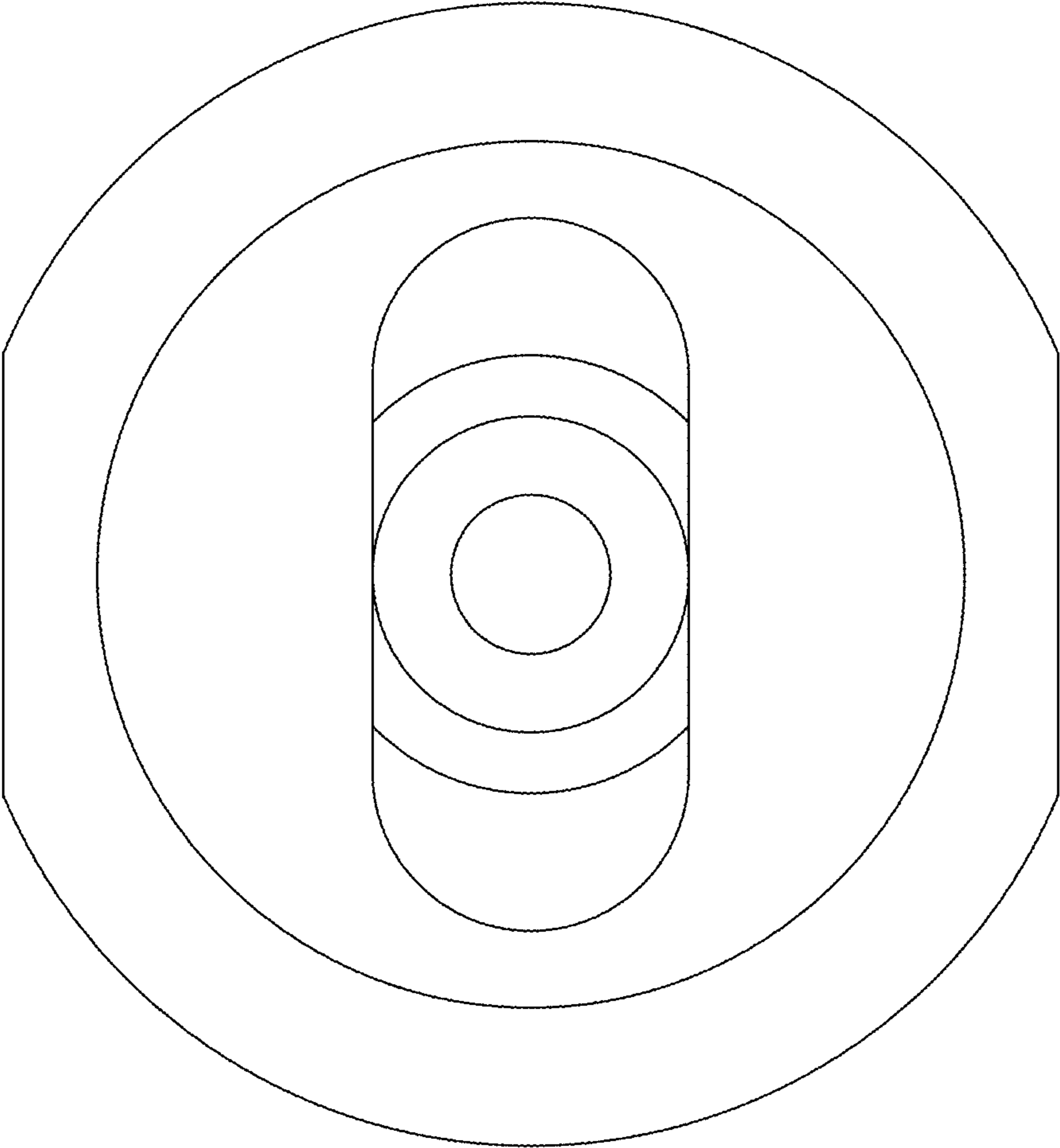


FIG. 6