



US00D901681S

(12) **United States Design Patent** (10) **Patent No.:** **US D901,681 S**
Konkle (45) **Date of Patent:** **** Nov. 10, 2020**

- (54) **MEDICAL EXTRACTION TOOL**
- (71) Applicant: **Shukla Medical**, St. Petersburg, FL
(US)
- (72) Inventor: **Craig Konkle**, South Bound Brook, NJ
(US)
- (73) Assignee: **Shukla Medical**, St. Petersburg, FL
(US)
- (**) Term: **15 Years**
- (21) Appl. No.: **29/670,707**
- (22) Filed: **Nov. 19, 2018**
- (51) **LOC (12) Cl.** **24-02**
- (52) **U.S. Cl.**
USPC **D24/133**
- (58) **Field of Classification Search**
USPC D24/127, 128, 129, 130, 131, 138, 133,
D24/137, 142, 200; 600/101, 104, 164;
D8/20, 376, 363
CPC A61B 17/320016; A61B 17/0057; A61B
17/00
See application file for complete search history.

- D796,035 S * 8/2017 Turturro D24/129
- D798,449 S * 9/2017 Canady D24/138
- D807,291 S * 1/2018 Juds D13/110
- D820,980 S * 6/2018 Maurice D24/129
- D835,266 S * 12/2018 Maurice D24/129
- D843,596 S * 3/2019 Bonutti A61N 7/00
D24/231
- D867,586 S * 11/2019 Kemps D24/129
- 2011/0159459 A1 * 6/2011 Darwish A61C 3/14
433/118

* cited by examiner

Primary Examiner — Rosemary K Tarcza
Assistant Examiner — Yolanda Robinson
(74) *Attorney, Agent, or Firm* — Kim IP Law Group
PLLC

(57) **CLAIM**

The ornamental design for a medical extraction tool, as shown and described.

DESCRIPTION

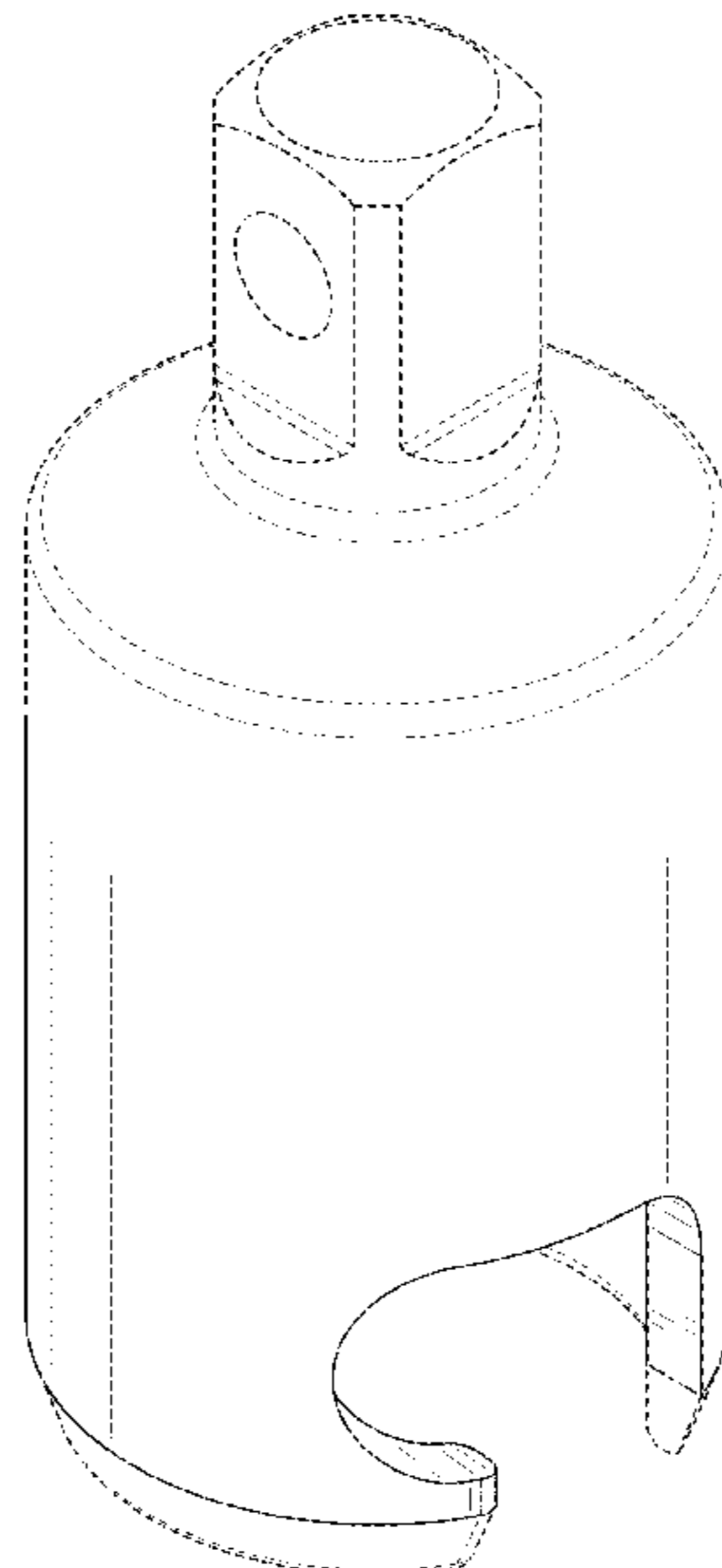
FIG. 1 is a perspective view of a medical extraction tool in accordance with the new design;
FIG. 2 is a front elevational view of the medical extraction tool of FIG. 1;
FIG. 3 is a rear elevational view of the medical extraction tool of FIG. 1;
FIG. 4 is a right side elevational view of the medical extraction tool of FIG. 1;
FIG. 5 is a left side elevational view of the medical extraction tool of FIG. 1;
FIG. 6 is a top plan view of the medical extraction tool of FIG. 1; and,
FIG. 7 is a bottom plan view of the medical extraction tool of FIG. 1.
The broken lines in the figures illustrate portions of the medical extraction tool that form no part of the claimed design.

1 Claim, 7 Drawing Sheets

(56) **References Cited**

U.S. PATENT DOCUMENTS

- 6,279,216 B1 * 8/2001 Halliday B25B 27/02
29/278
- D720,070 S * 12/2014 Khalaj D24/133
- D729,741 S * 5/2015 Price D13/147
- D730,297 S * 5/2015 Price D13/147
- D750,235 S * 2/2016 Maurice D24/129
- D750,236 S * 2/2016 Maurice D24/129
- D752,740 S * 3/2016 Price D24/129
- D774,649 S * 12/2016 Fox D24/138
- D791,310 S * 7/2017 Maurice D24/129
- D791,940 S * 7/2017 Maurice D24/129
- D795,422 S * 8/2017 Bow D24/129



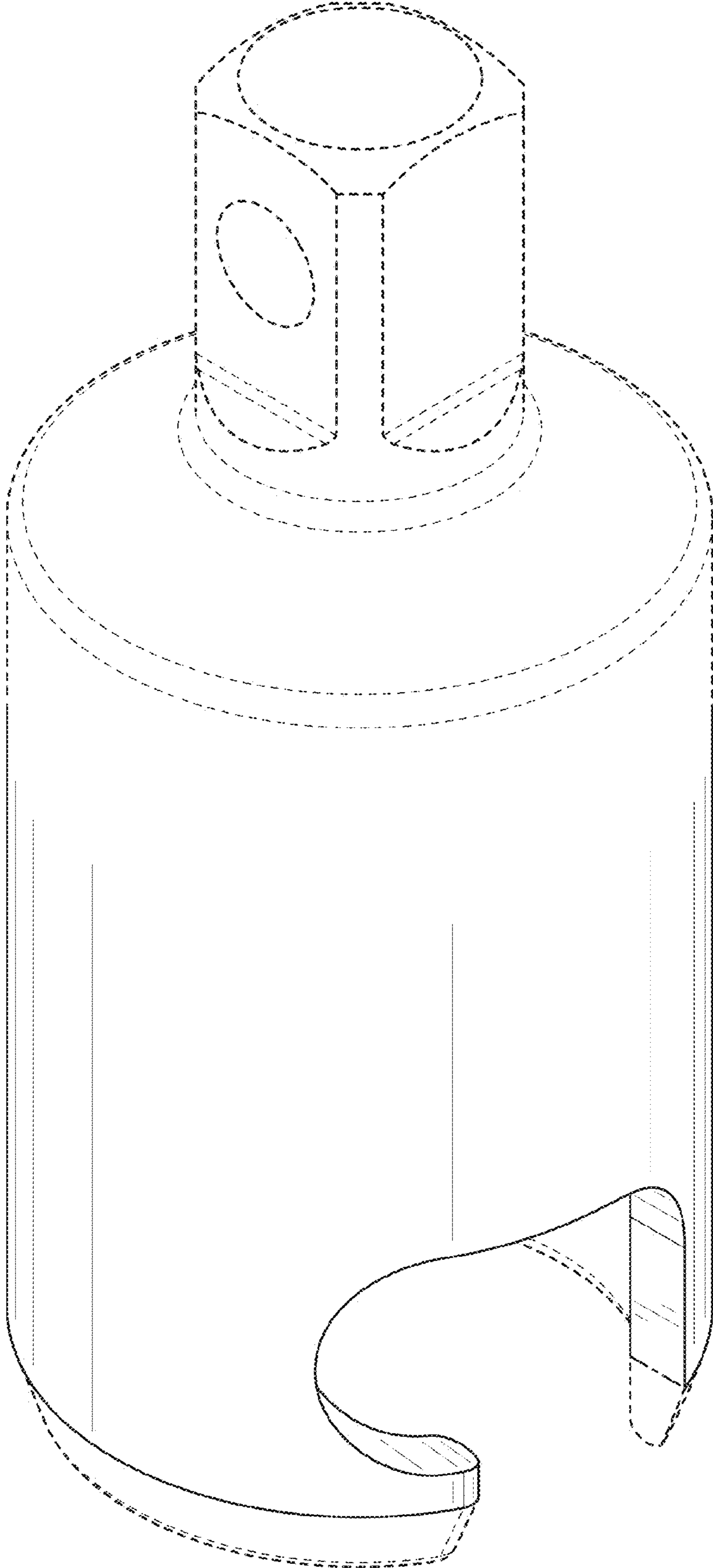


FIG. 1

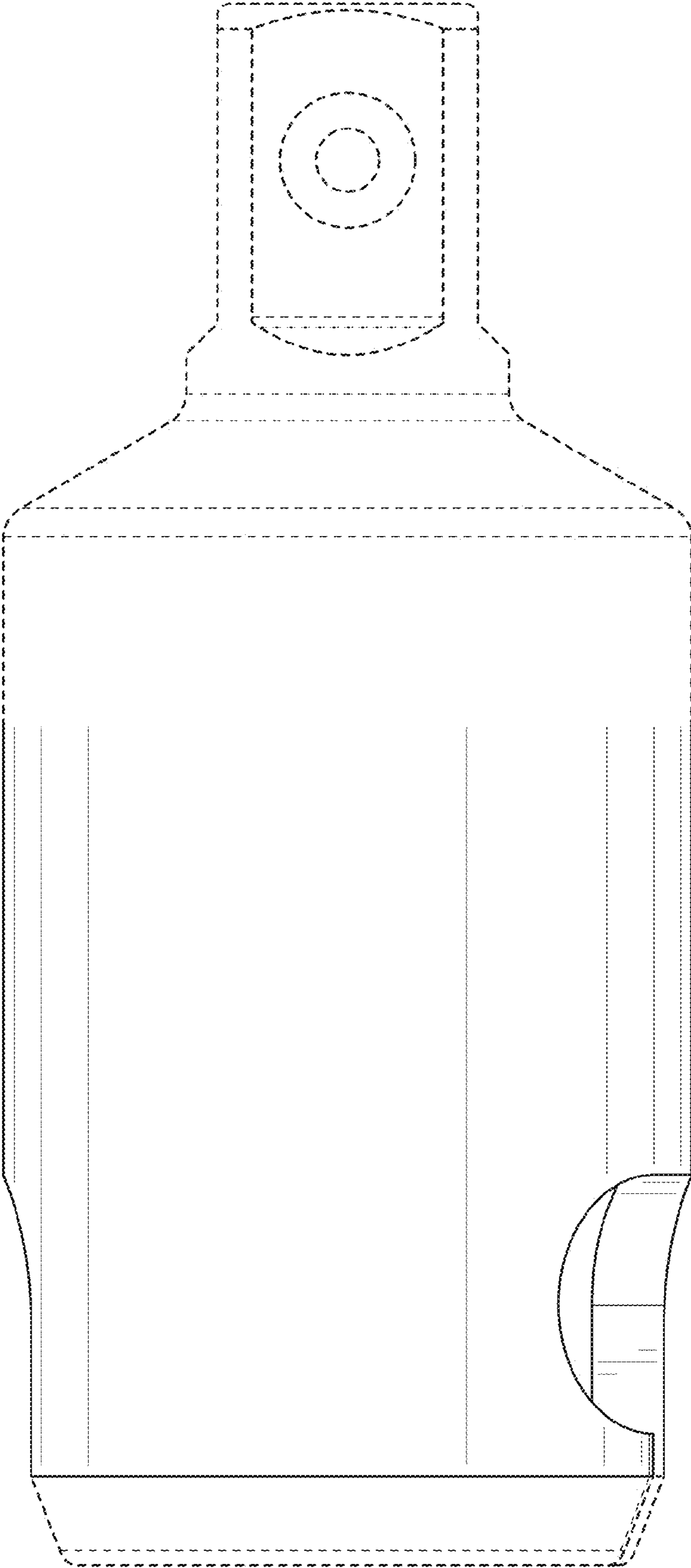


FIG. 2

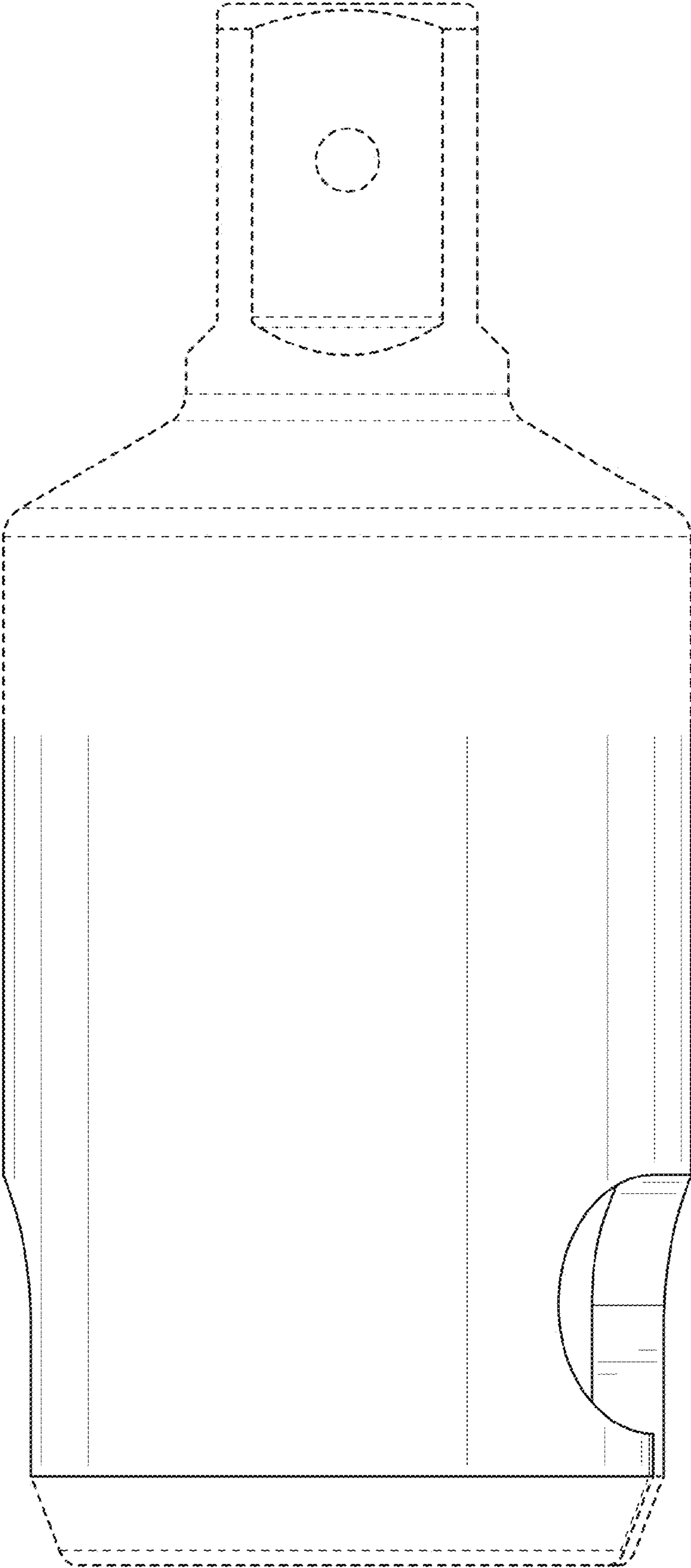


FIG. 3

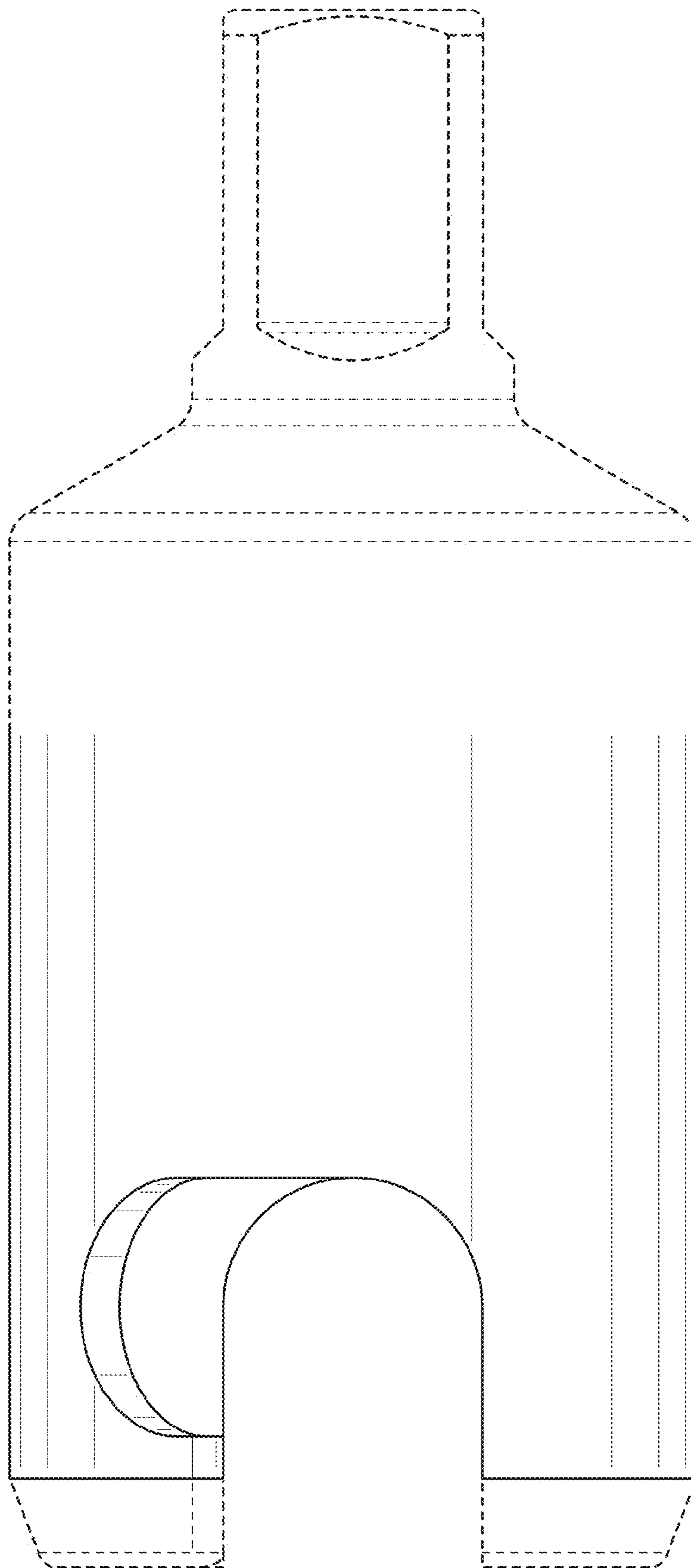


FIG. 4

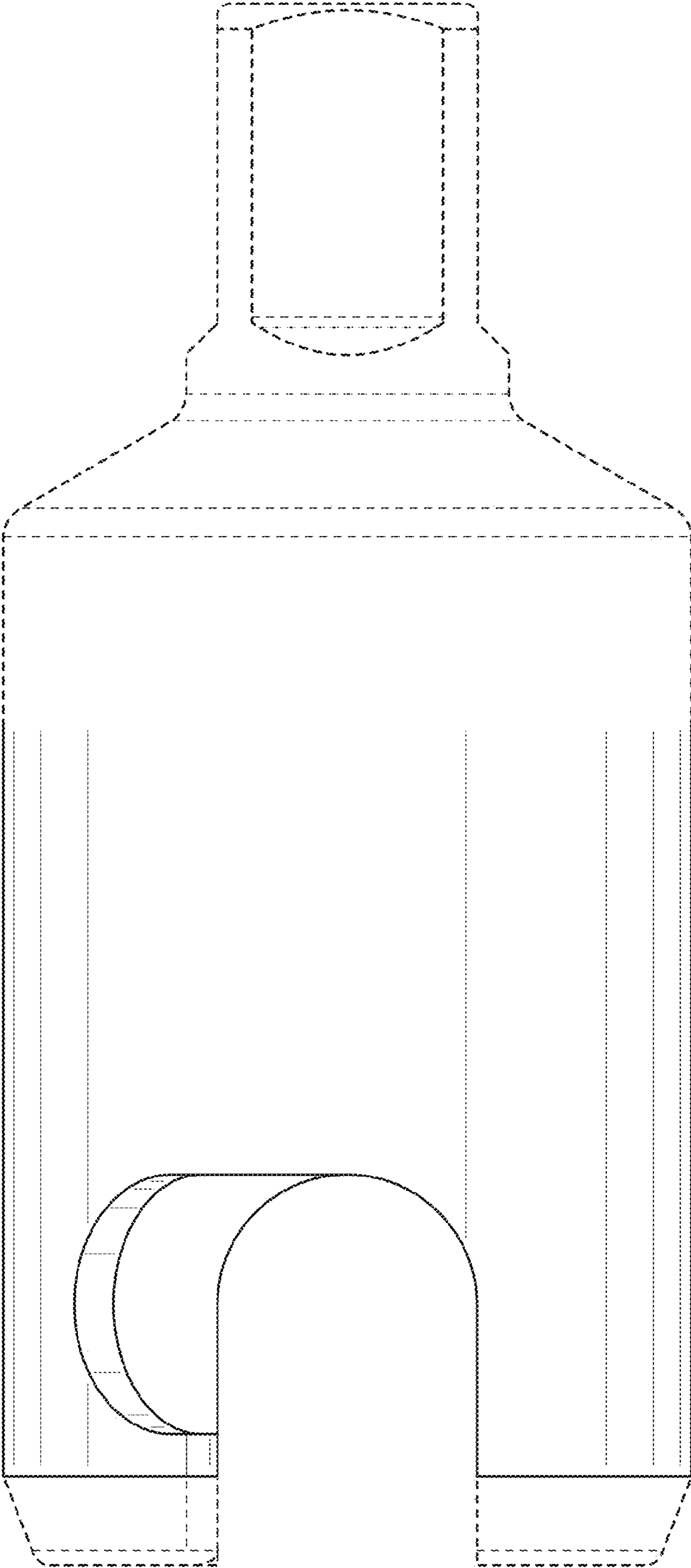


FIG. 5

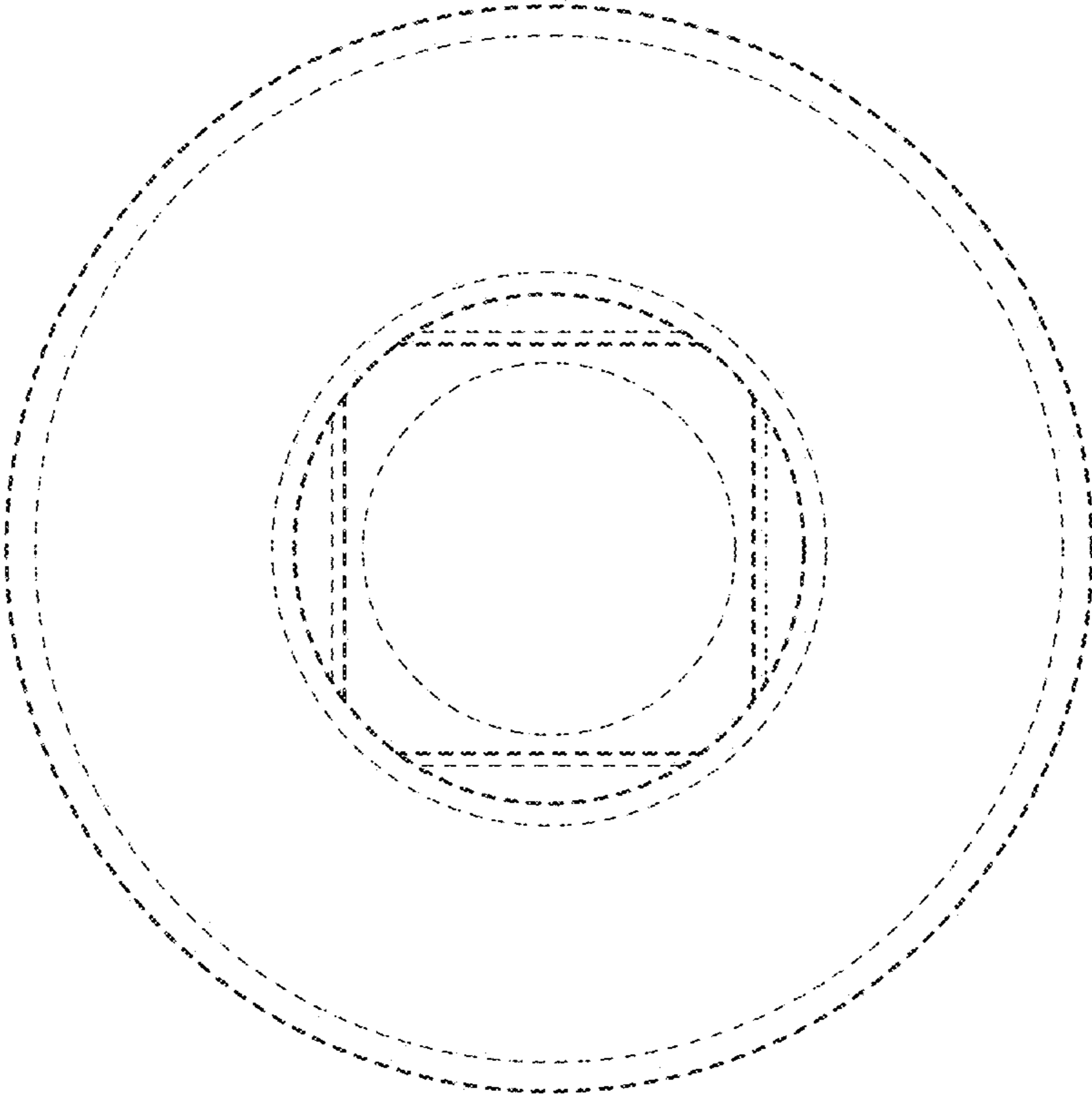


FIG. 6

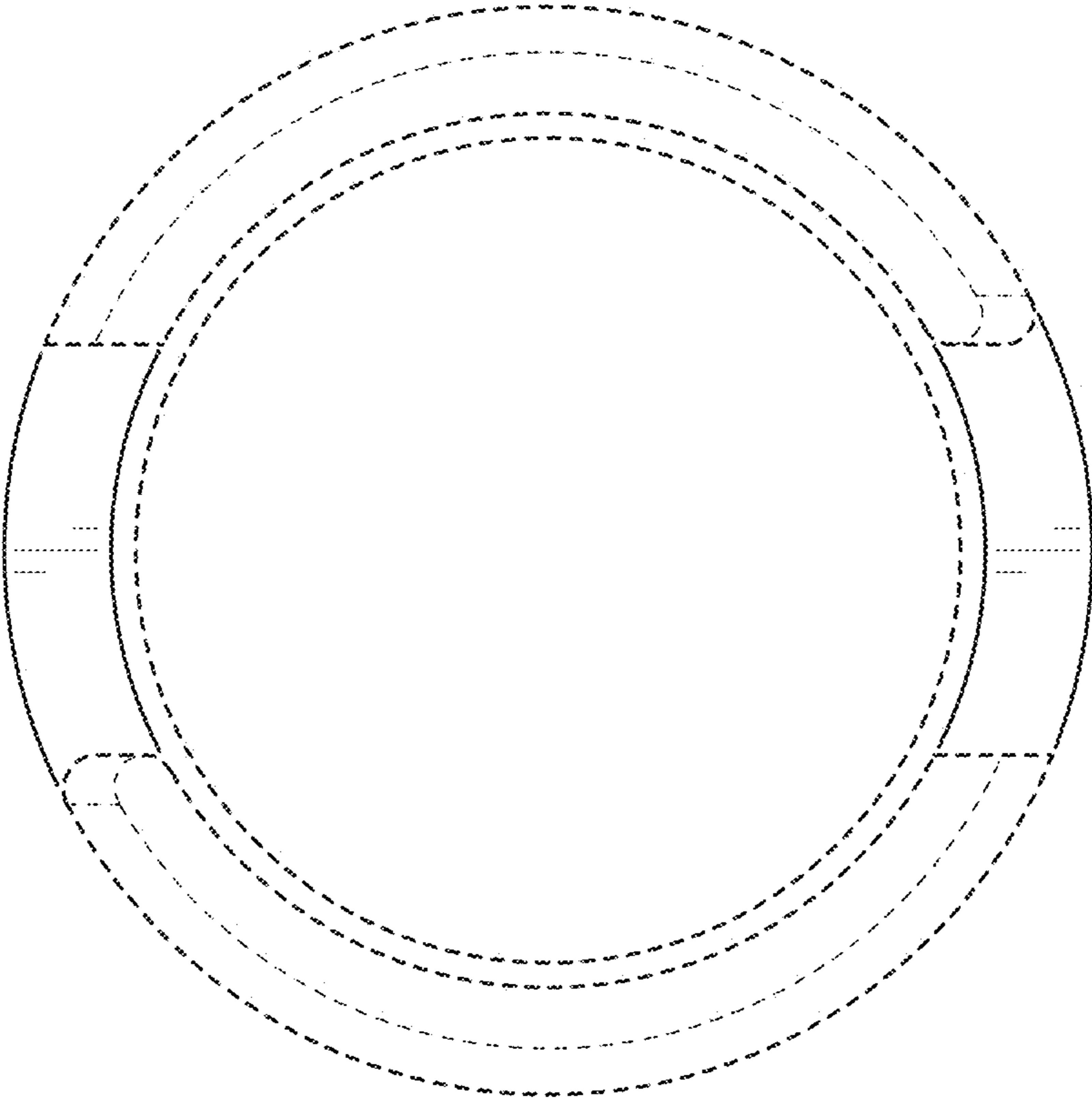


FIG. 7