



US00D901680S

(12) **United States Design Patent** (10) **Patent No.:** **US D901,680 S**
Guala (45) **Date of Patent:** **** Nov. 10, 2020**

(54) **CONNECTOR FOR MEDICAL LINES**

(71) Applicant: **INDUSTRIE BORLA S.p.A.**,
Moncalieri (Turin) (IT)

(72) Inventor: **Gianni Guala**, Turin (IT)

(73) Assignee: **INDUSTRIE BORLA S.p.A.**,
Moncalieri (Turin) (IT)

(**) Term: **15 Years**

(21) Appl. No.: **29/667,884**

(22) Filed: **Oct. 25, 2018**

(30) **Foreign Application Priority Data**

Apr. 27, 2018 (EM) 005250875-0001

(51) **LOC (12) Cl.** **24-01**

(52) **U.S. Cl.**
USPC **D24/129**

(58) **Field of Classification Search**
USPC D24/127–131, 112–114, 133, 186;
606/181, 185; 604/264, 523–528, 272,
604/187, 158, 164.01–164.11, 181, 184,
604/227; 600/101, 139, 143;
128/200.24, 207.14, 207.15
CPC A61M 25/00; A61M 39/00; A61M 27/00;
A61M 25/0043; A61M 25/0067; A61M
25/0097; A61F 2/958
See application file for complete search history.

(56) **References Cited**

U.S. PATENT DOCUMENTS

D627,461 S * 11/2010 Cantu D24/140
D717,430 S * 11/2014 Shiraishi D24/130

D748,778 S * 2/2016 Shiozaki D24/130
D751,192 S * 3/2016 She D24/127
D787,669 S * 5/2017 Huang D24/130
D804,023 S * 11/2017 Huang D24/130
D825,749 S * 8/2018 Huang D24/130
D834,187 S * 11/2018 Ryan A61M 39/20
D24/130
D852,356 S * 6/2019 Steele D24/129
2003/0078548 A1 * 4/2003 Kobayashi A61M 5/3216
604/263
2014/0188046 A1 * 7/2014 DiBiasi A61M 5/3202
604/111
2014/0265319 A1 * 9/2014 Clark A61M 39/1011
285/330
2018/0339115 A1 * 11/2018 Limaye A61M 5/3272

* cited by examiner

Primary Examiner — Nathan M Johnston
(74) *Attorney, Agent, or Firm* — Heslin Rothenberg
Farley & Mesiti P.C.; Victor A. Cardona, Esq.

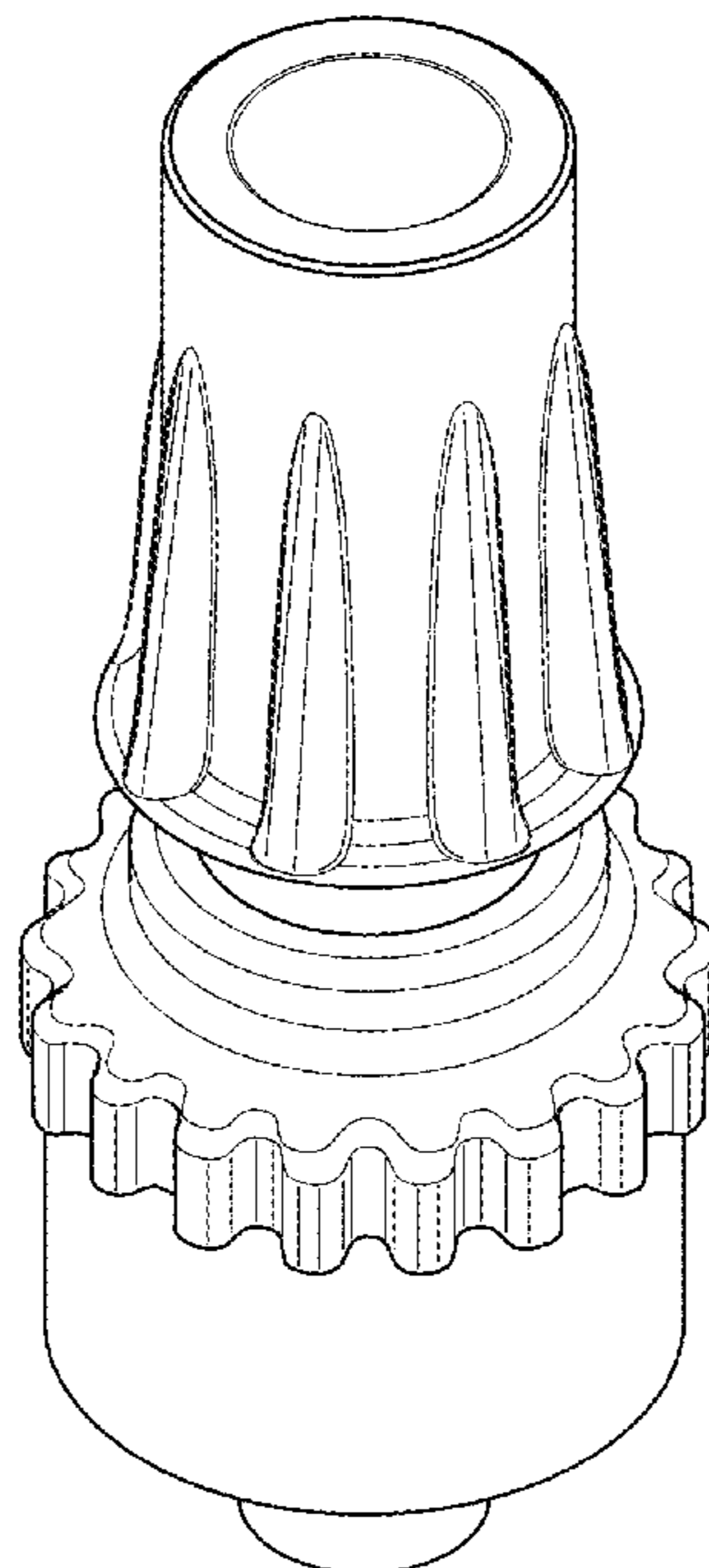
(57) **CLAIM**

I claim the ornamental design for a connector for medical lines, as shown and described.

DESCRIPTION

FIG. 1 shows a perspective view of a connector for medical lines showing the new design;
FIG. 2 shows a right side view thereof;
FIG. 3 shows a left side view thereof;
FIG. 4 shows a front view thereof;
FIG. 5 shows a rear view thereof;
FIG. 6 shows a top plan view thereof; and,
FIG. 7 shows a bottom plan view thereof.
The broken lines show portions of the design that form no part of the claimed design.

1 Claim, 7 Drawing Sheets



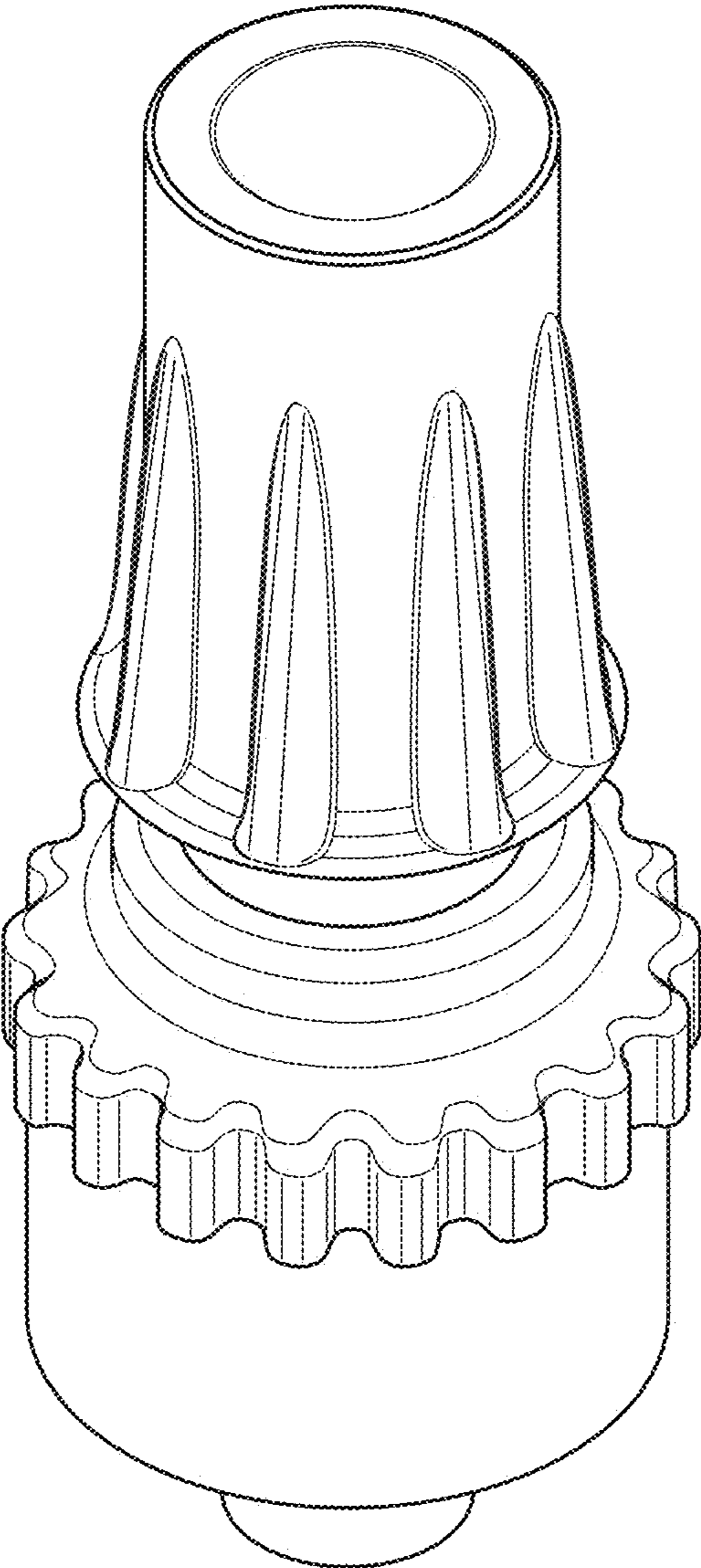


FIG. 1

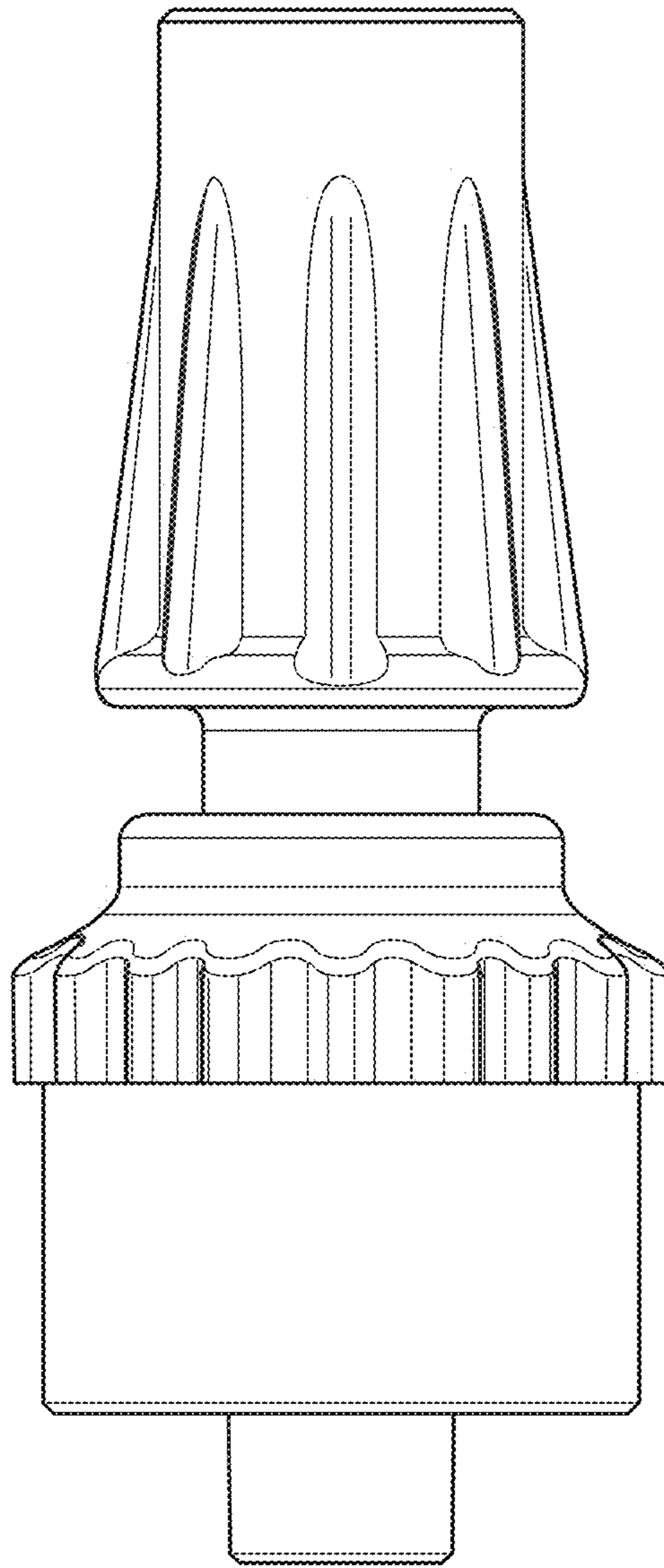


FIG. 2

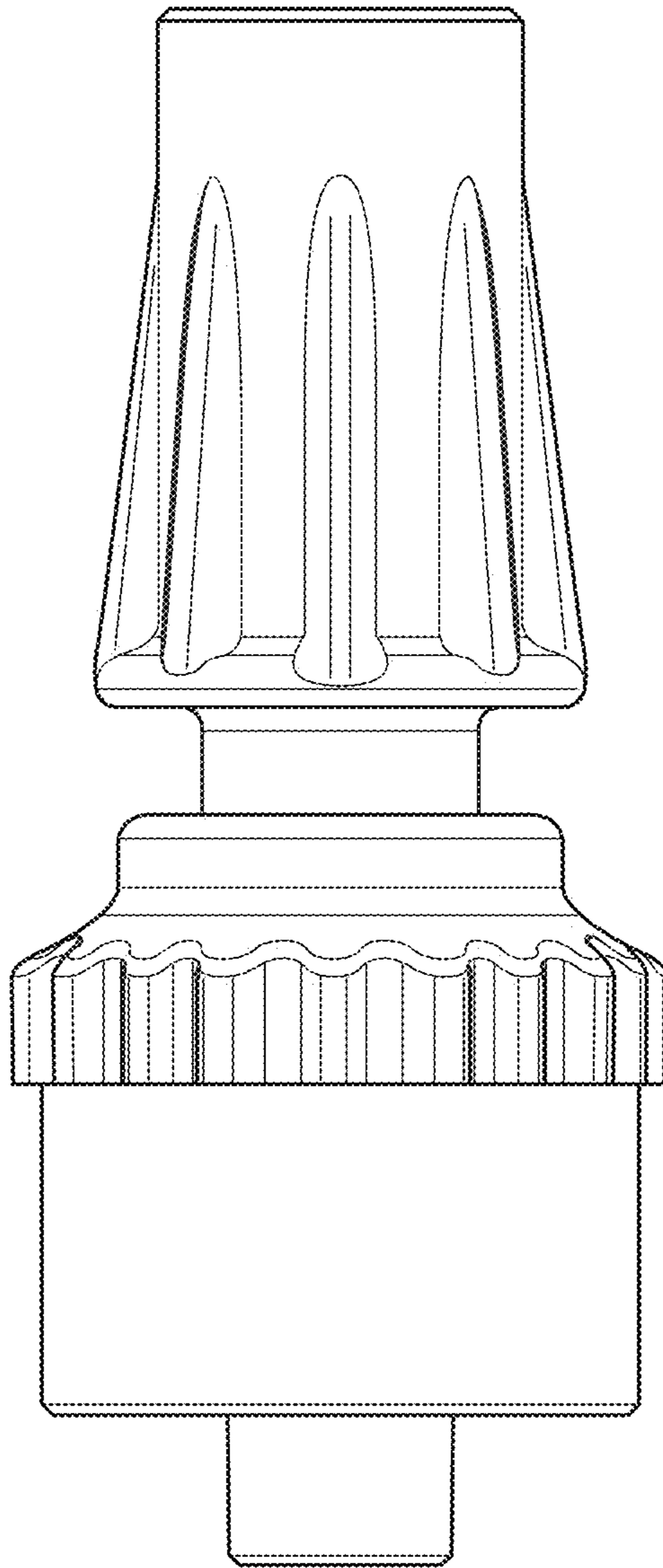


FIG. 3

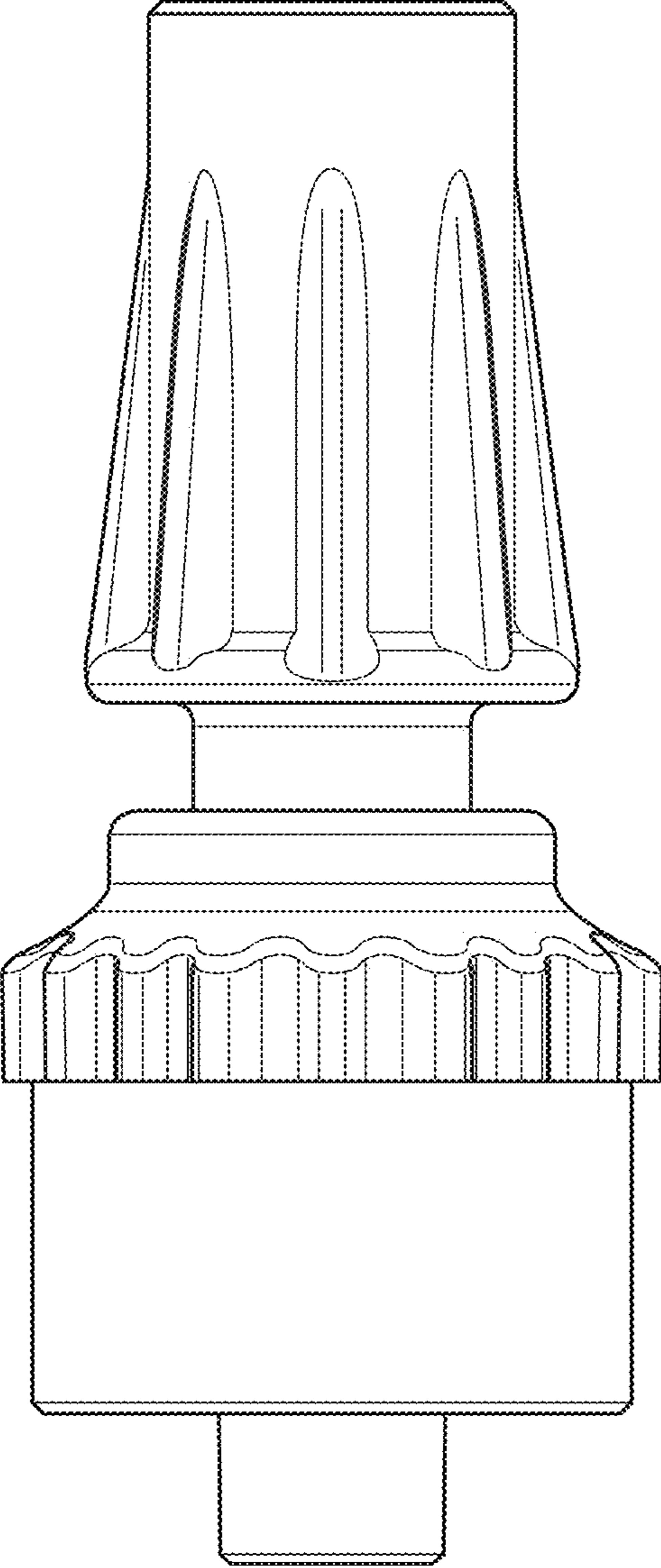


FIG. 4

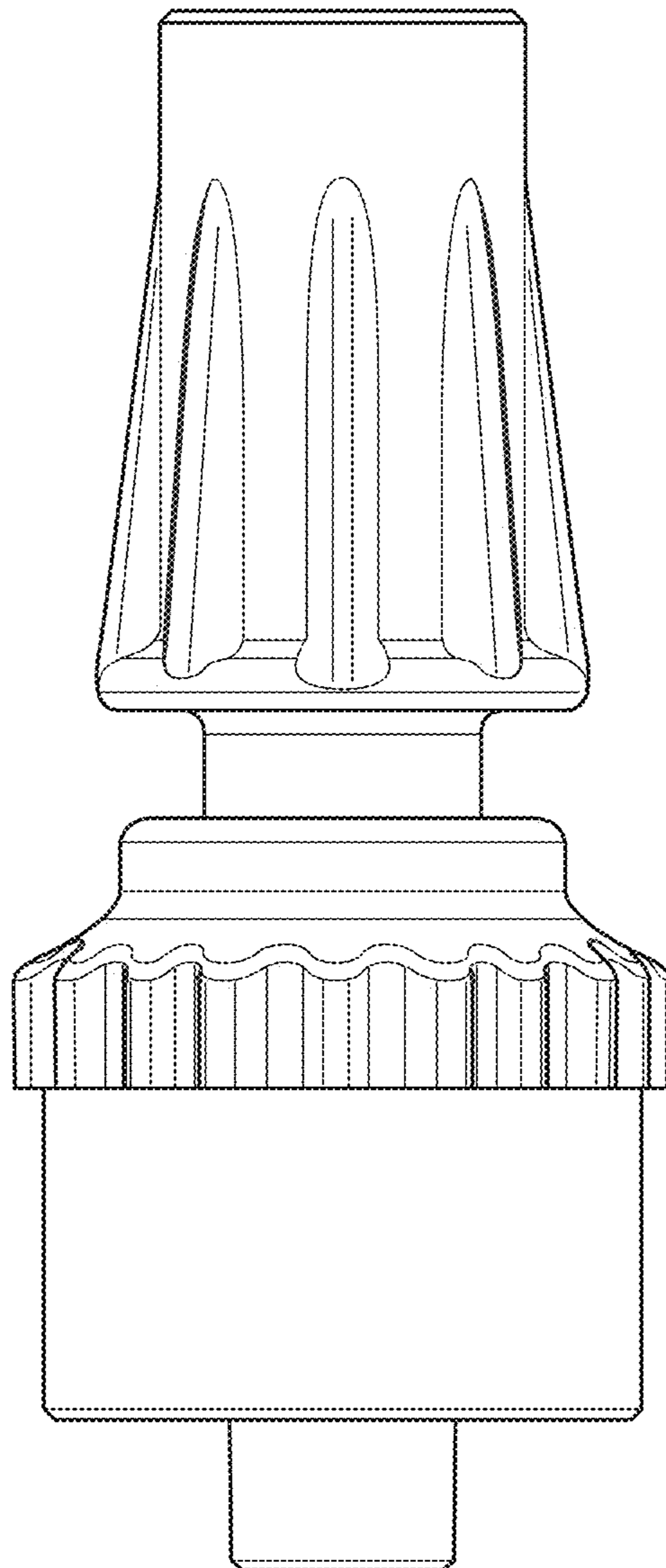


FIG. 5

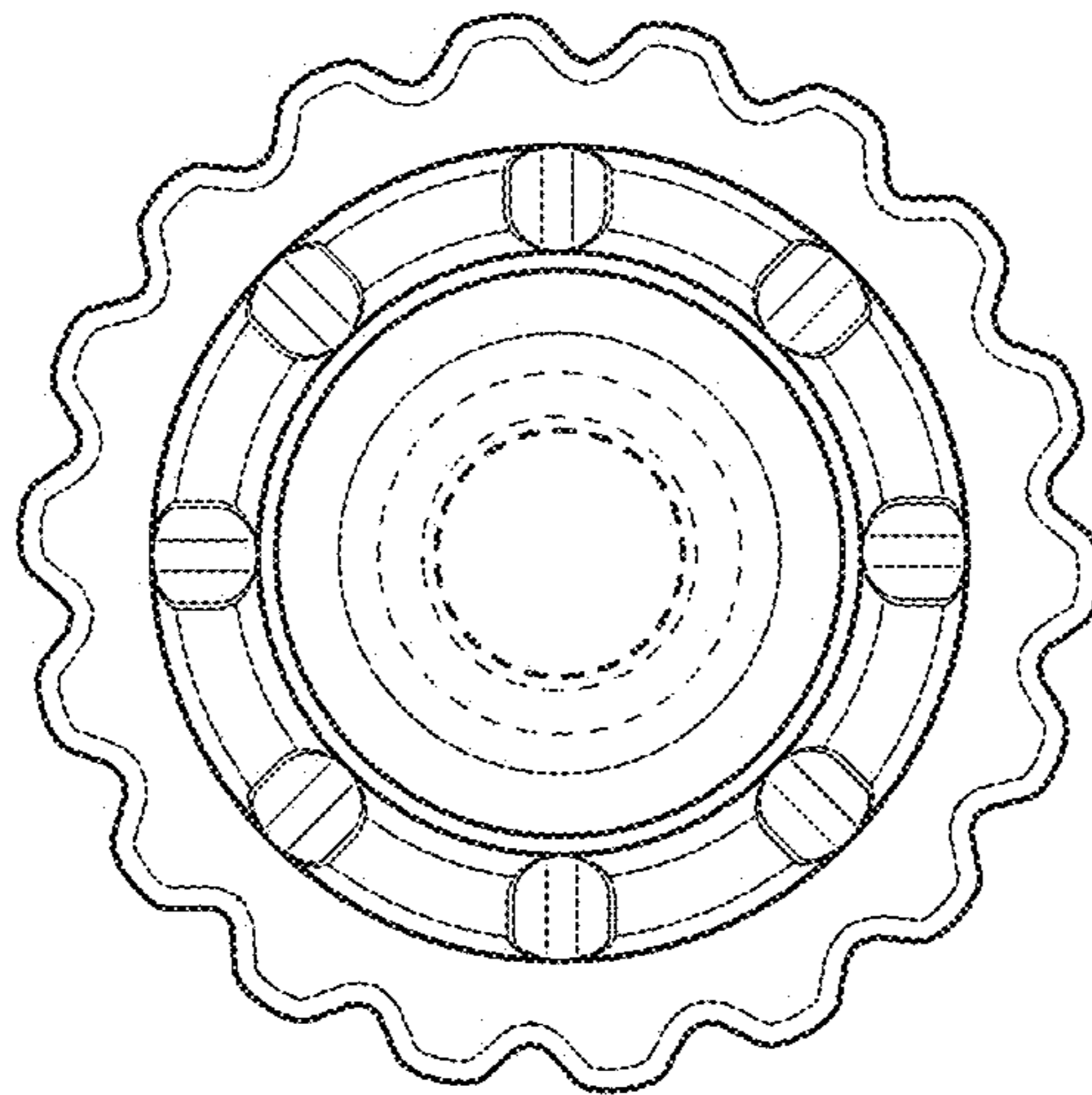


FIG. 6

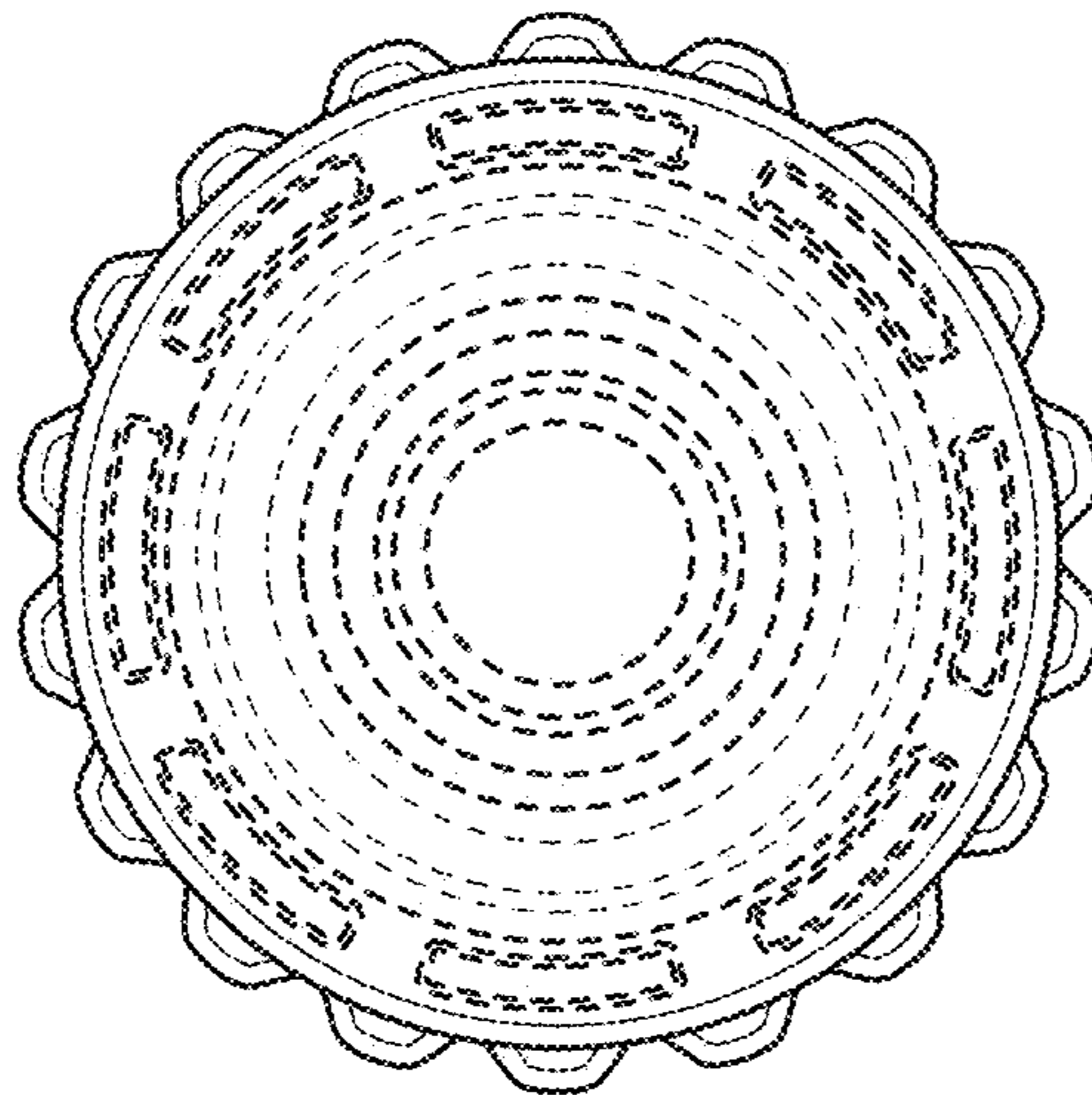


FIG. 7