



US00D901675S

(12) **United States Design Patent** (10) **Patent No.:** **US D901,675 S**  
**Ross et al.** (45) **Date of Patent:** **\*\* Nov. 10, 2020**

(54) **ORAL IRRIGATOR RESERVOIR**  
(71) Applicant: **WATER PIK, INC.**, Fort Collins, CO (US)  
(72) Inventors: **Catherine Ross**, Fort Collins, CO (US); **Brian Williams**, Fort Collins, CO (US); **Jeffrey Ladwig**, Seattle, WA (US); **Adam Weisgerber**, Shoreline, WA (US)  
(73) Assignee: **WATER PIK, INC.**, Fort Collins, CO (US)  
(\*\*) Term: **15 Years**  
(21) Appl. No.: **29/668,462**  
(22) Filed: **Oct. 30, 2018**  
(51) **LOC (12) Cl.** ..... **24-02**  
(52) **U.S. Cl.**  
USPC ..... **D24/111**  
(58) **Field of Classification Search**  
USPC ..... D24/107-108, 111, 169, 185-186; D4/102-102, 109-111, 138; D7/384, 413  
CPC ..... A61M 5/142; A61M 2205/502; A61M 5/1452; A61M 2205/505; A01K 39/04  
See application file for complete search history.

(56) **References Cited**

**U.S. PATENT DOCUMENTS**

D210,019 S \* 1/1968 Johnson et al. .... D24/111  
D220,334 S \* 3/1971 Mackey et al. .... D24/111  
D301,824 S \* 6/1989 Machuron ..... D7/378  
D367,110 S \* 2/1996 Cotter ..... D24/108  
D371,718 S \* 7/1996 Machuron ..... D7/376  
D539,899 S \* 4/2007 Kataoka ..... D24/108  
D632,922 S \* 2/2011 Grigor ..... D7/376  
D708,903 S \* 7/2014 Wong ..... D7/378  
D725,770 S \* 3/2015 Kim ..... D24/111  
10,016,254 B2 7/2018 Luetgen  
D825,256 S \* 8/2018 Vu ..... D7/379  
D833,000 S \* 11/2018 Porter ..... D24/111

D833,600 S \* 11/2018 Porter ..... D24/111  
D839,409 S \* 1/2019 Massie ..... D24/111  
D839,410 S \* 1/2019 Kim ..... D24/111  
D840,023 S \* 2/2019 Massie ..... D24/111  
D842,483 S \* 3/2019 Huang ..... D24/108  
D851,239 S \* 6/2019 Chen ..... D24/111  
D857,881 S \* 8/2019 Massie ..... D24/111  
(Continued)

**FOREIGN PATENT DOCUMENTS**

CA 157122 S 2/2015  
CN ZL201420006692.6 7/2014  
(Continued)

**OTHER PUBLICATIONS**

Waterpik Replacement Water Tank Reservoir for Ultra WP-100 | eBay website 2020, [https://www.ebay.com/...et=pla-886140166958&abcId=1140476&merchantid=115300268&gclid=EAlalQobChMlkbnd\\_6HO6QIVg7LICH3s2wlvEAQYBSABEgJb9vD\\_BwE](https://www.ebay.com/...et=pla-886140166958&abcId=1140476&merchantid=115300268&gclid=EAlalQobChMlkbnd_6HO6QIVg7LICH3s2wlvEAQYBSABEgJb9vD_BwE), site visited May 25, 2020.\*

*Primary Examiner* — John R Yeh  
(74) *Attorney, Agent, or Firm* — Dorsey & Whitney LLP

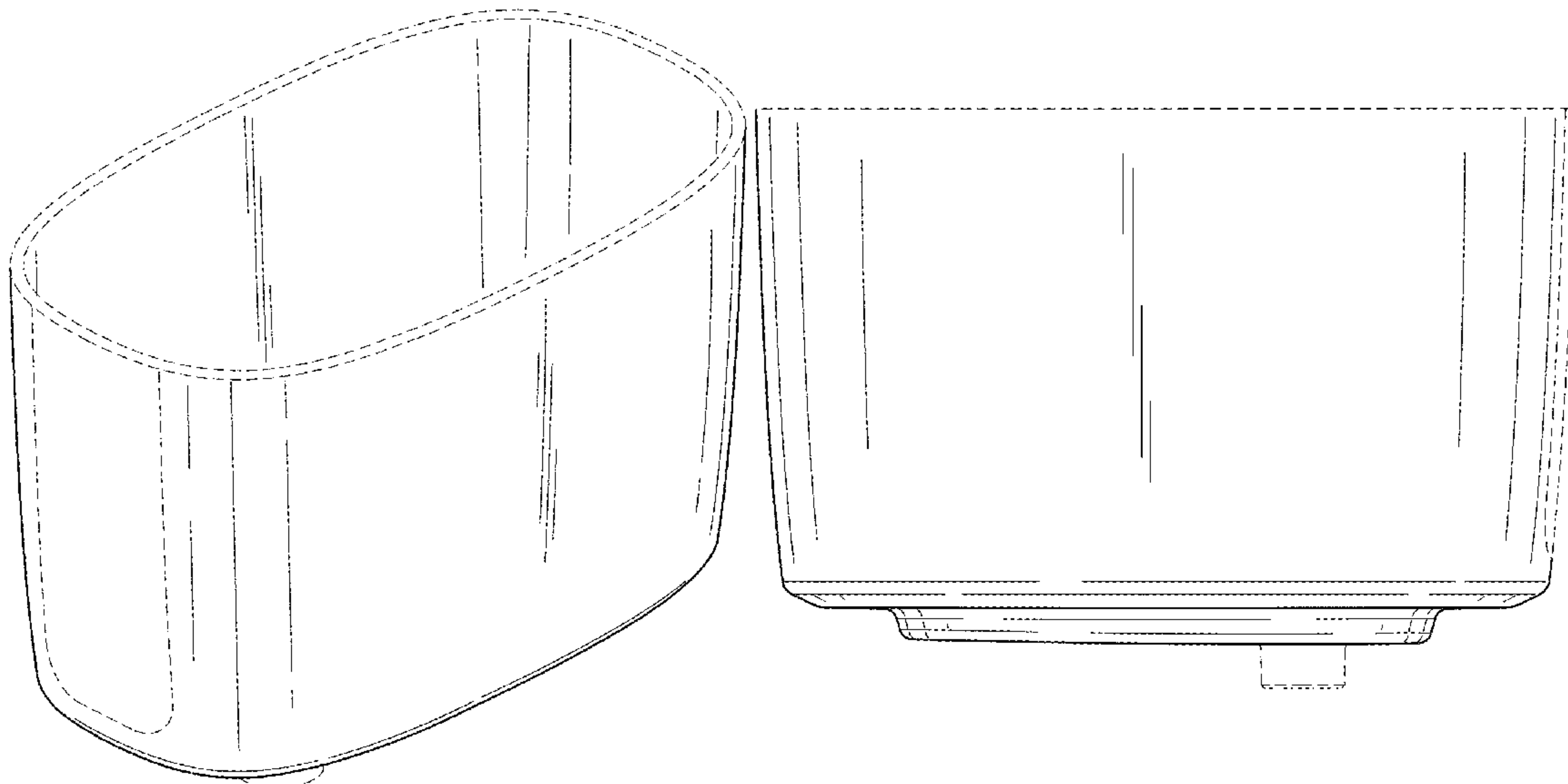
(57) **CLAIM**

We claim the ornamental design for an oral irrigator reservoir, as shown and described.

**DESCRIPTION**

FIG. 1 is a front isometric view of an oral irrigator reservoir. FIG. 2 is a front elevation view thereof. FIG. 3 is a rear elevation view thereof. FIG. 4 is a left side elevation view thereof. FIG. 5 is a right side elevation view thereof. FIG. 6 is a top plan view thereof; and, FIG. 7 is a bottom plan view thereof. The broken lines illustrate portions of the oral irrigator reservoir that form no part of the claimed design.

**1 Claim, 7 Drawing Sheets**



(56)

**References Cited**

U.S. PATENT DOCUMENTS

D858,750 S \* 9/2019 Porter ..... D24/111  
D859,643 S \* 9/2019 Li ..... D24/111  
D859,644 S \* 9/2019 Porter ..... D24/111  
D867,579 S \* 11/2019 Porter ..... D24/111  
D872,855 S \* 1/2020 Porter ..... D24/111  
2008/0127900 A1\* 6/2008 Humphries ..... A01K 39/04  
119/51.5

FOREIGN PATENT DOCUMENTS

CN ZL201430002979.7 S 9/2014  
EM 002484337-0001 6/2014  
WO WO D098524-002 \* 12/2017

\* cited by examiner

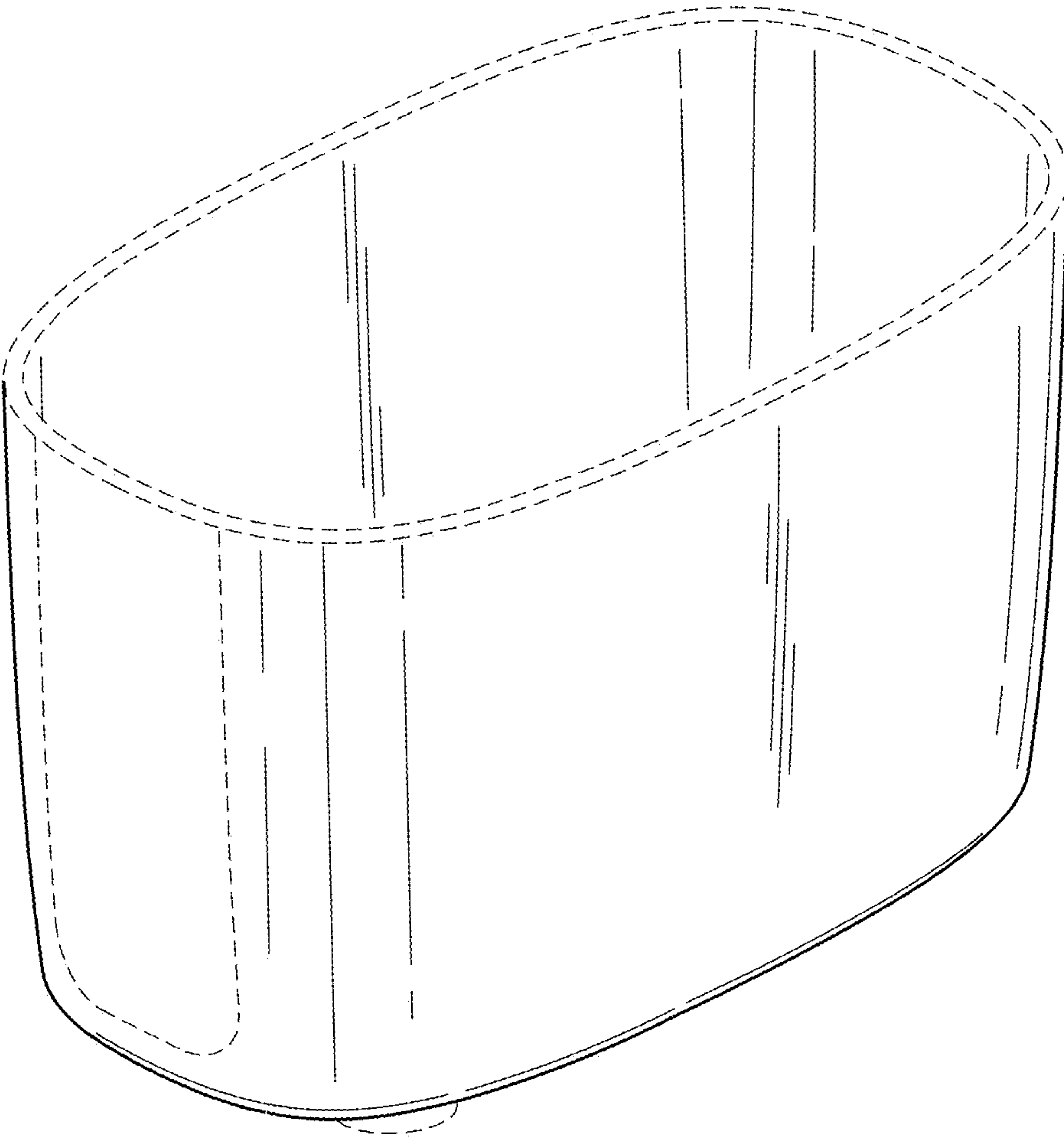


FIG. 1

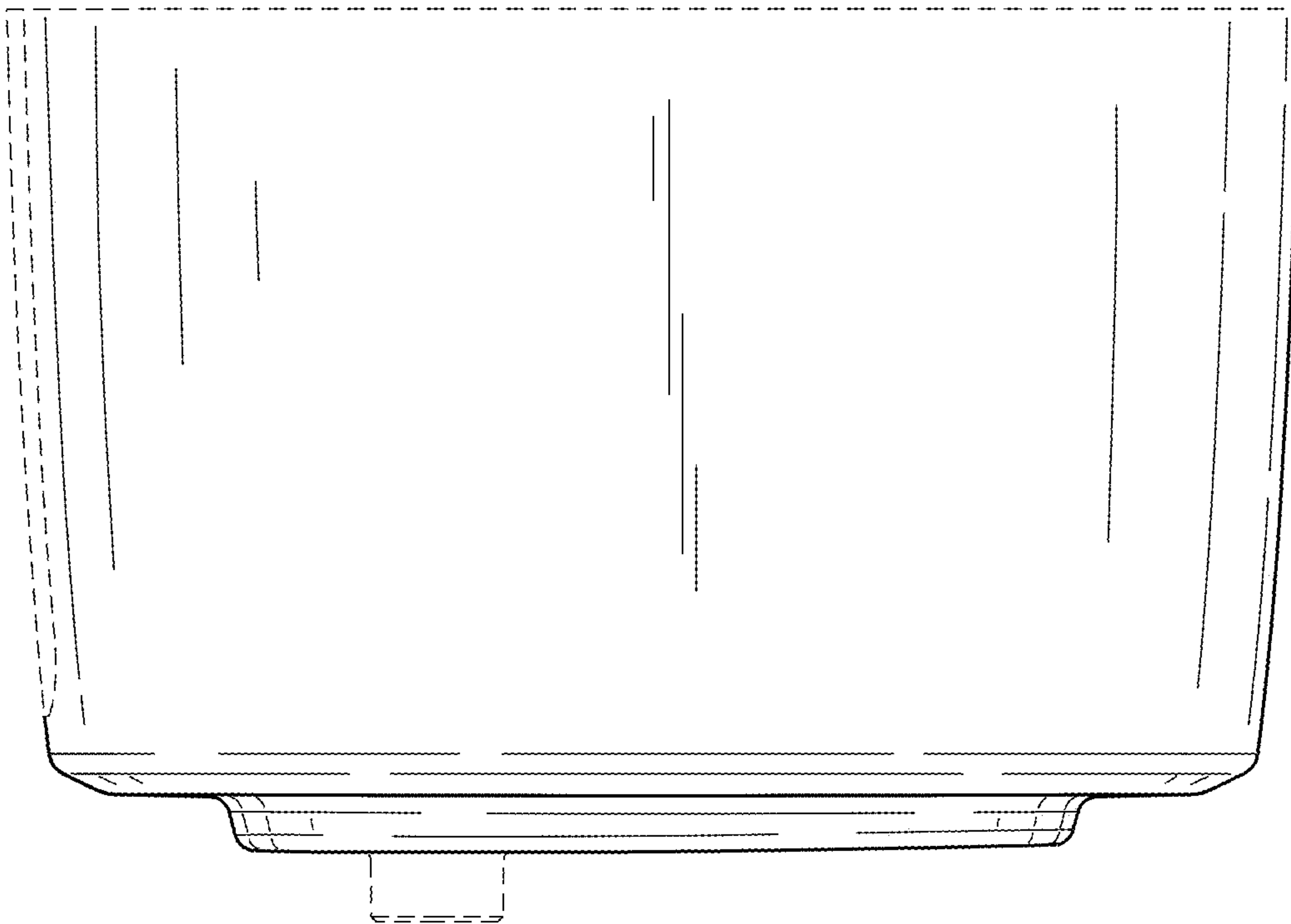


FIG. 2

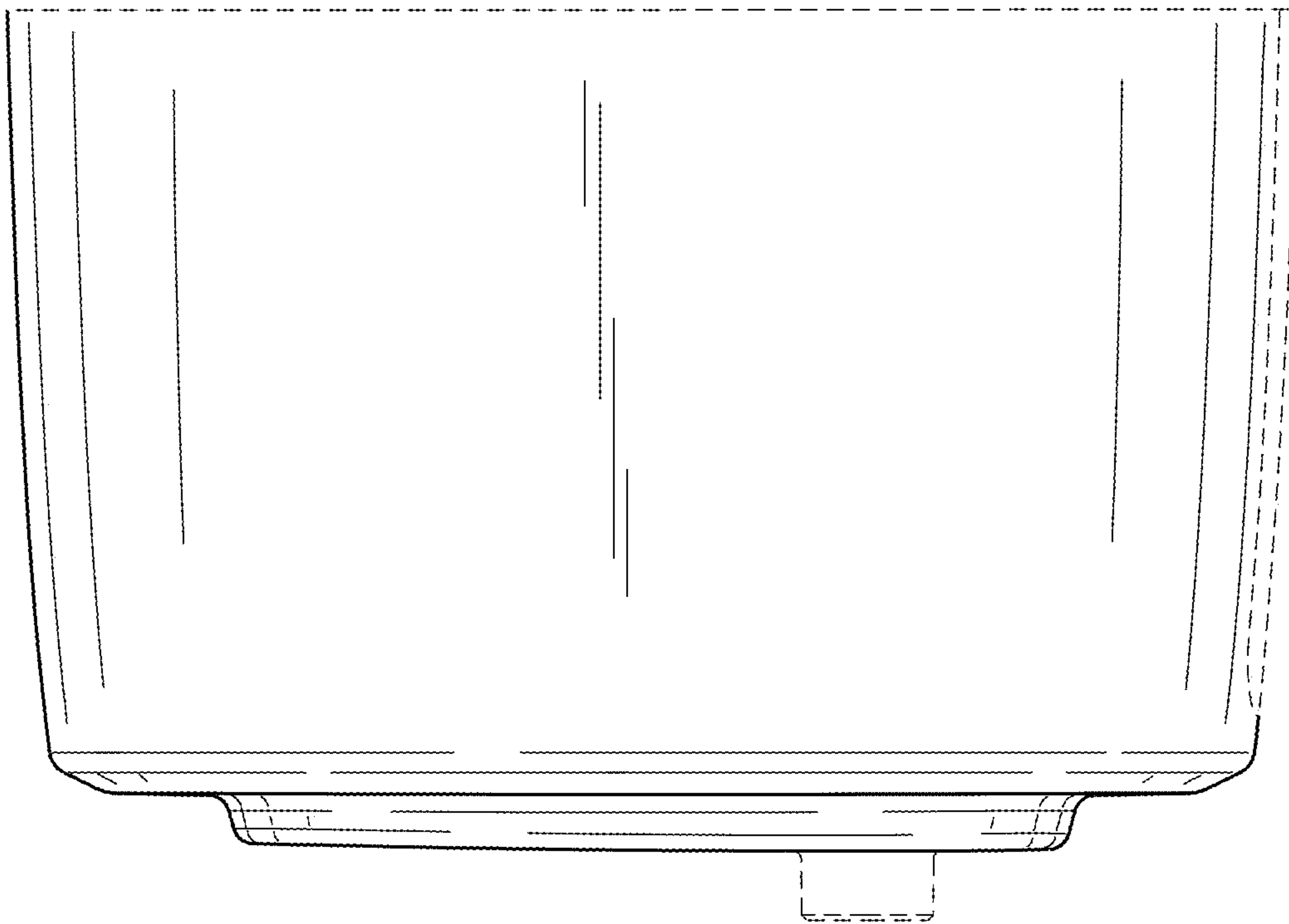


FIG. 3

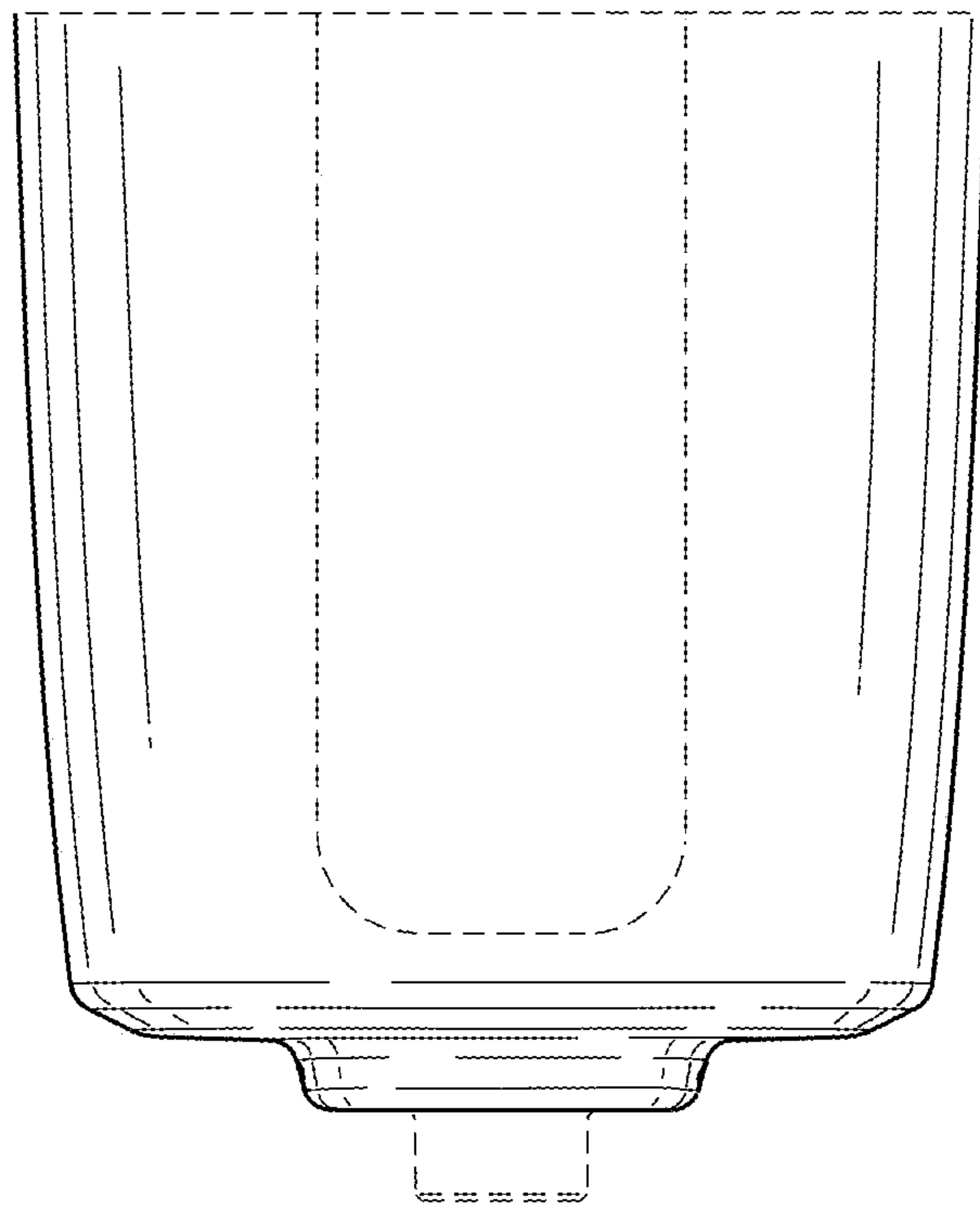


FIG. 4

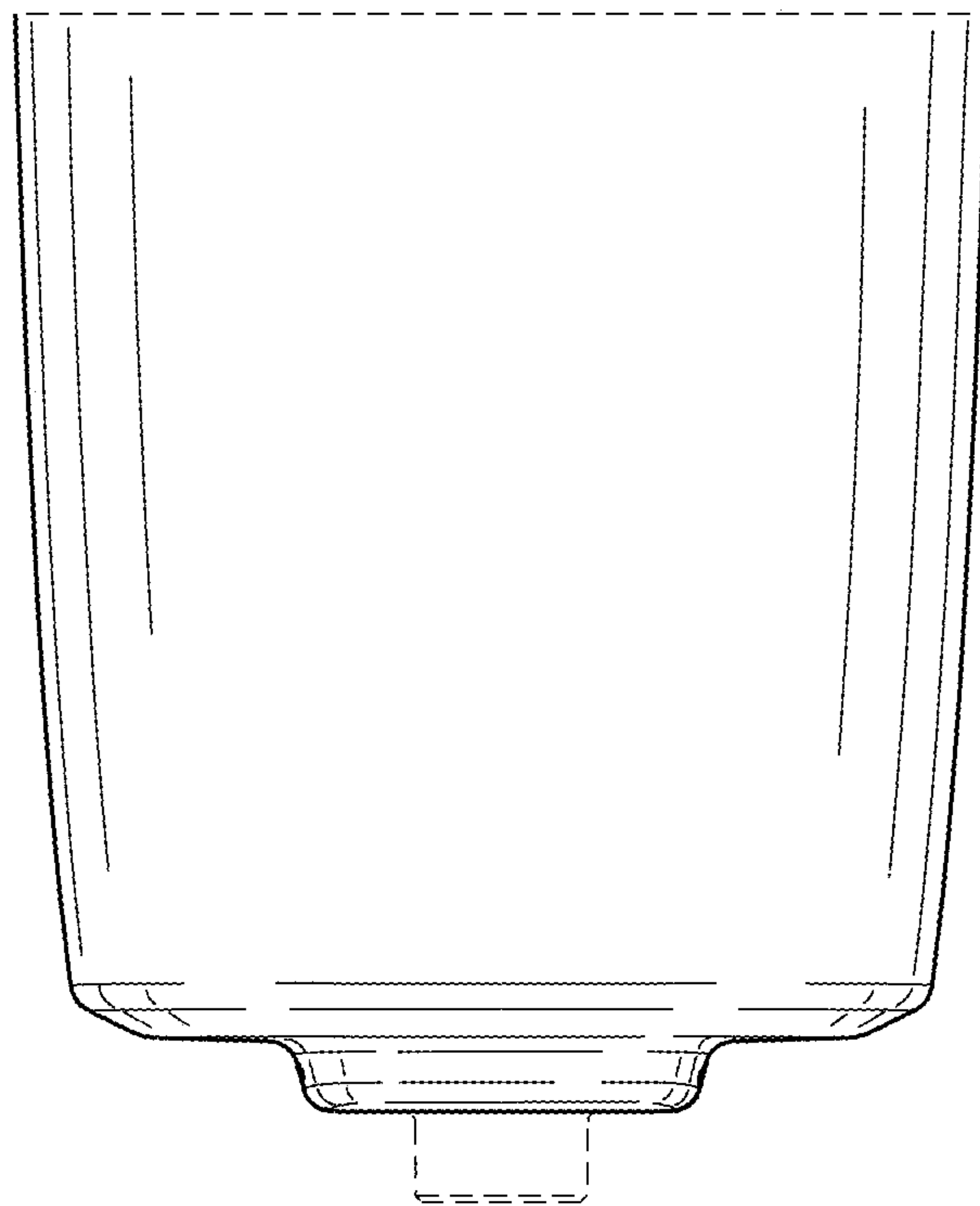


FIG. 5

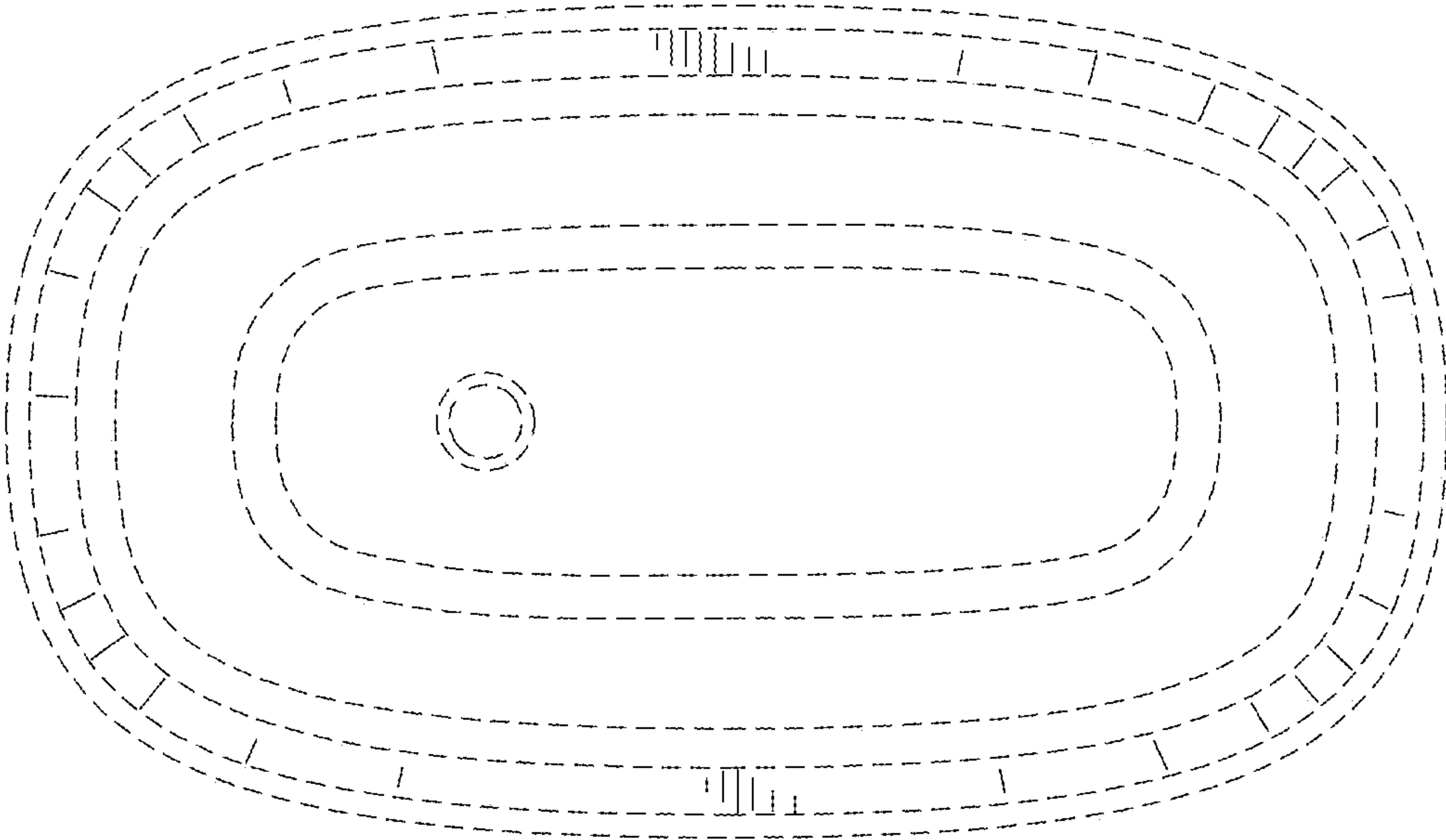


FIG. 6



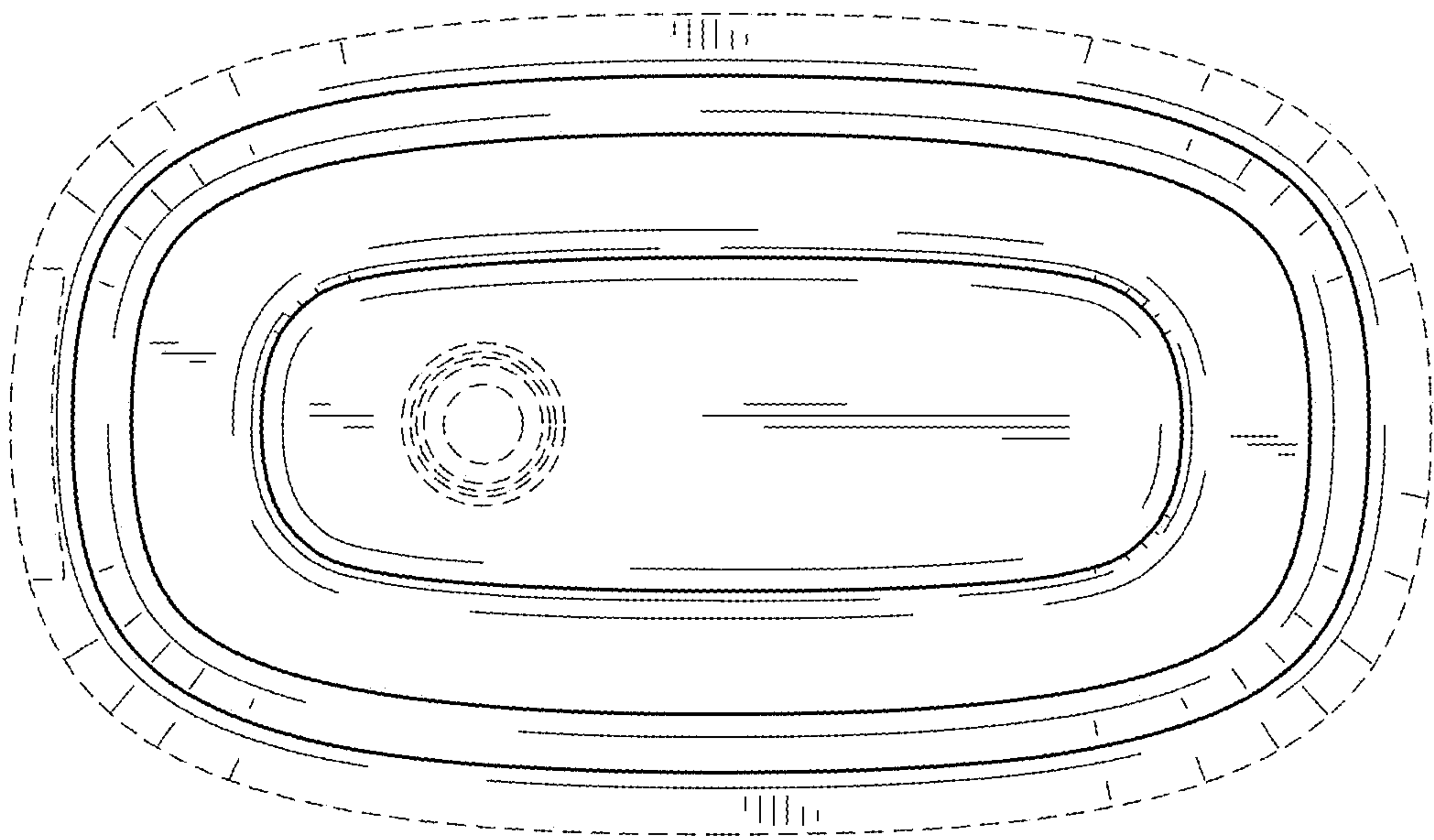


FIG. 7