

US00D901672S

(12) **United States Design Patent** (10) **Patent No.:** **US D901,672 S**  
**Tanabe et al.** (45) **Date of Patent:** **\*\* Nov. 10, 2020**

(54) **MEDICAL RESPIRATOR MASK**  
(71) Applicant: **ATOM MEDICAL CORPORATION,**  
Tokyo (JP)  
(72) Inventors: **Takashi Tanabe,** Saitama (JP); **Kenji Kobayashi,** Saitama (JP); **Ichiro Matsubara,** Tokyo (JP)  
(73) Assignee: **ATOM MEDICAL CORPORATION,**  
Tokyo (JP)  
(\*\*) Term: **15 Years**  
(21) Appl. No.: **29/658,754**  
(22) Filed: **Aug. 2, 2018**  
(30) **Foreign Application Priority Data**

Feb. 2, 2018 (JP) ..... 2018-002049  
(51) **LOC (12) Cl.** ..... **29-02**  
(52) **U.S. Cl.**  
USPC ..... **D24/110.1**  
(58) **Field of Classification Search**  
USPC ..... D29/108, 122; D24/110.1–110.5, 100  
CPC ..... A41D 13/1107; A41D 13/002; A41D  
13/113; A41D 13/11; A45C 13/002;  
A61M 16/0683; A61M 2216/0683; A61M  
2210/0618; A61M 16/0666; A61M 16/06;  
A61M 16/0633; A61M 16/08; A61M  
16/0622  
See application file for complete search history.

(56) **References Cited**

**U.S. PATENT DOCUMENTS**

D267,985 S \* 2/1983 Huber ..... D24/110.1  
D382,341 S \* 8/1997 Freund ..... D24/110.1  
D434,141 S \* 11/2000 Randeberg ..... D24/110.1  
D568,986 S \* 5/2008 Holmquist-Brown .... D24/110.1  
D615,187 S \* 5/2010 Bowden ..... D24/110

D639,932 S \* 6/2011 D’Souza ..... D24/110.1  
D679,799 S \* 4/2013 D’Souza ..... D24/110  
D683,446 S \* 5/2013 Eves ..... D24/110.4  
D688,788 S \* 8/2013 Spruell ..... D24/110.1  
D740,409 S \* 10/2015 Siew ..... D24/110  
D747,795 S \* 1/2016 Blomberg ..... D24/110.1  
D775,323 S 12/2016 Bowsher

(Continued)

**FOREIGN PATENT DOCUMENTS**

CN 304474961 S 1/2018  
EM 003504711 1/2017

(Continued)

**OTHER PUBLICATIONS**

ResMed AirMini Auto Travel CPAP Machine, CPAP website reviews 2017, <https://www.cpap.com/productpage/resmed-airmini-autoset-travel-cpap-machine-airtouch> . . . site visited Nov. 12, 2019.\*

*Primary Examiner* — John R Yeh

(74) *Attorney, Agent, or Firm* — Brinks Gilson & Lione

(57) **CLAIM**

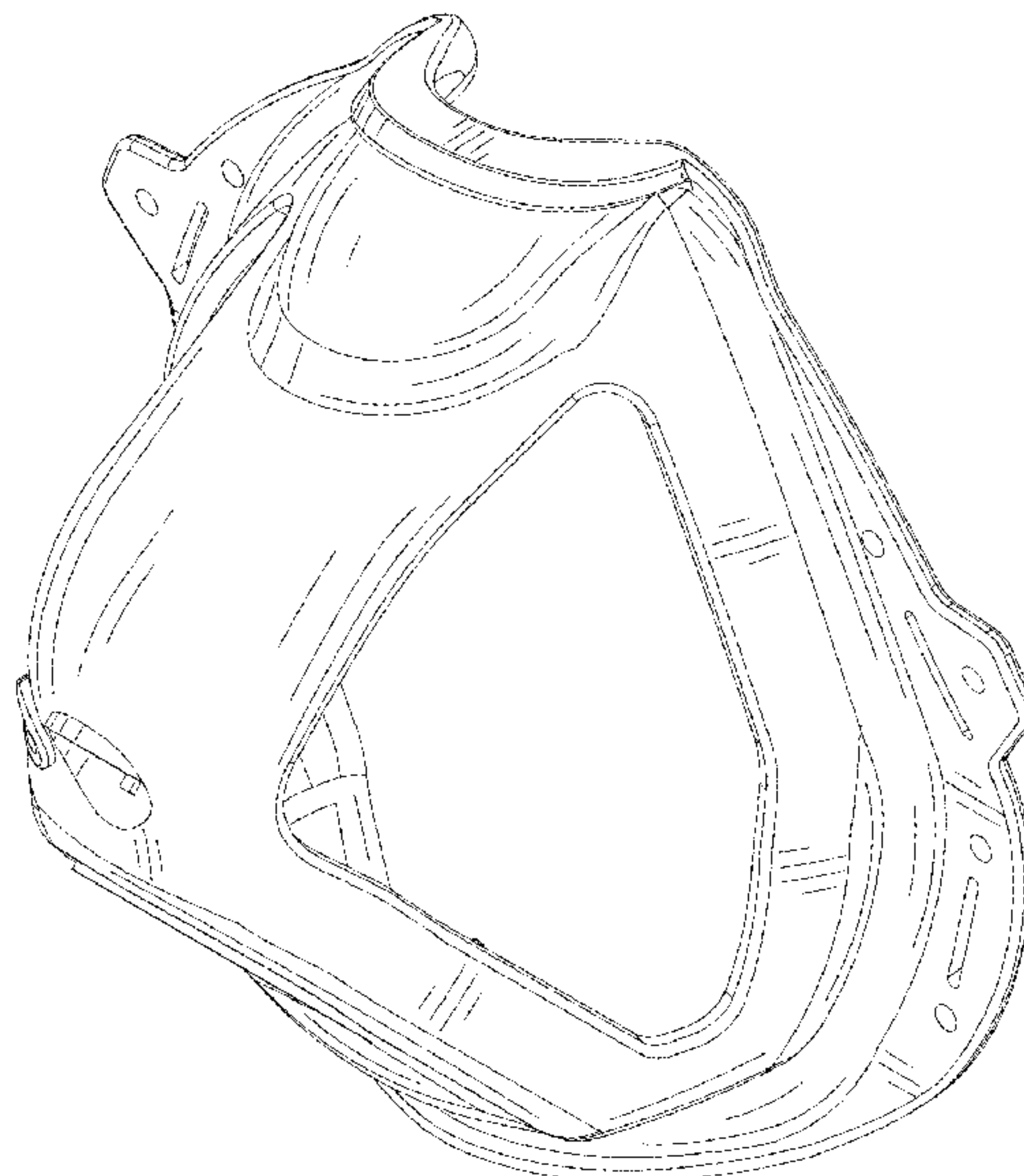
We claim the ornamental design for a medical respirator mask, as shown and described.

**DESCRIPTION**

FIG. 1 is a front perspective view of medical respirator mask of the present invention;  
FIG. 2 is a front view thereof;  
FIG. 3 is a rear view thereof;  
FIG. 4 is a left side view thereof;  
FIG. 5 is a right side view thereof;  
FIG. 6 is a top view thereof;  
FIG. 7 is a bottom view thereof; and,  
FIG. 8 is a cross-sectional view taken along lines 8-8 in FIG. 2.

The medical respirator mask is made of transparent material.

**1 Claim, 8 Drawing Sheets**



(56)

**References Cited**

U.S. PATENT DOCUMENTS

D811,582	S *	2/2018	Moulton	.....	D24/110.1
10,004,866	B2 *	6/2018	Davis	.....	A61M 16/0644
D838,837	S *	1/2019	Mahaffy	.....	D24/110.1
D849,235	S *	5/2019	Siew	.....	D24/110.1
D849,239	S *	5/2019	Gerson	.....	D24/110.1
2004/0112384	A1 *	6/2004	Lithgow	.....	A61M 16/06 128/206.21
2008/0060648	A1 *	3/2008	Thornton	.....	A61M 16/06 128/205.25
2014/0261435	A1 *	9/2014	Rothermel	.....	A61M 16/06 128/205.25
2015/0209540	A1 *	7/2015	Hendriks	.....	A61M 16/0683 128/204.21
2018/0008848	A1 *	1/2018	Moulton	.....	A62B 23/025
2019/0255275	A1 *	8/2019	Dravitzki	.....	A61M 16/06

FOREIGN PATENT DOCUMENTS

JP	1511758	S	11/2014
JP	1511942	S	11/2014
JP	1511943	S	11/2014
JP	1513344	S	12/2014
JP	1513489	S	12/2014
JP	1513979	S	12/2014
JP	1519346	S	3/2015
JP	1519618	S	3/2015
JP	1519619	S	3/2015
JP	1519620	S	3/2015
JP	2016-220982	A	12/2016
JP	D1579351	*	6/2017
JP	D1580148	S	6/2017

\* cited by examiner

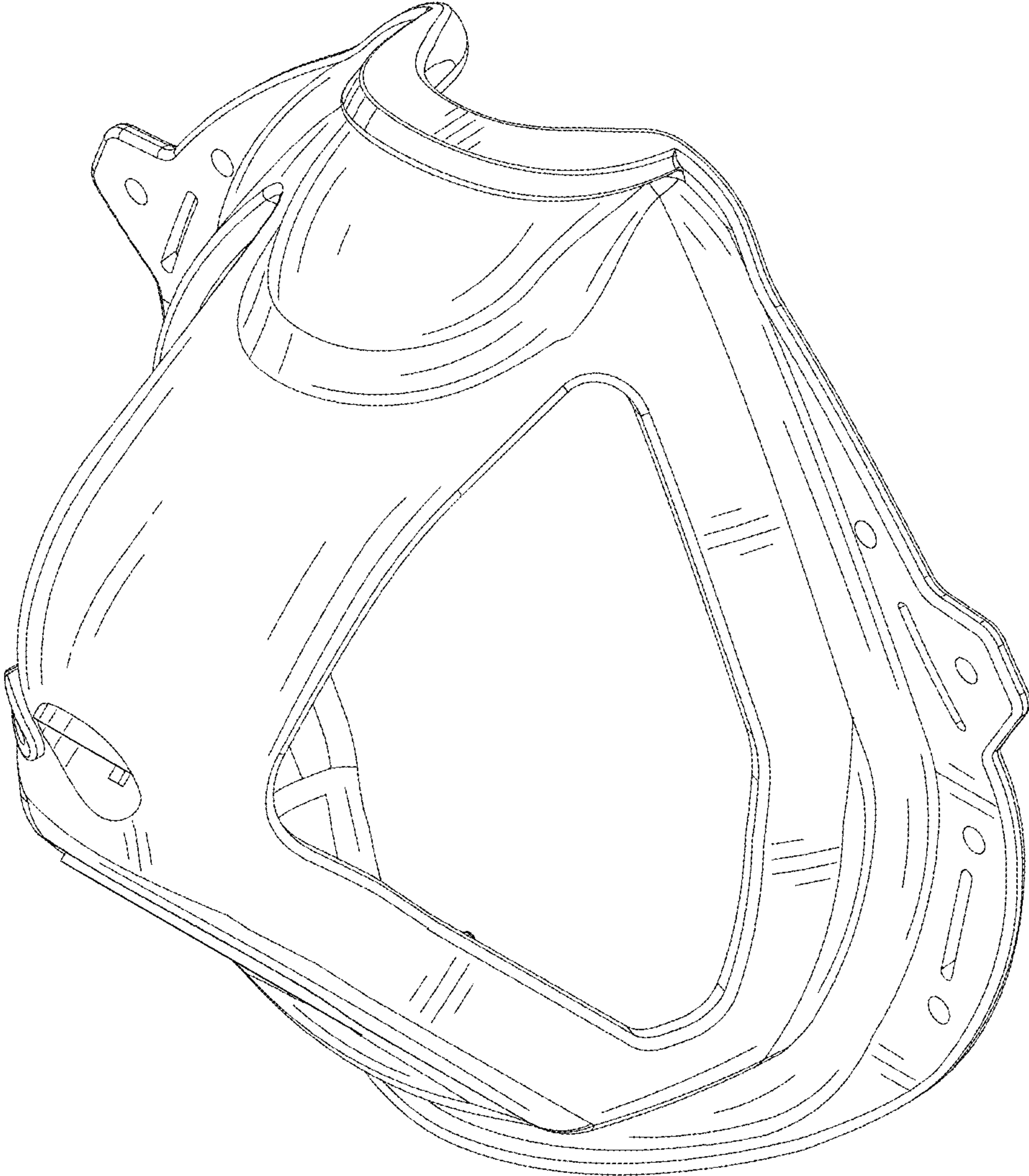


FIG. 1



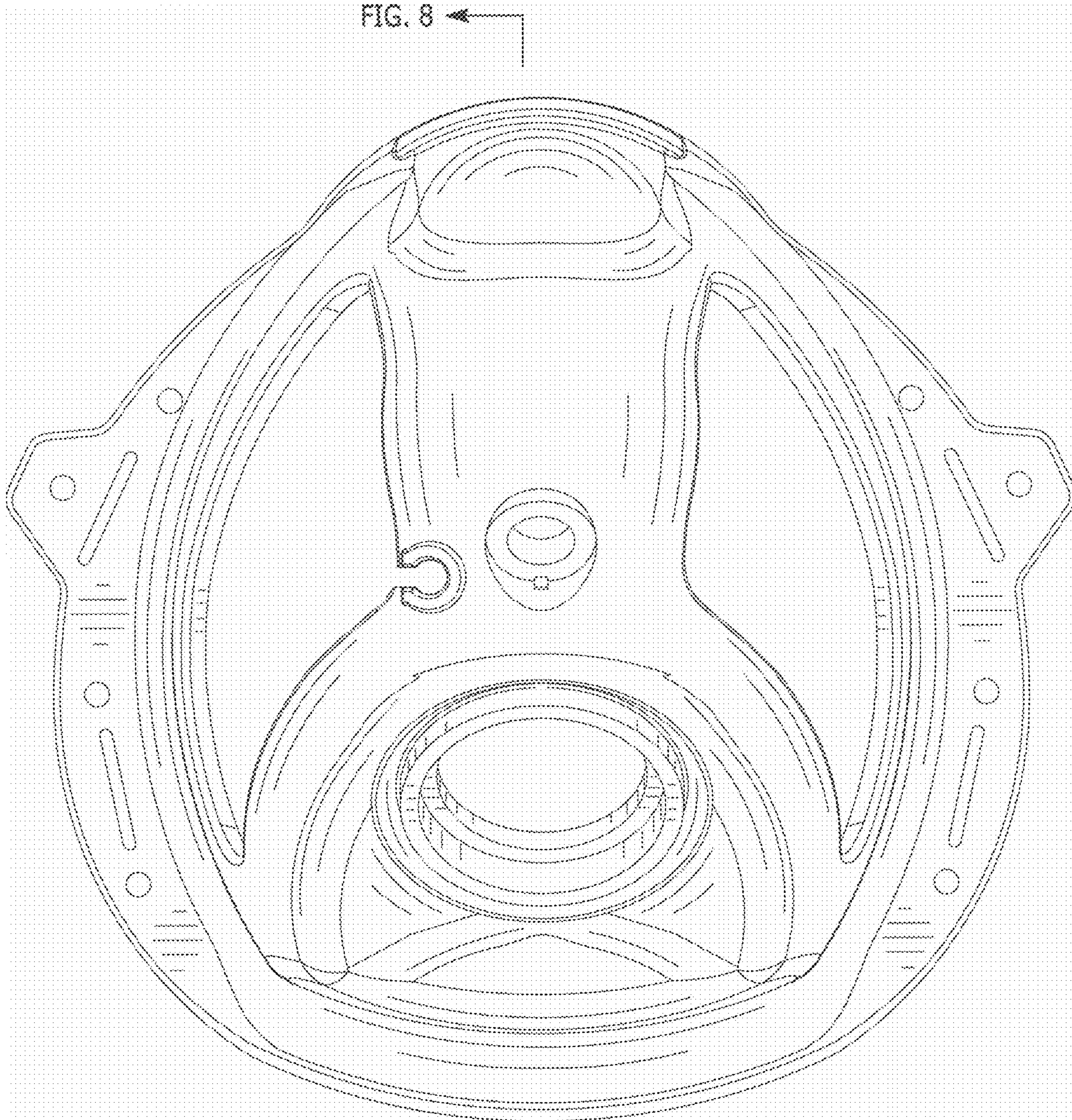


FIG. 2

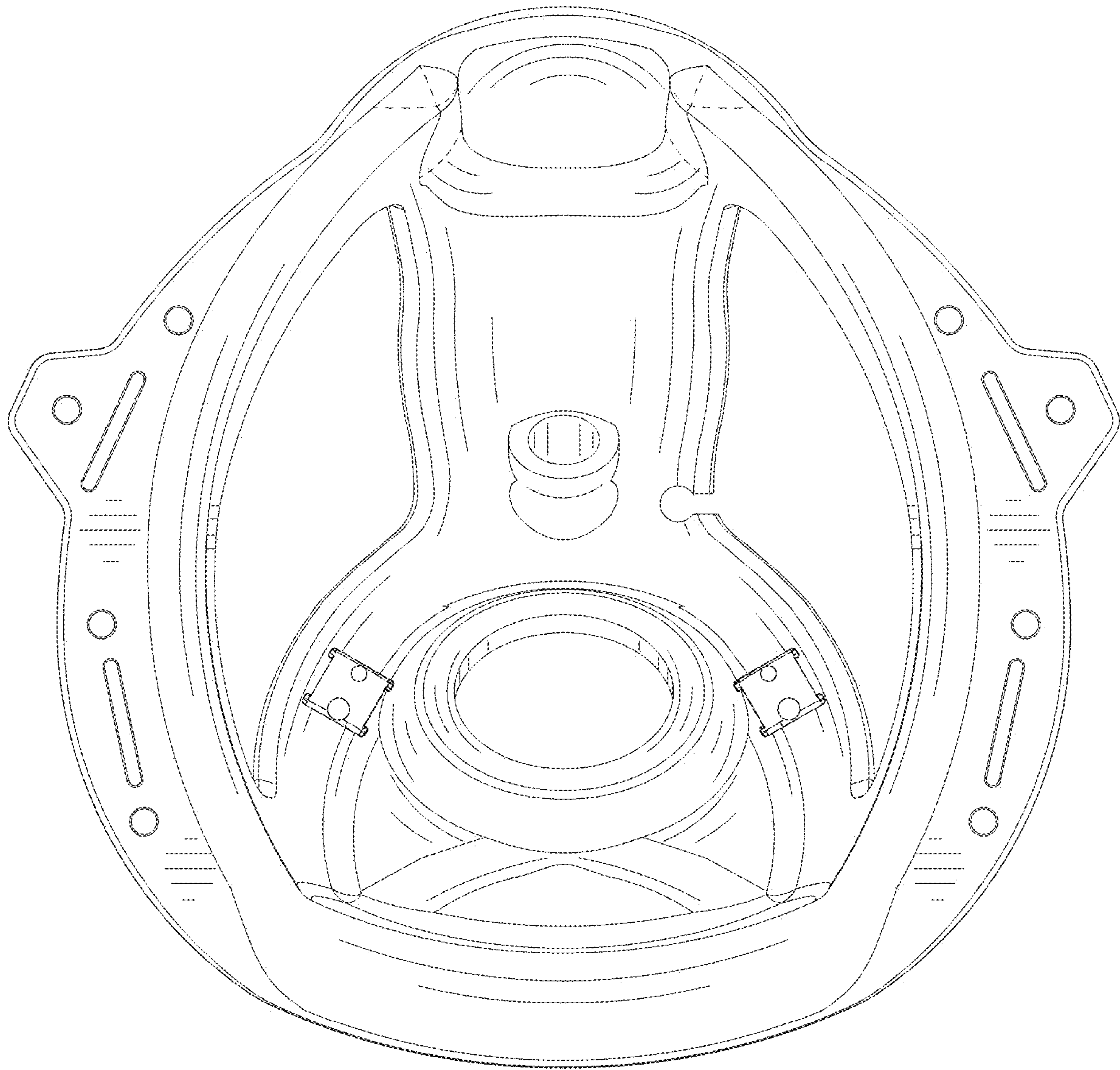


FIG. 3

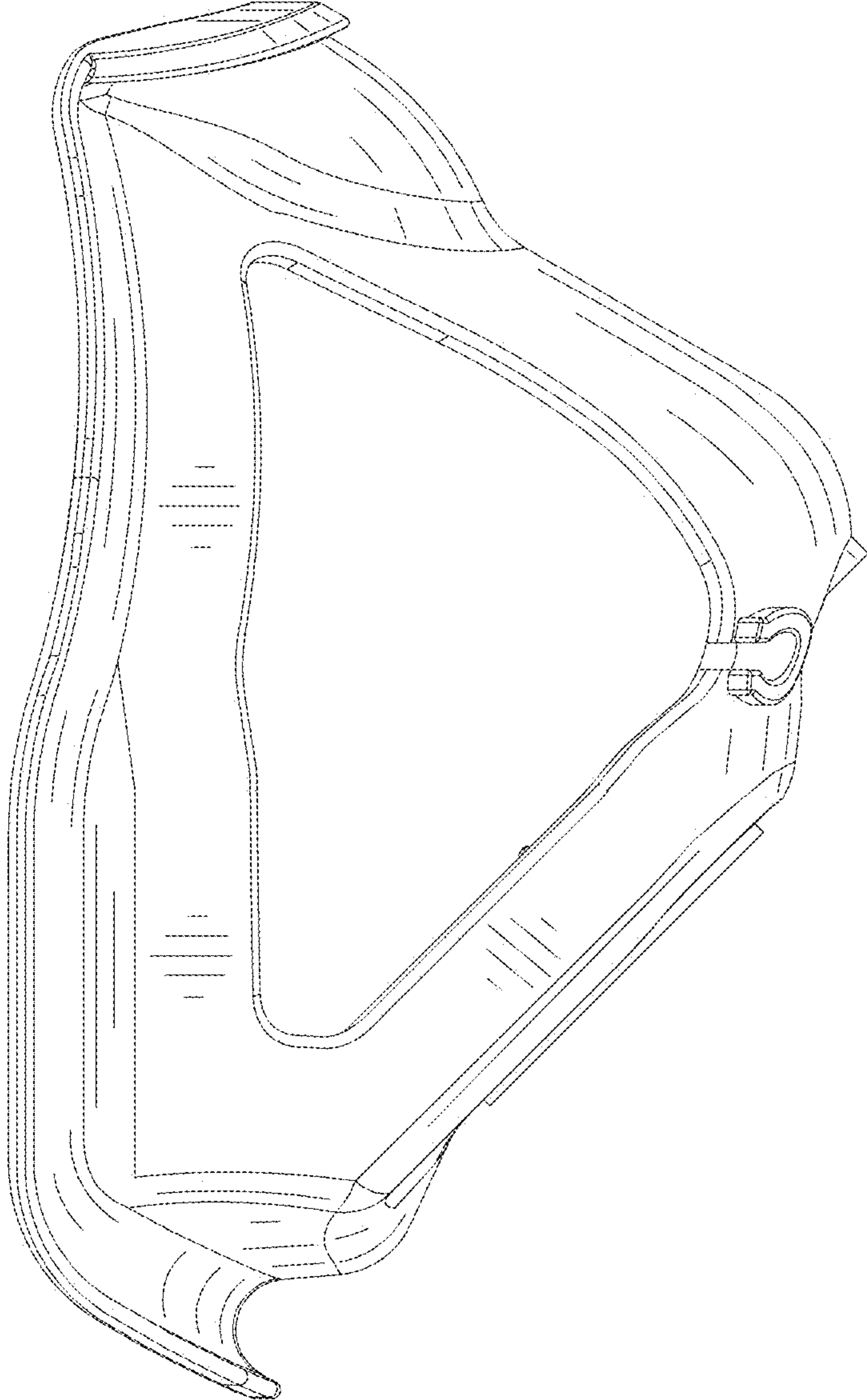


FIG. 4



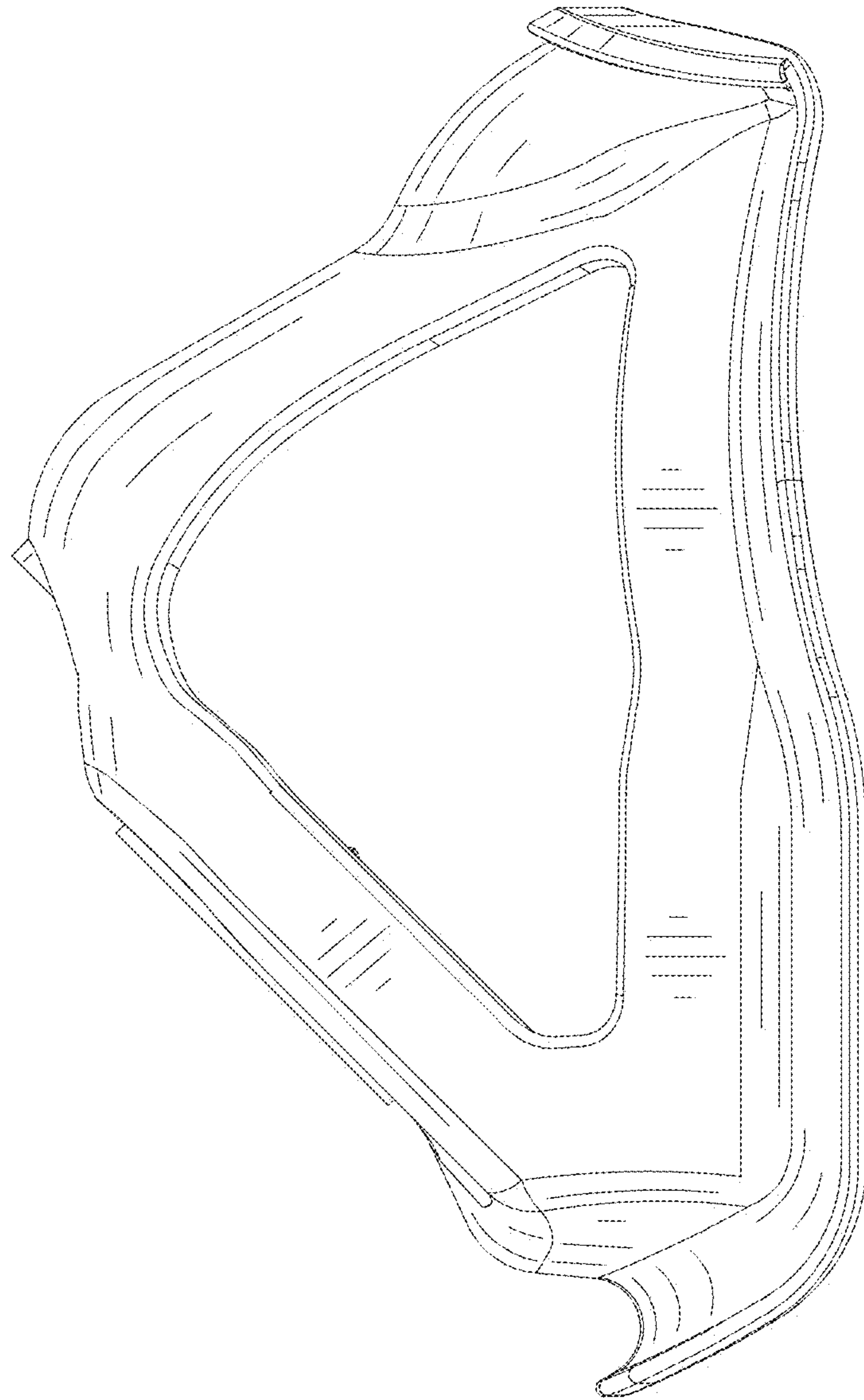


FIG. 5

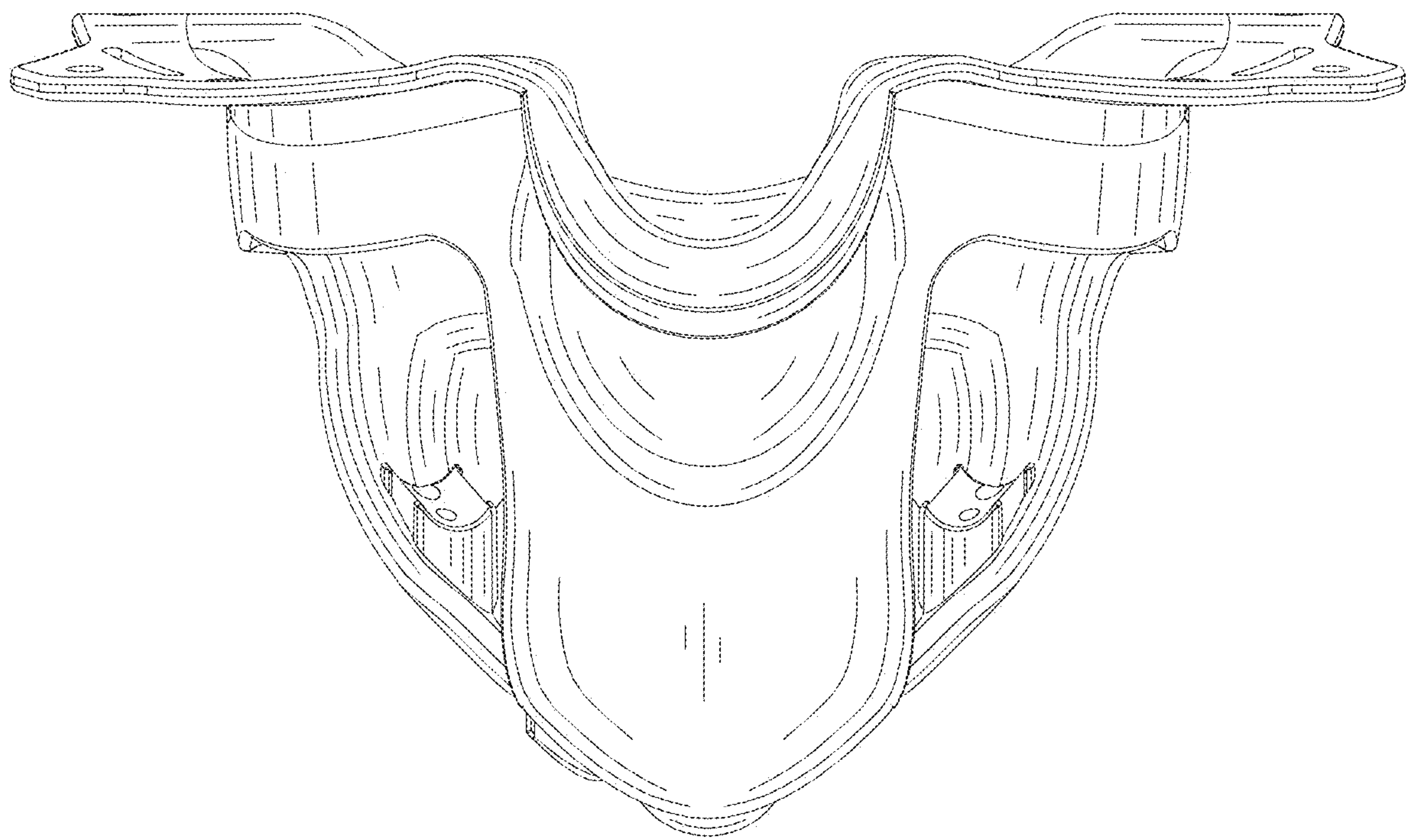


FIG. 6



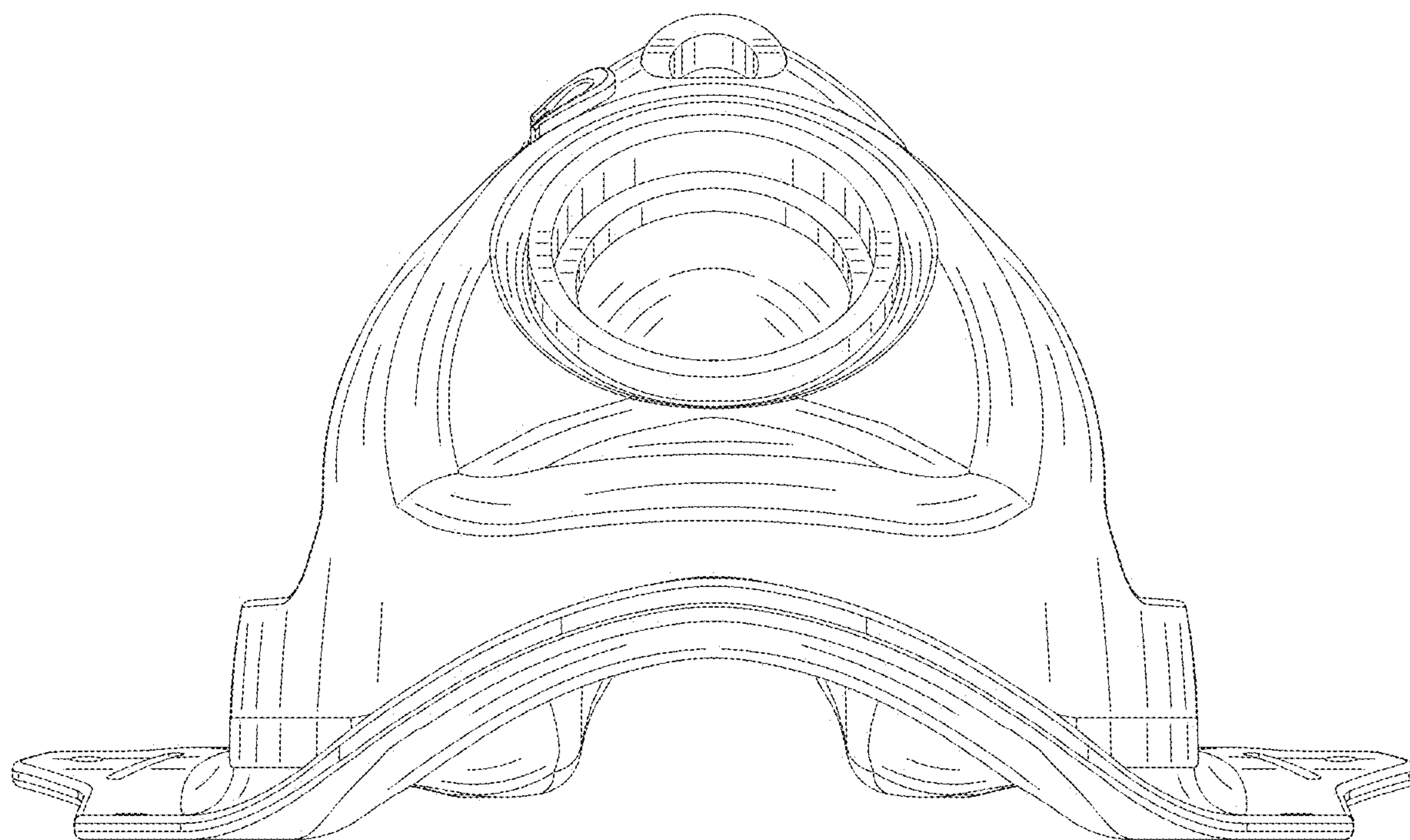


FIG. 7

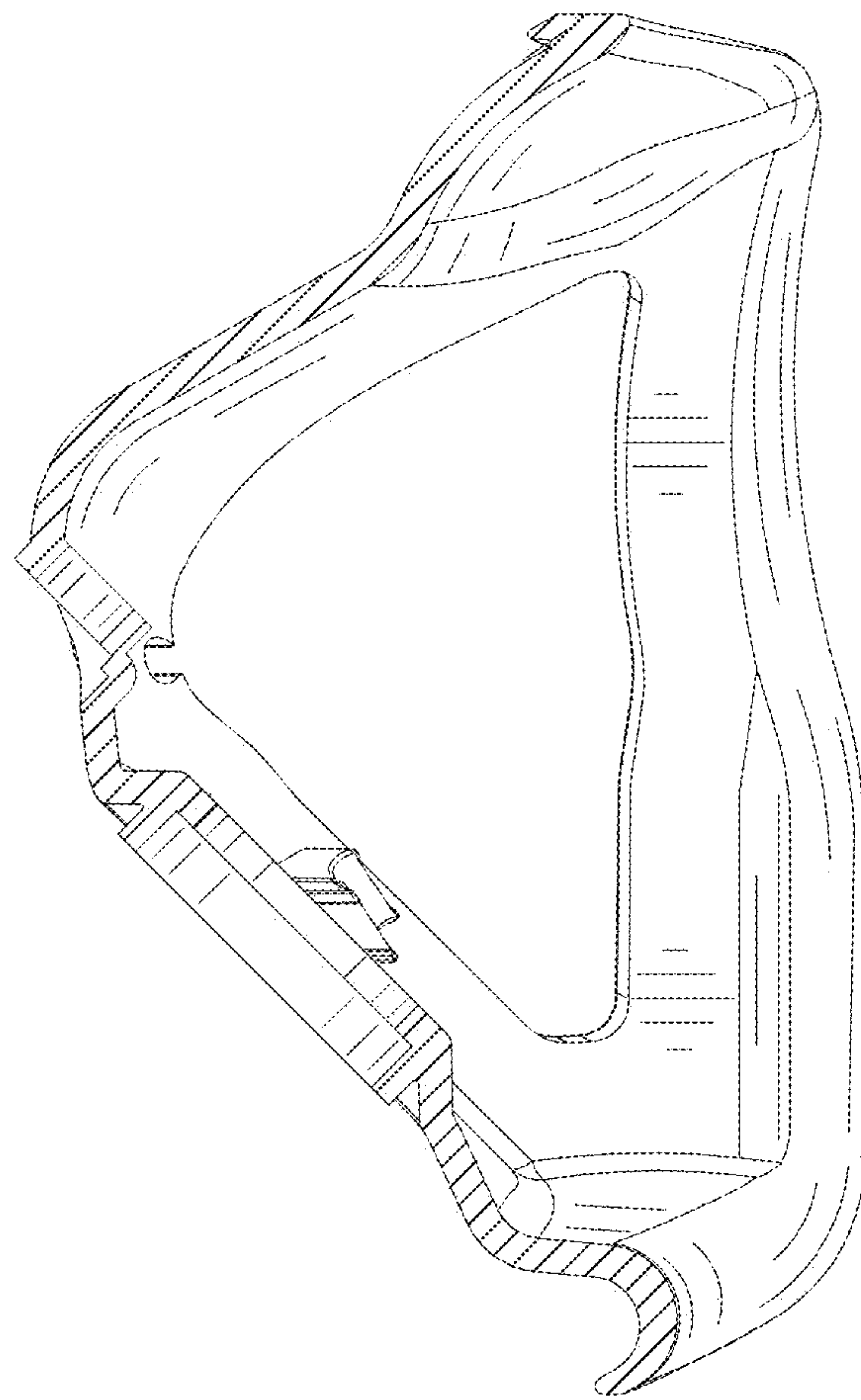


FIG. 8