



US00D901671S

(12) **United States Design Patent** (10) **Patent No.:** **US D901,671 S**
Thau et al. (45) **Date of Patent:** **** Nov. 10, 2020**

(54) **INHALER**
(71) Applicant: **RPC Formatec GmbH**, Mellrichstadt (DE)
(72) Inventors: **Markus Thau**, Mellrichstadt (DE); **Axel Lenninghausen**, Wuppertal (DE)

D311,443 S 10/1990 Long et al.
D326,517 S 5/1992 Funai et al.
D348,929 S 7/1994 Paton
D352,959 S 11/1994 Wolff
D370,726 S 6/1996 Padfield
(Continued)

(73) Assignee: **RPC Formatec GmbH**, Mellrichstadt (DE)

FOREIGN PATENT DOCUMENTS

DE 10 2008 030 443 A1 12/2009
EM 000166137-0001 9/2004

(**) Term: **15 Years**

(Continued)

(21) Appl. No.: **29/673,131**

Primary Examiner — Sheryl Lane
Assistant Examiner — Aula Soroush

(22) Filed: **Dec. 12, 2018**

(74) *Attorney, Agent, or Firm* — Collard & Roe, P.C.

(30) **Foreign Application Priority Data**

(57) **CLAIM**

Nov. 28, 2018 (EM) 005837564

The ornamental design for an inhaler, as shown and described.

(51) **LOC (12) Cl.** **29-02**

DESCRIPTION

(52) **U.S. Cl.**
USPC **D24/110**

(58) **Field of Classification Search**
USPC D24/107, 108, 110, 110.1–110.5, 127, D24/164; D29/108
CPC A61M 15/0085; A61M 15/0005; A61M 11/005; A61M 11/00; A61M 11/02; A61M 11/04; A61M 5/087; A61M 5/0871; A61M 5/091; A61M 5/097; A61M 15/00; A61M 15/0065; A61M 15/0091; A61M 15/0021; A61M 15/0026; A61M 15/008; A61M 15/007; A63B 23/18

FIG. 1 is a front, top and left side perspective view of an inhaler, showing our new design;
FIG. 2 is a front view thereof;
FIG. 3 is a left side view thereof;
FIG. 4 is a rear view thereof;
FIG. 5 is a right side view thereof;
FIG. 6 is a top view thereof;
FIG. 7 is a bottom view thereof;
FIG. 8 is a front, top and left side perspective view of an alternative embodiment of an inhaler, showing our new design;
FIG. 9 is a front view thereof;
FIG. 10 is a left side view thereof;
FIG. 11 is a rear view thereof;
FIG. 12 is a right side view thereof;
FIG. 13 is a top view thereof; and,
FIG. 14 is a bottom view thereof.

See application file for complete search history.

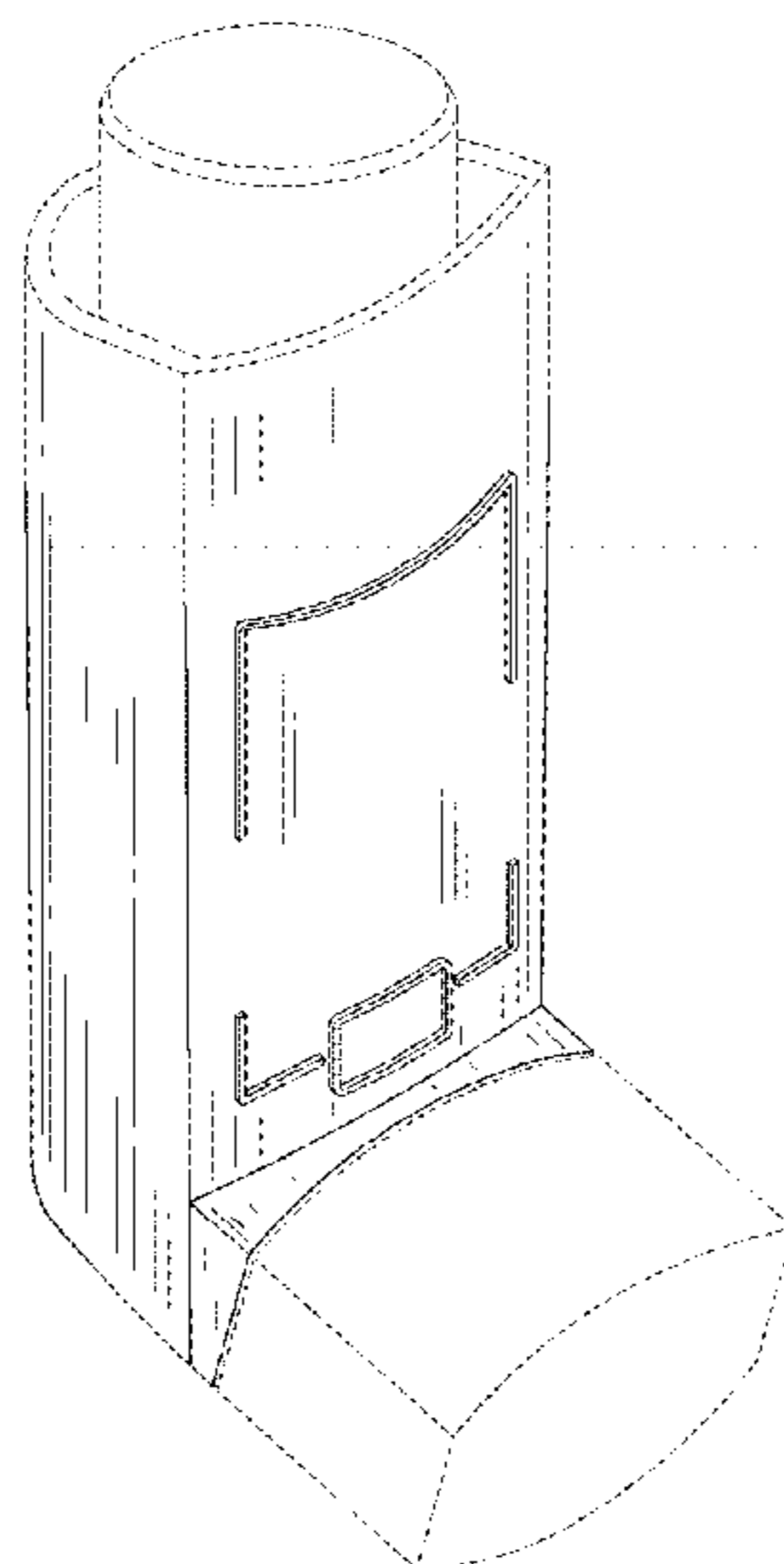
The features shown in broken lines depict portions of the inhaler that form no part of the claimed design.

(56) **References Cited**

U.S. PATENT DOCUMENTS

D206,979 S 2/1967 Jaffe
D207,143 S * 3/1967 Goodwin D24/110
4,576,157 A 3/1986 Raghuprasad
D291,829 S * 9/1987 Torongo D24/110

1 Claim, 14 Drawing Sheets



(56)

References Cited

FOREIGN PATENT DOCUMENTS

U.S. PATENT DOCUMENTS

5,544,647 A 8/1996 Jewett et al.
 D395,147 S 6/1998 Vidgren et al.
 D416,998 S * 11/1999 Hodson D24/110
 D433,502 S 11/2000 Rand
 D461,239 S 8/2002 Cassidy
 D475,133 S 5/2003 McLuckie
 6,752,153 B1 6/2004 Eckert
 D529,605 S 10/2006 Huxham et al.
 D556,896 S * 12/2007 Logan D24/110
 D571,001 S 6/2008 Warby et al.
 7,448,342 B2 11/2008 Von Schuckmann
 D610,249 S * 2/2010 Robinson D24/110
 7,827,984 B2 11/2010 Von Schuckmann
 D629,504 S * 12/2010 Zuyderhoudt D24/110
 D629,507 S * 12/2010 Zuyderhoudt D24/110.5
 D629,508 S * 12/2010 Zuyderhoudt D24/110.5
 D629,889 S * 12/2010 Zuyderhoudt D24/110.5
 7,984,710 B2 7/2011 Von Schuckmann
 D657,446 S * 4/2012 Herfort D24/110
 D657,447 S * 4/2012 Herfort D24/110
 D660,411 S 5/2012 Zuyderhoudt
 D681,803 S * 5/2013 Sheehy D24/110
 D681,804 S * 5/2013 Sheehy D24/110
 D772,394 S * 11/2016 Walsh D24/110
 D772,395 S * 11/2016 Walsh D24/110
 D852,947 S * 7/2019 Dethlefs D24/110
 D853,555 S * 7/2019 Oliveras D24/110
 D861,239 S * 9/2019 Chen D27/101
 D863,531 S * 10/2019 Jackson D24/110
 D863,533 S * 10/2019 Jackson D24/110
 D871,567 S * 12/2019 Pieters D24/110
 2010/0083964 A1 4/2010 Brown et al.
 2010/0263665 A1 10/2010 Brown et al.
 2011/0265788 A1 11/2011 Wu

EM 000282801-0001 3/2005
 EM 000282801-0002 3/2005
 EM 000282801-0003 3/2005
 EM 000282801-0004 3/2005
 EM 000282801-0005 3/2005
 EM 000623764-0002 12/2006
 EM 000623764-0003 12/2006
 EM 001137945-0009 10/2010
 EM 001237945-0001 10/2010
 EM 001237945-0002 10/2010
 EM 001237945-0005 10/2010
 EM 001237945-0006 10/2010
 EM 001237945-0007 10/2010
 EM 001237945-0008 10/2010
 EM 001164032-0001 3/2012
 EM 001178859-0001 5/2012
 EM 001179816-0001 5/2012
 EM 001213938-0001 5/2012
 EM 002188136-0001 2/2013
 EM 002188136-0002 2/2013
 EM 002188136-0003 2/2013
 EM 002188136-0004 2/2013
 EM 001247670-0001 6/2013
 EM 001271878-0001 6/2013
 EM 001271894-0001 6/2013
 EM 004060408-0001 7/2017
 EP 1 104 318 B1 6/2001
 GB 1 043 852 7/1987
 GB 2 272 162 A 5/1994
 GB 2 074 173 4/1998
 GB 2 080 728 1/1999
 WO 92/17231 A1 10/1992
 WO 00/69496 A1 11/2000
 WO 01/26021 A1 4/2001
 WO 2006/051006 A1 5/2006
 WO 2014/031853 A1 2/2014

* cited by examiner

FIG. 1

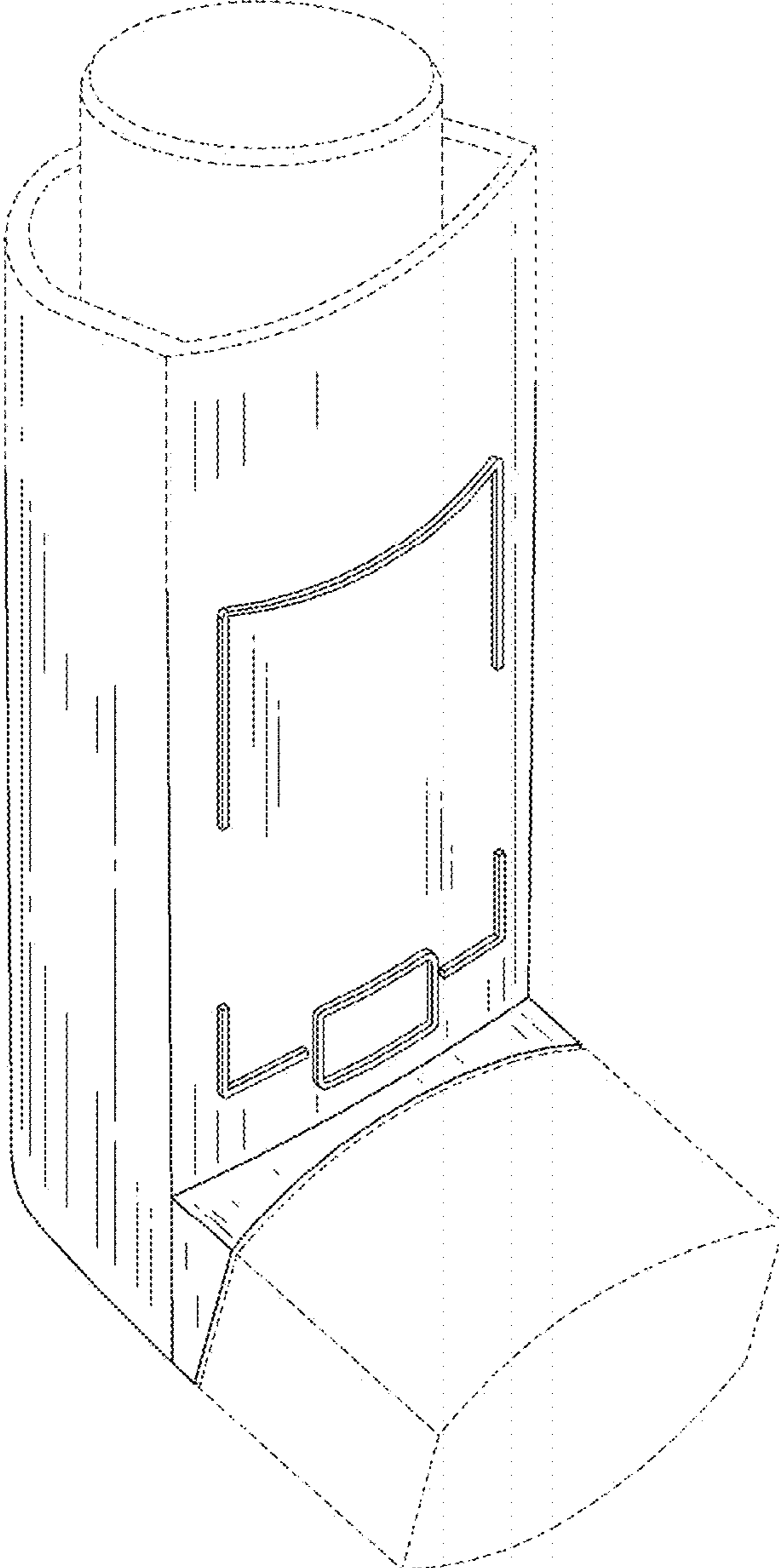


FIG.2

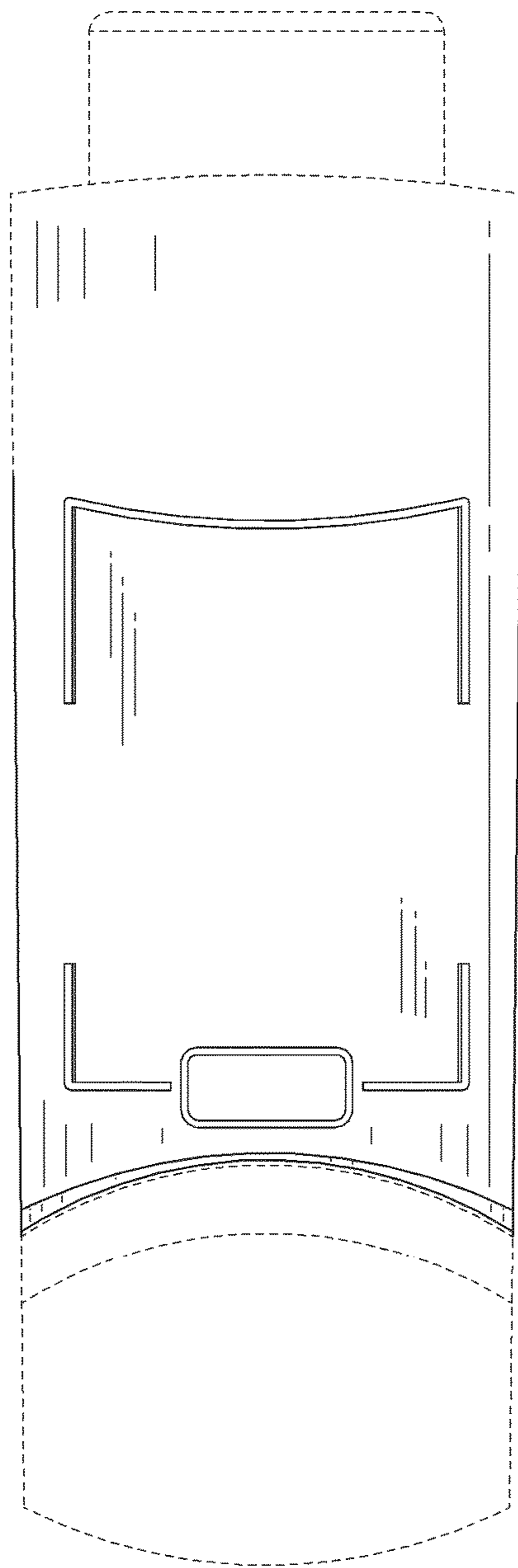


FIG. 3

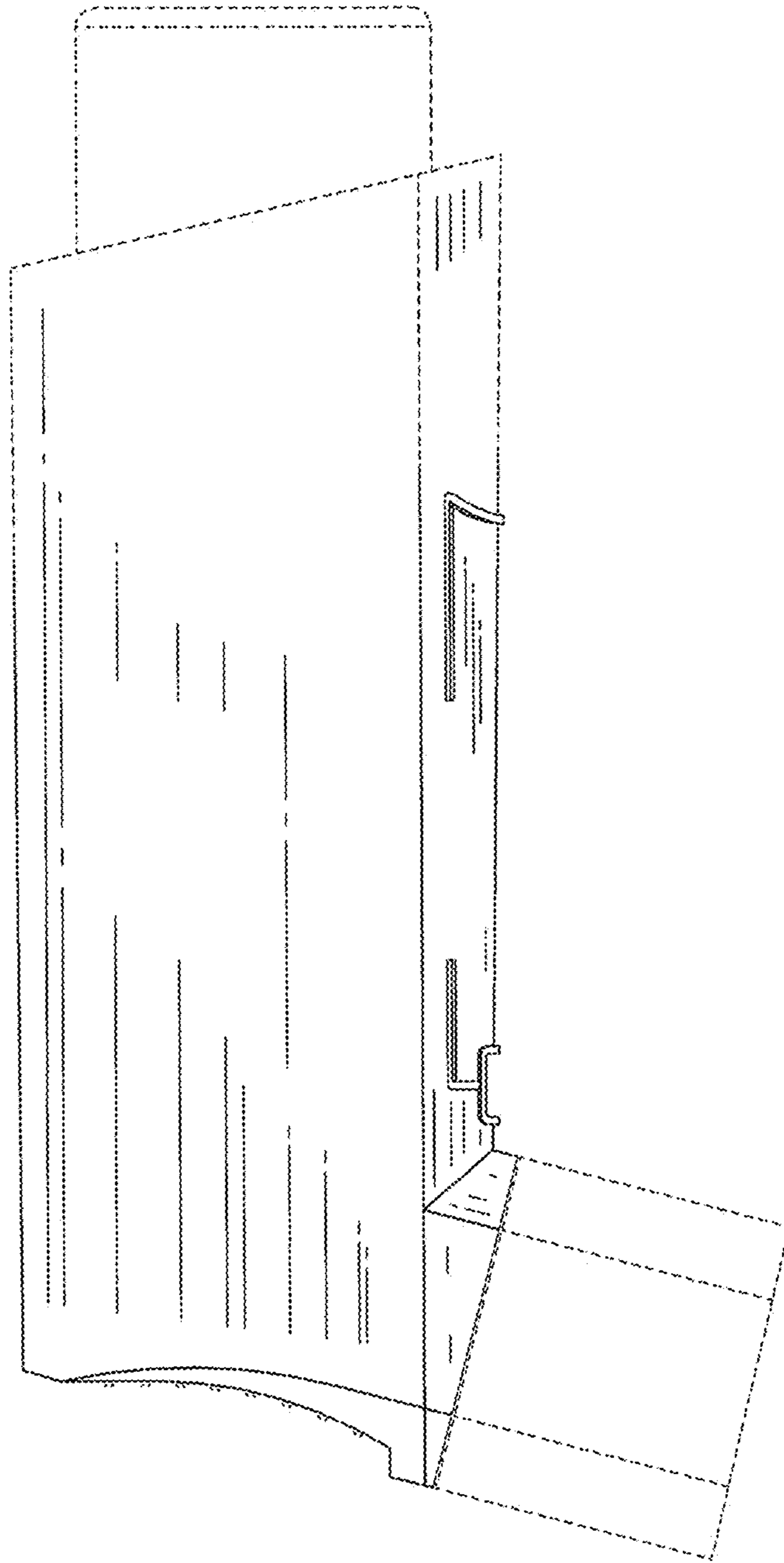


FIG. 4

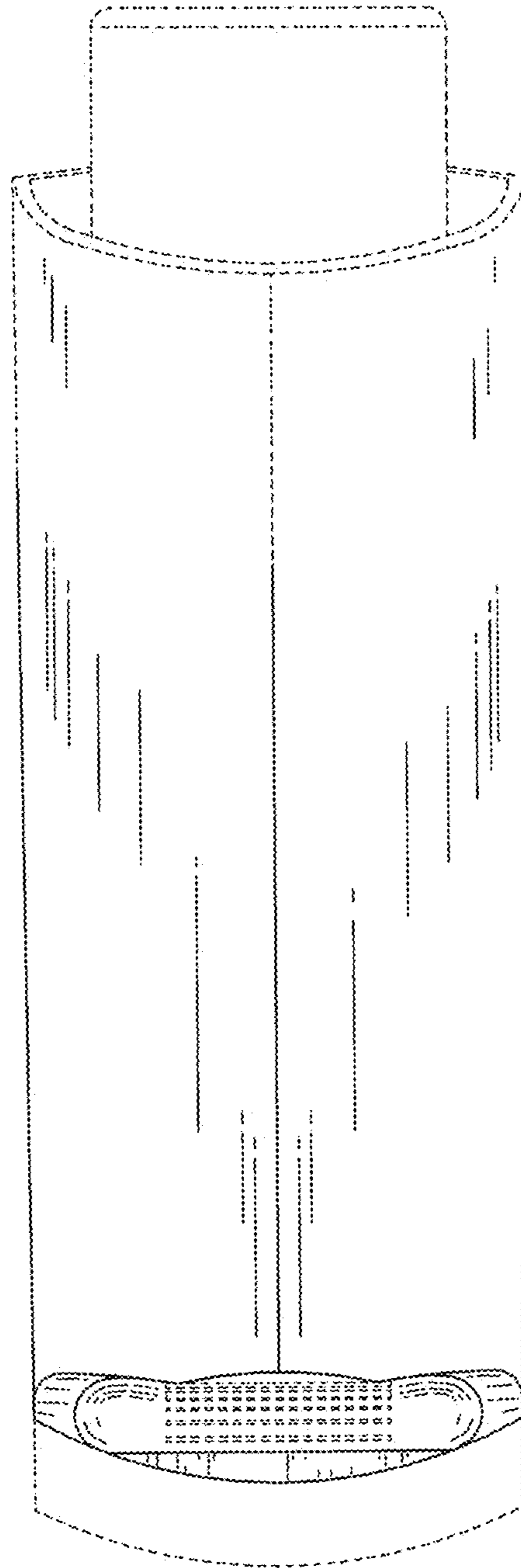


FIG. 5

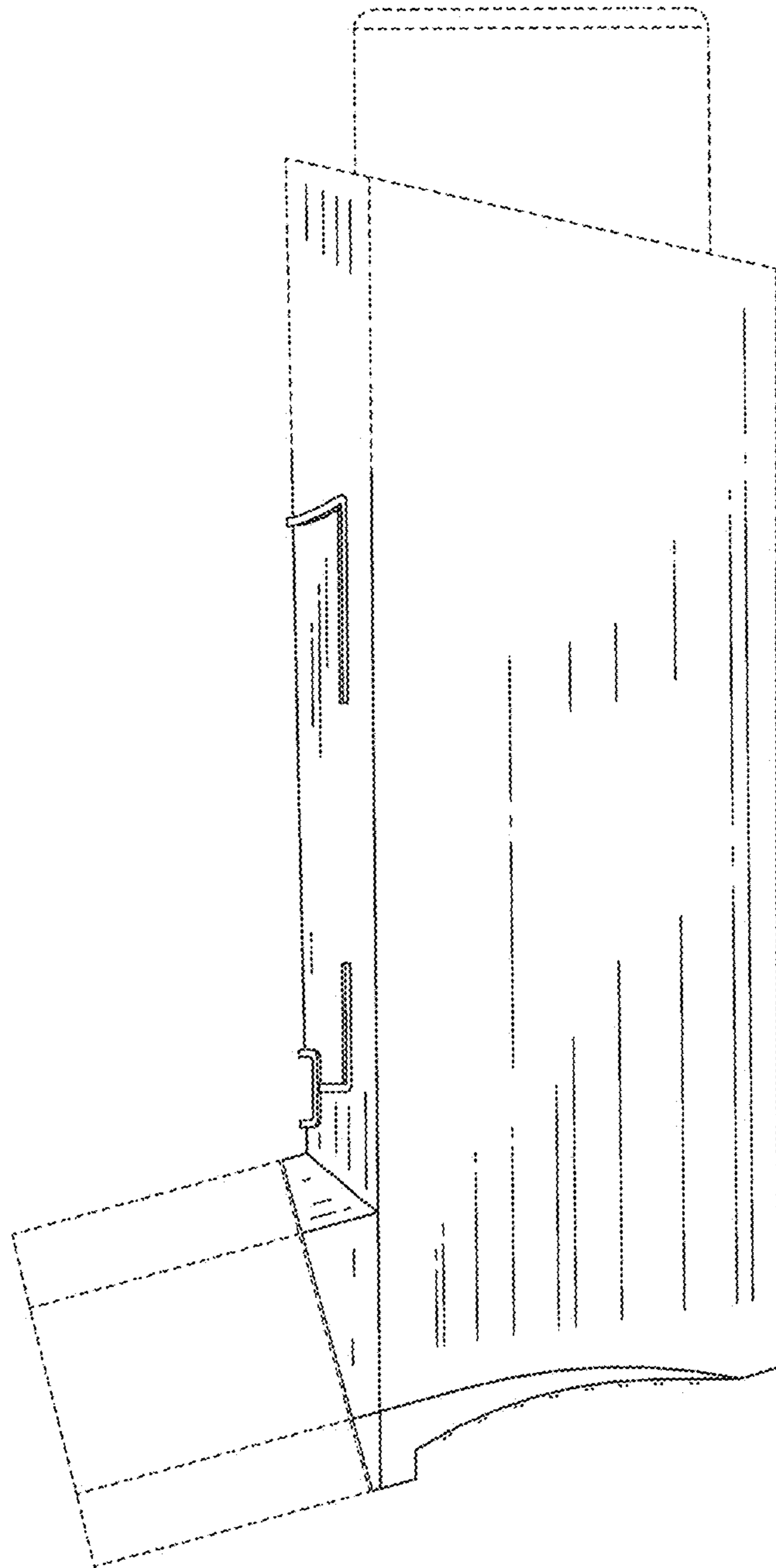


FIG. 6

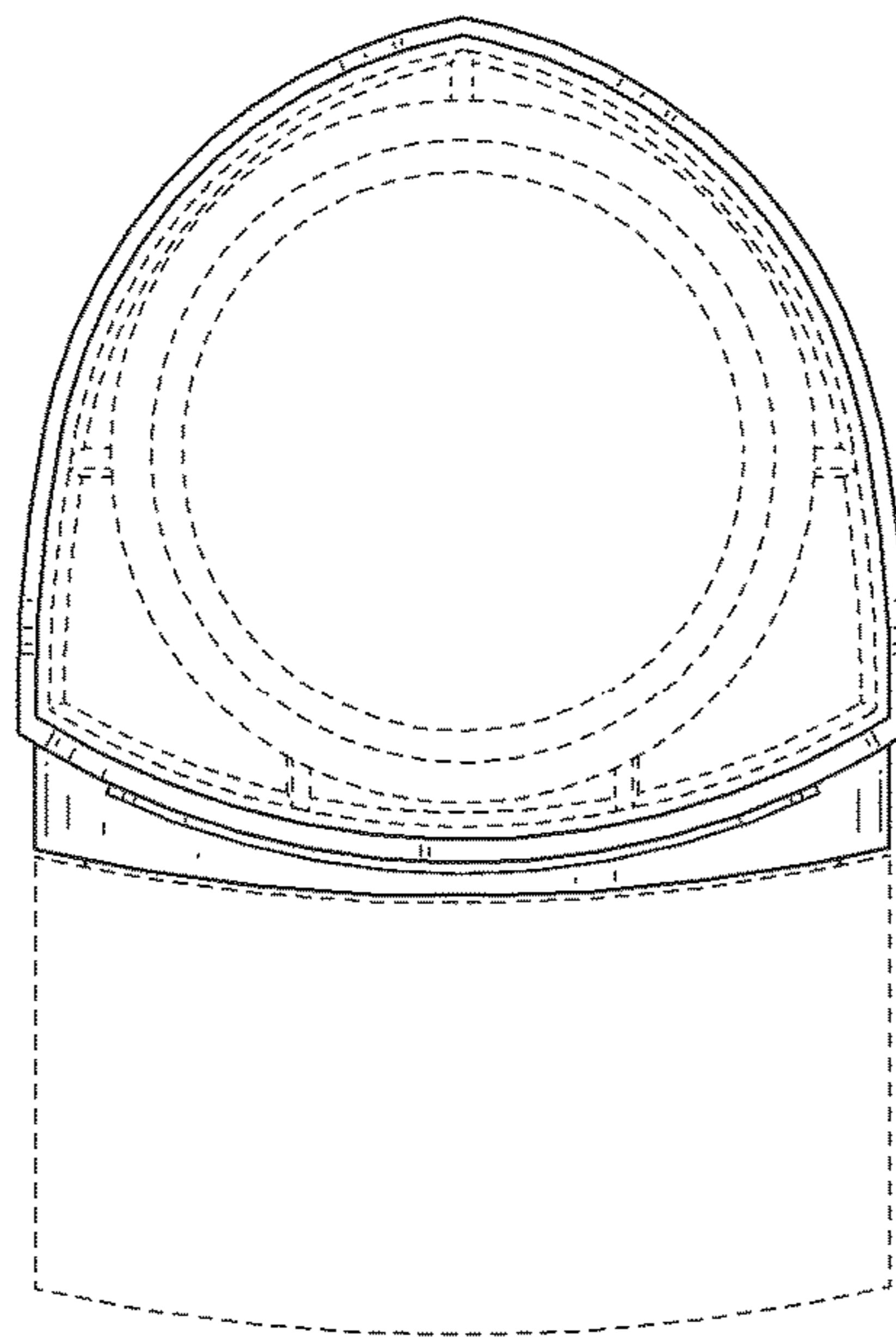


FIG. 7

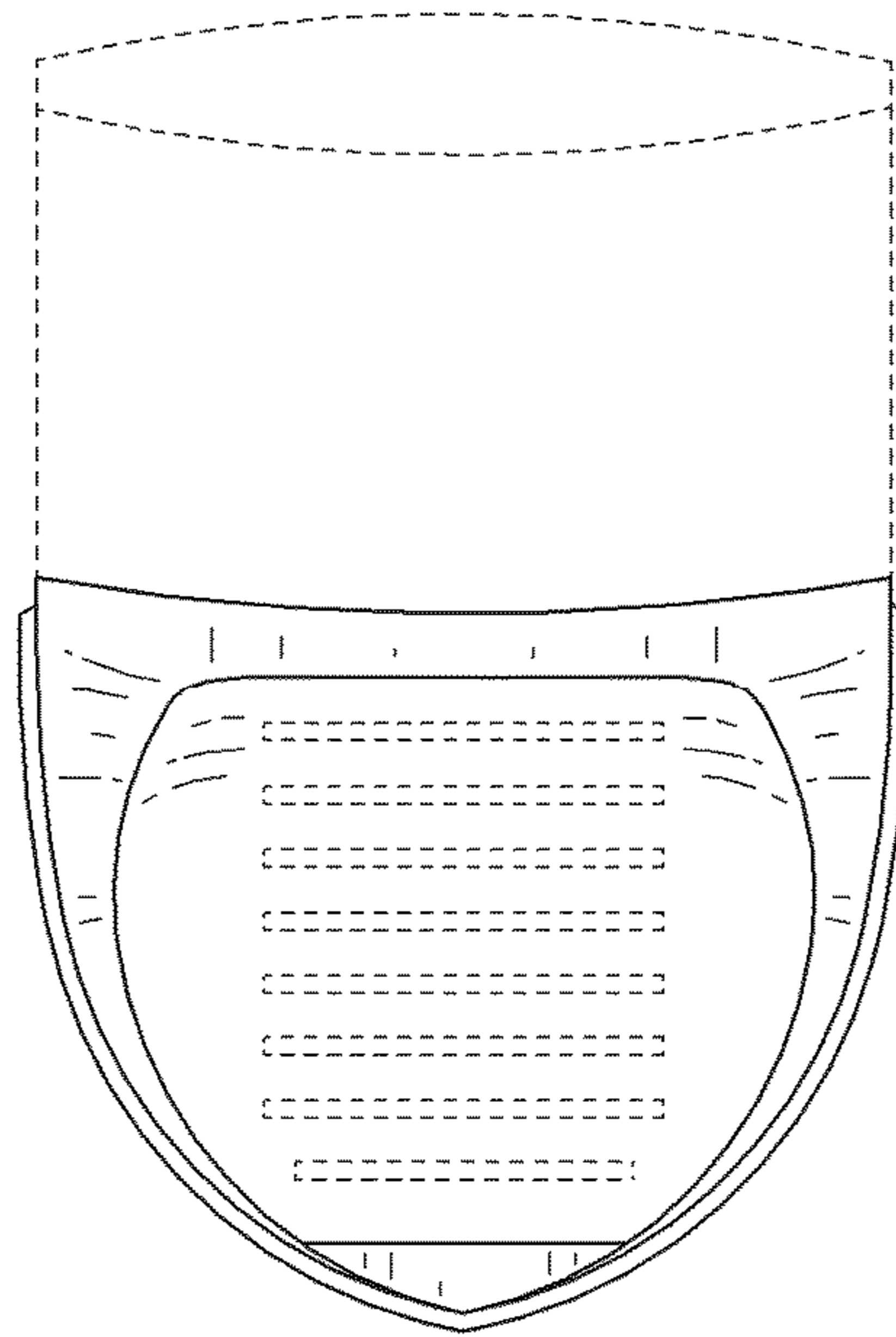


FIG. 8

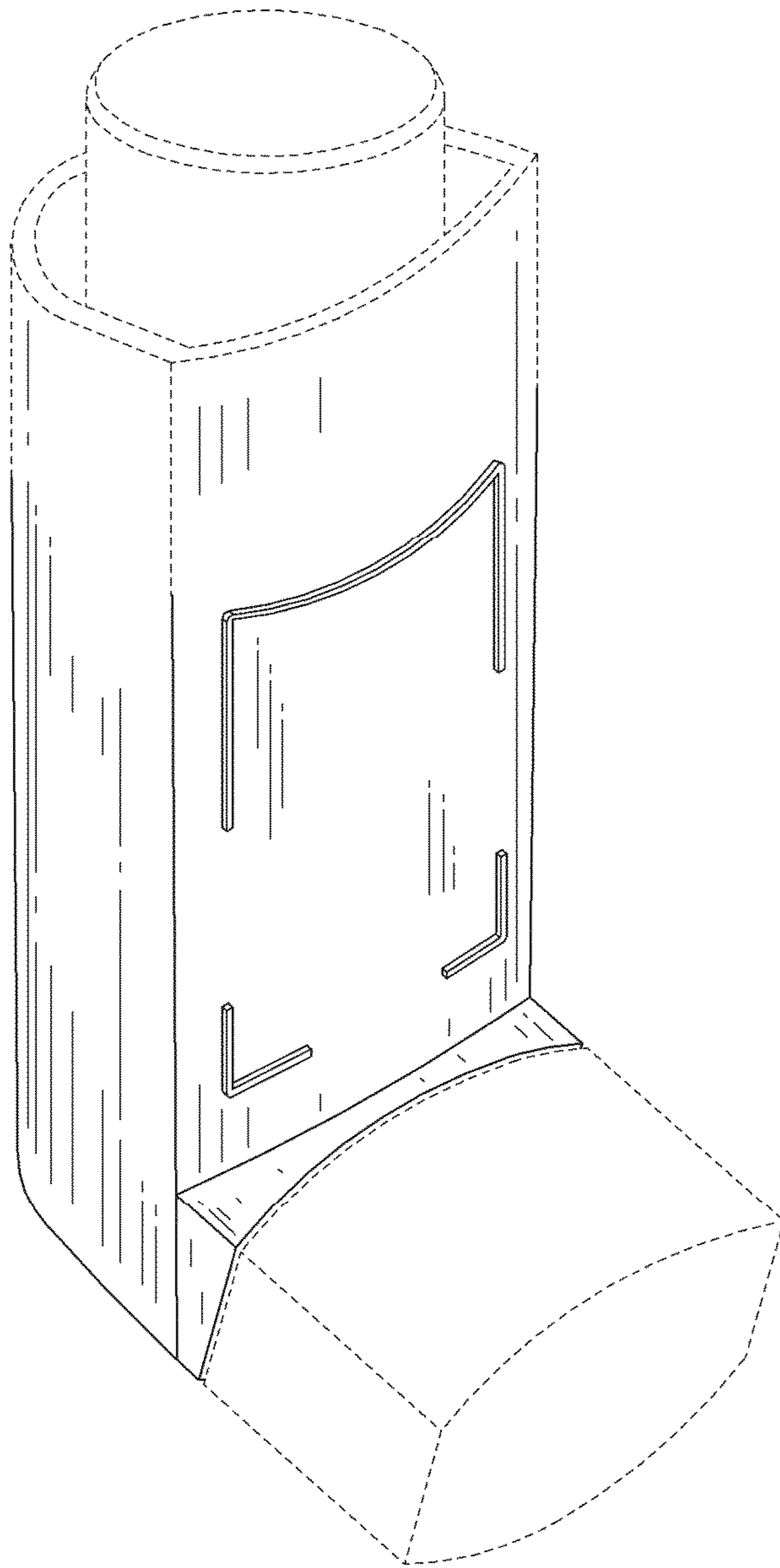


FIG. 9

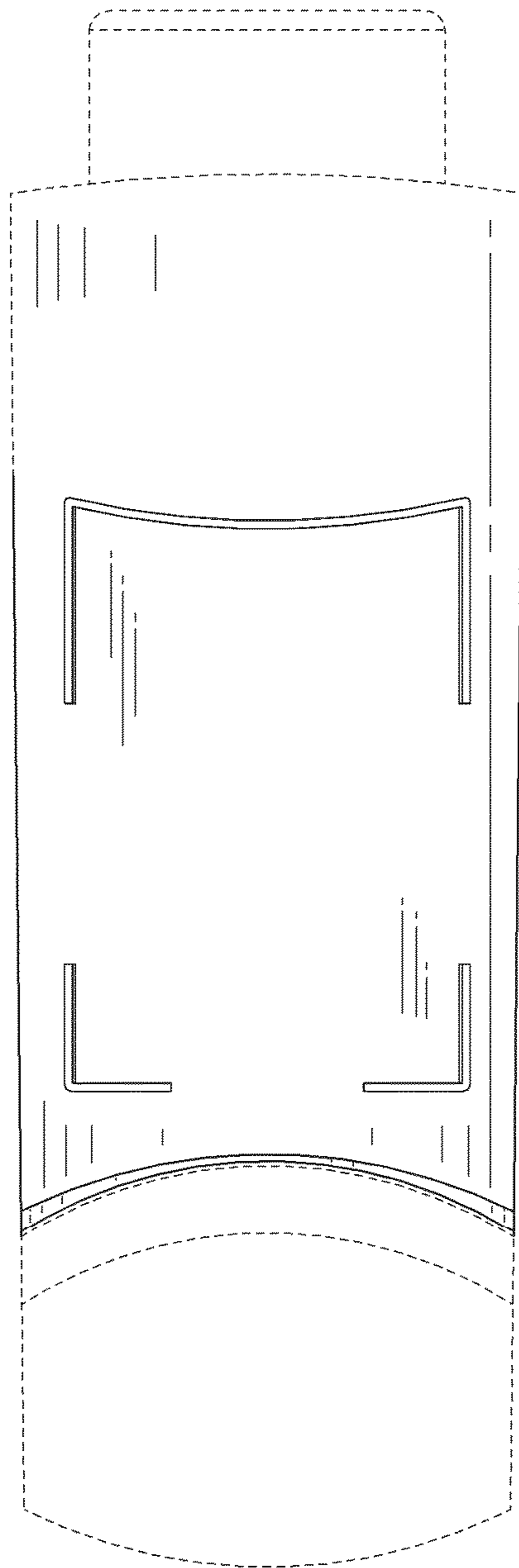


FIG. 10



FIG. 11

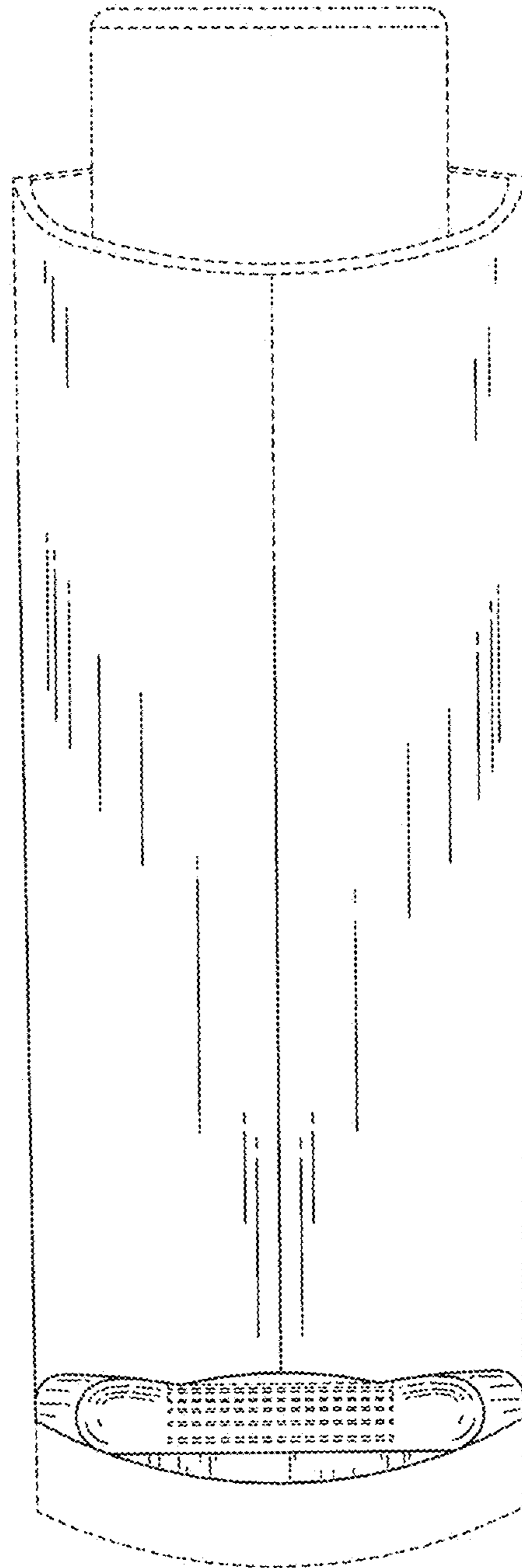


FIG. 12

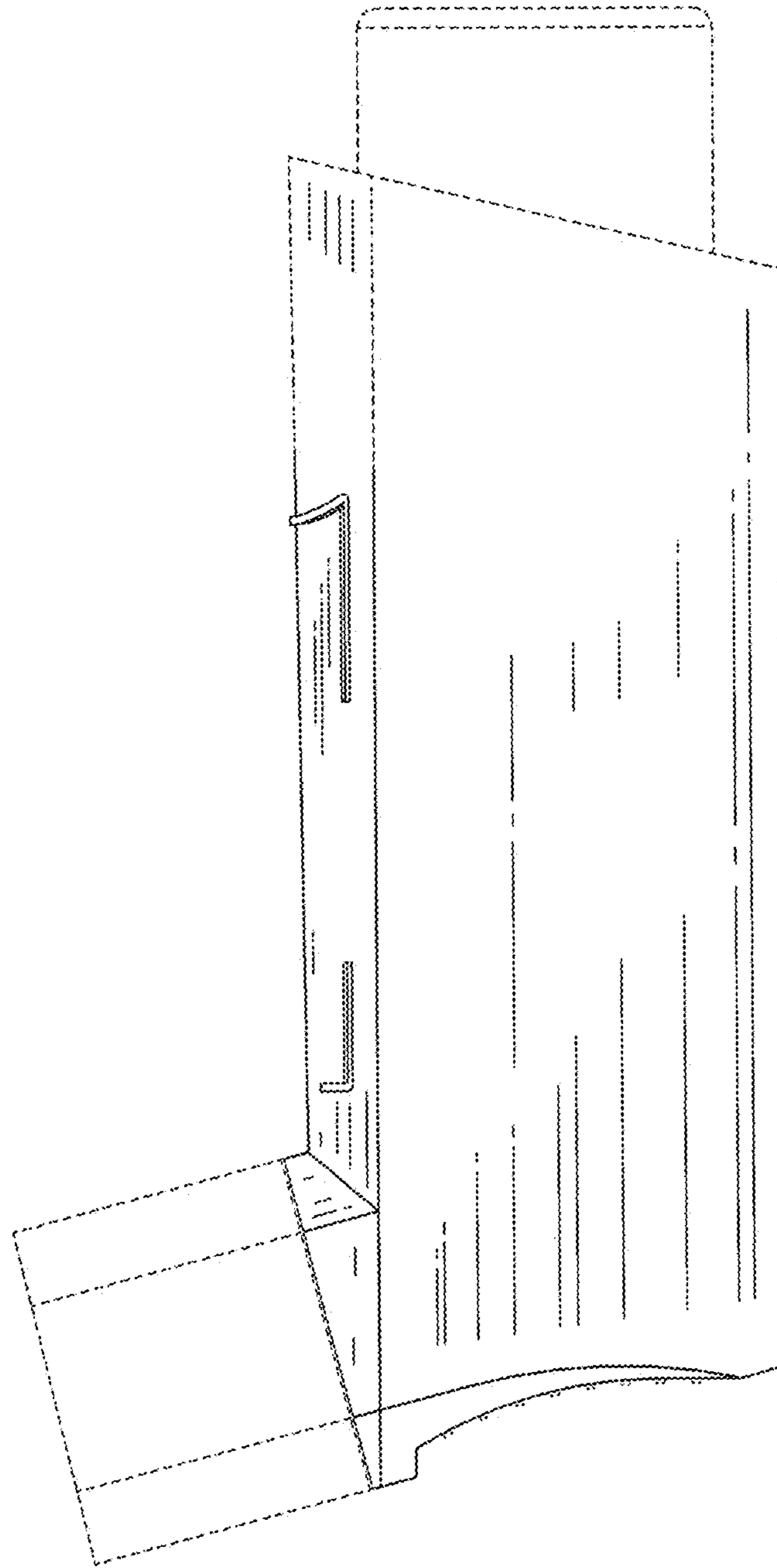


FIG. 13

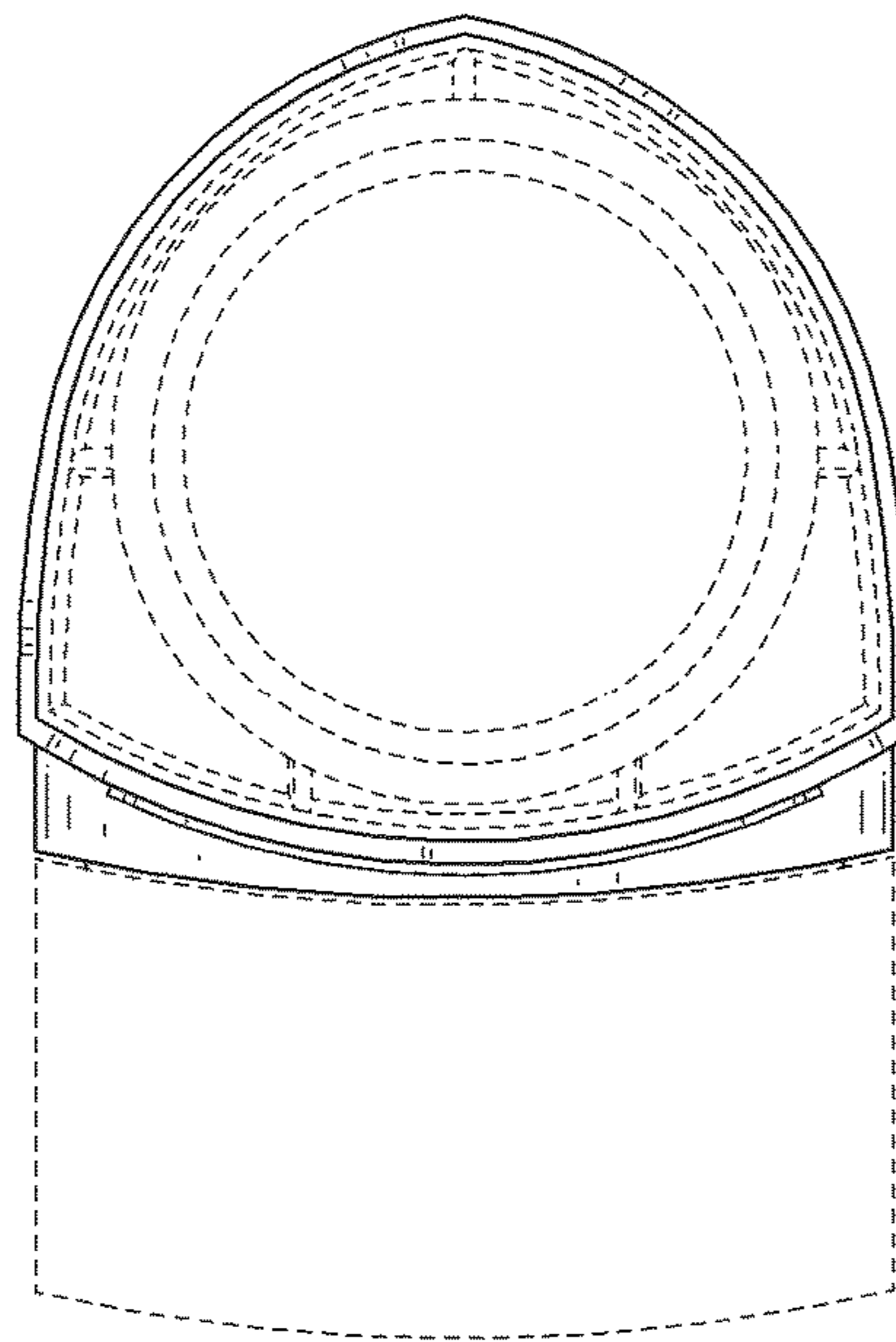


FIG. 14

