



US00D901668S

(12) **United States Design Patent**
Wang

(10) **Patent No.:** **US D901,668 S**

(45) **Date of Patent:** **** Nov. 10, 2020**

- (54) **FAN BLADE BRACKET**
- (71) Applicant: **AIR COOL INDUSTRIAL CO., LTD.**, Taichung (TW)
- (72) Inventor: **Cliff Wang**, Taichung (TW)
- (73) Assignee: **AIR COOL INDUSTRIAL CO., LTD.**, Taichung (TW)
- (**) Term: **15 Years**
- (21) Appl. No.: **29/673,249**
- (22) Filed: **Dec. 13, 2018**
- (51) **LOC (12) Cl.** **23-04**
- (52) **U.S. Cl.**
USPC **D23/411**
- (58) **Field of Classification Search**
USPC D23/411, 370, 314, 358, 363, 386, 499,
D23/377, 379; D8/349, 354, 363, 373,
D8/376, 380, 382, 383; D26/59
CPC F04D 25/08; F04D 25/088; F04D 29/322;
F04D 29/34; F04D 29/38; F04D 29/64;
F04D 29/646
See application file for complete search history.

- (56) **References Cited**
U.S. PATENT DOCUMENTS
- | | | | | |
|--------------|---------|------------|-------|---------|
| D328,951 S * | 8/1992 | Scofield | | D23/411 |
| D378,312 S * | 3/1997 | Davis, Jr. | | D23/377 |
| D388,165 S * | 12/1997 | Johnson | | D23/385 |
| D408,521 S * | 4/1999 | Zuege | | D23/377 |
| D456,891 S * | 5/2002 | Hsieh | | D23/411 |
| D487,506 S * | 3/2004 | Burns | | D23/411 |
| D489,127 S * | 4/2004 | Young | | D23/411 |
| D505,719 S * | 5/2005 | Hidalgo | | D23/411 |
| D540,460 S * | 4/2007 | Pickett | | D23/411 |
| D573,245 S * | 7/2008 | Pan | | D23/411 |
| D581,515 S * | 11/2008 | Pickett | | D23/411 |
| D594,550 S * | 6/2009 | Pan | | D23/411 |

- | | | | | |
|----------------|---------|-----------|-------|-----------------------|
| D626,210 S * | 10/2010 | Searle | | D23/411 |
| D627,870 S * | 11/2010 | Wang | | D23/411 |
| D637,060 S * | 5/2011 | Mitchell | | D8/323 |
| D645,725 S * | 9/2011 | Katz | | D8/323 |
| 8,021,119 B2 * | 9/2011 | Wang | | F04D 29/34
416/206 |
| D710,492 S * | 8/2014 | Byrne | | D23/411 |
| D710,986 S * | 8/2014 | Wang | | D23/411 |
| D710,988 S * | 8/2014 | Pan | | D23/411 |
| D745,132 S * | 12/2015 | Shurtleff | | D23/411 |
| D745,656 S * | 12/2015 | Wang | | D23/411 |
| D745,960 S * | 12/2015 | Pickett | | D23/411 |
| D780,905 S * | 3/2017 | Schulzman | | D23/411 |
| D787,038 S * | 5/2017 | Badarello | | D23/411 |
| D787,040 S * | 5/2017 | Badarello | | D23/411 |
| D804,636 S * | 12/2017 | Guthrie | | D23/377 |
| D828,913 S * | 9/2018 | Holmes | | D23/411 |
| D877,318 S * | 3/2020 | Holmes | | D23/411 |

(Continued)

Primary Examiner — Marie D. Fast Horse
(74) *Attorney, Agent, or Firm* — Pai Patent & Trademark Law Firm; Chao-Chang David Pai

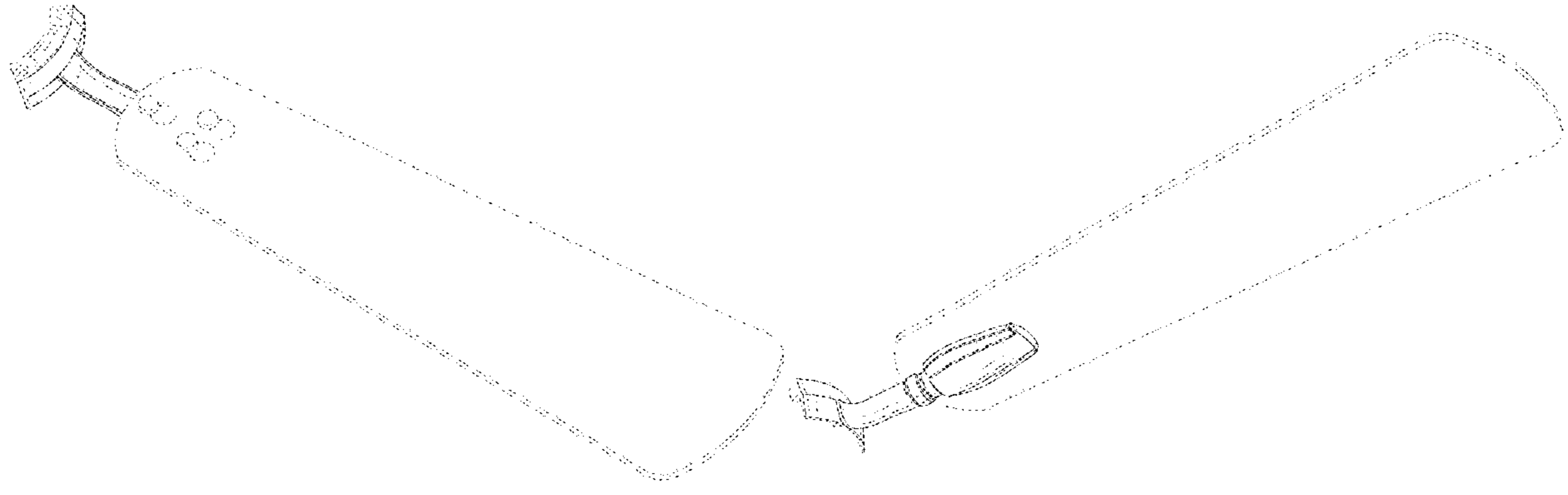
(57) **CLAIM**

The ornamental design for a fan blade bracket, as shown and described.

DESCRIPTION

FIG. 1 is a front top perspective view of a fan blade bracket showing my new design;
FIG. 2 is a front elevational view thereof;
FIG. 3 is a rear elevational view thereof;
FIG. 4 is a left side elevational view thereof;
FIG. 5 is a right side elevational view thereof;
FIG. 6 is a top plan view thereof;
FIG. 7 is a bottom plan view thereof; and,
FIG. 8 is a front bottom perspective view thereof.
The broken lines showing the fan blade depict environment only and form no part of the claim while all other broken lines.

1 Claim, 6 Drawing Sheets



(56)

References Cited

U.S. PATENT DOCUMENTS

2006/0120064 A1* 6/2006 McElhannon G02B 6/001
362/96
2010/0284820 A1* 11/2010 Wang F04D 29/34
416/244 R

* cited by examiner

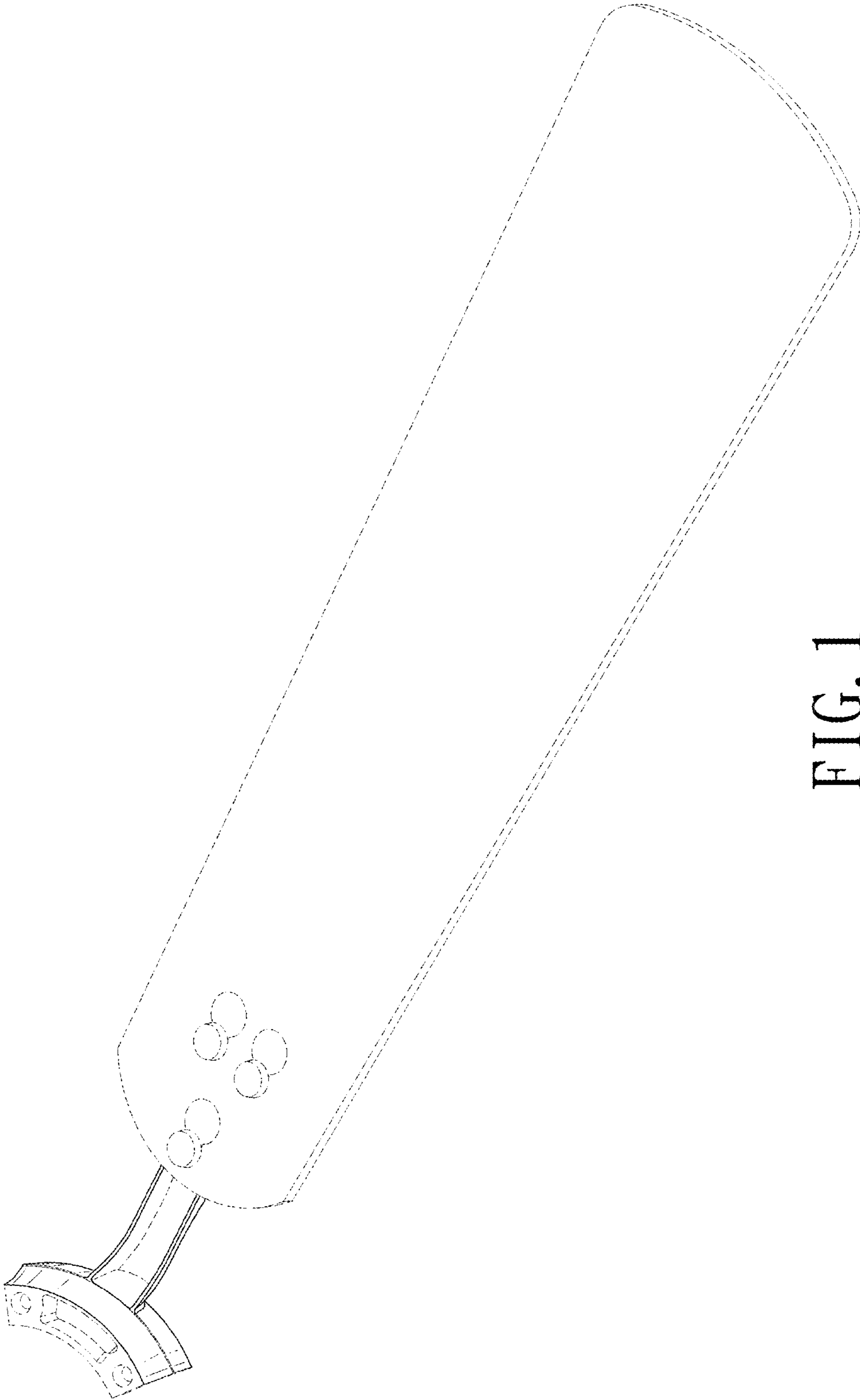


FIG. 1

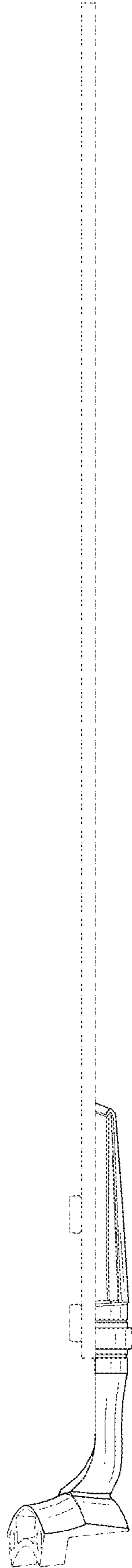


FIG. 2

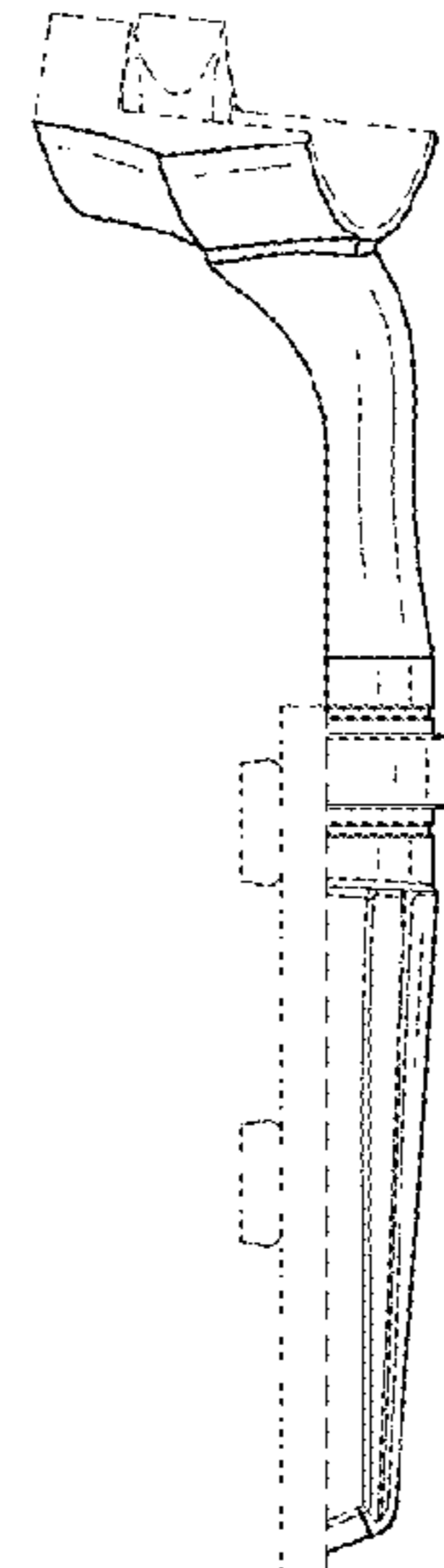


FIG. 3

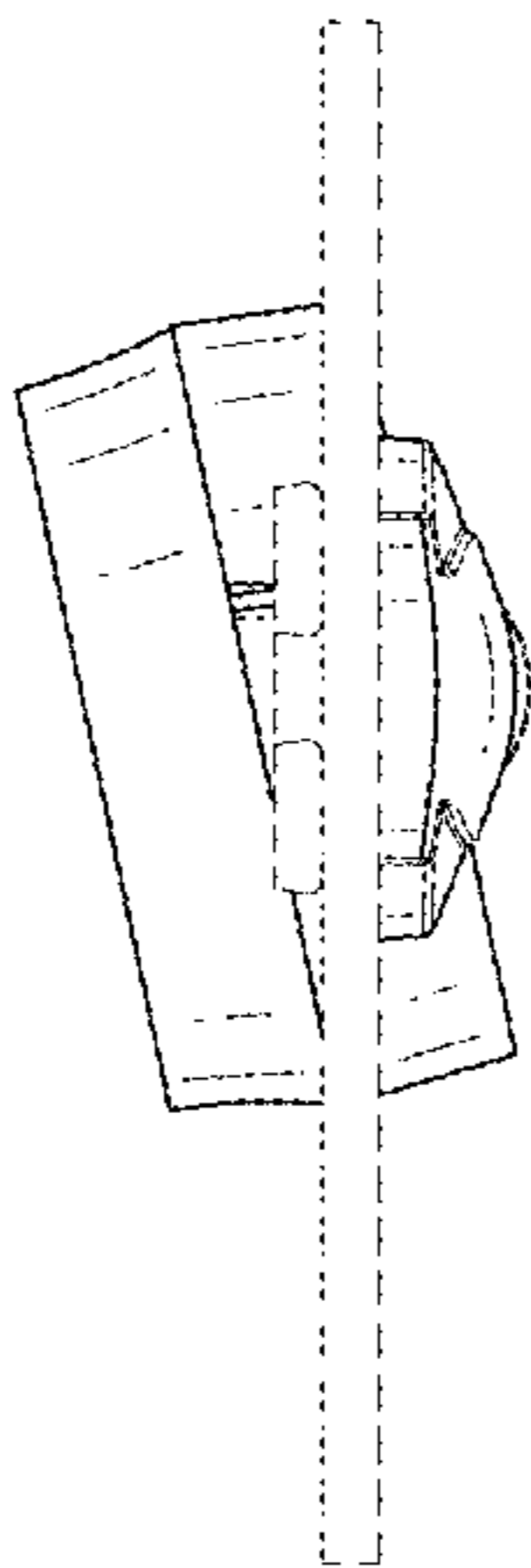


FIG. 5

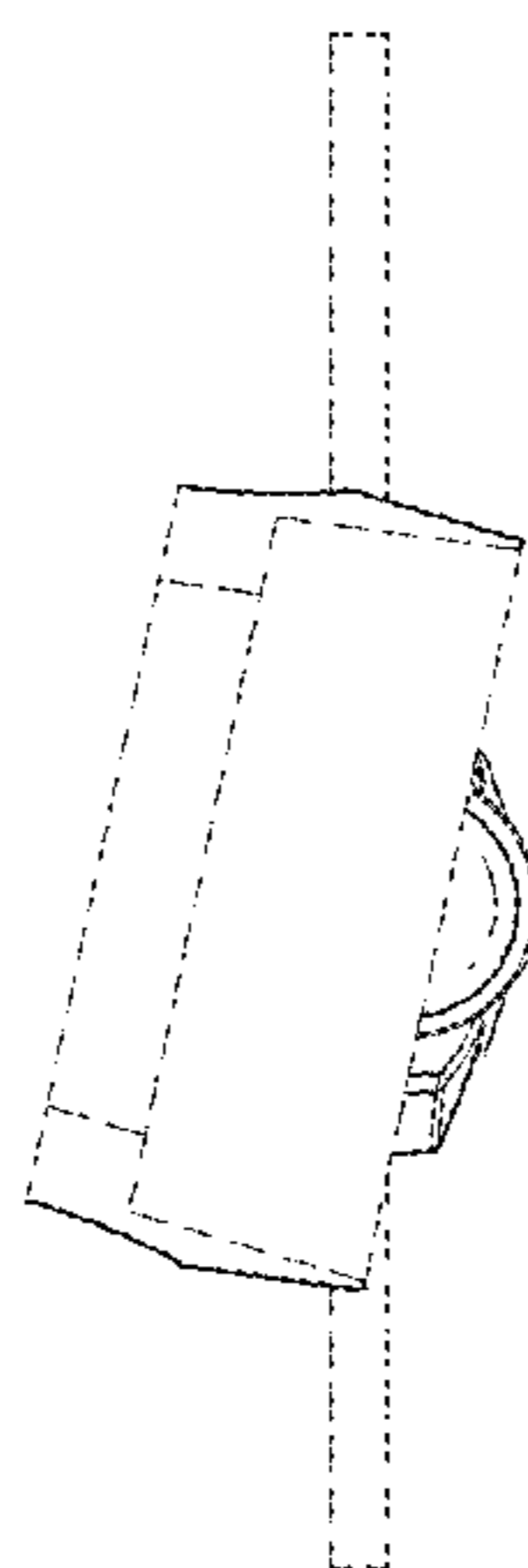


FIG. 4

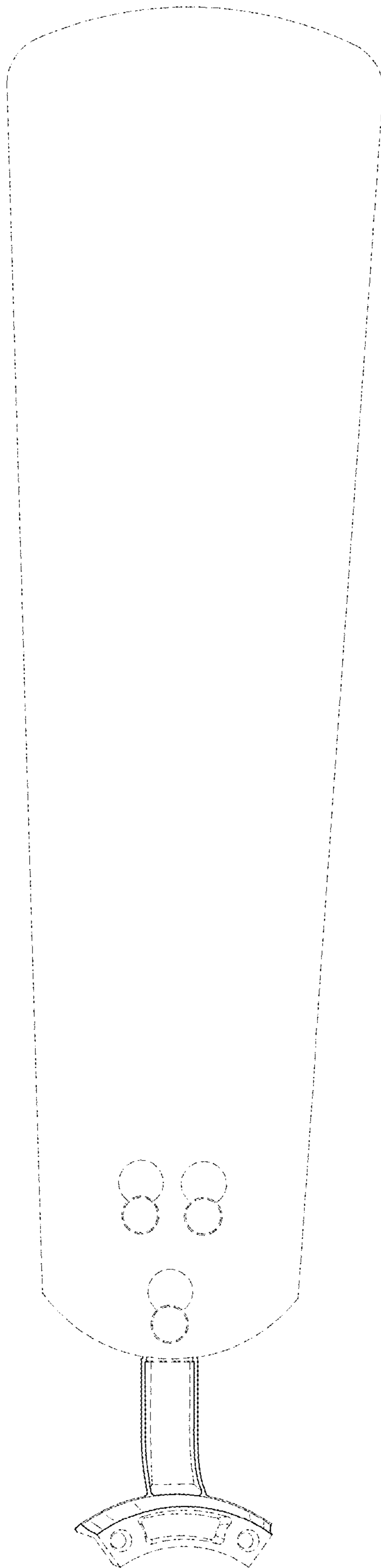


FIG. 6

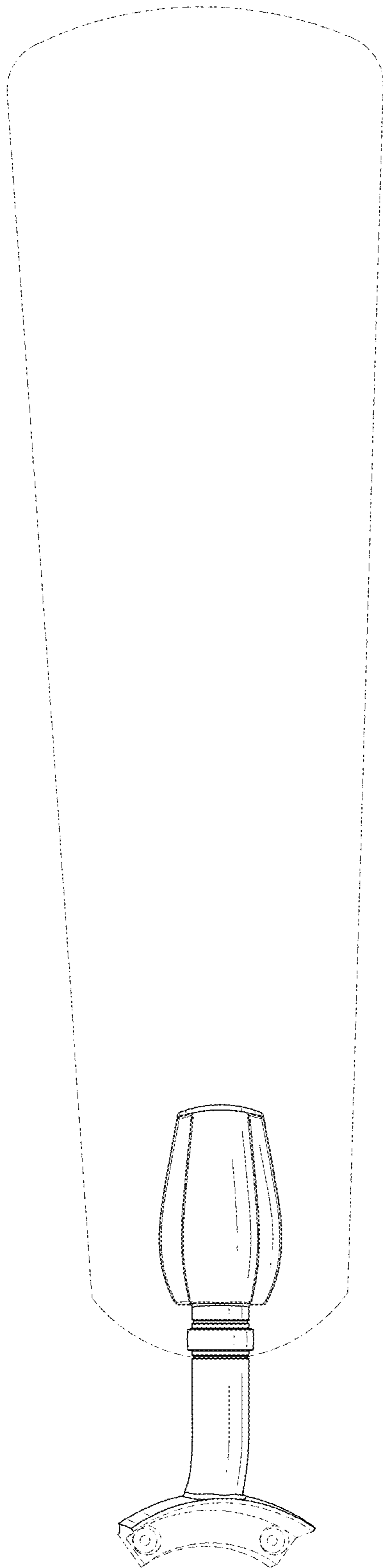


FIG. 7

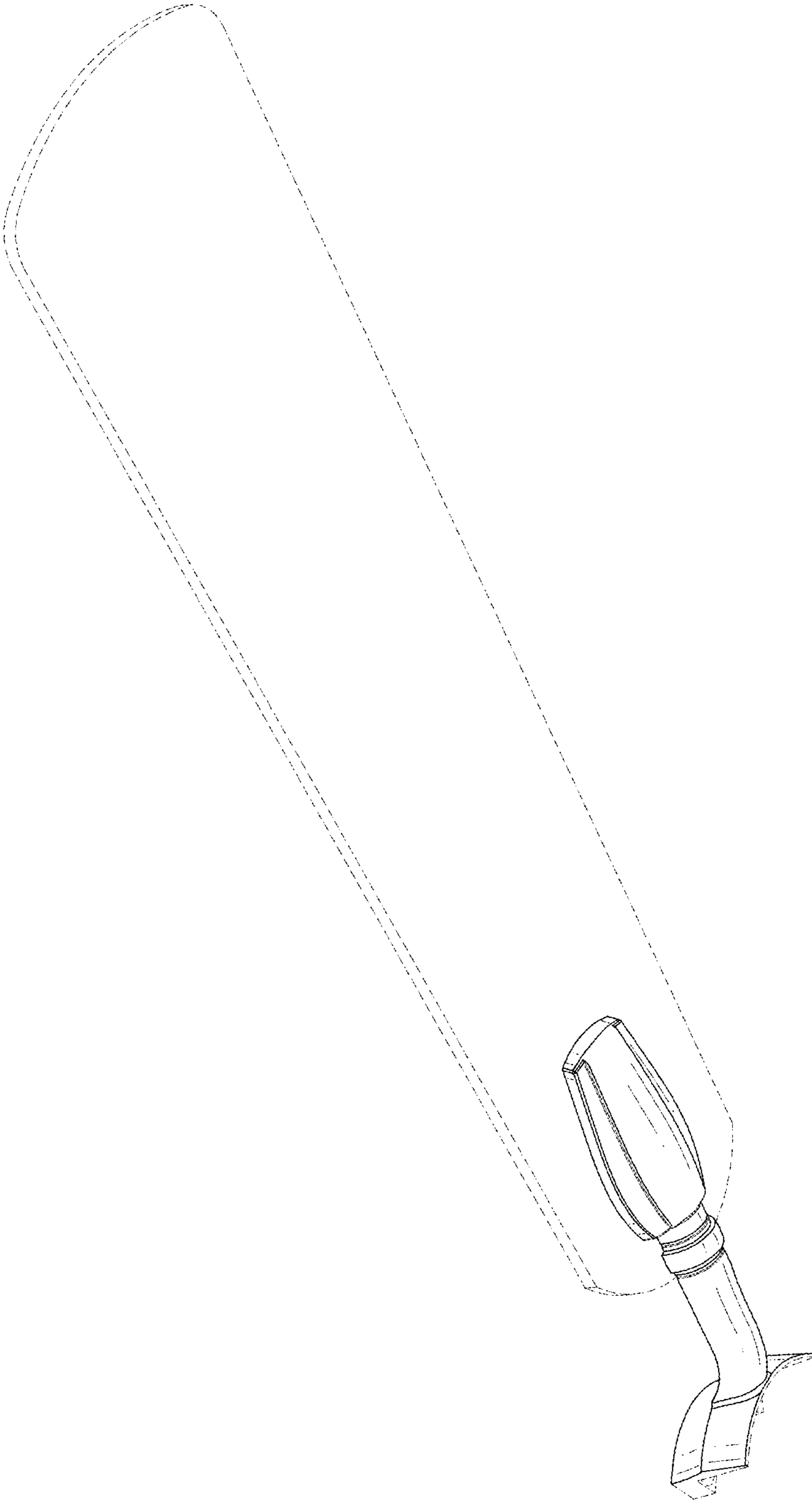


FIG. 8