



US00D901667S

(12) **United States Design Patent** (10) **Patent No.:** **US D901,667 S**
Yoo et al. (45) **Date of Patent:** **** Nov. 10, 2020**

(54) **BLADE FOR AIR CONDITIONER**
(71) Applicant: **SAMSUNG ELECTRONICS CO., LTD.**, Suwon-si (KR)
(72) Inventors: **Su-Hyun Yoo**, Goyang-si (KR);
Jin-Sun Park, Hannam-si (KR);
Min-Kyung Choi, Seoul (KR)
(73) Assignee: **SAMSUNG ELECTRONICS CO LTD.**, Gyeonggi-Do (KR)

(**) Term: **15 Years**
(21) Appl. No.: **29/653,181**
(22) Filed: **Jun. 13, 2018**

(30) **Foreign Application Priority Data**
Dec. 14, 2017 (KR) 30-2017-0059129
(51) **LOC (12) Cl.** **23-03**
(52) **U.S. Cl.**
USPC **D23/387**
(58) **Field of Classification Search**
USPC D7/409; D23/327, 354, 386, 387, 388,
D23/389, 392, 393, 397, 403, 407, 415;
D6/703; D8/400; D25/48.3

(56) **References Cited**
U.S. PATENT DOCUMENTS
2,917,616 A * 12/1959 Thomson F24C 7/065
392/423
3,096,705 A * 7/1963 Goettl F24F 13/08
454/280
(Continued)

FOREIGN PATENT DOCUMENTS
CN 303134782 S 3/2015
JP D1436942 S 3/2012
KR 300741765 S 5/2014

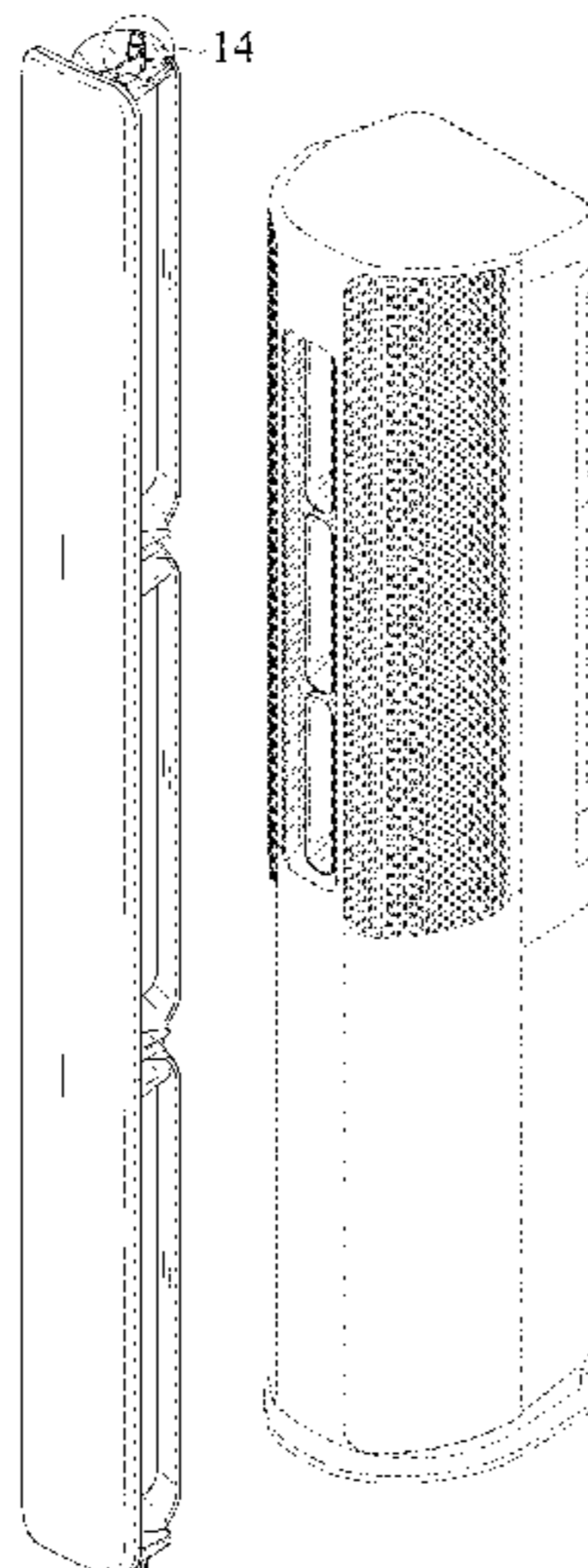
Primary Examiner — Karen S Acker
Assistant Examiner — Steven B Reinholdrt, Jr.
(74) *Attorney, Agent, or Firm* — Cantor Colburn LLP

(57) **CLAIM**
The ornamental design for a blade for air conditioner, as shown and described.

DESCRIPTION
FIG. 1 is a front perspective view of a blade for air conditioner, showing our new design;
FIG. 2 is a front view thereof;
FIG. 3 is a rear view thereof;
FIG. 4 is a left-side view thereof;
FIG. 5 is a right-side view thereof;
FIG. 6 is a top view thereof;
FIG. 7 is a bottom view thereof;
FIG. 8 is an enlarged view of the encircled portion, '8' in FIG. 3;
FIG. 9 is an enlarged view of the encircled portion, '9' in FIG. 3;
FIG. 10 is an enlarged view of the encircled portion, '10' in FIG. 6;
FIG. 11 is an enlarged view of the encircled portion, '11' in FIG. 7;
FIG. 12 is another front perspective view thereof as shown in an air conditioner environment;
FIG. 13 is a perspective view of FIG. 12 showing the blade portion in open position; and,
FIG. 14 is an enlarged view of the encircled portion, '14' in FIG. 1.

The evenly dashed broken lines in FIGS. 12 and 13 depict environmental subject matter that forms no part of the claimed design. The evenly spaced broken lines and the areas within them in FIGS. 1, 3, 5, 6, 7, 10, 11, and 14 depict portions of the blade for air conditioner that form no part of the claimed design. The dot-dot-dash broken lines denote the boundaries of the claim and form no part thereof. The dot-dash broken lines in FIGS. 1, 3, 6, 7, 8, 9, 10, 11, and 14 depict the boundaries of the enlarged views that form no part of the claimed design.

1 Claim, 14 Drawing Sheets



(58) **Field of Classification Search**

CPC .. F23M 7/04; F24F 12/00; F24F 13/00; F24F
13/0227; F24F 13/0236

See application file for complete search history.

(56) **References Cited**

U.S. PATENT DOCUMENTS

D199,099	S	*	9/1964	Averill	D23/388
3,641,913	A	*	2/1972	Dennis	B60H 1/3428 454/316
D256,048	S	*	7/1980	Brown	D23/371
D279,601	S	*	7/1985	Sexton	D23/388
D287,048	S	*	12/1986	Bratton	D23/354
D306,198	S	*	2/1990	Matherne	D23/365
D402,020	S	*	12/1998	Aihara	D23/351
D431,073	S	*	9/2000	Durian	165/104.19
D613,393	S	*	4/2010	Dorsey	D23/397
D708,890	S	*	7/2014	Kim	D7/354
D805,181	S	*	12/2017	Urano	D23/388
D806,855	S	*	1/2018	Urano	D23/388
D814,005	S	*	3/2018	Morikawa	D23/351
D865,145	S	*	10/2019	Yoo	D23/333
D866,745	S	*	11/2019	Peak	D23/393

* cited by examiner

FIG. 1

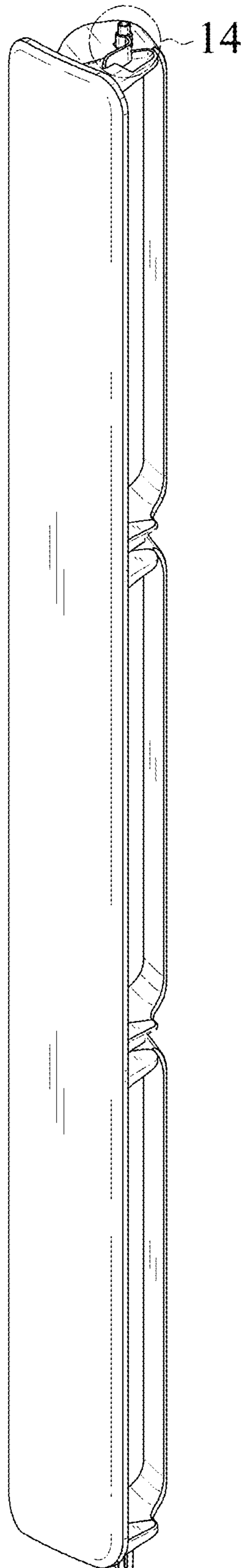


FIG. 2

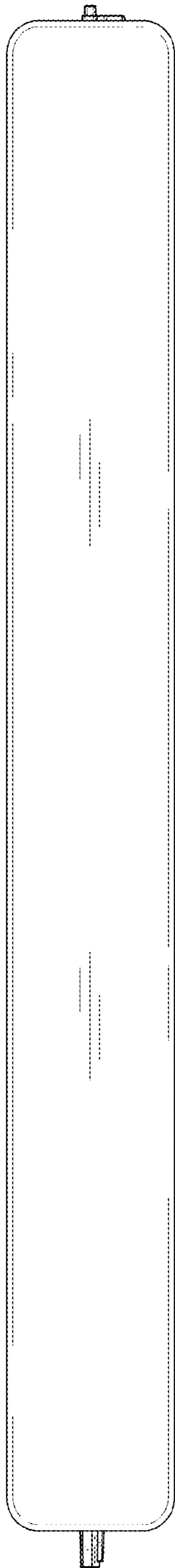


FIG. 3

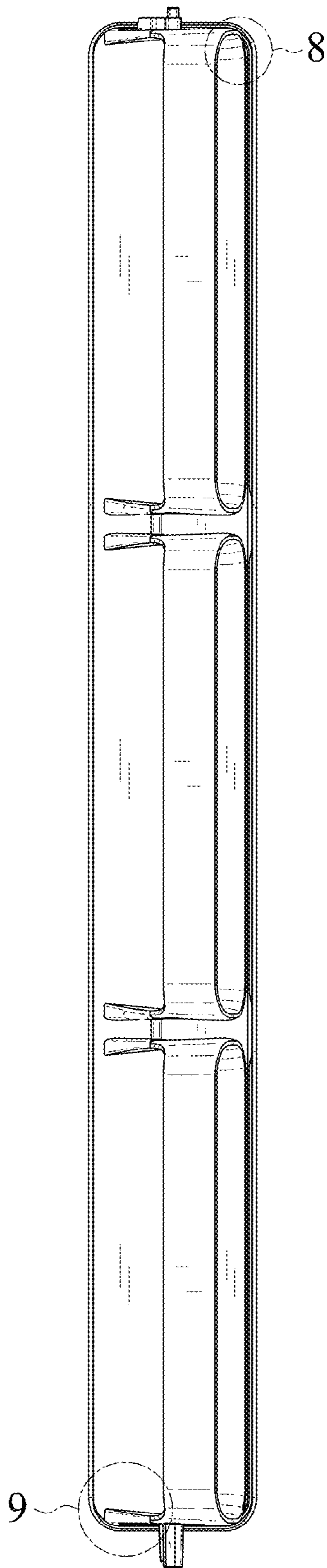


FIG. 4

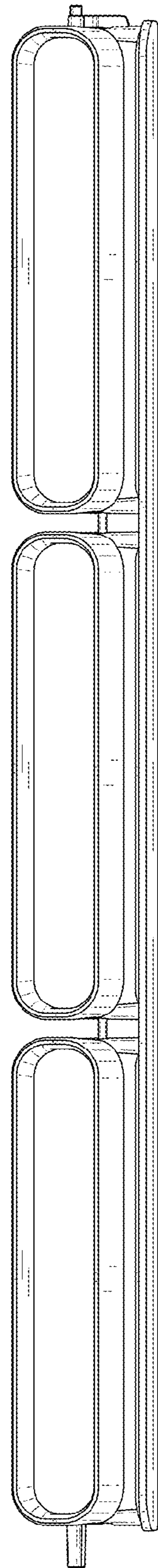


FIG. 5

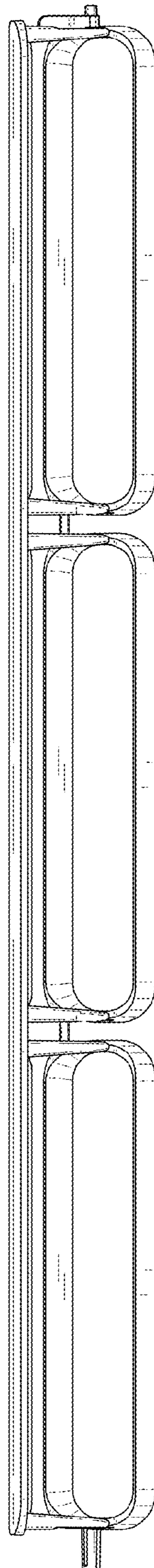


FIG. 6

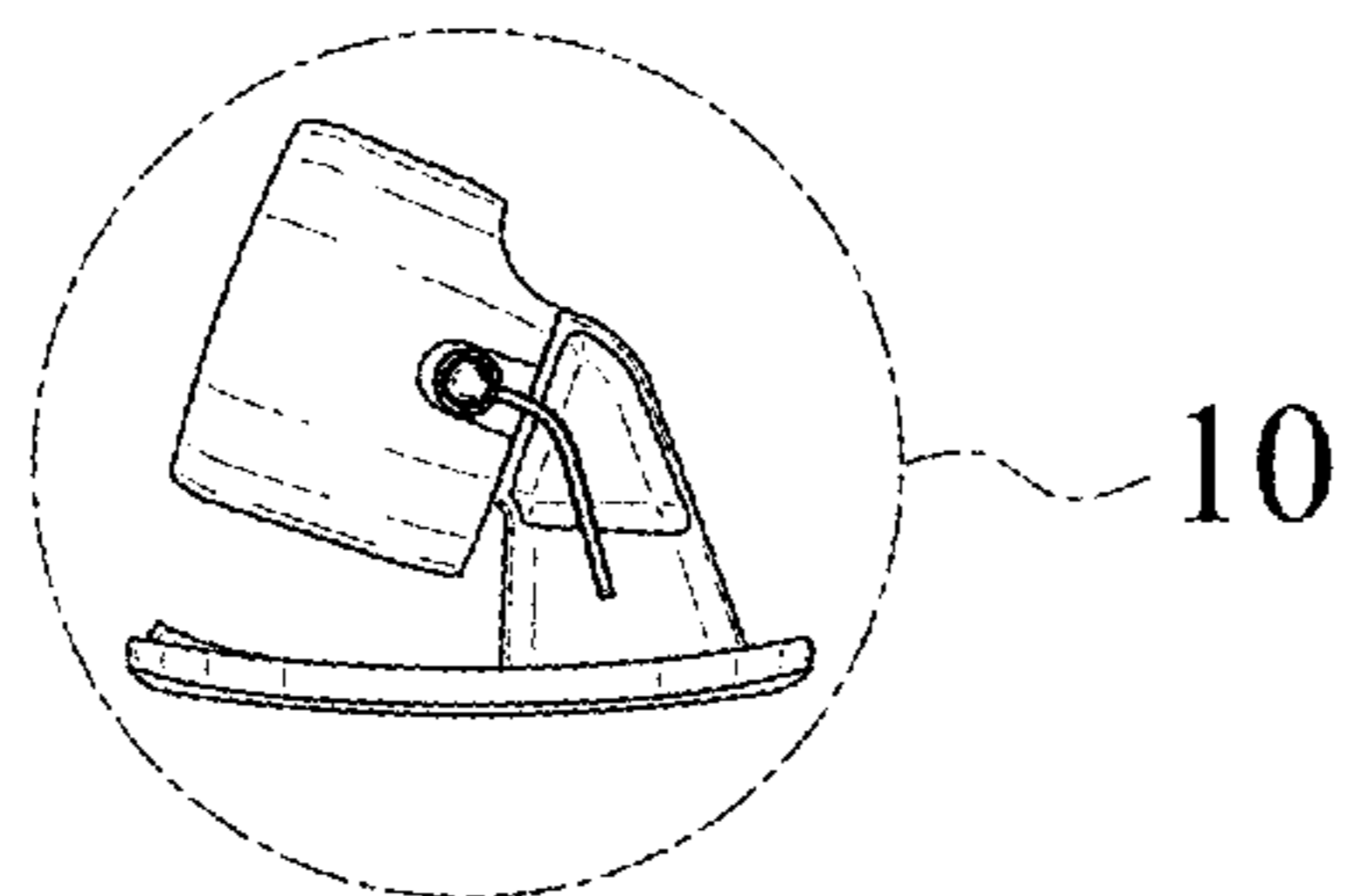


FIG. 7

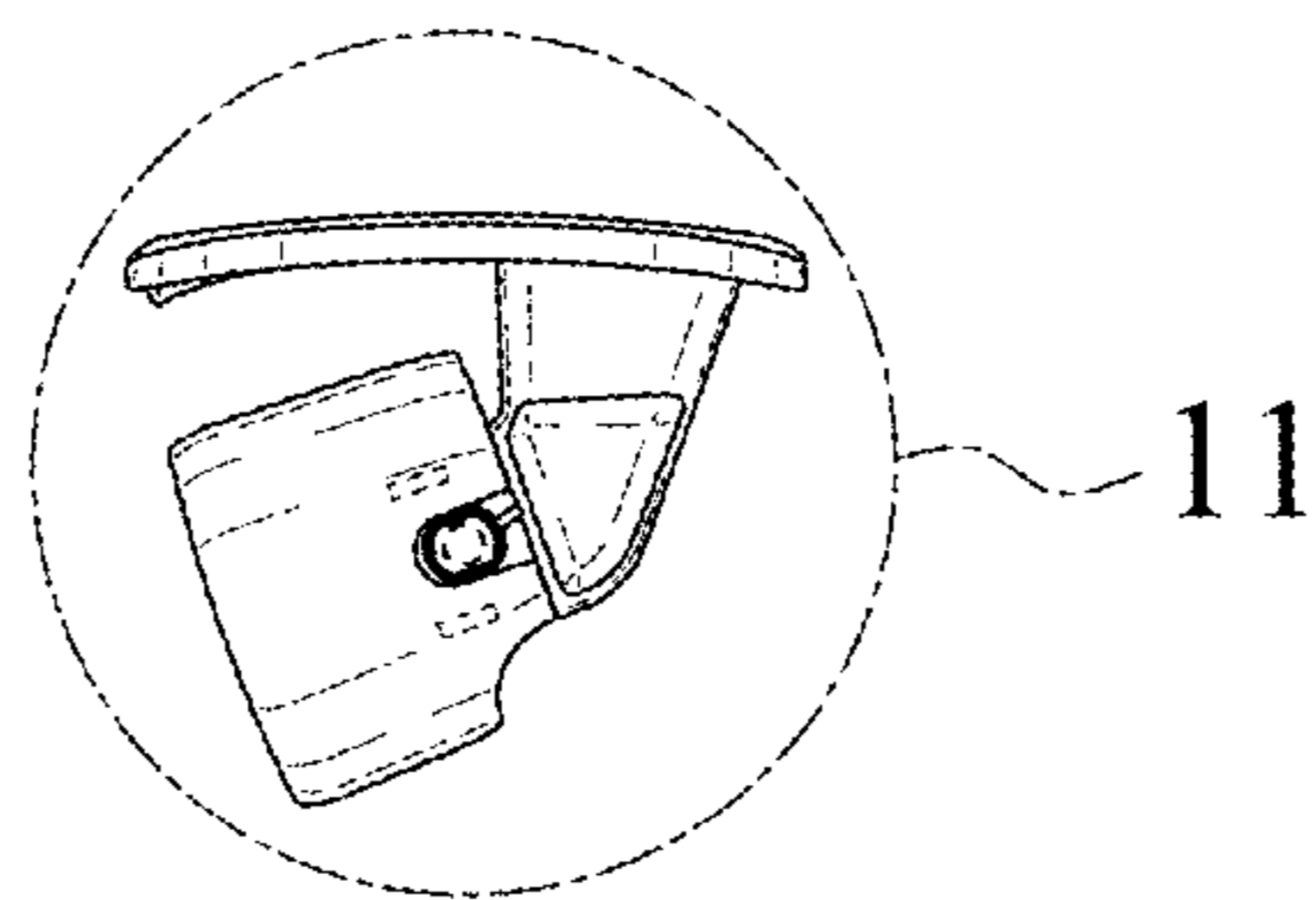


FIG. 8

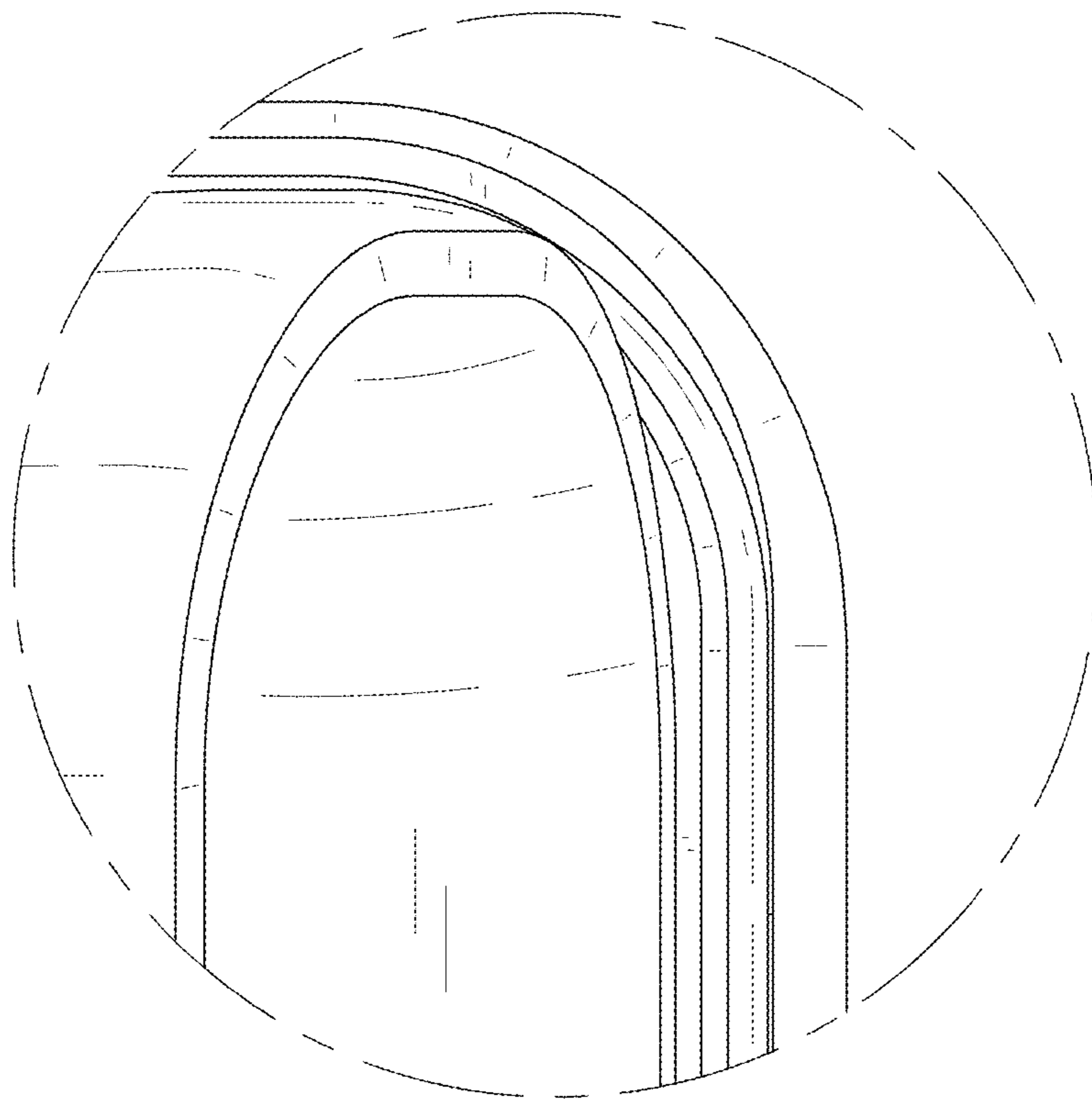


FIG. 9

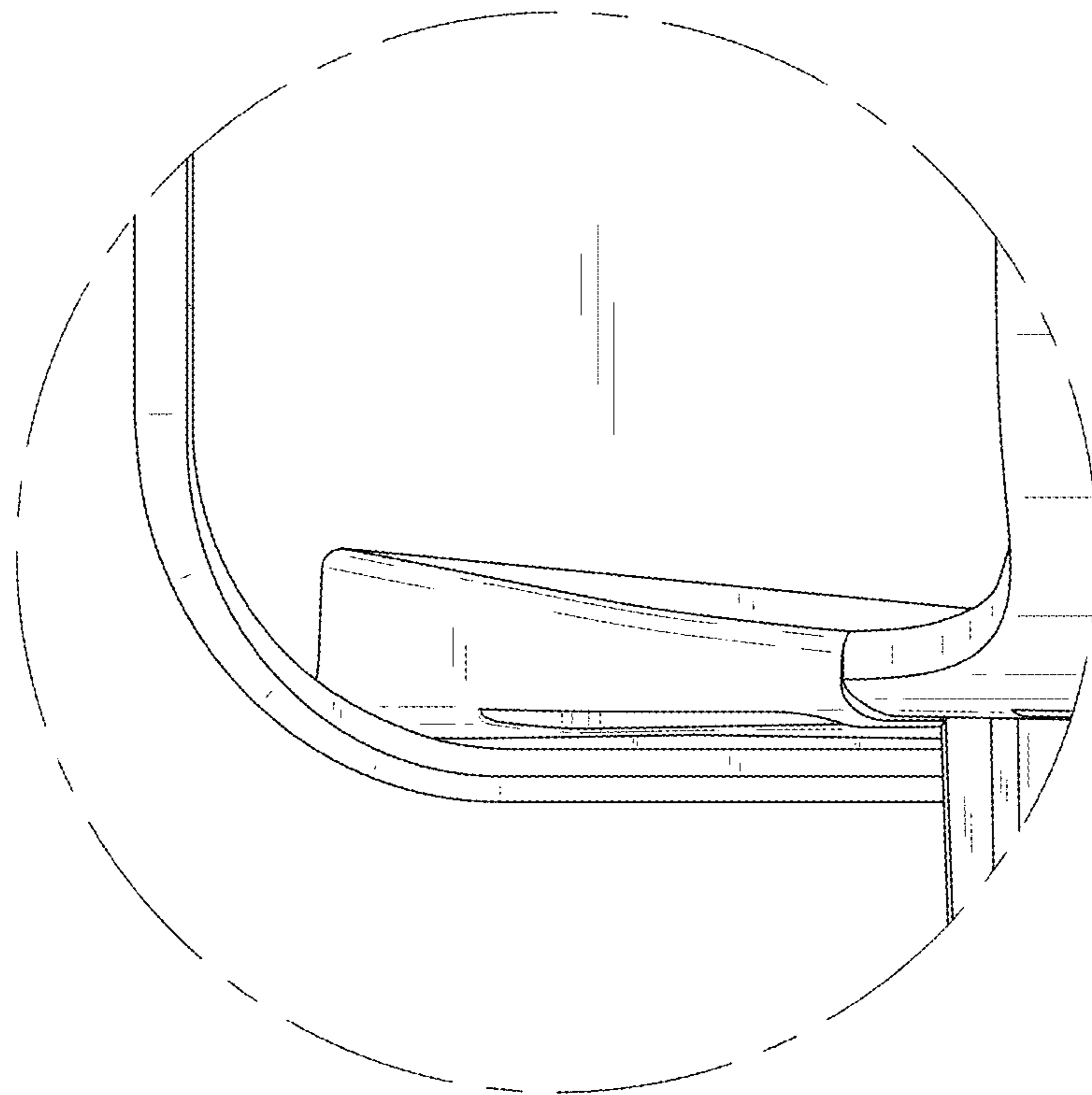


FIG. 10

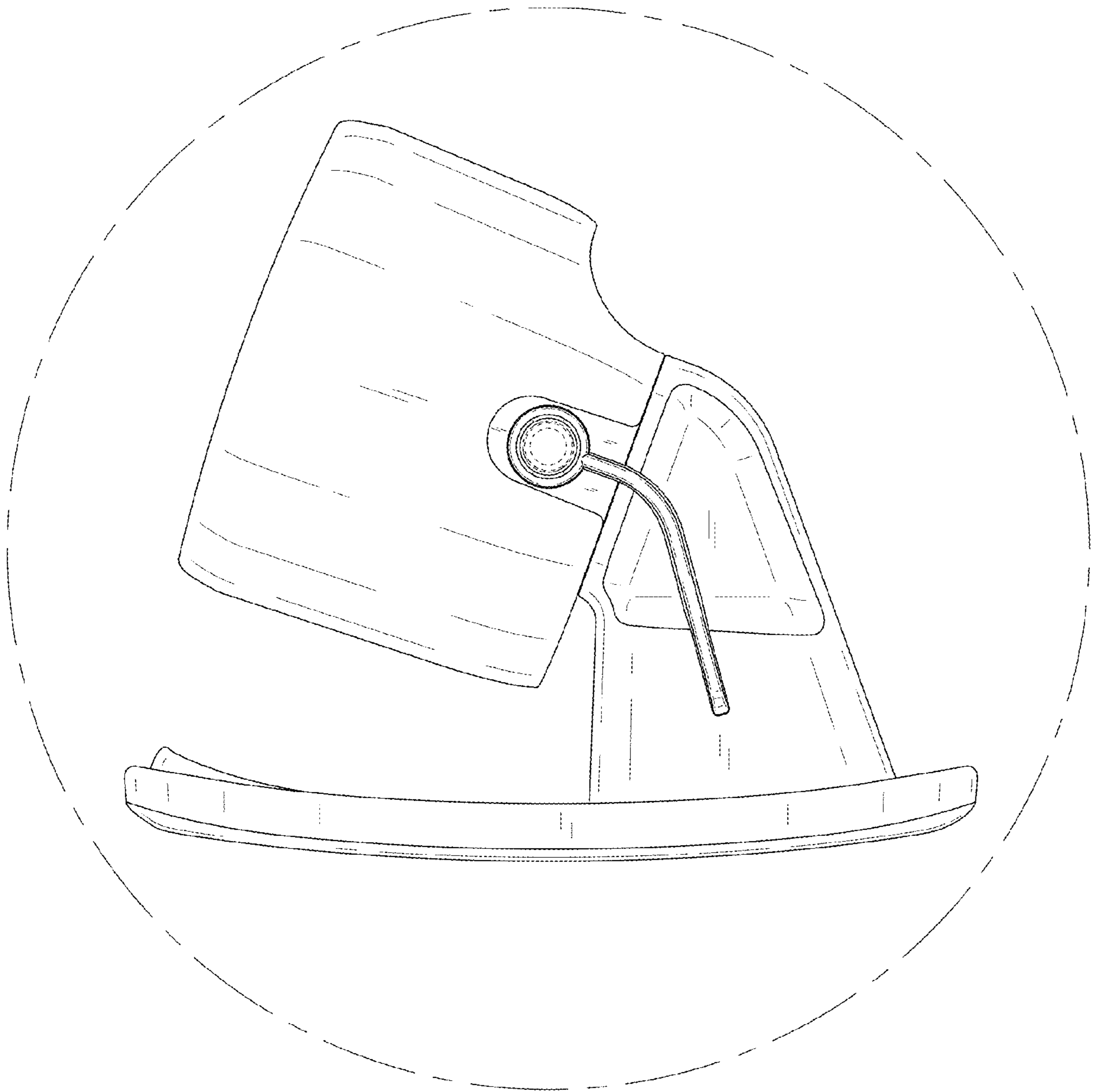


FIG. 11

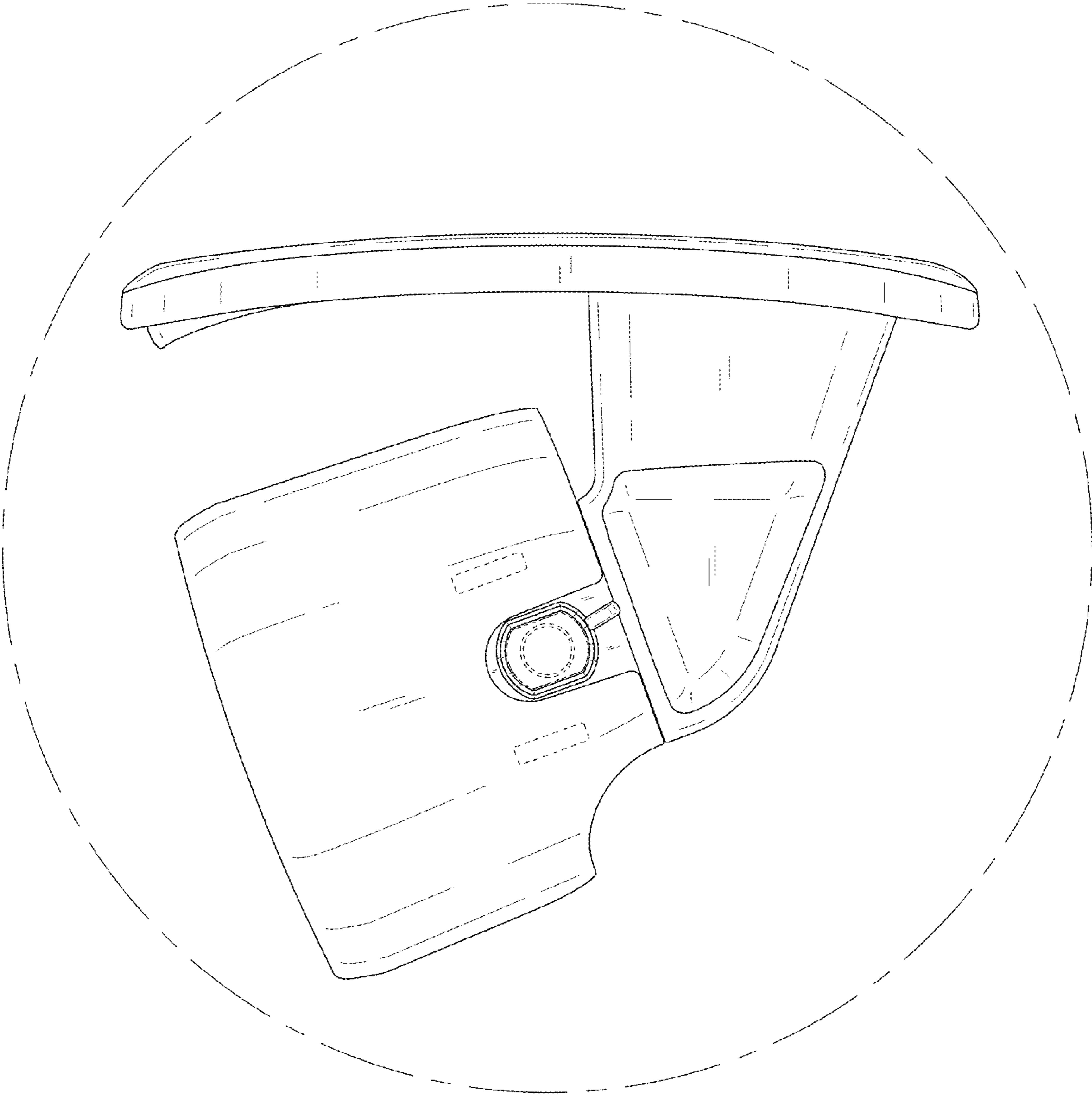


FIG. 12

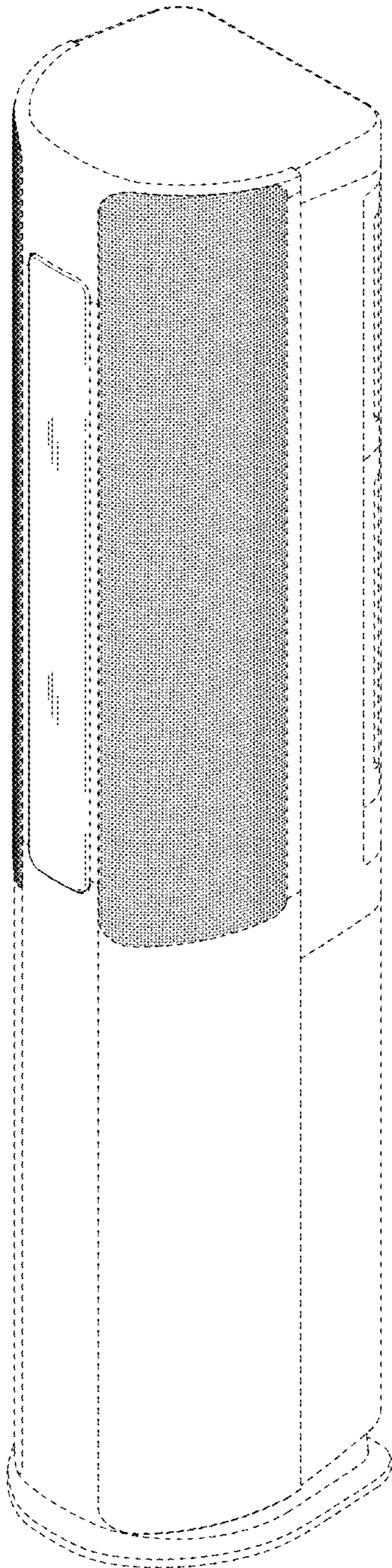


FIG.13

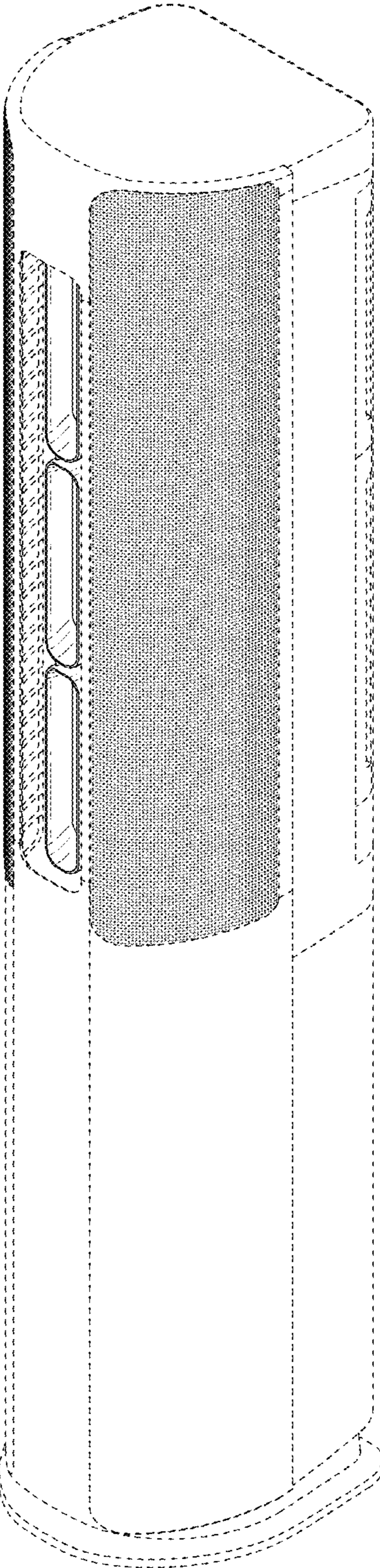


FIG.14

