



US00D901666S

(12) **United States Design Patent** (10) **Patent No.:** **US D901,666 S**
Hong (45) **Date of Patent:** **** Nov. 10, 2020**

(54) **PORTABLE FAN**

(71) Applicant: **Lingling Hong**, Xiamen (CN)

(72) Inventor: **Lingling Hong**, Xiamen (CN)

(**) Term: **15 Years**

(21) Appl. No.: **29/676,172**

(22) Filed: **Jan. 9, 2019**

(51) **LOC (12) Cl.** **23-04**

(52) **U.S. Cl.**
USPC **D23/379**

(58) **Field of Classification Search**
USPC D23/328, 379, 200, 314, 333, 334, 351,
D23/355, 370, 383, 359, 364, 365,
D23/371-373, 376, 378, 381-382,
D23/384-387, 393, 399, 411, 499, 335
CPC F04D 25/08; F04D 25/084; F04D 29/40;
F04D 29/4226; F04D 29/52; F04D 19/00;
F04D 19/002

See application file for complete search history.

(56) **References Cited**

U.S. PATENT DOCUMENTS

D325,079 S *	3/1992	Chaim	D23/379
D425,192 S *	5/2000	Humphrey	D23/379
6,109,874 A *	8/2000	Steiner	F04D 25/084 416/229 R
D451,184 S *	11/2001	Yuen	D23/379
D458,361 S *	6/2002	Melwani	D23/379
D459,460 S *	6/2002	Melwani	D23/379
D529,166 S *	9/2006	Geringer	D23/379
D529,597 S *	10/2006	Mombauer	D23/379
D560,790 S *	1/2008	Chernick	D23/379
D564,083 S *	3/2008	Junkel	D23/379
D593,237 S *	5/2009	Chernick	D23/328
D689,662 S *	9/2013	Vigil	D23/379
D699,832 S *	2/2014	Lim	D23/379

D704,775 S *	5/2014	Levy	D21/398
D733,281 S *	6/2015	Herbst	D23/328
D733,284 S *	6/2015	Lim	D23/379

(Continued)

OTHER PUBLICATIONS

Portable fans. (Design—© Questel) orbit.com. [online PDF] 45 pgs. Print Dates range Dec. 18, 2018 through Jun. 26, 2020. [retrieved Jul. 2, 2020] <https://www.orbit.com/export/QPTUJ214/pdf2/fd026357-d27e-4f35-ba5b-40bf8753cf46-181918.pdf>.*

Primary Examiner — Marie D. Fast Horse

(74) *Attorney, Agent, or Firm* — Law Offices of Steven W. Weinrieb

(57) **CLAIM**

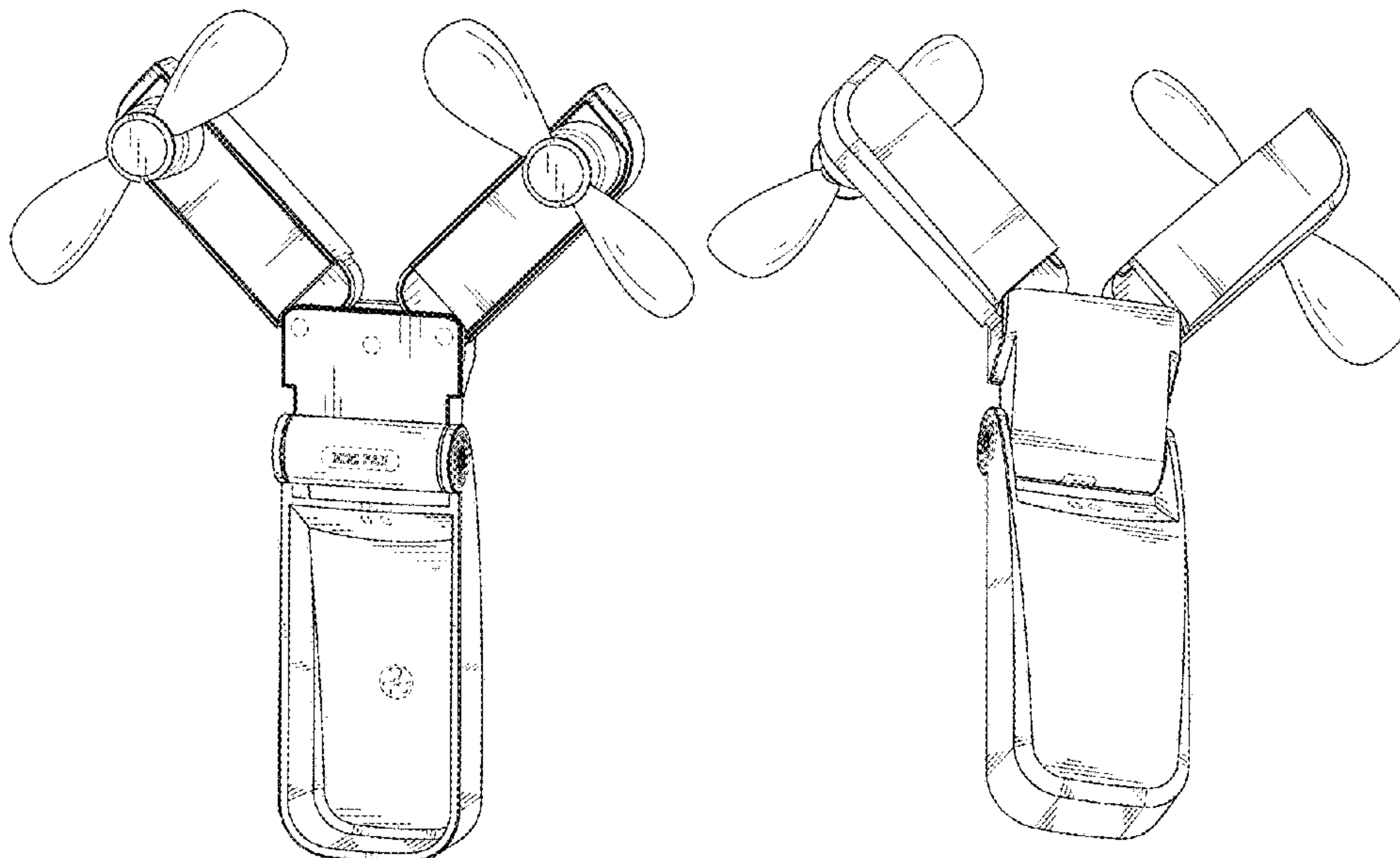
The ornamental design for a portable fan, as shown and described.

DESCRIPTION

FIG. 1 is a front, right side, top perspective view of portable fan showing my new design;
FIG. 2 is a rear, left side, bottom perspective view thereof;
FIG. 3 is a front elevational view;
FIG. 4 is a rear elevational view thereof;
FIG. 5 is a left side elevational view thereof;
FIG. 6 is a right side elevational view thereof;
FIG. 7 is a top plan view thereof;
FIG. 8 is a bottom plan view thereof;
FIG. 9 is a front, right side, perspective view thereof with the base of the portable fan in an outward folded stand state;
FIG. 10 is a front, right side perspective view thereof with the portable fan shown in a partially folded state; and,
FIG. 11 is a front, right side, perspective view thereof showing the portable fan in its entirely closed state.

The broken lines immediately adjacent to the claimed portions are boundaries, all other broken lines are environmental structures; all the broken lines form no part of the claimed design.

1 Claim, 11 Drawing Sheets



(56)

References Cited

U.S. PATENT DOCUMENTS

D767,747 S *	9/2016	Wang	D23/379
D776,203 S *	1/2017	Zuloff	D21/398
D843,557 S *	3/2019	Breit	D23/379
D845,464 S *	4/2019	Breit	D23/379
D886,982 S *	6/2020	Li	D23/379

* cited by examiner

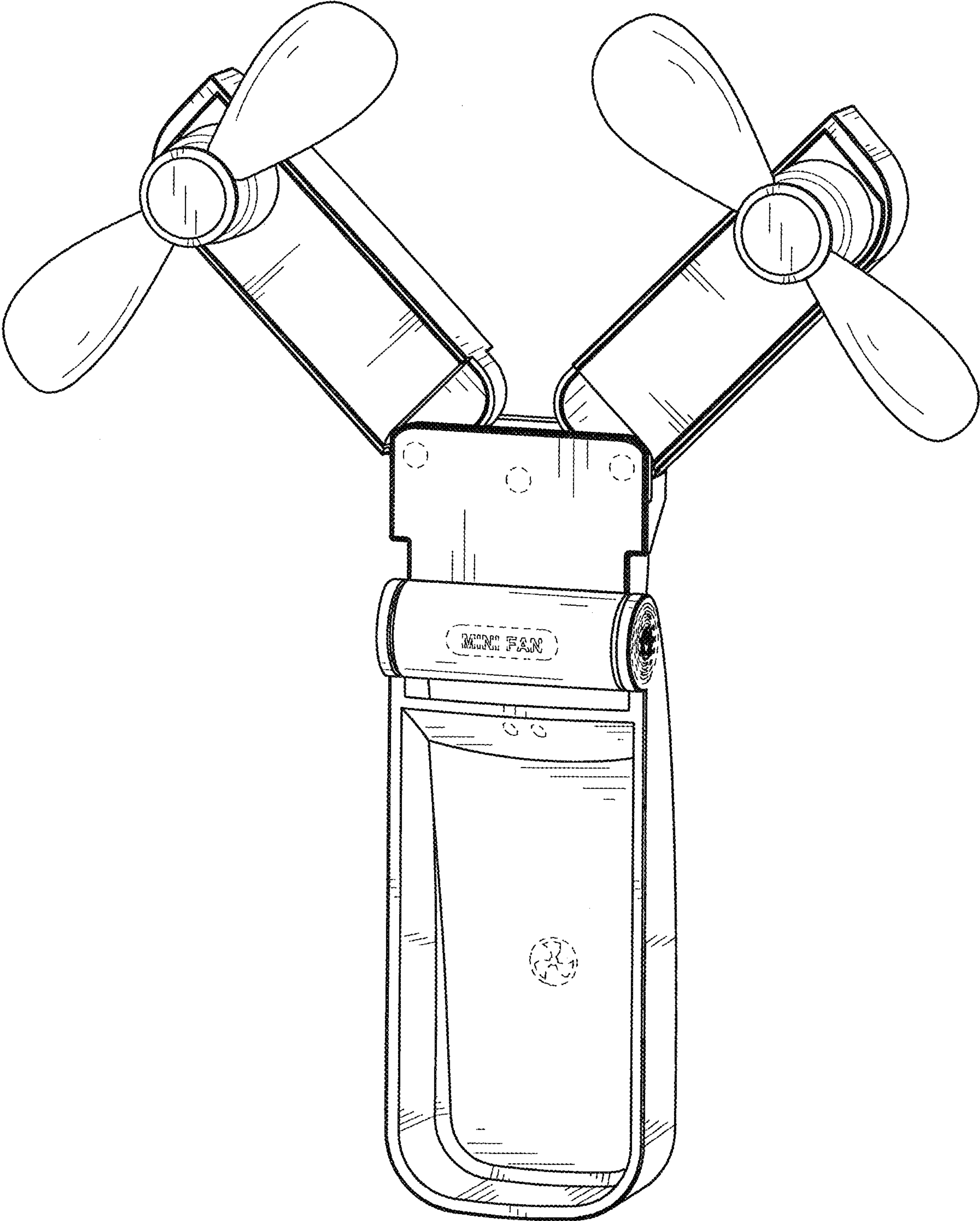


FIG. 1

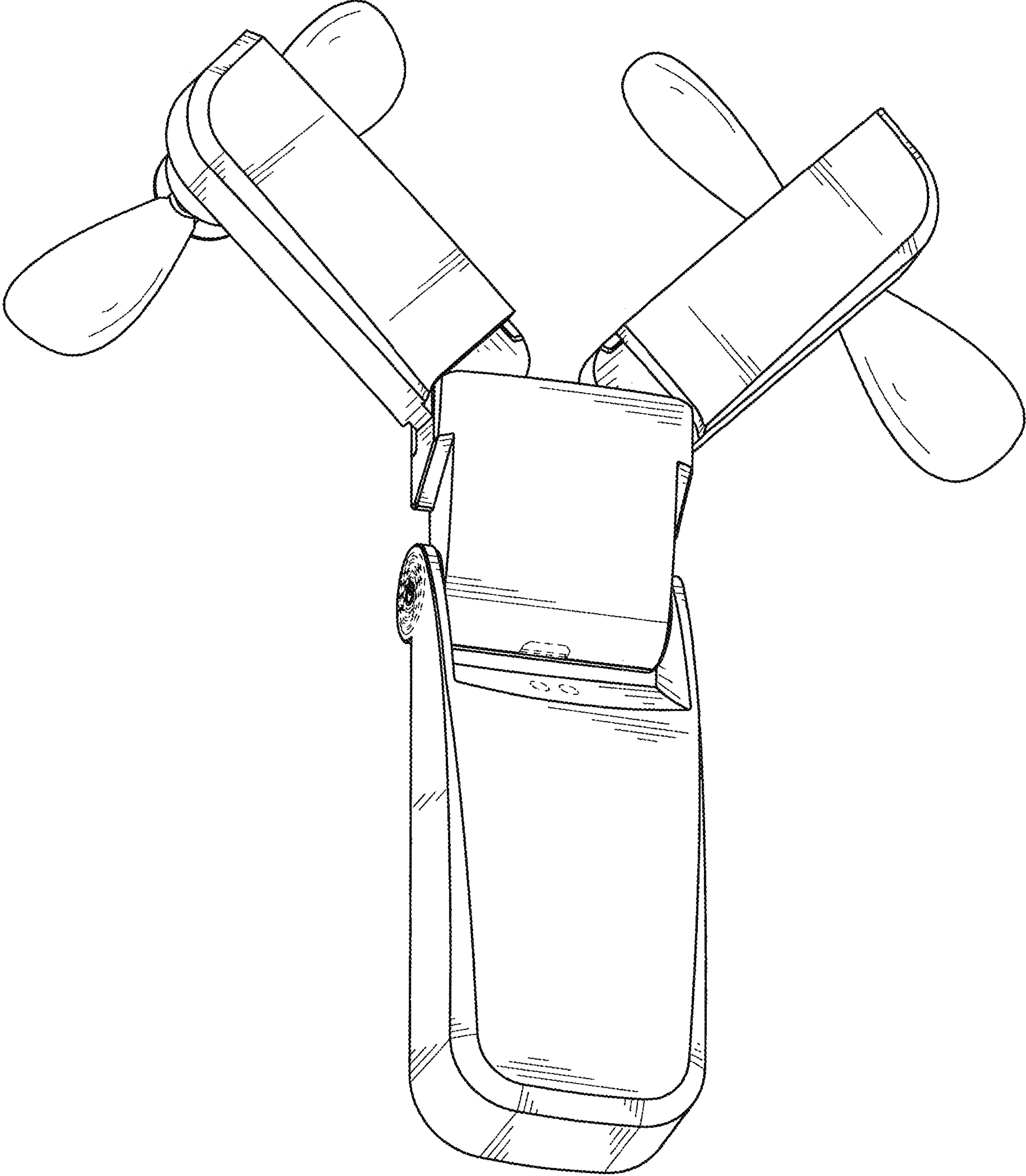


FIG. 2

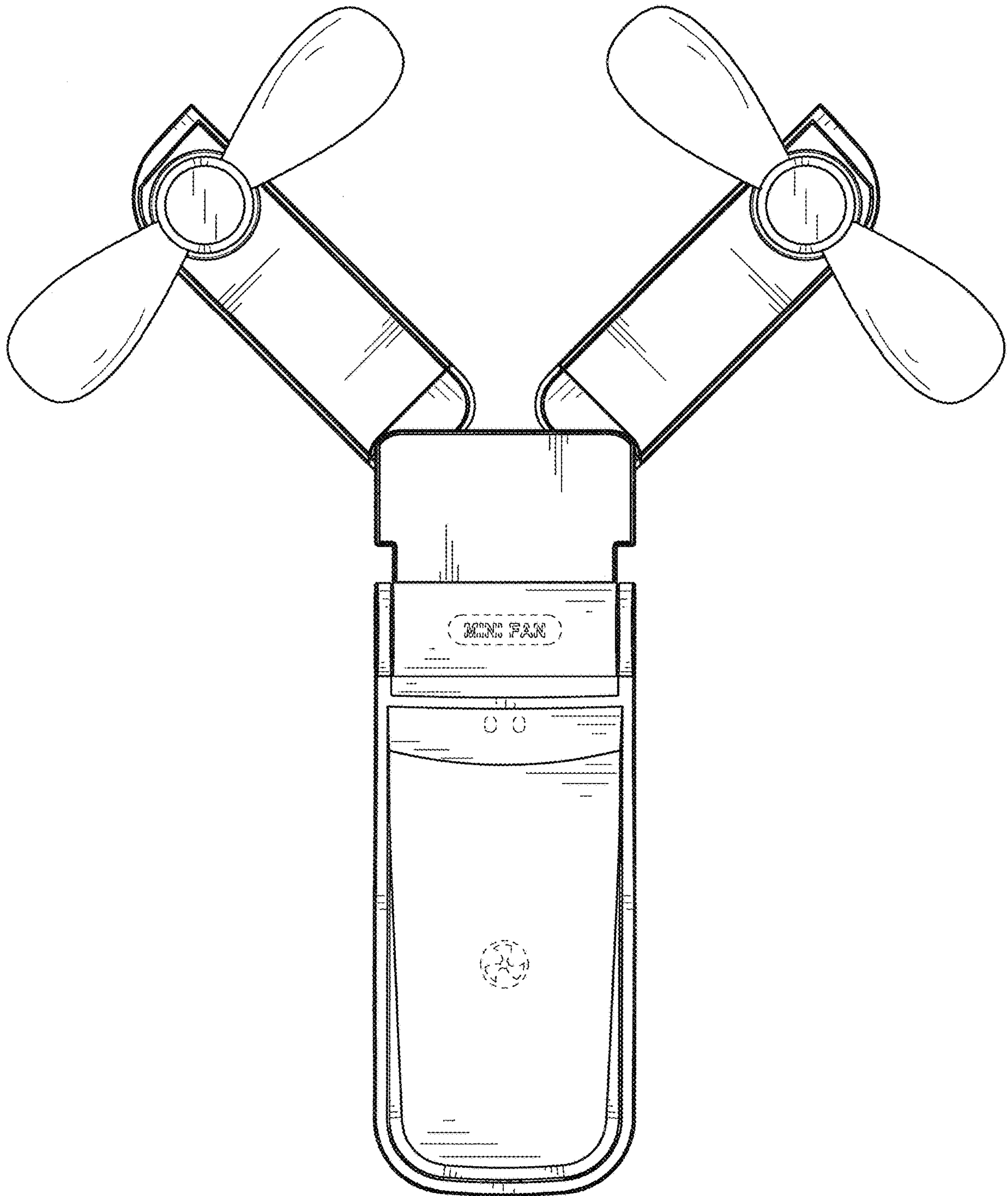


FIG. 3

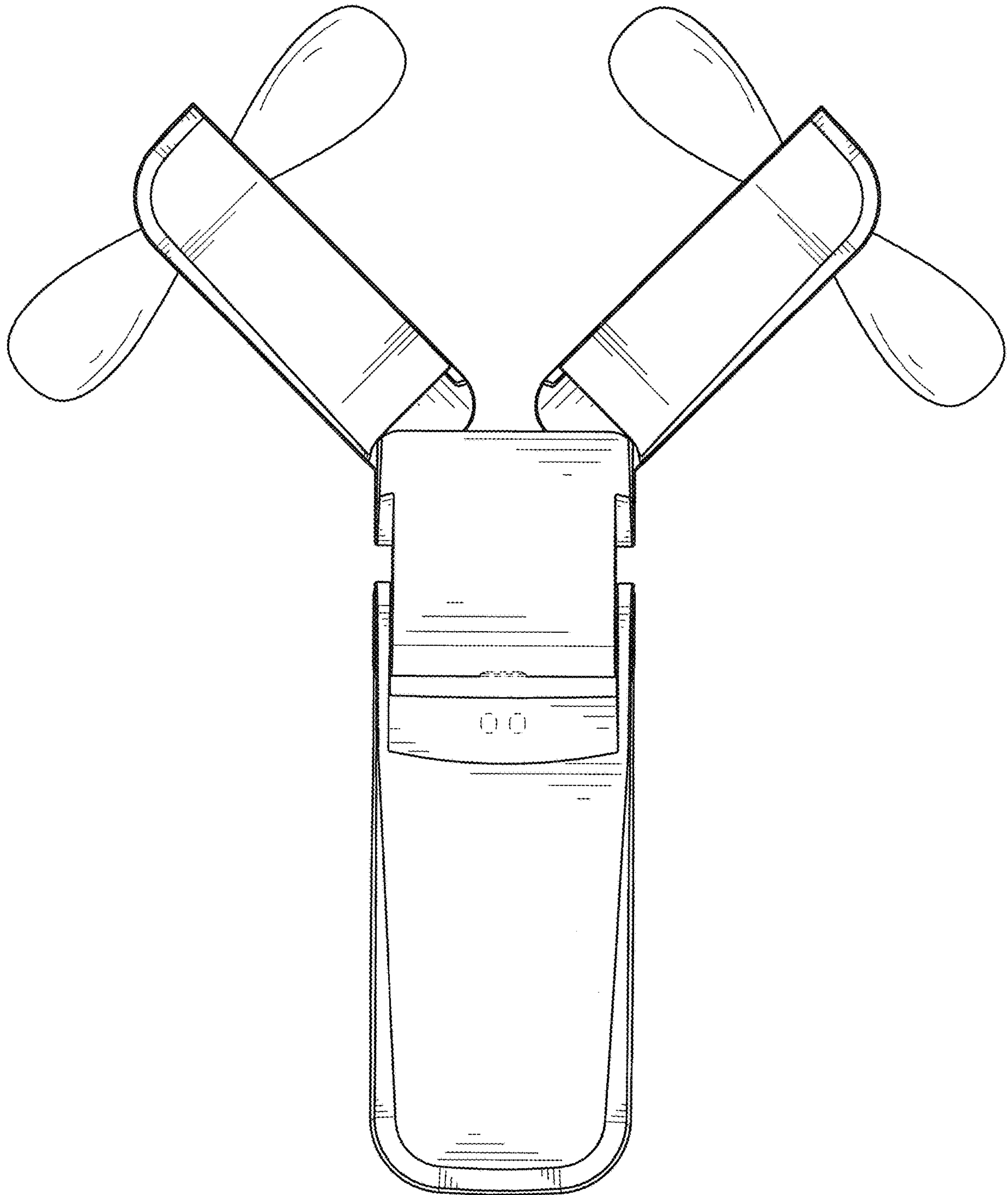


FIG. 4

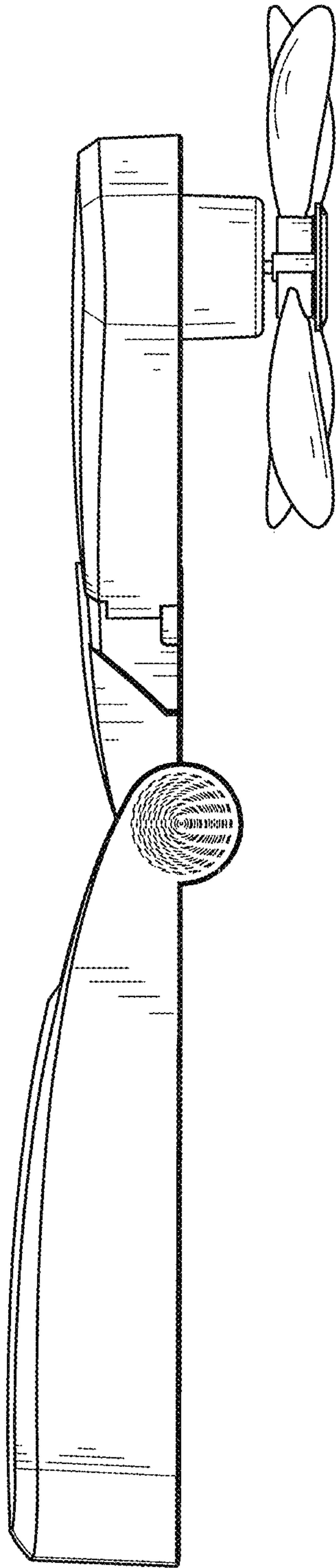


FIG. 5

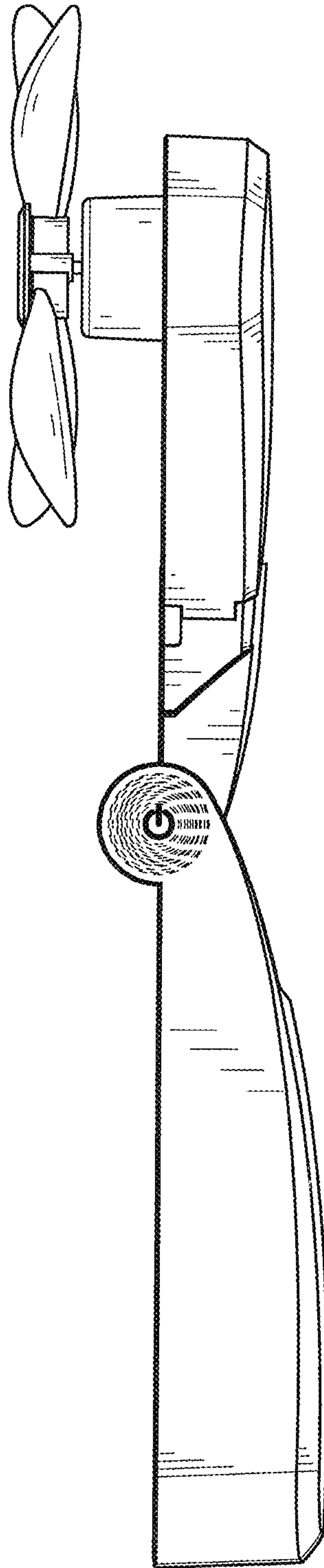


FIG. 6

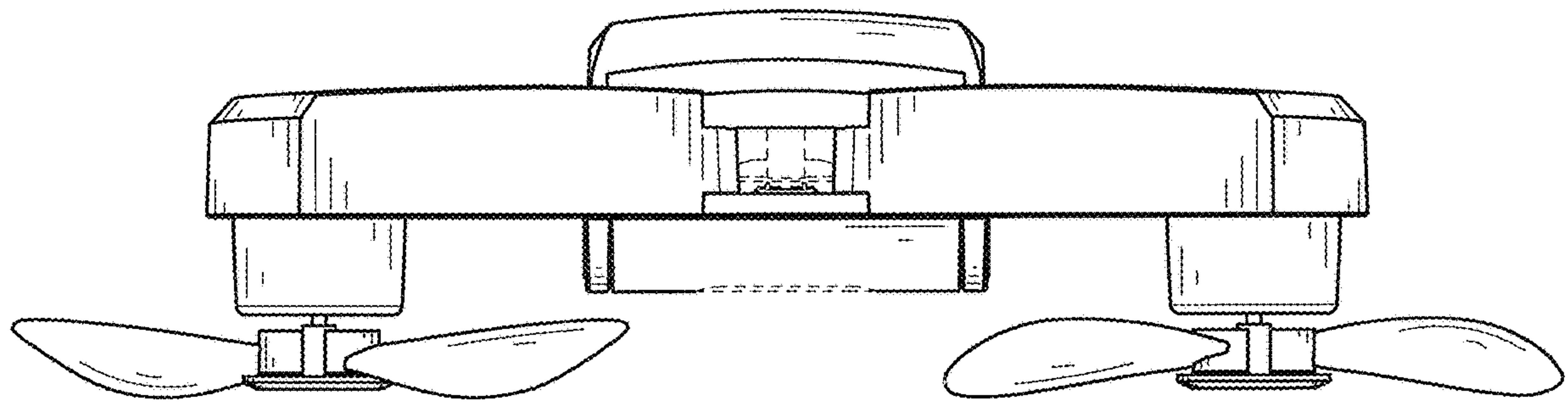


FIG. 7

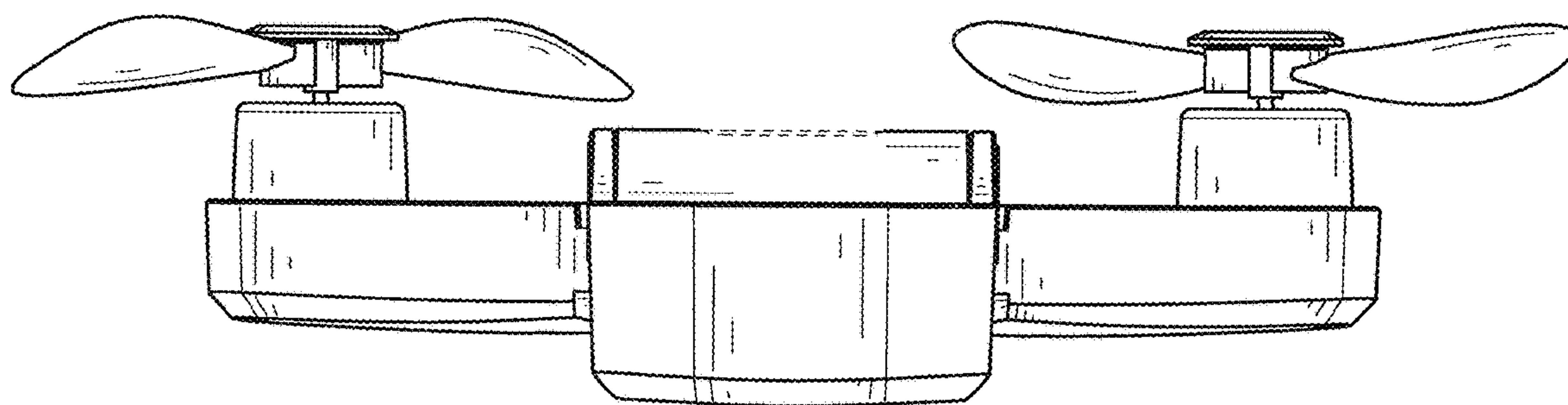


FIG. 8

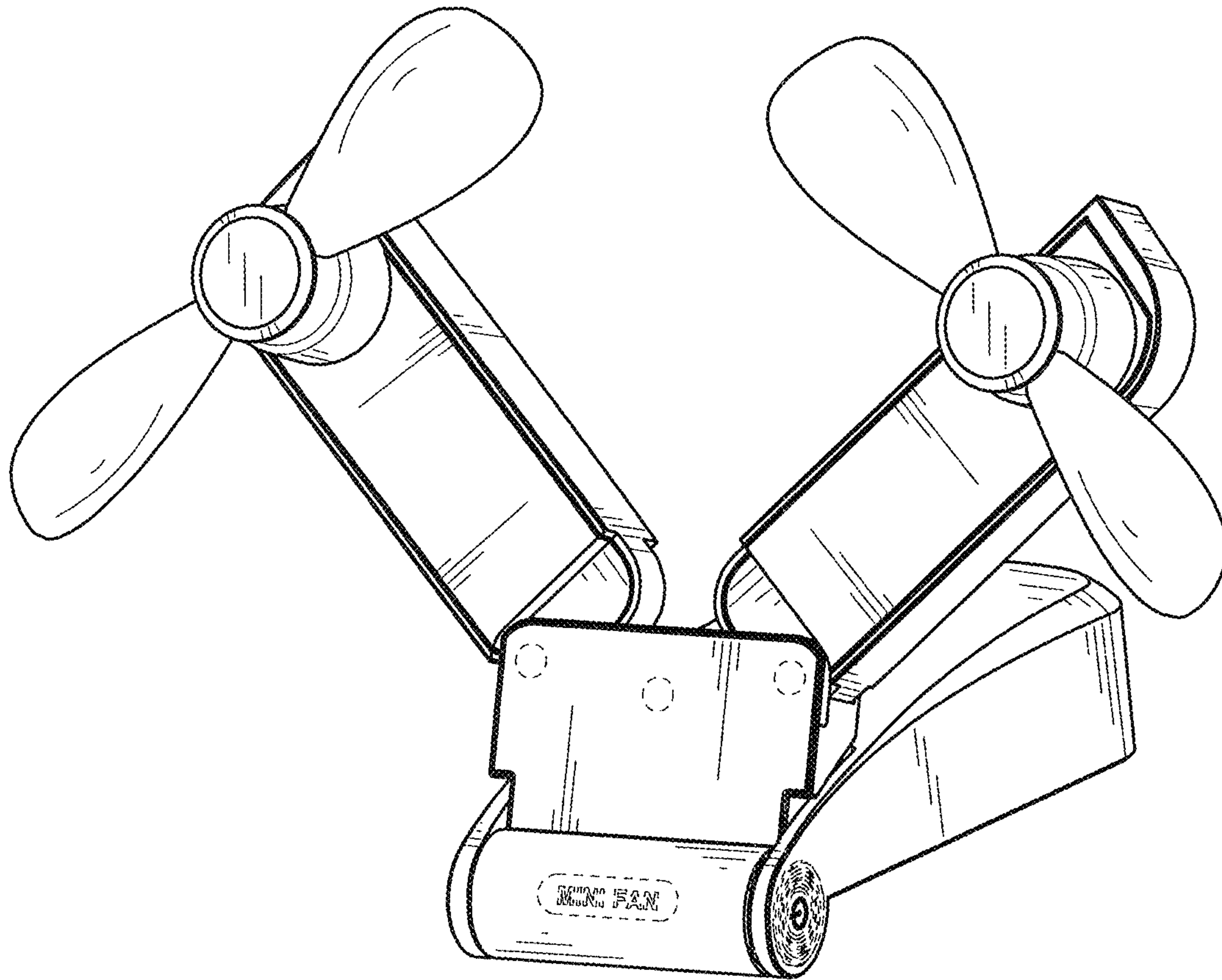


FIG. 9

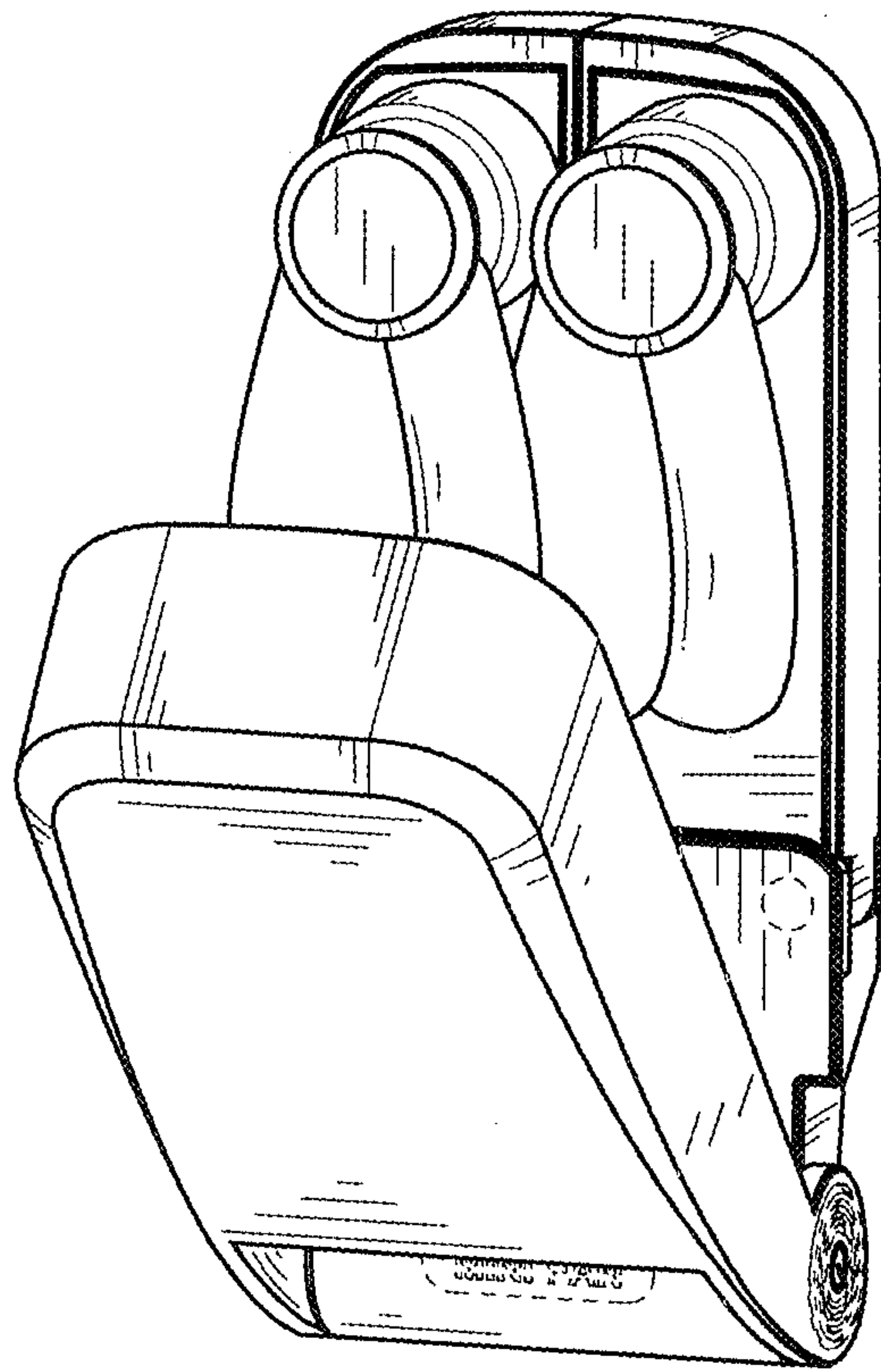


FIG. 10

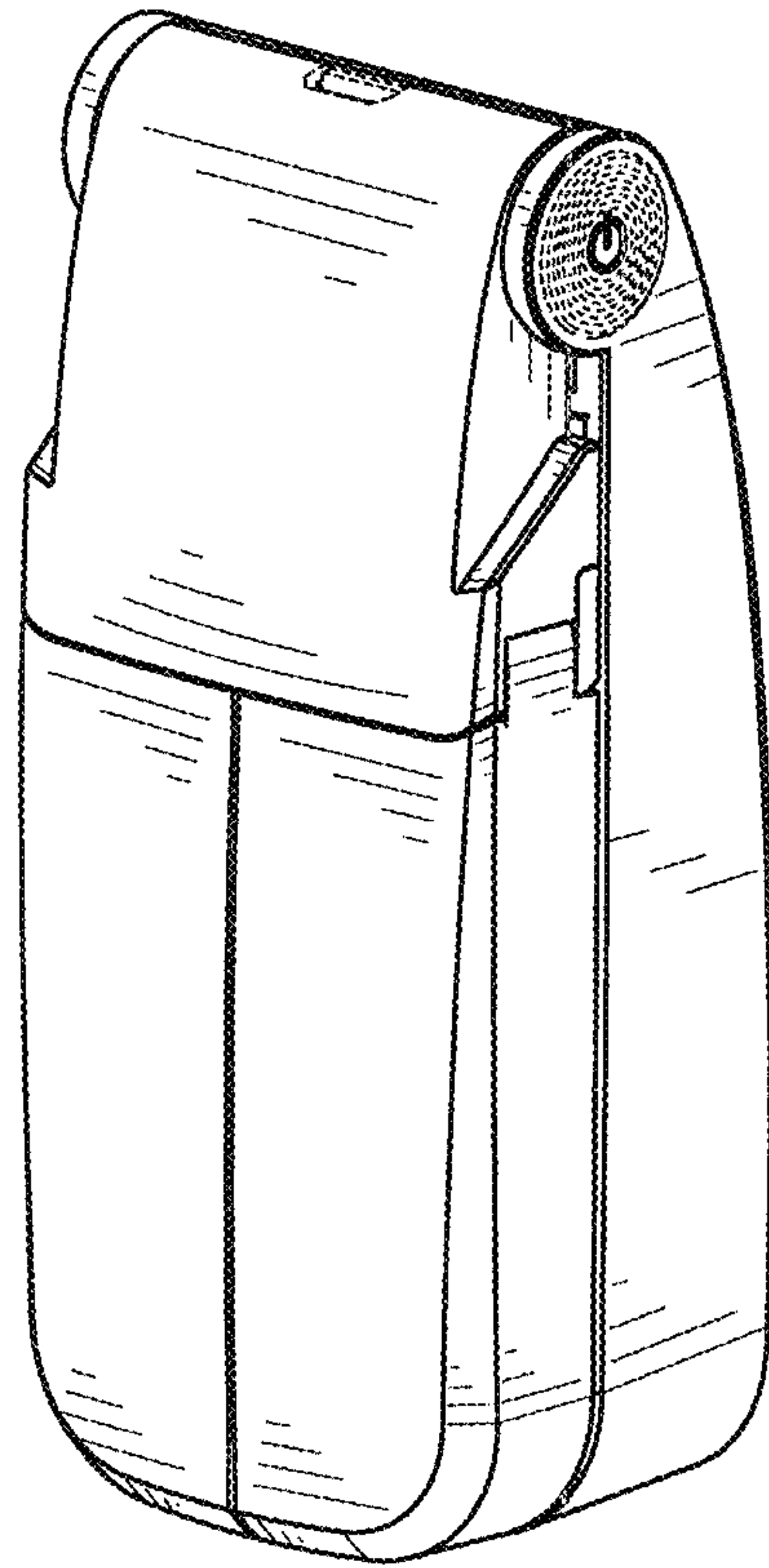


FIG. 11