



US00D901665S

(12) **United States Design Patent**  
**Kunyckyj**

(10) **Patent No.:** **US D901,665 S**

(45) **Date of Patent:** **\*\* \*Nov. 10, 2020**

(54) **OIL AIR FRESHENER MOUNTING BRACKET**

(71) Applicant: **Ashley Louise Kunyckyj**, Canton, MI (US)

(72) Inventor: **Ashley Louise Kunyckyj**, Canton, MI (US)

(\* ) Notice: This patent is subject to a terminal disclaimer.

(\*\*) Term: **15 Years**

(21) Appl. No.: **29/537,645**

(22) Filed: **Aug. 27, 2015**

(51) **LOC (12) Cl.** ..... **28-99**

(52) **U.S. Cl.**  
USPC ..... **D23/368**; D8/349

(58) **Field of Classification Search**  
USPC ..... D23/355-369; D28/5, 6; 261/DIG. 17, 261/DIG. 42, DIG. 47, DIG. 55, DIG. 65, 261/DIG. 70, DIG. 88, DIG. 89; 392/386, 392/389, 394, 395, 403; 239/34, 44, 45, 239/53, 56; D8/349, 354, 373, 381, 363; 248/200  
CPC ... A61L 9/02; A61L 9/03; A61L 9/034; A61L 9/04; A61L 9/12; A61L 9/032; A61L 9/122; A61L 9/127; A61L 9/22  
See application file for complete search history.

(56) **References Cited**

**U.S. PATENT DOCUMENTS**

- 2,719,691 A \* 10/1955 Vance ..... B60R 1/04 248/208
- 3,199,823 A \* 8/1965 Stall ..... A47H 1/122 248/207

- 3,360,075 A \* 12/1967 Gutner ..... A47C 17/86 182/106
- D373,068 S \* 8/1996 Airey ..... D8/349
- D381,338 S \* 7/1997 Johansson ..... D14/253
- D423,328 S \* 4/2000 Burrows ..... D8/354
- 6,908,116 B2 \* 6/2005 Chu ..... F16L 41/12 285/39
- D570,199 S \* 6/2008 Bremmon ..... D8/363
- D586,523 S \* 2/2009 Burns ..... D34/27
- D599,193 S \* 9/2009 Meyer ..... D8/354
- D601,000 S \* 9/2009 Cole ..... D8/349
- D632,160 S \* 2/2011 Ketchersid ..... D8/354
- D649,863 S \* 12/2011 Meyer ..... D8/354
- D671,922 S \* 12/2012 Sexton ..... D14/239
- D699,097 S \* 2/2014 Chung ..... D8/354
- D739,208 S \* 9/2015 Shirley ..... D8/349
- D763,062 S \* 8/2016 Tatem ..... D14/239
- D764,895 S \* 8/2016 White ..... D15/28

\* cited by examiner

*Primary Examiner* — Sandra Snapp

(57) **CLAIM**

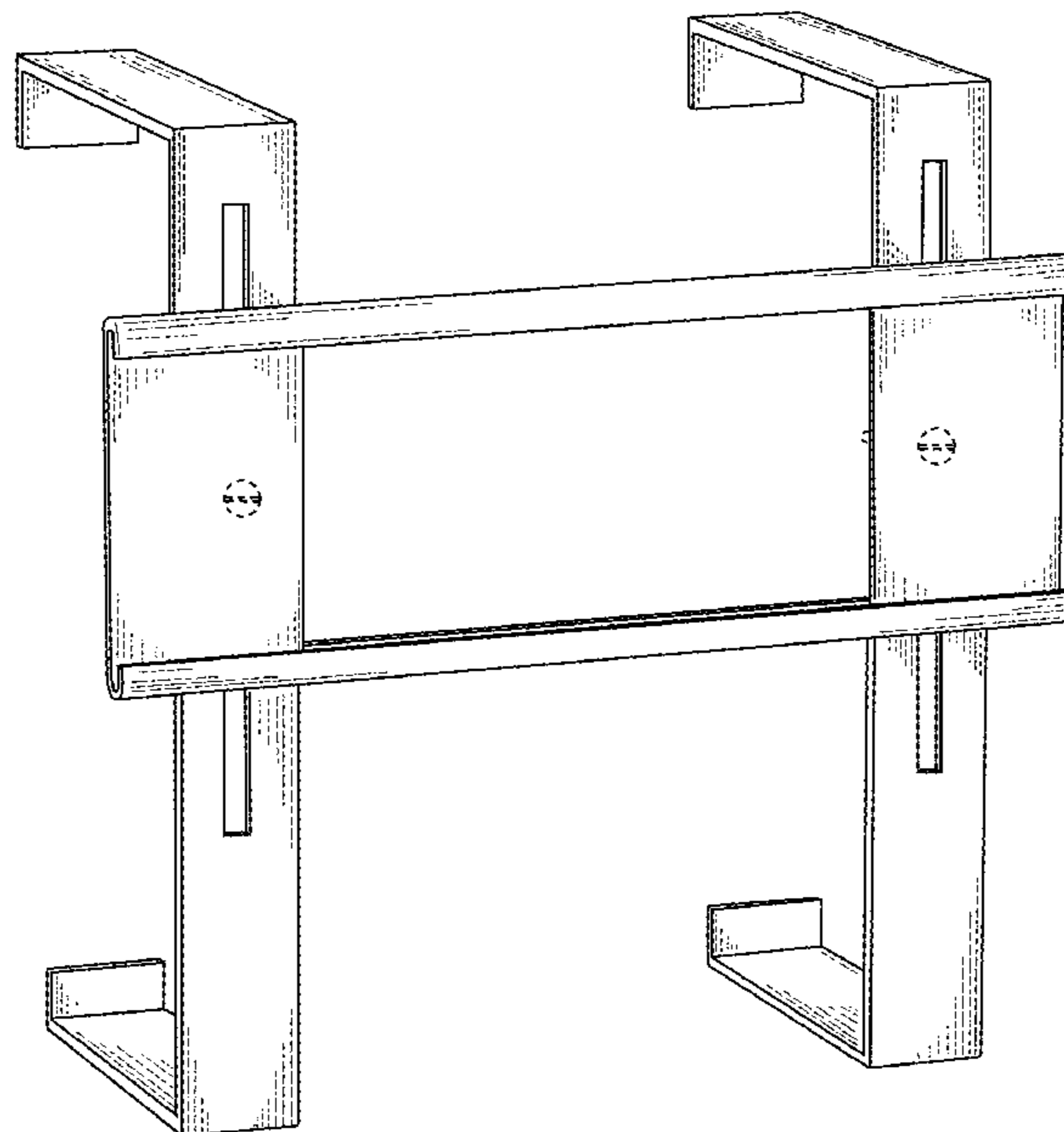
The ornamental design for an oil air freshener mounting bracket, as shown and described.

**DESCRIPTION**

FIG. 1 is a front elevational view of an oil air freshener mounting bracket;  
 FIG. 2 is a right-side elevational view thereof;  
 FIG. 3 is a rear elevational view thereof;  
 FIG. 4 is a left-side elevational view thereof;  
 FIG. 5 is a top plan view thereof;  
 FIG. 6 is a bottom plan view thereof;  
 FIG. 7 is a perspective view thereof; and,  
 FIG. 8 is a rear perspective view thereof.

The broken lines showing of the plurality of screws and the plurality of butterfly screws in FIGS. 1-8 are included for the purpose of showing environmental structure and form no part of the claimed design.

**1 Claim, 8 Drawing Sheets**



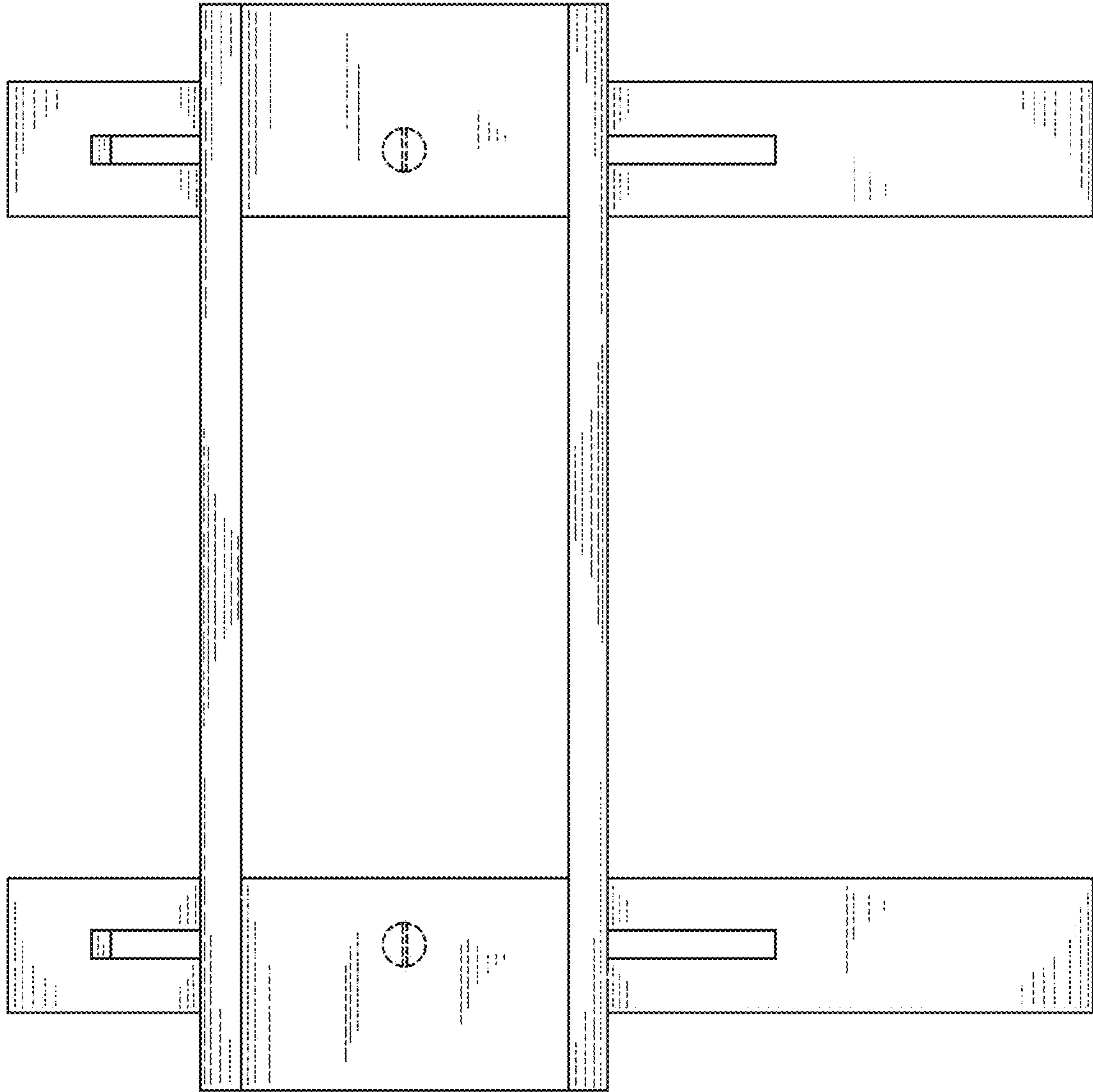


FIG. 1

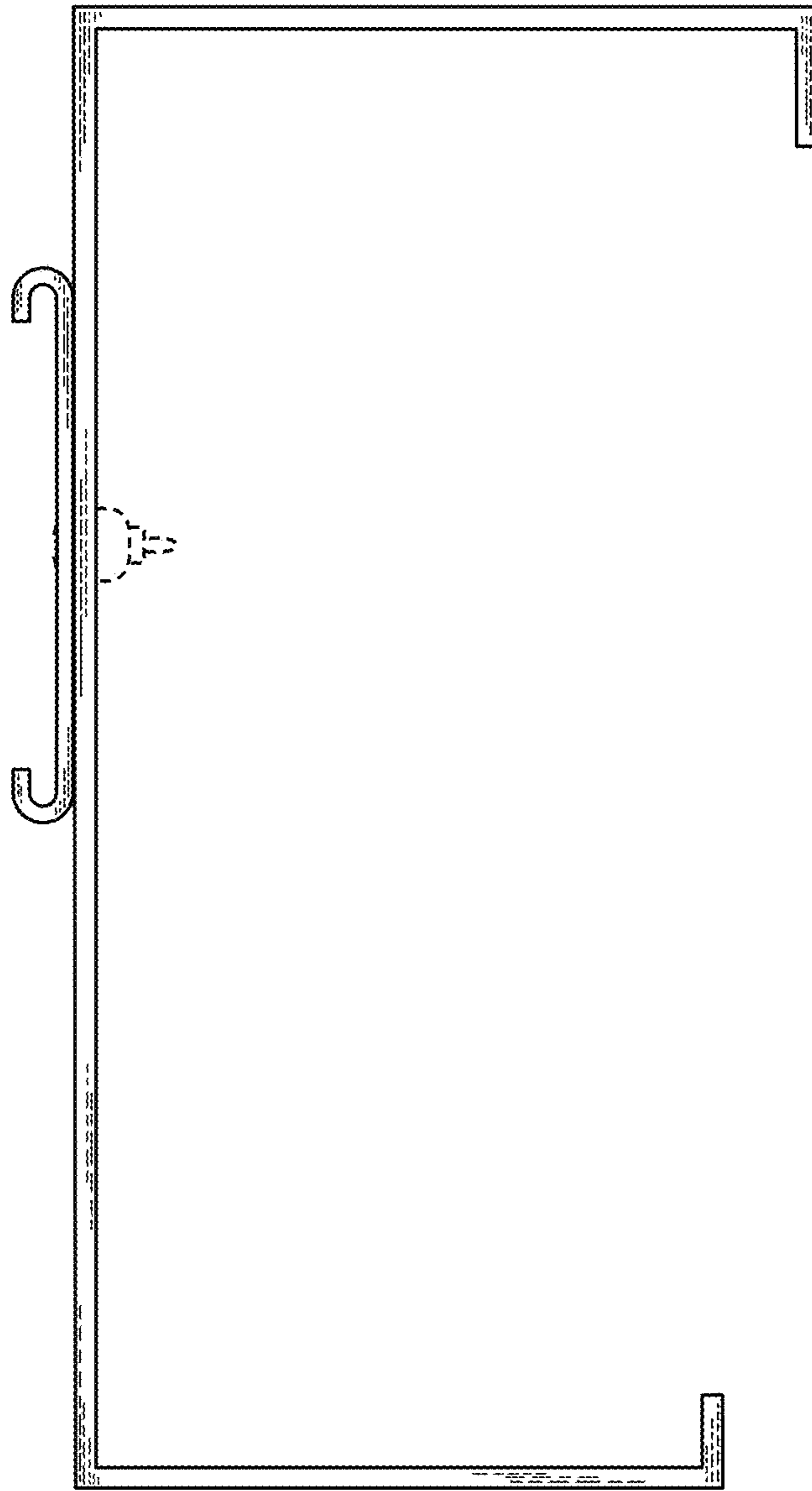


FIG. 2

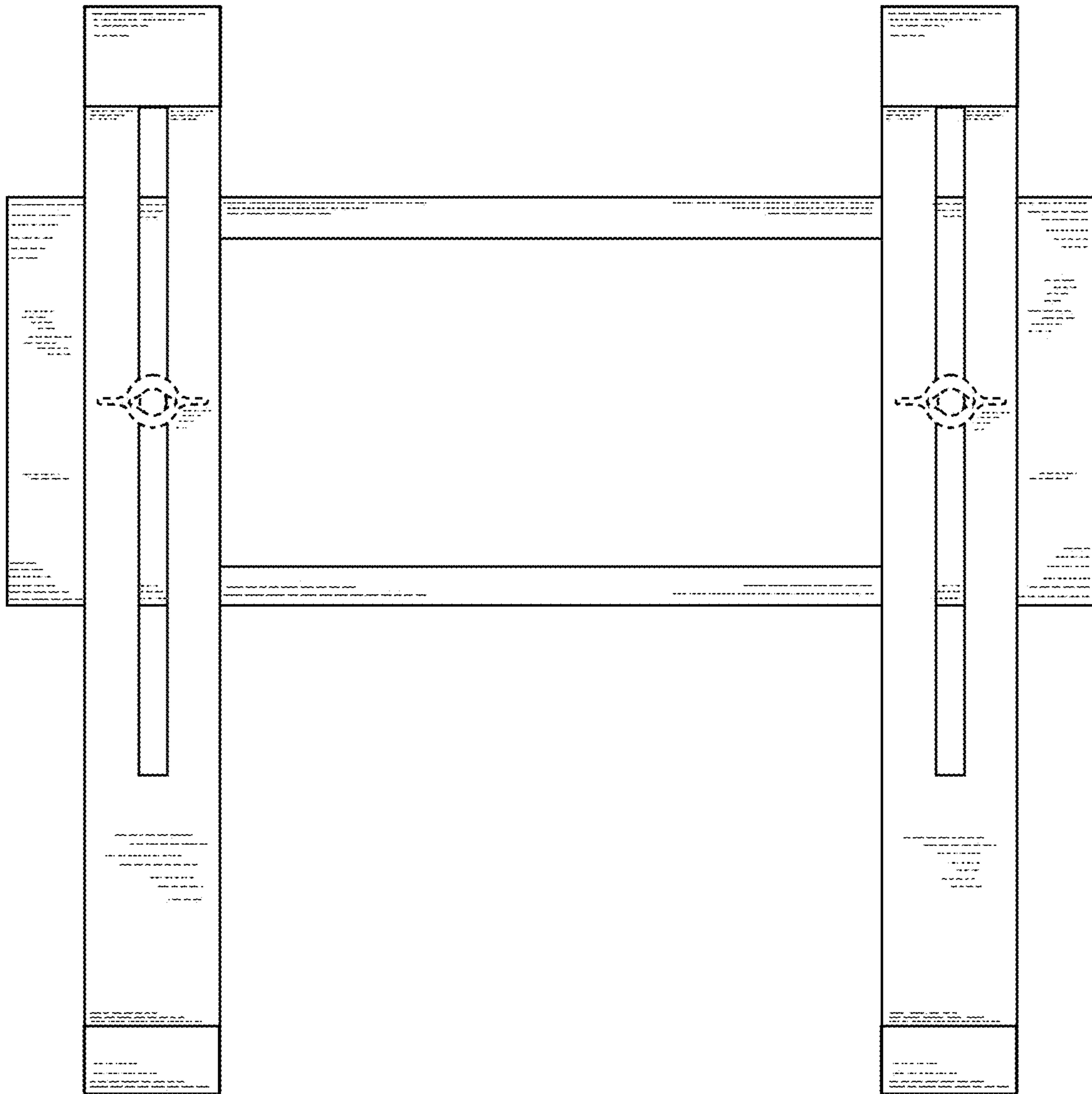


FIG. 3

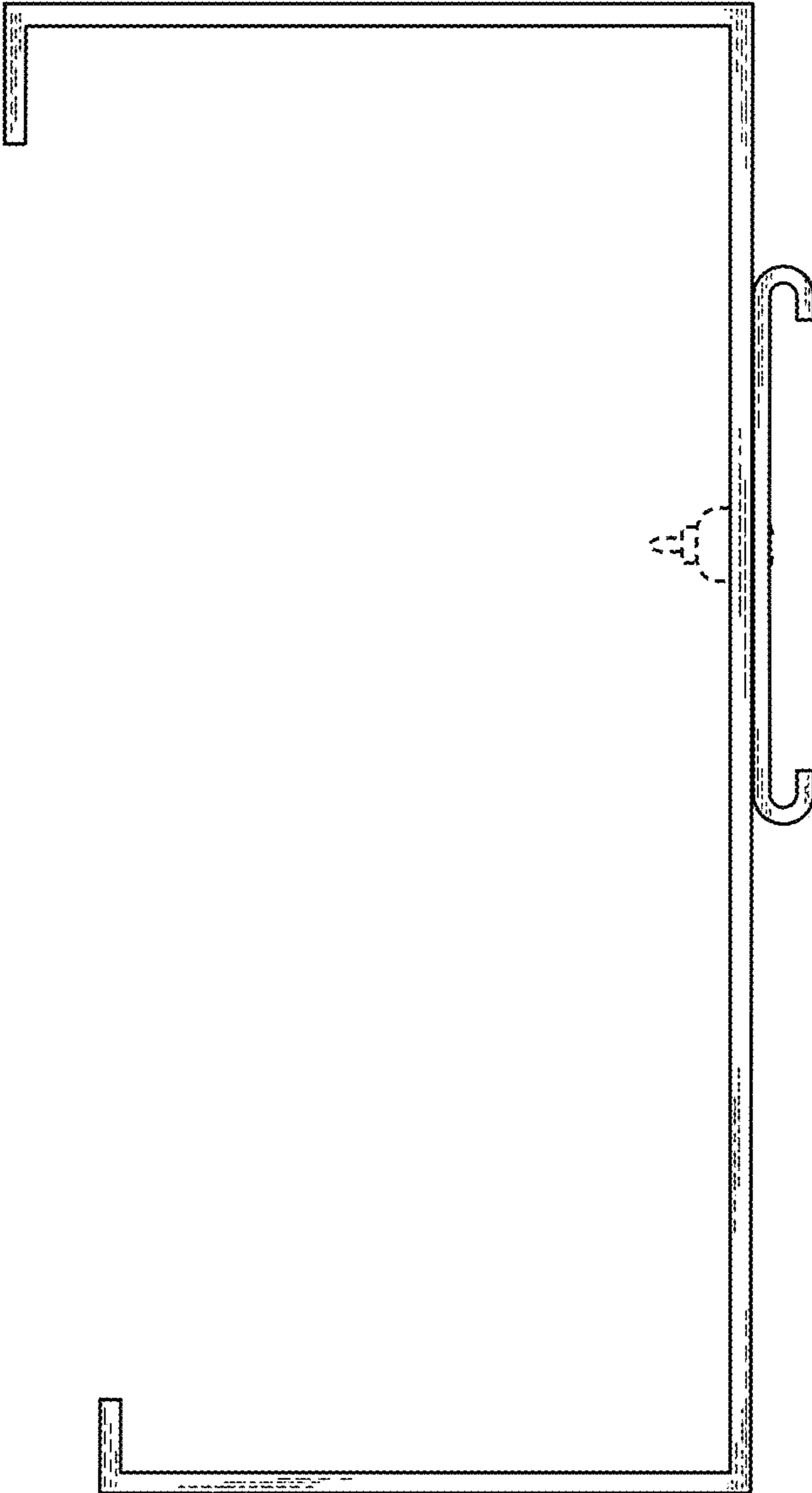


FIG. 4



FIG. 5

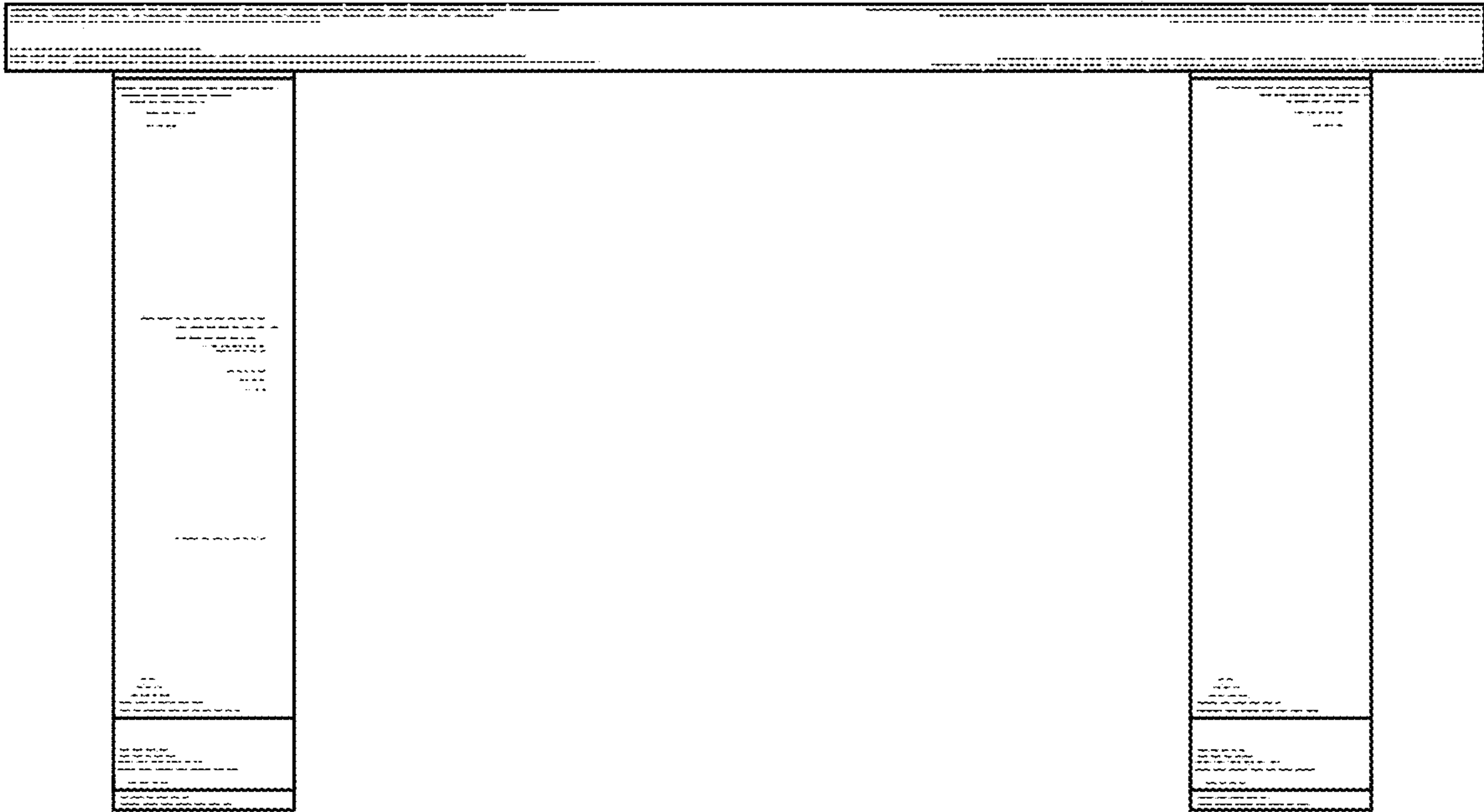


FIG. 6

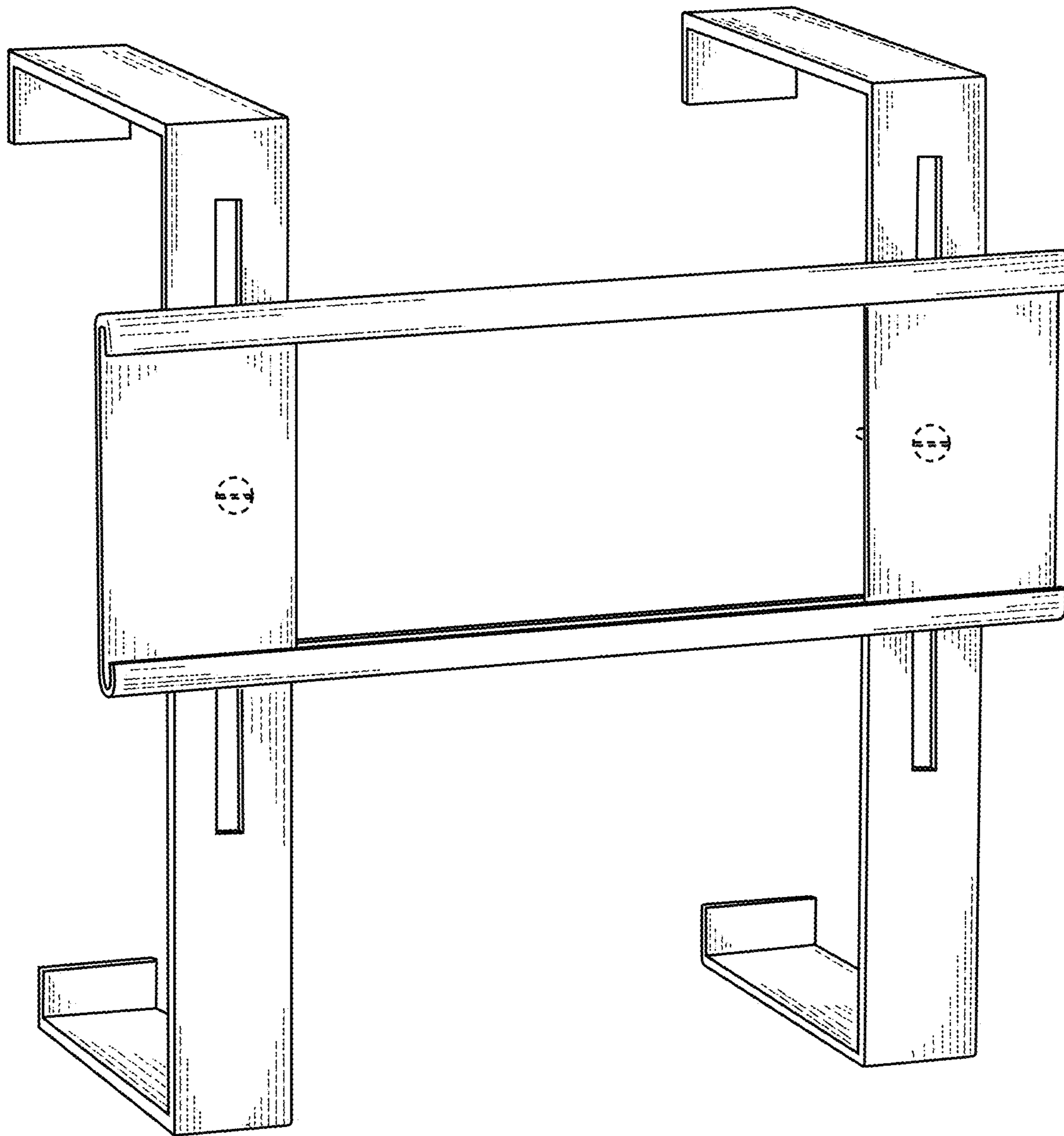


FIG. 7



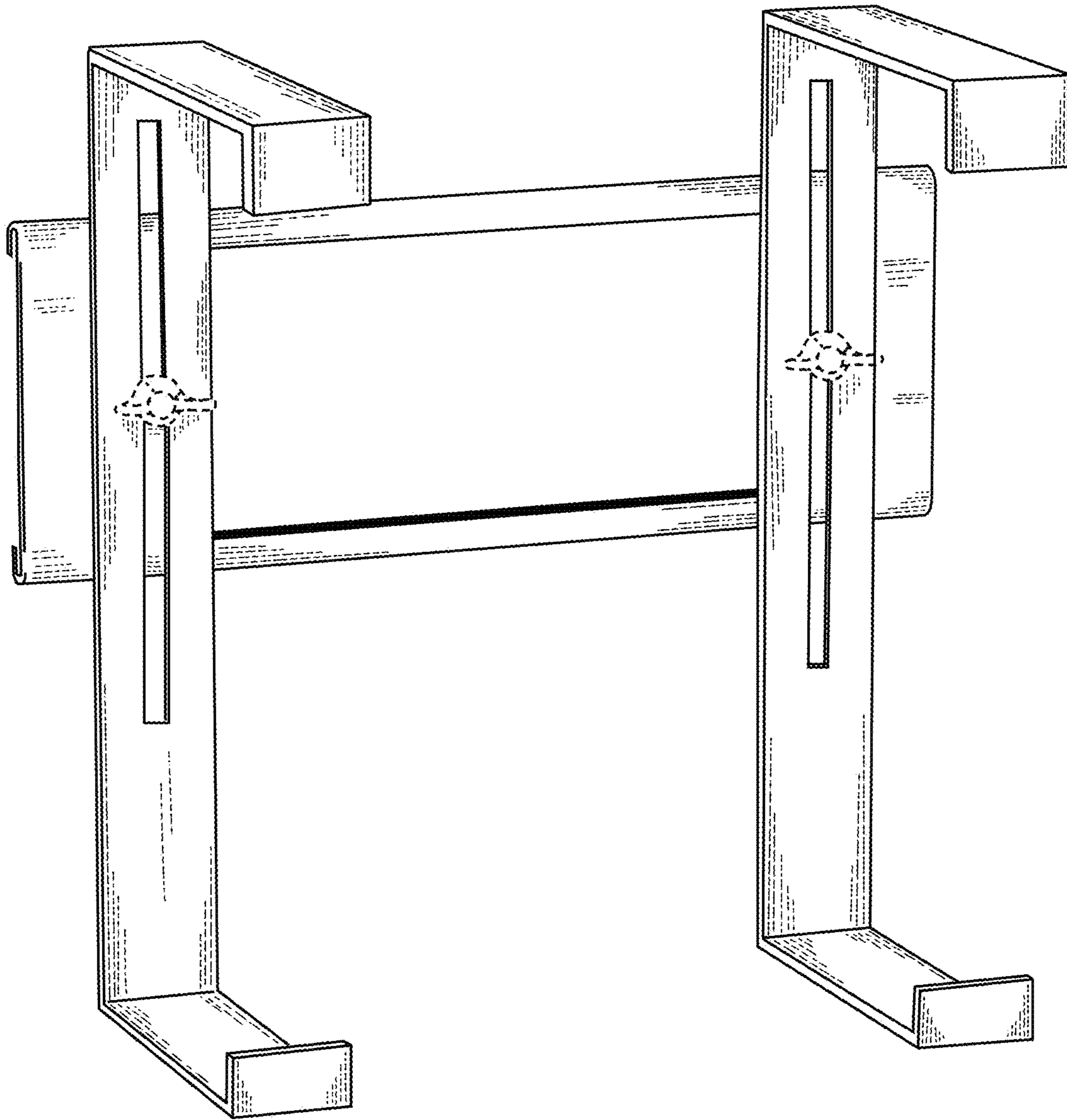


FIG. 8