



US00D901662S

(12) **United States Design Patent** (10) **Patent No.:** **US D901,662 S**  
**Takei** (45) **Date of Patent:** **\*\* Nov. 10, 2020**

(54) **AIR PURIFIER**

(56) **References Cited**

(71) Applicant: **LightAir Holding AB**, Stockholm (SE)

U.S. PATENT DOCUMENTS

(72) Inventor: **Hideharu Takei**, Sai Kung (HK)

D786,414 S *	5/2017	Kim .....	D23/359
D786,415 S *	5/2017	Kim .....	D23/359
D797,272 S *	9/2017	Poindexter .....	D23/364
D807,997 S *	1/2018	Seo .....	D23/364
D827,117 S *	8/2018	Rigbi .....	D23/360
D834,165 S *	11/2018	Maeng .....	D23/364
D835,248 S *	12/2018	Echeverri .....	D23/364
D847,313 S *	4/2019	Shen .....	D23/333
D853,544 S *	7/2019	Vu .....	D23/364
D870,869 S *	12/2019	Bryn-Haugland .....	D23/332
D876,599 S *	2/2020	He .....	D23/364
D886,258 S *	6/2020	Sakamoto .....	D23/332
D886,274 S *	6/2020	Hernandez .....	D23/366

(73) Assignee: **LIGHTAR HOLDING AB**, Stockholm (SE)

(\*\*) Term: **15 Years**

(21) Appl. No.: **29/688,125**

(22) Filed: **Apr. 18, 2019**

(30) **Foreign Application Priority Data**

Jan. 7, 2019 (EM) ..... 005949526

(51) **LOC (12) Cl.** ..... **23-04**

(52) **U.S. Cl.**  
USPC ..... **D23/364**

(58) **Field of Classification Search**  
USPC ..... D23/355-366, 352, 369, 332, 333, 335,  
D23/336, 342, 351; 422/120, 122;  
55/356, 473, 504; 93/97; D14/188, 170,  
D14/171, 172; 261/DIG. 17, DIG. 65,  
261/DIG. 88, DIG. 31; D18/34.6  
CPC .. A61L 9/16; A61L 9/22; B01D 47/00; B01D  
47/027; B01D 2221/02; B01D 2259/4508;  
B03C 3/155; B03C 3/368; F24F 3/16;  
F24F 13/20; F24F 13/28; F24F  
2001/0096

See application file for complete search history.

\* cited by examiner

*Primary Examiner* — David G Muller

(74) *Attorney, Agent, or Firm* — Kilpatrick Townsend & Stockton LLP

(57) **CLAIM**

The ornamental design for an air purifier, as shown and described.

**DESCRIPTION**

FIG. 1 is a perspective front view of an embodiment of an air purifier.

FIG. 2 is a front view of the air purifier of FIG. 1.

FIG. 3 is a rear view of the air purifier of FIG. 1.

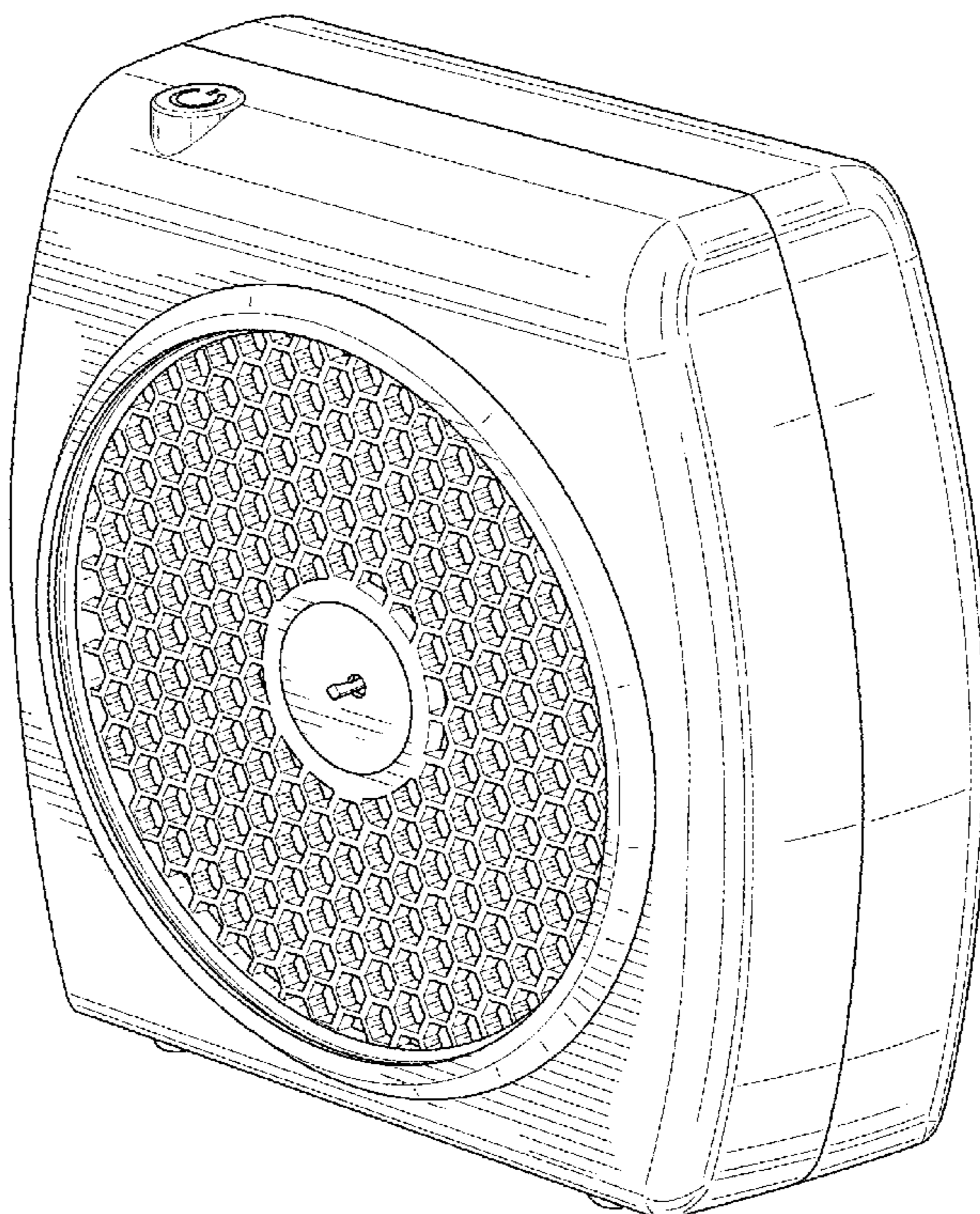
FIG. 4 is a right side view of the air purifier of FIG. 1.

FIG. 5 is a left side view of the air purifier of FIG. 1.

FIG. 6 is a top view of the air purifier of FIG. 1; and,

FIG. 7 is a bottom view of the air purifier of FIG. 1.

**1 Claim, 5 Drawing Sheets**



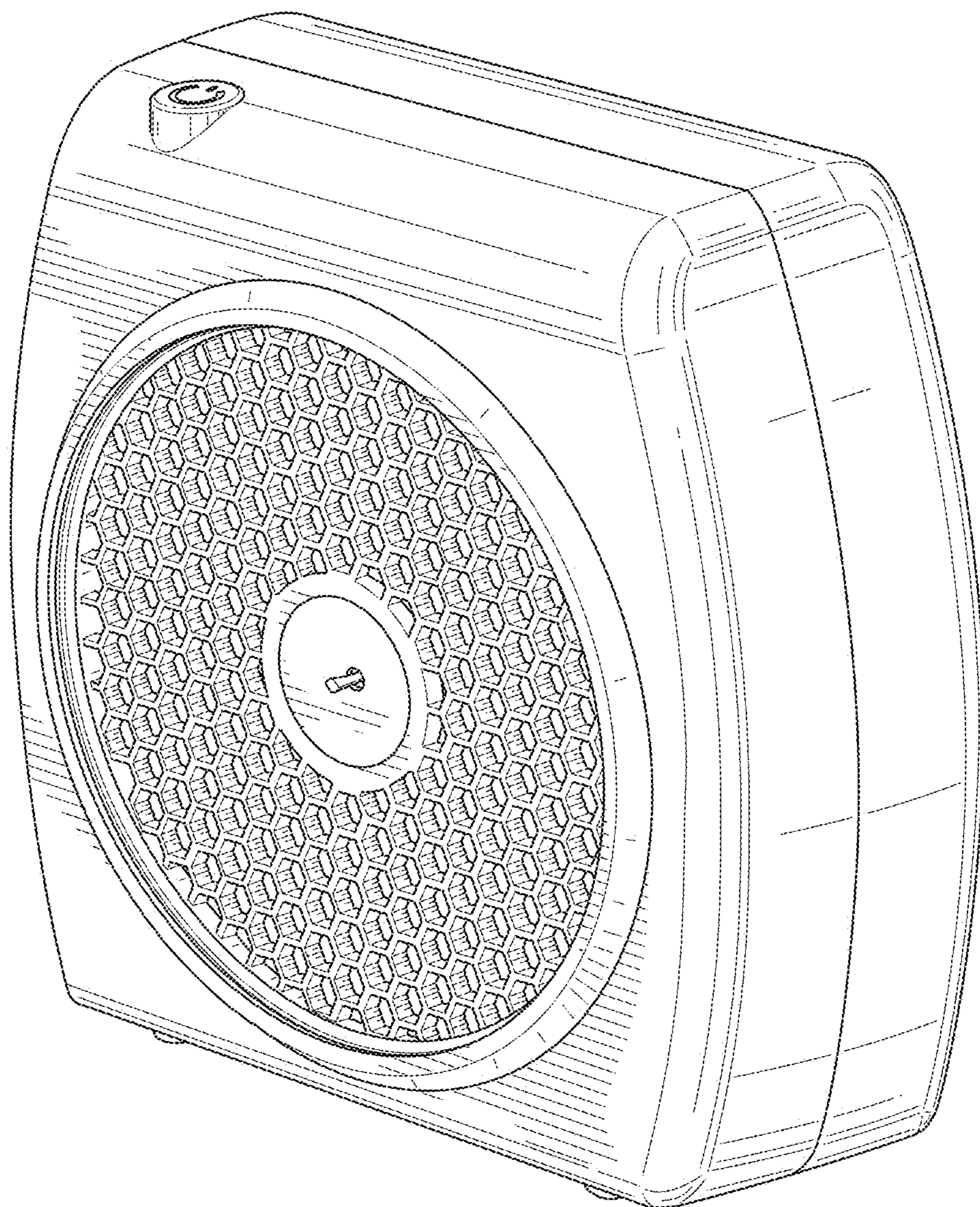


FIG. 1

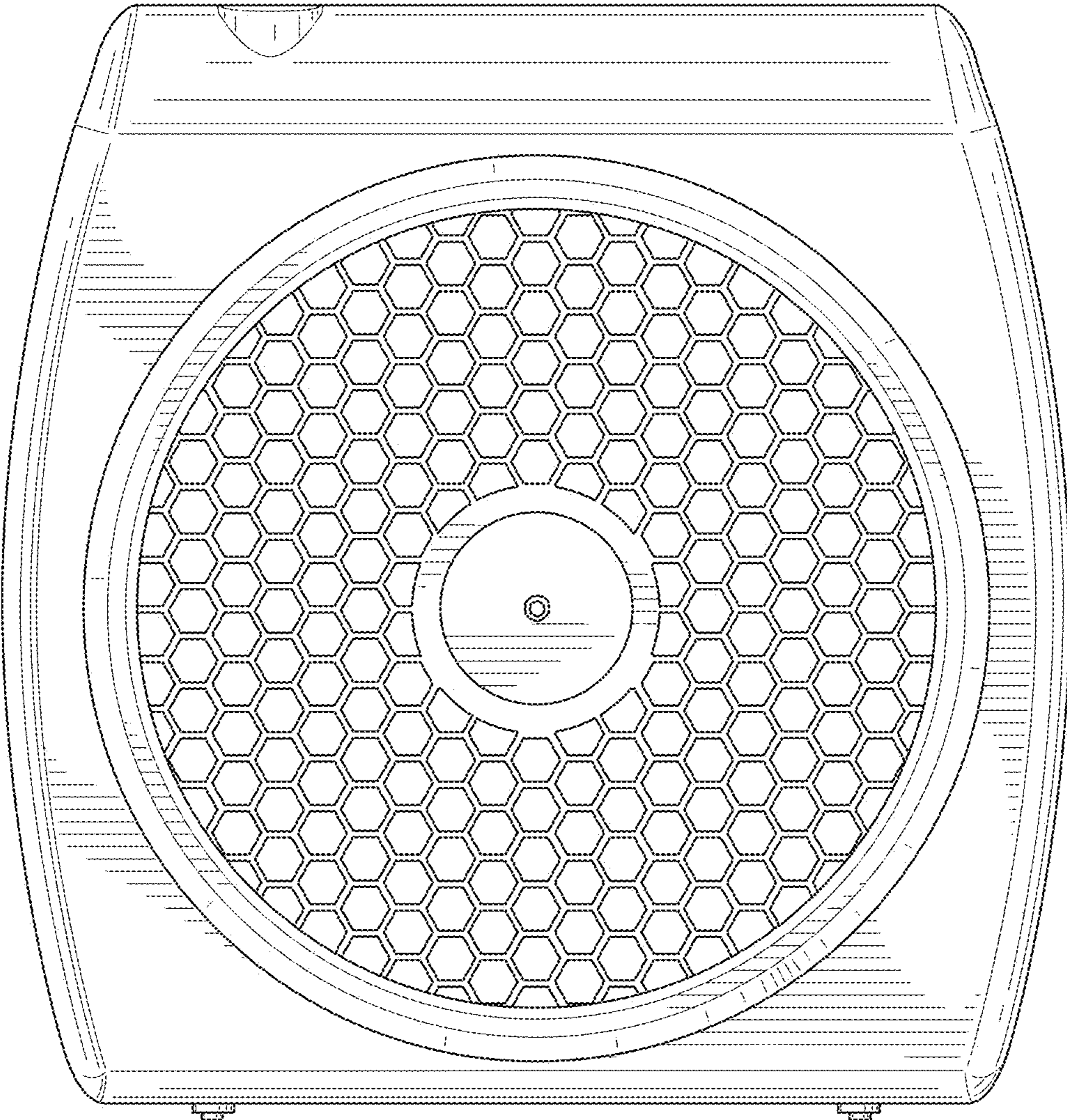


FIG. 2

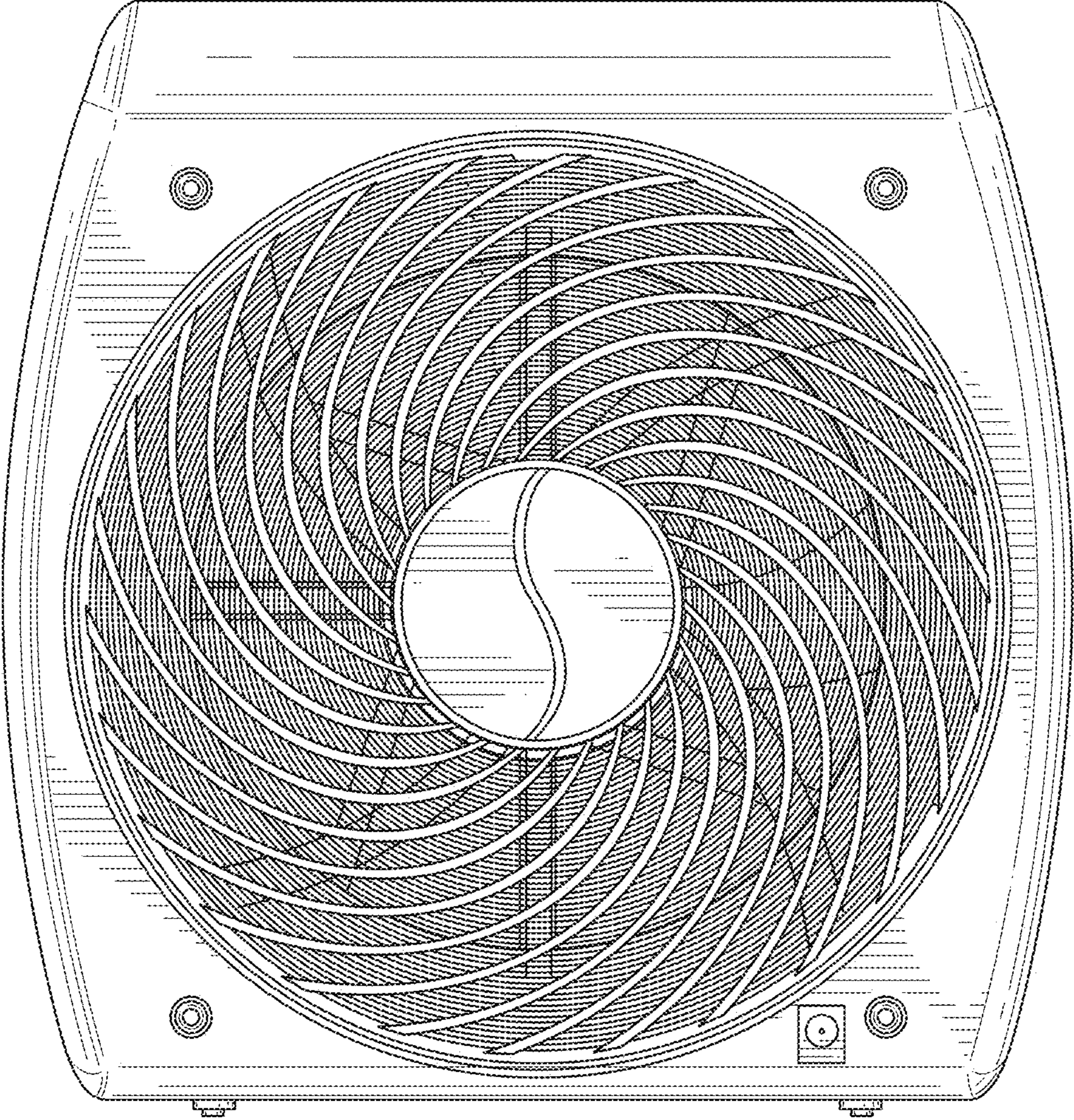


FIG. 3

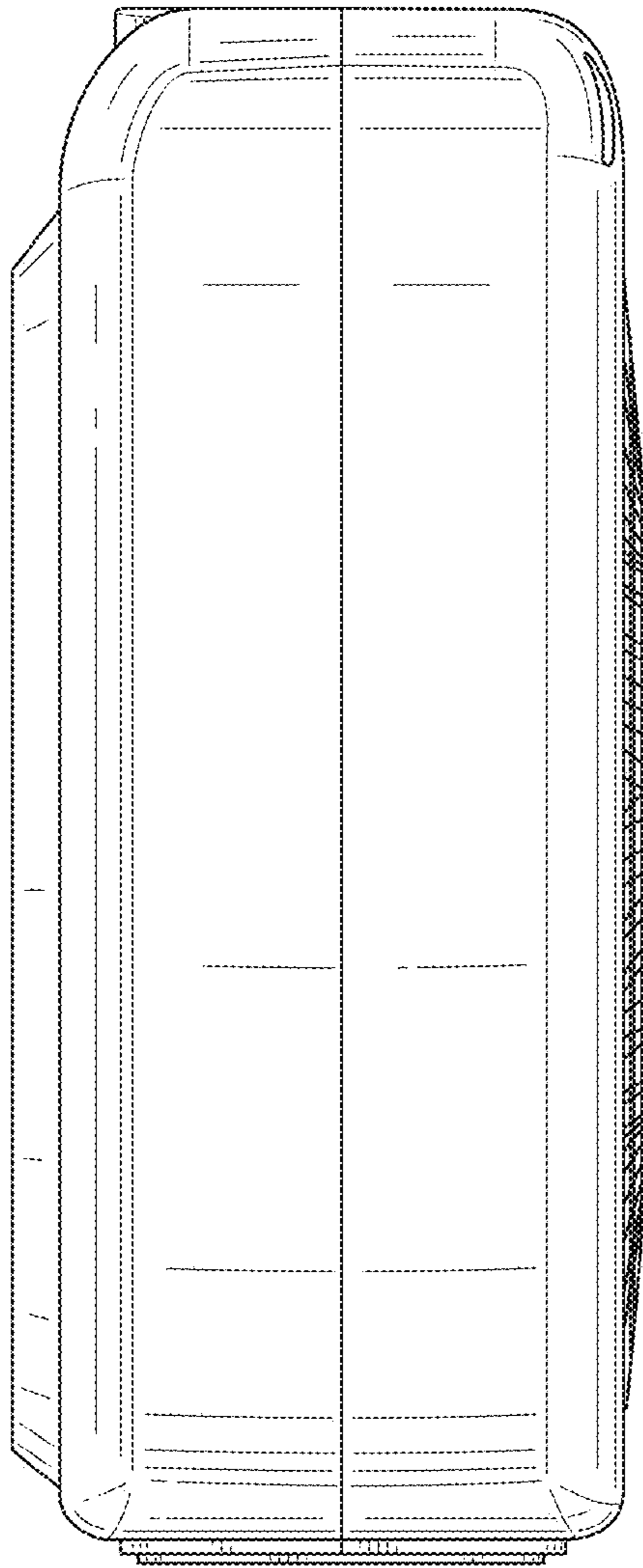


FIG. 4

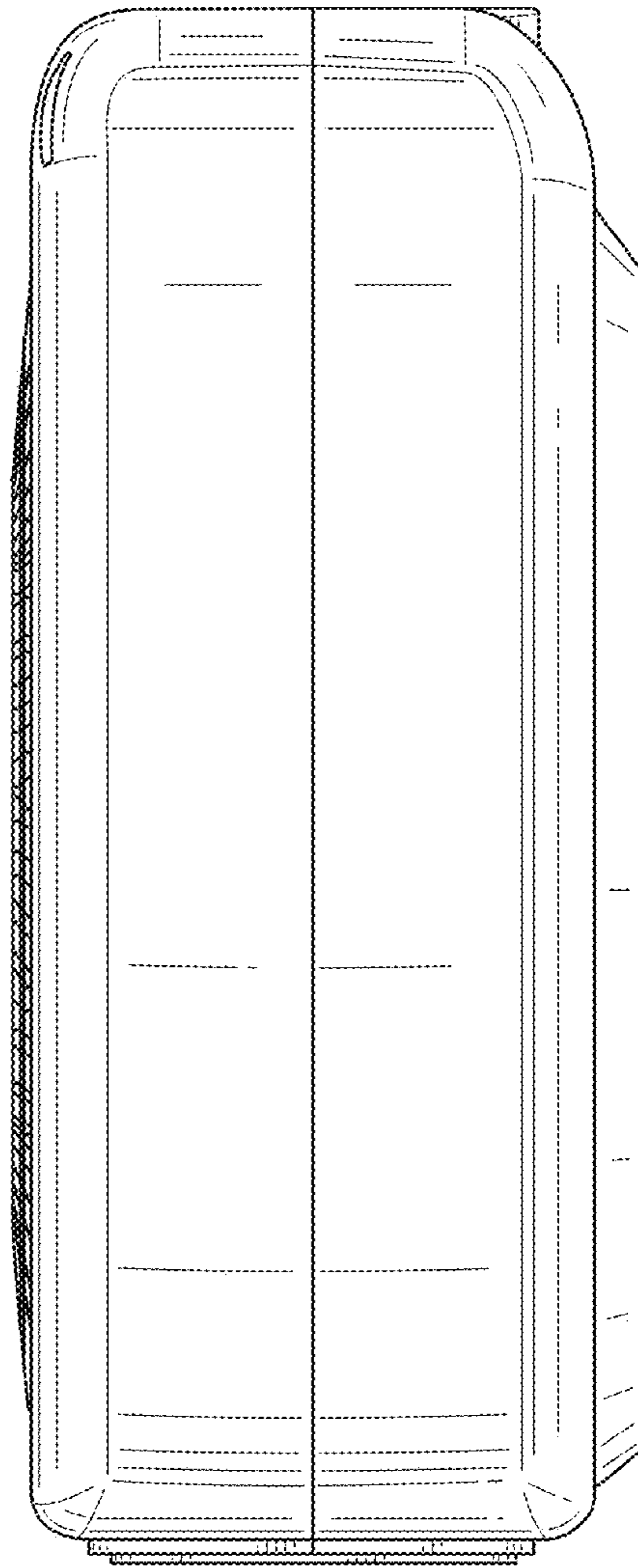


FIG. 5

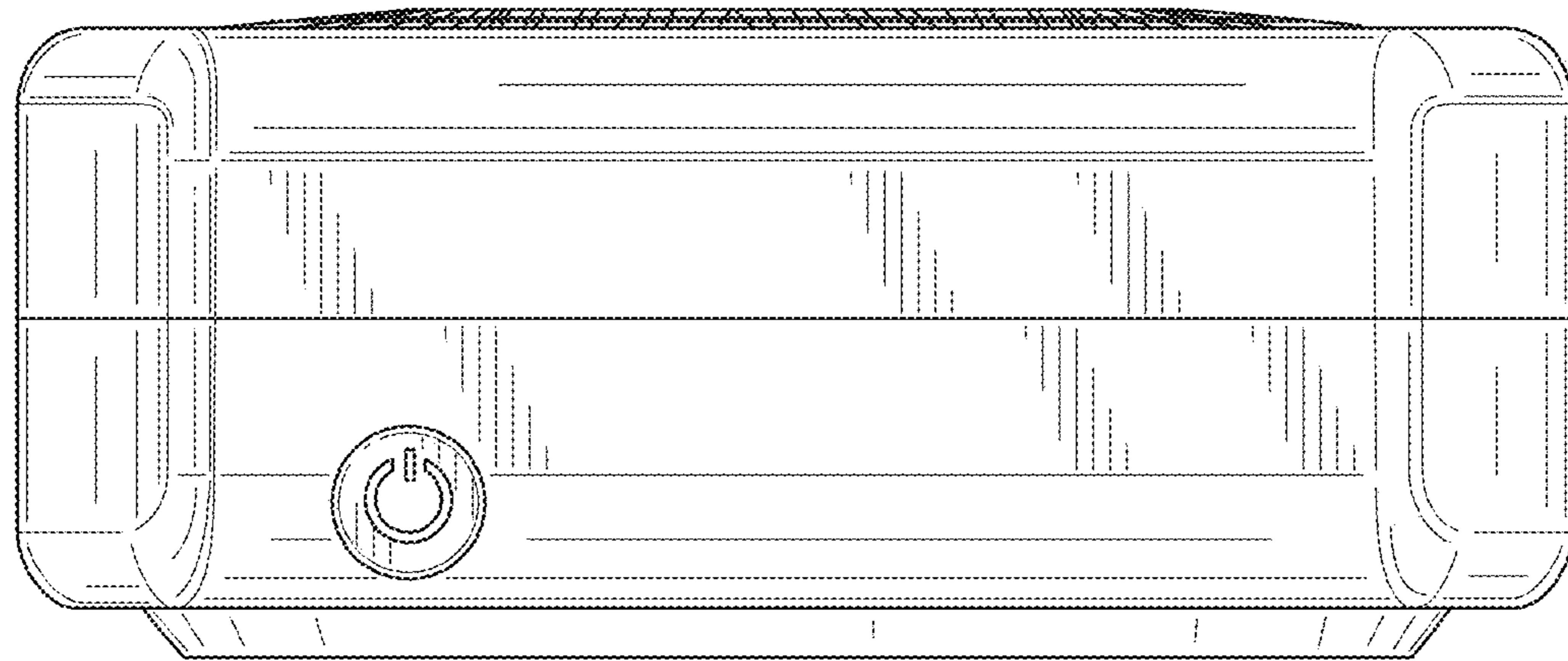


FIG. 6

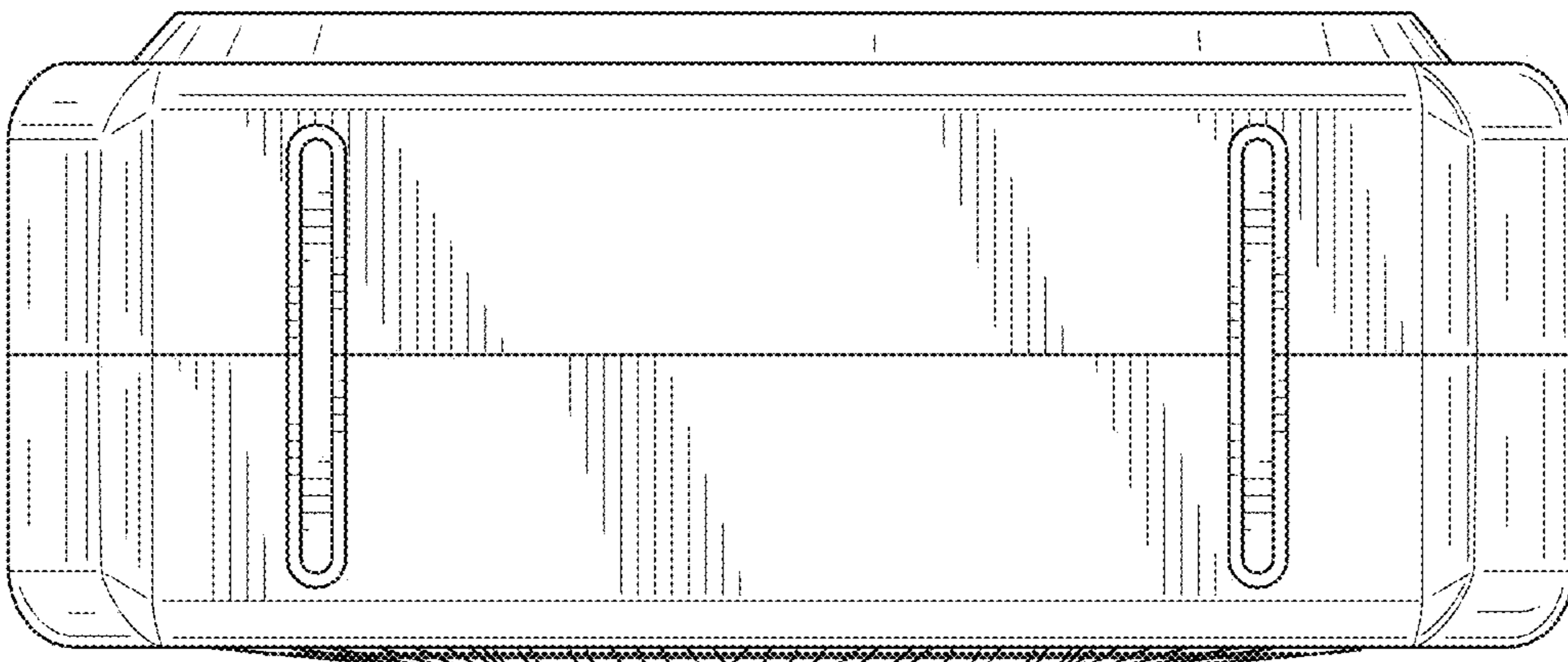


FIG. 7