



US00D901660S

(12) **United States Design Patent** (10) **Patent No.:** **US D901,660 S**
Yuan et al. (45) **Date of Patent:** **** Nov. 10, 2020**

(54) **AIR-CONDITIONING OUTDOOR UNIT**
(71) Applicant: **BEIJING XIAOMI MOBILE SOFTWARE CO., LTD.**, Beijing (CN)
(72) Inventors: **Ziming Yuan**, Beijing (CN); **Mengnan Wang**, Beijing (CN); **Tie Liu**, Beijing (CN)

2006/046; F24F 2110/00; F24F 2110/40; F24F 2110/50; F24F 2110/64; F24F 2120/10; F24F 2140/12; F24F 2140/40; F24F 2140/50; F24F 2221/54; F24F 3/044; F24F 3/0442; F24F 3/0444; F24F 3/08; F24F 5/00; F24F 5/0003; F24F 6/04; F24F 6/16; F24F 7/007; F24F 7/10
See application file for complete search history.

(73) Assignee: **Beijing Xiaomi Mobile Software Co., Ltd.**, Beijing (CN)

(56) **References Cited**

U.S. PATENT DOCUMENTS

(**) Term: **15 Years**

D493,215 S * 7/2004 Asaoka D23/351
D553,725 S * 10/2007 Shimizu D23/351
D559,973 S * 1/2008 Rabito D23/412

(21) Appl. No.: **35/507,237**

(Continued)

(22) Filed: **Sep. 29, 2018**

Primary Examiner — Khawaja Anwar

(80) **Hague Agreement Data**

Int. Filing Date: **Sep. 29, 2018**
Int. Reg. No.: **DM/202219**
Int. Reg. Date: **Sep. 29, 2018**
Int. Reg. Pub. Date: **Aug. 16, 2019**

(74) *Attorney, Agent, or Firm* — Dickinson Wright PLLC

(30) **Foreign Application Priority Data**

Mar. 29, 2018 (CN) 2018 3 0120788

(51) **LOC (12) Cl.** **23-03**

(52) **U.S. Cl.**
USPC **D23/351**

(58) **Field of Classification Search**
USPC D23/333, 335, 341, 342, 351, 353, 354, D23/355, 356, 359, 364, 365, 370, 385, D23/386, 388, 393
CPC .. F24F 11/30; F24F 11/52; F24F 11/46; F24F 11/83; F24F 2110/10; F24F 3/14; F24F 11/0001; F24F 11/54; F24F 11/56; F24F 11/58; F24F 11/62; F24F 11/64; F24F 11/66; F24F 11/70; F24F 11/72; F24F 11/74; F24F 11/76; F24F 11/77; F24F 11/84; F24F 11/85; F24F 11/86; F24F 11/89; F24F 13/20; F24F 13/28; F24F 1/022; F24F 1/38; F24F 2006/008; F24F

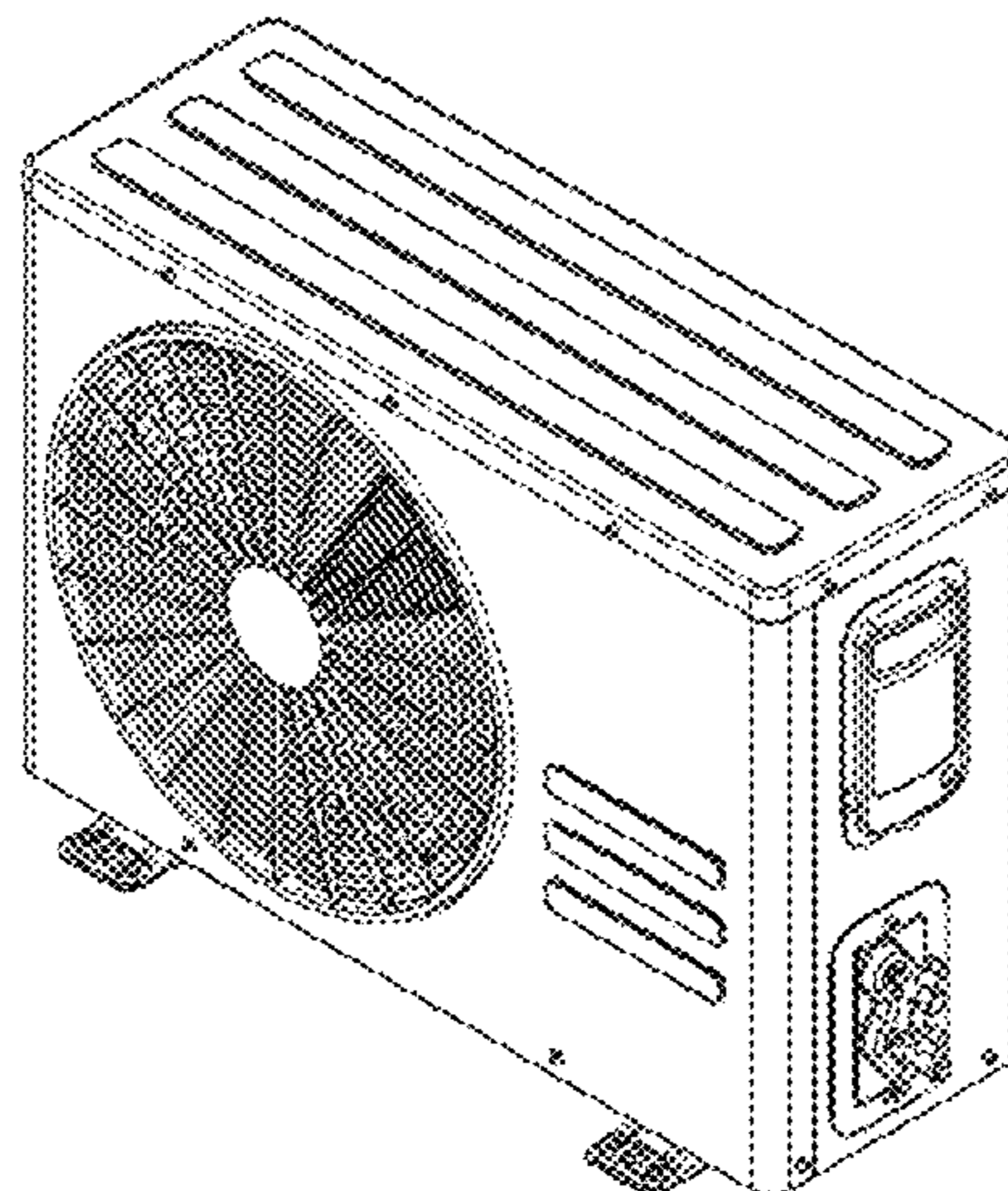
(57) **CLAIM**

The ornamental design for an air-conditioning outdoor unit, as shown and described.

DESCRIPTION

1. Air-conditioning outdoor unit
1.1 : Front
1.2 : Back
1.3 : Left
1.4 : Right
1.5 : Top
1.6 : Bottom
1.7 : Perspective
1.1 is a front elevation view of an air-conditioning outdoor unit showing our new design; 1.2 is a back elevation view thereof; 1.3 is a left side elevation view thereof; 1.4 is a right side elevation view thereof; 1.5 is a top plan view thereof; 1.6 is a bottom plan view thereof; and 1.7 is a perspective view thereof.

(Continued)



The broken lines in FIGS. 1.1-1.7 depict portions of the air-conditioning outdoor unit that form no part of the claimed design.

1 Claim, 5 Drawing Sheets

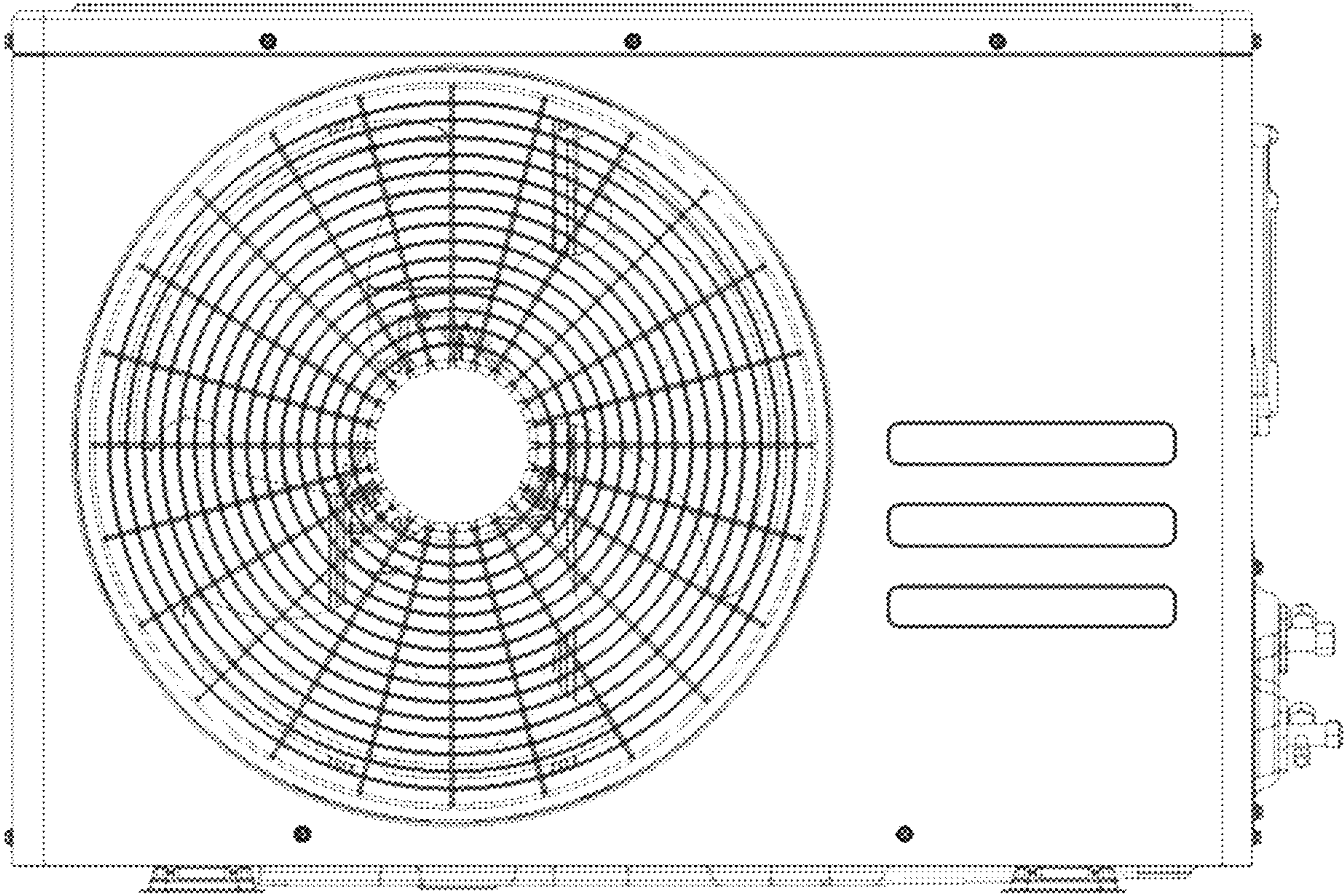
(56) **References Cited**

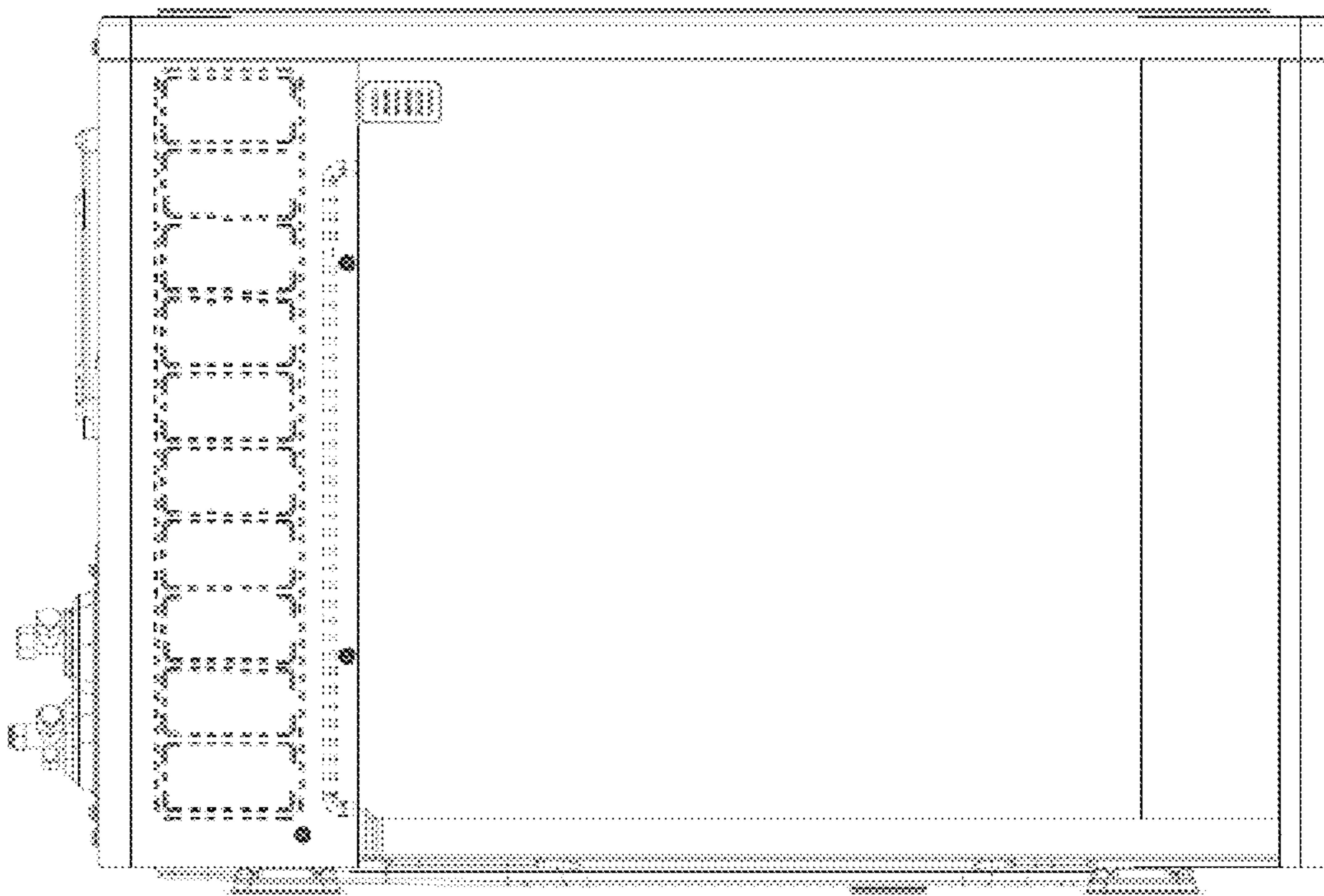
U.S. PATENT DOCUMENTS

D579,536 S	*	10/2008	Oh	D23/351
D693,451 S	*	11/2013	McKeage	D23/370
D701,298 S	*	3/2014	Daisaku	D23/370
D715,909 S	*	10/2014	Shiota	D23/351
D758,309 S	*	6/2016	Terada	D13/112
D761,948 S	*	7/2016	Schler	D23/370
D790,052 S	*	6/2017	Ha	D23/370
D791,295 S	*	7/2017	Wetzel	D23/351
D799,018 S	*	10/2017	Kim	D23/366
D815,723 S	*	4/2018	Spiegel	D23/370
D829,878 S	*	10/2018	Sallander	D23/370
D857,184 S	*	8/2019	Surmont	D23/351

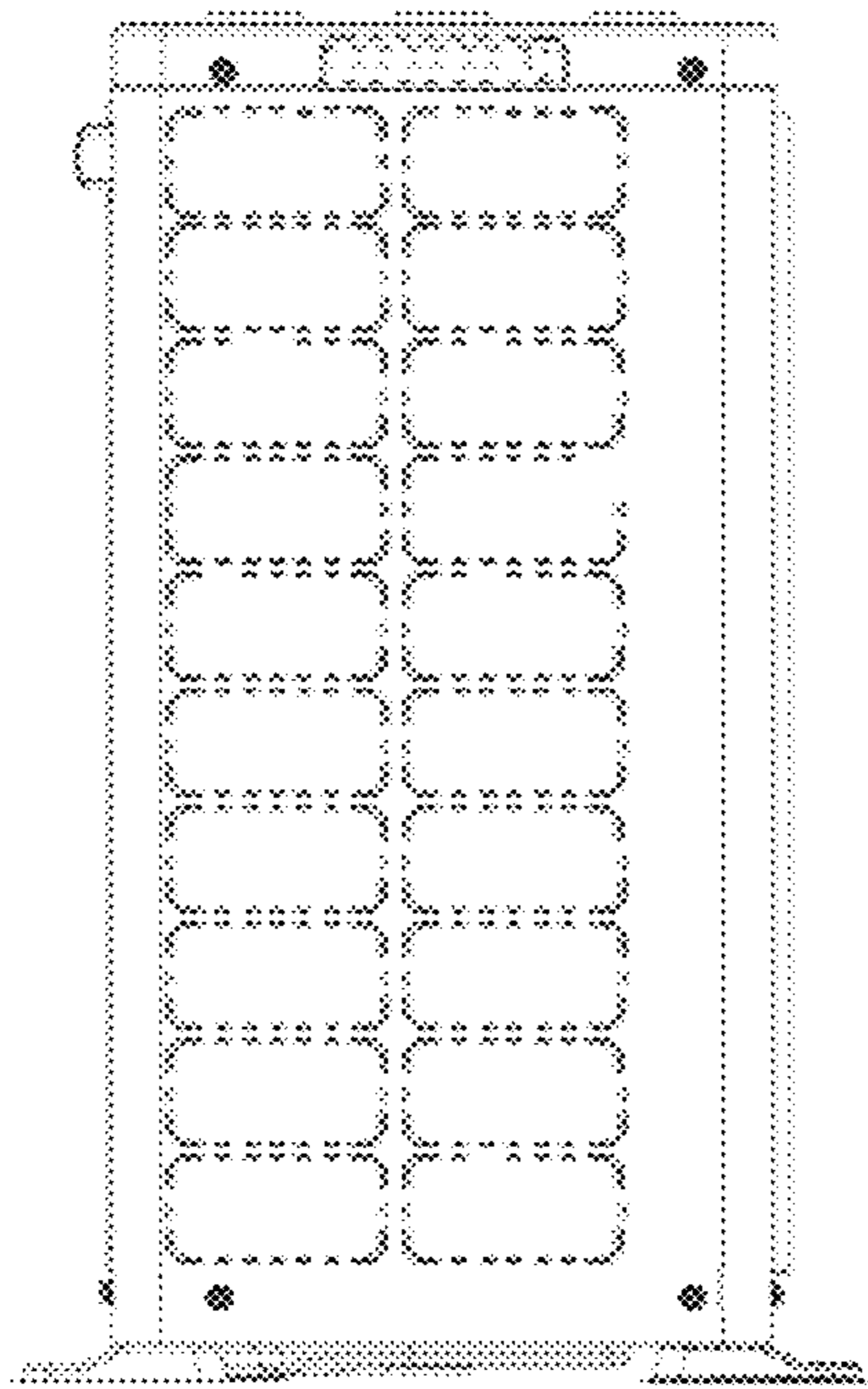
* cited by examiner

1.1

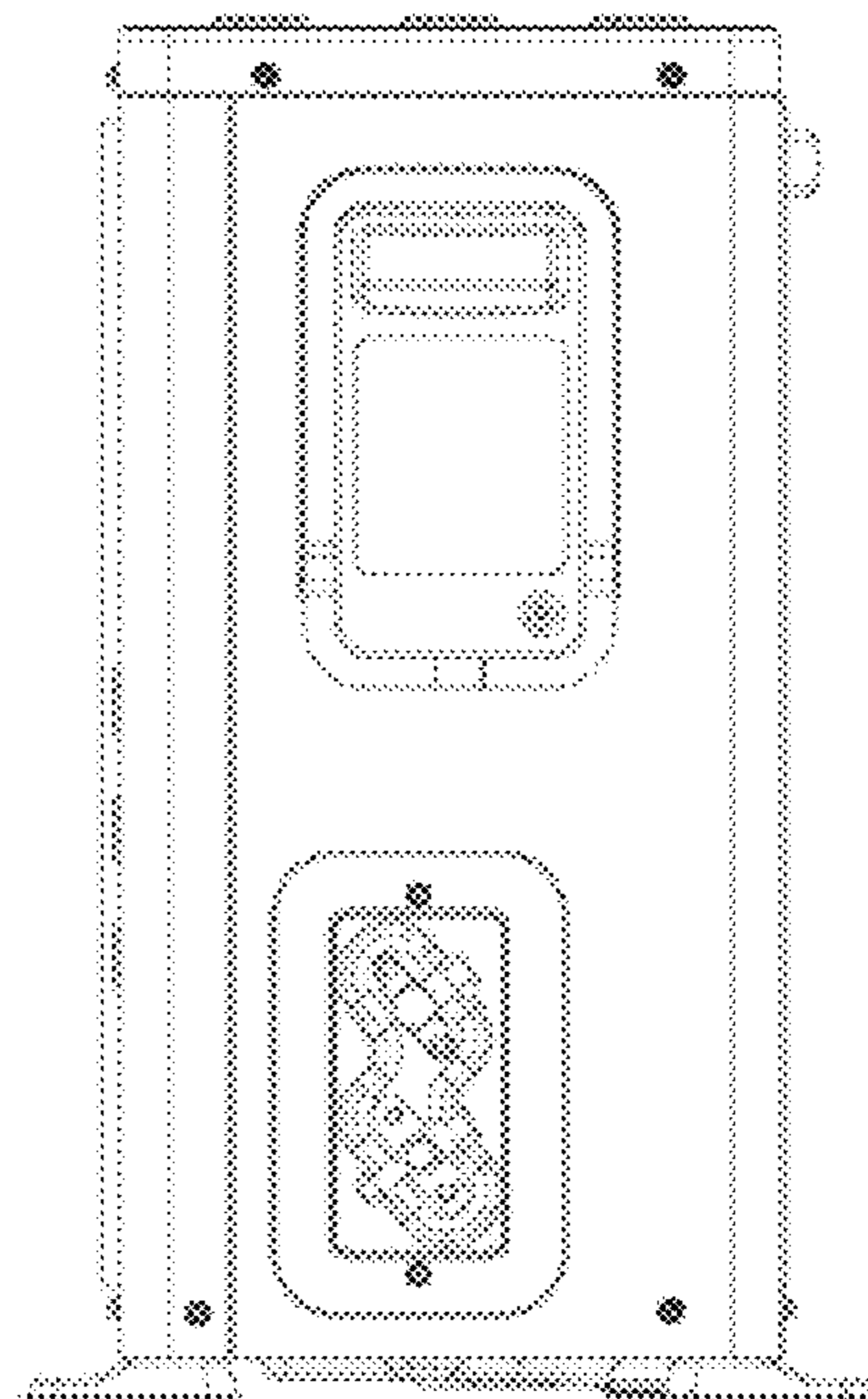




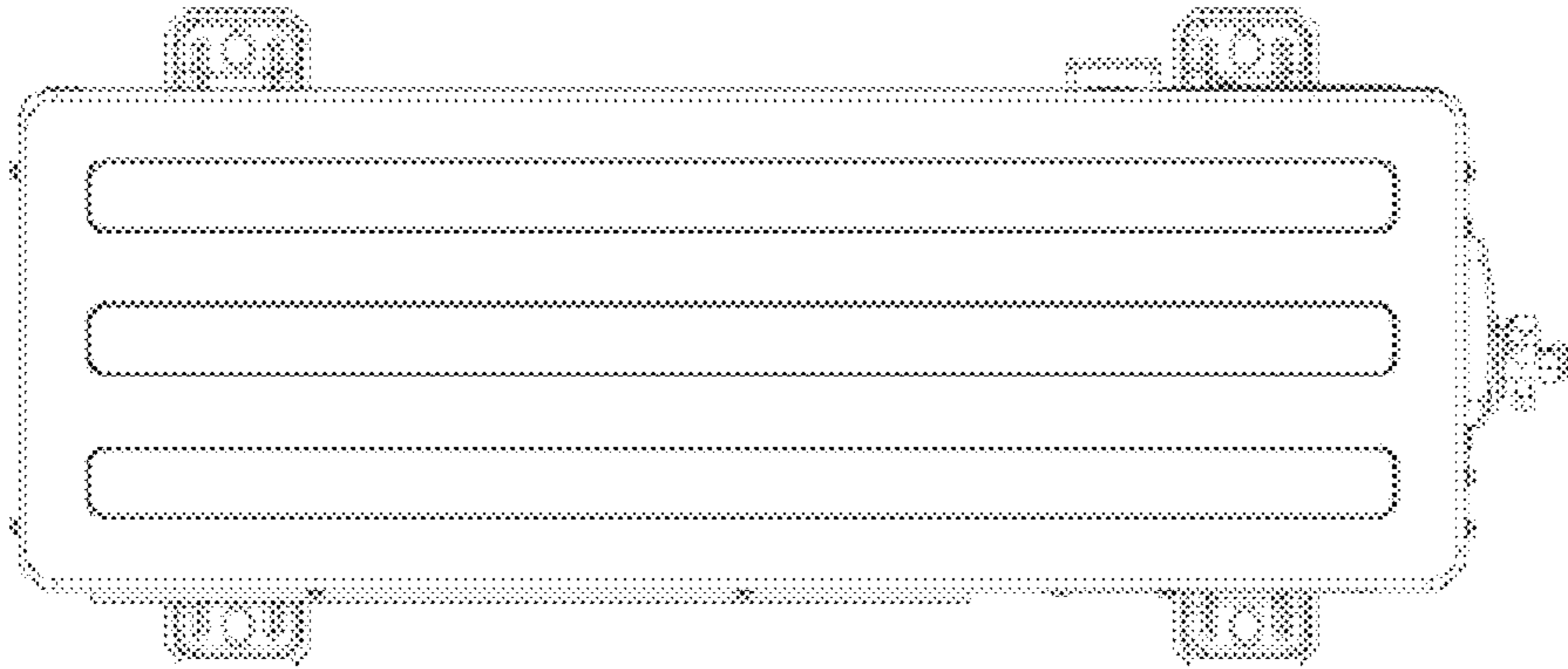
1.2



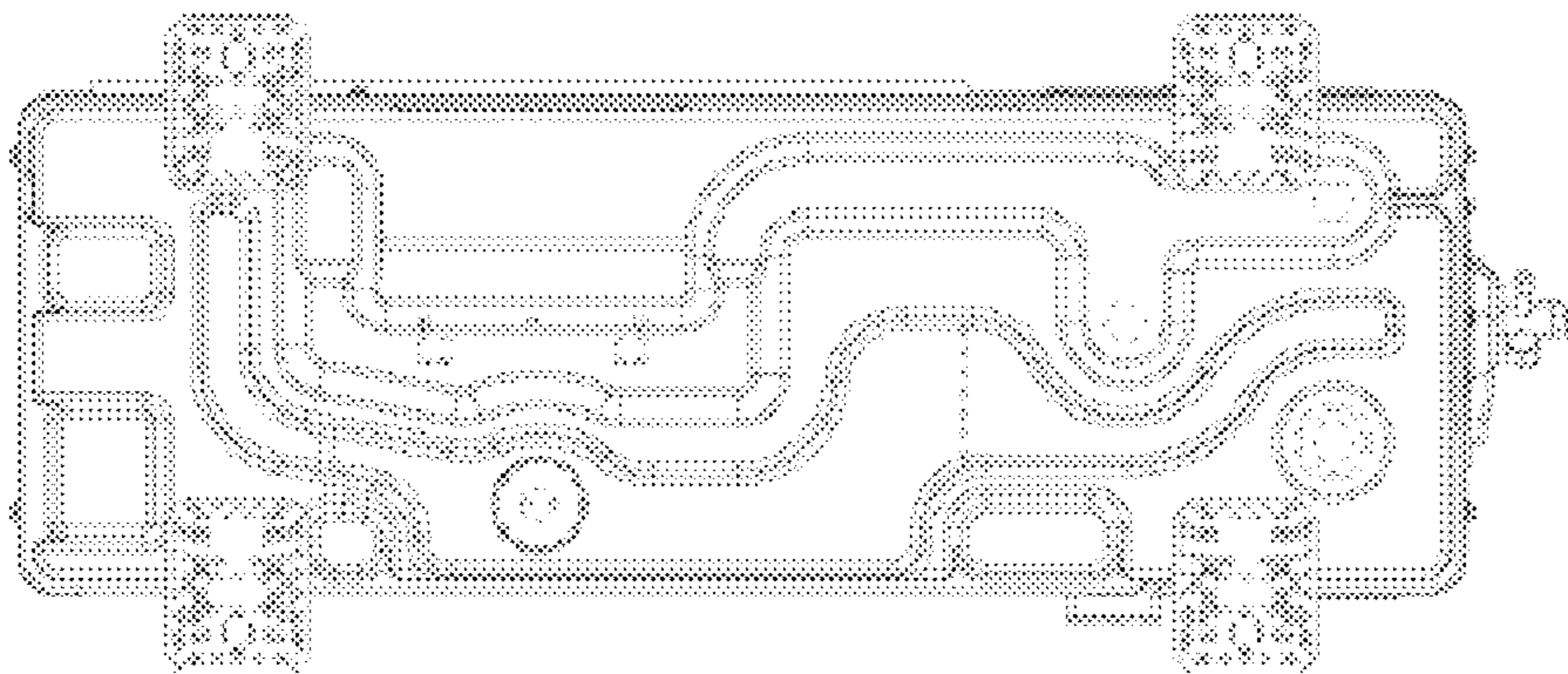
1.3



1.4



1.5



1.6

1.7

