



US00D901659S

(12) **United States Design Patent** (10) **Patent No.:** **US D901,659 S**
Yuan et al. (45) **Date of Patent:** **** Nov. 10, 2020**

(54) **AIR CONDITIONER**

FOREIGN PATENT DOCUMENTS

(71) Applicant: **BEIJING XIAOMI MOBILE SOFTWARE CO., LTD.**, Beijing (CN)

CN 301411531 S 12/2010
CN 302011770 S 7/2012

(72) Inventors: **Ziming Yuan**, Beijing (CN); **Mengnan Wang**, Beijing (CN); **Tie Liu**, Beijing (CN)

(Continued)

(73) Assignee: **BEIJING XIAOMI MOBILE SOFTWARE CO., LTD.**, Beijing (CN)

OTHER PUBLICATIONS

(**) Term: **15 Years**

Patent Right Evaluation Report dated Jul. 10, 2020 in connection with Chinese Application No. ZL201830120837.9.

(21) Appl. No.: **35/507,236**

Primary Examiner — Khawaja Anwar

(22) Filed: **Sep. 29, 2018**

(74) *Attorney, Agent, or Firm* — Amster, Rothstein & Ebenstein LLP

(80) **Hague Agreement Data**

Int. Filing Date: **Sep. 29, 2018**
Int. Reg. No.: **DM/202218**
Int. Reg. Date: **Sep. 29, 2018**
Int. Reg. Pub. Date: **Aug. 16, 2019**

(57) **CLAIM**

(30) **Foreign Application Priority Data**

Mar. 29, 2018 (CN) 2018 3 0120837

The ornamental design for an air conditioner, as shown and described.

(51) **LOC (12) Cl.** **23-03**

DESCRIPTION

(52) **U.S. Cl.**
USPC **D23/351**

(58) **Field of Classification Search**
USPC D23/333, 335, 341, 342, 351, 353, 354,
D23/355, 356, 359, 364, 365, 370, 385,
D23/386, 388, 393

CPC .. F24F 11/30; F24F 11/52; F24F 11/46; F24F 11/83; F24F 2110/10; F24F 3/14; F24F 11/0001; F24F 11/54; F24F 11/56; F24F 11/58; F24F 11/62; F24F 11/64; F24F 11/66; F24F 11/70; F24F 11/72; F24F

- 1. Air conditioner
- 1.1 : Front
- 1.2 : Back
- 1.3 : Left
- 1.4 : Right
- 1.5 : Top
- 1.6 : Bottom
- 1.7 : Perspective

(Continued)

1.1 is a front elevation view of an air conditioner showing our new design; 1.2 is a rear elevation view thereof; 1.3 is a left side elevation view thereof; 1.4 is a right side elevation view thereof; 1.5 is a top plan view thereof; 1.6 is a bottom plan view thereof; and 1.7 is a perspective view thereof; the present product is used to adjust indoor temperature. The broken lines of FIGS. 1.2 and 1.6 illustrate portions of the air conditioner that form no part of the claimed design.

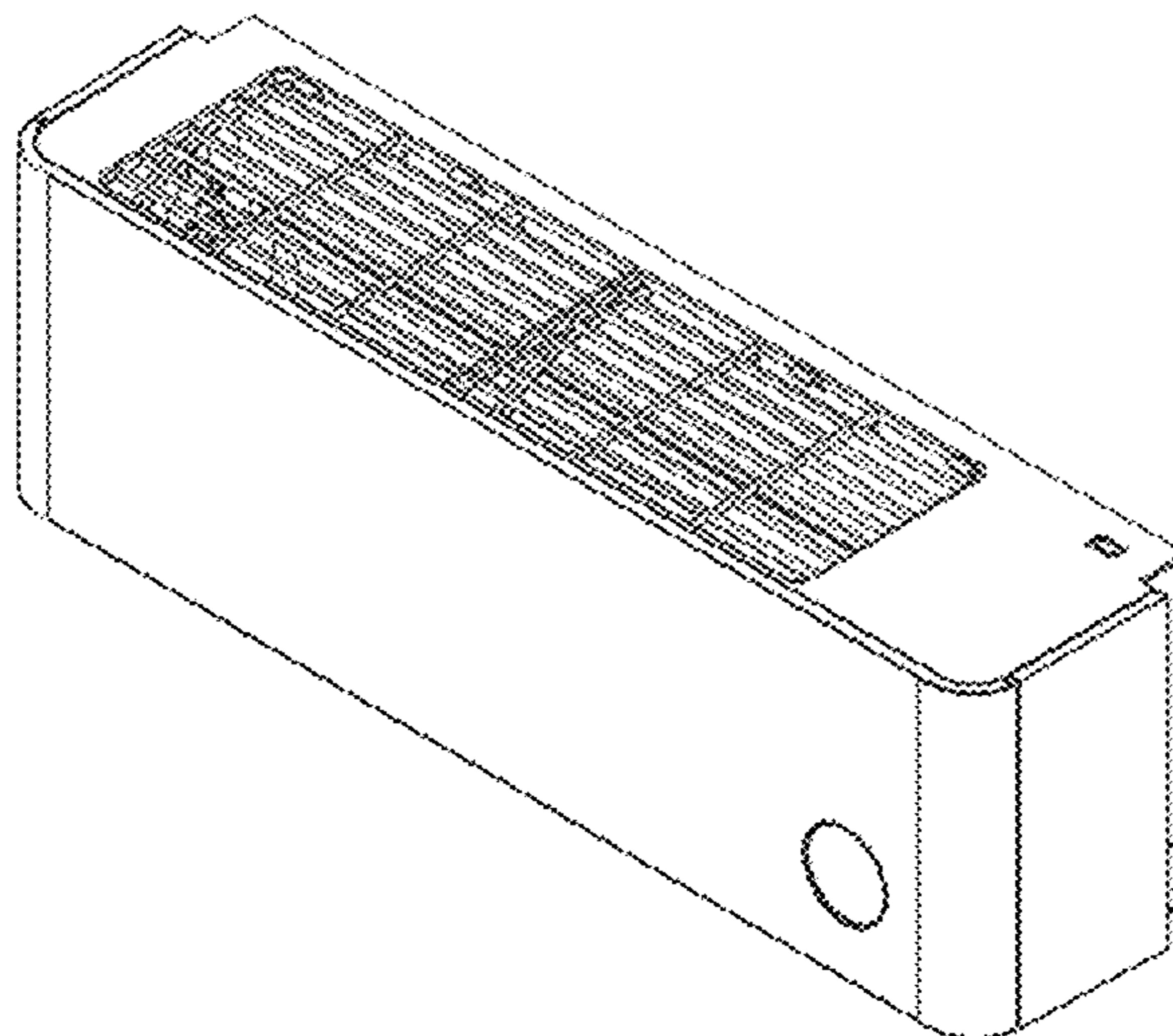
(56) **References Cited**

U.S. PATENT DOCUMENTS

D676,119 S * 2/2013 Baek D23/351
D720,842 S * 1/2015 Chouji D23/351

(Continued)

1 Claim, 7 Drawing Sheets



US D901,659 S

(58) **Field of Classification Search**

CPC . 11/74; F24F 11/76; F24F 11/77; F24F 11/84;
F24F 11/85; F24F 11/86; F24F 11/89;
F24F 13/20; F24F 13/28; F24F 1/022;
F24F 1/38; F24F 2006/008; F24F
2006/046; F24F 2110/00; F24F 2110/40;
F24F 2110/50; F24F 2110/64; F24F
2120/10; F24F 2140/12; F24F 2140/40;
F24F 2140/50; F24F 2221/54; F24F
3/044; F24F 3/0442; F24F 3/0444; F24F
3/08; F24F 5/00; F24F 5/0003; F24F
6/04; F24F 6/16; F24F 7/007; F24F 7/10

See application file for complete search history.

(56) **References Cited**

U.S. PATENT DOCUMENTS

D776,799 S * 1/2017 Ikeda D23/351
D777,894 S * 1/2017 Kato D23/351

D852,341 S * 6/2019 Nakamori D23/351
D855,165 S * 7/2019 Bae D23/351
D855,166 S * 7/2019 Bae D23/351
D857,867 S * 8/2019 Shin D23/351
D879,927 S * 3/2020 Sanagi D23/351
D880,669 S * 4/2020 Urano D23/351
D884,133 S * 5/2020 Nakamori D23/351

FOREIGN PATENT DOCUMENTS

CN 302726771 S 1/2014
CN 302875442 S 7/2014
CN 302903365 S 8/2014
CN 303034824 S 12/2014
CN 303267669 S 7/2015
CN 304409266 S 12/2017
JP 134578 S 12/2008
JP D1345784 S 12/2008
KR 300462284 S 9/2007

* cited by examiner

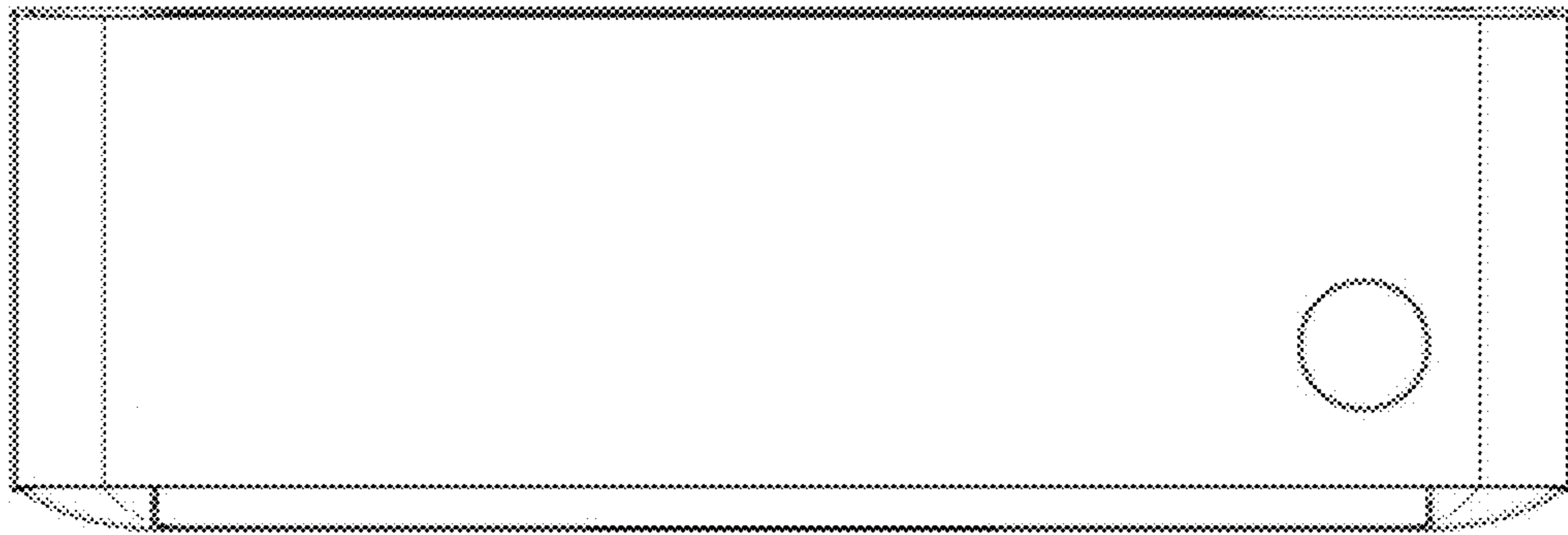


Fig. 1.1

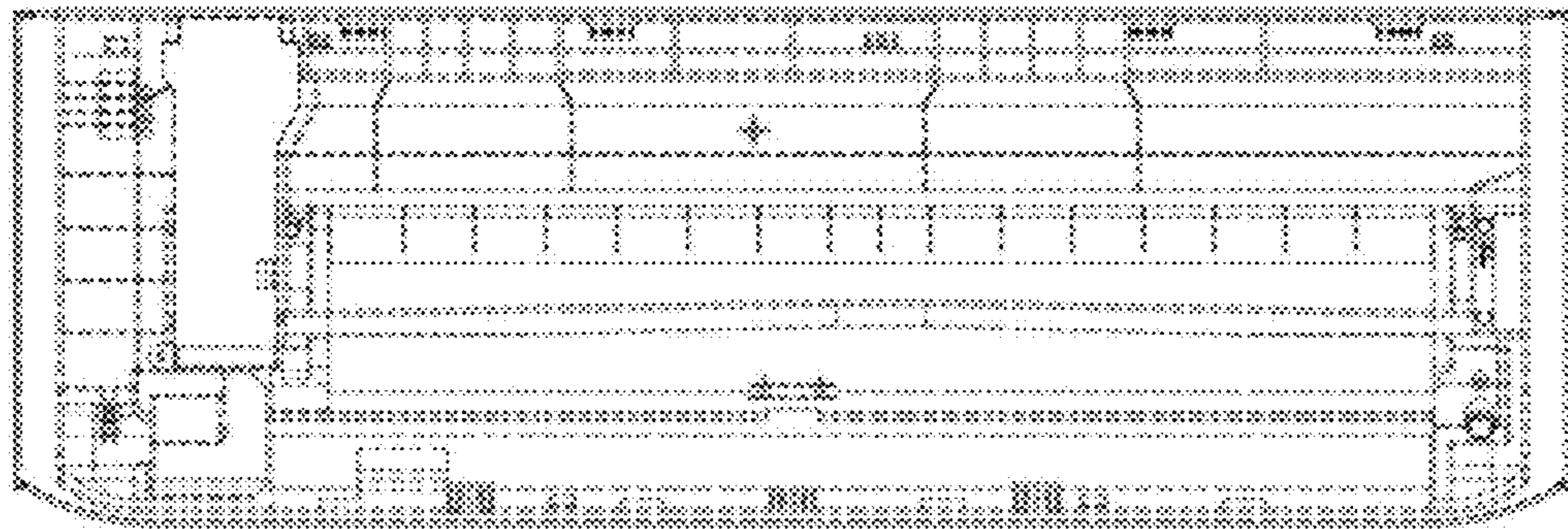


Fig. 1.2

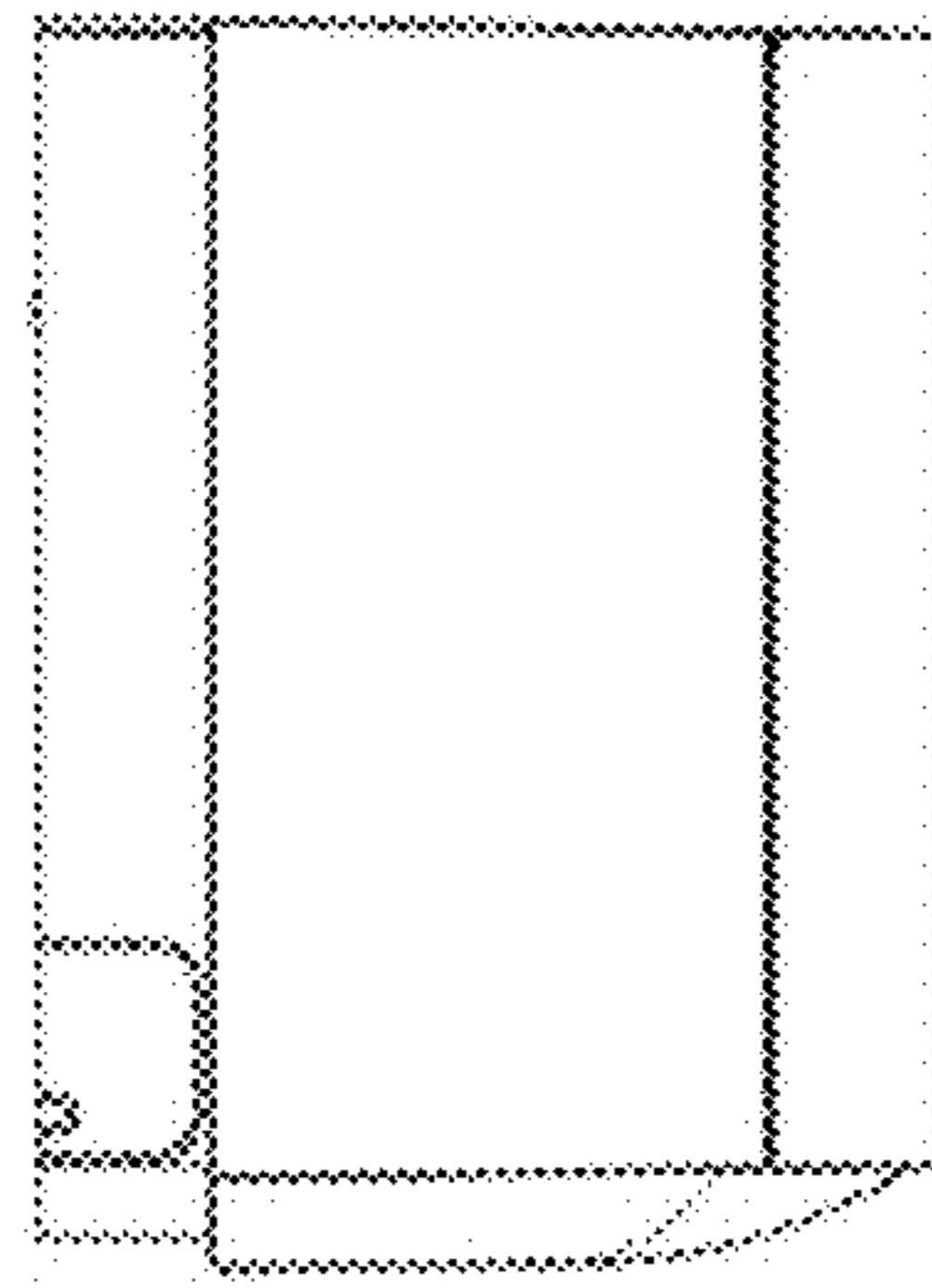


Fig. 1.3

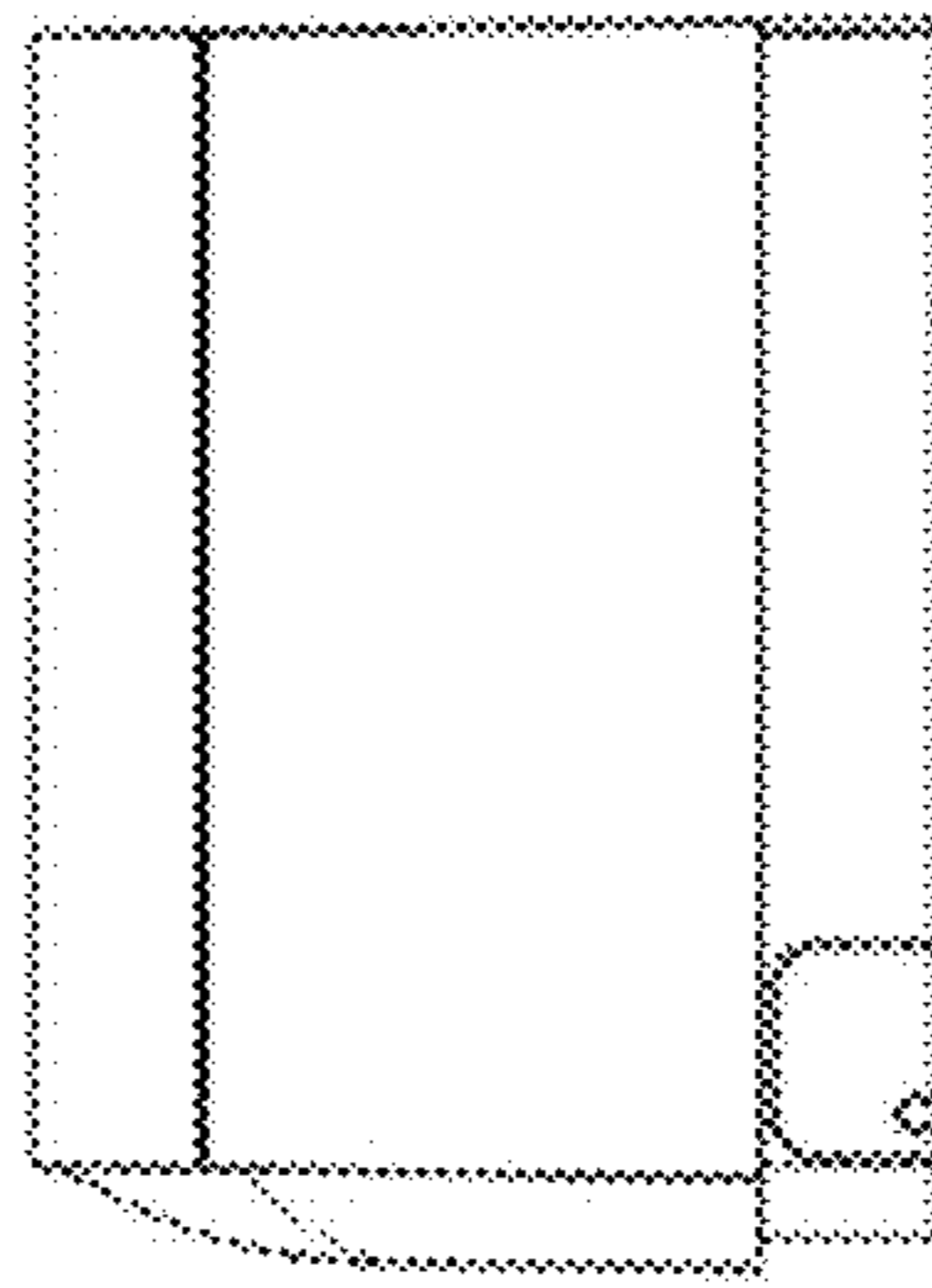


Fig. 1.4

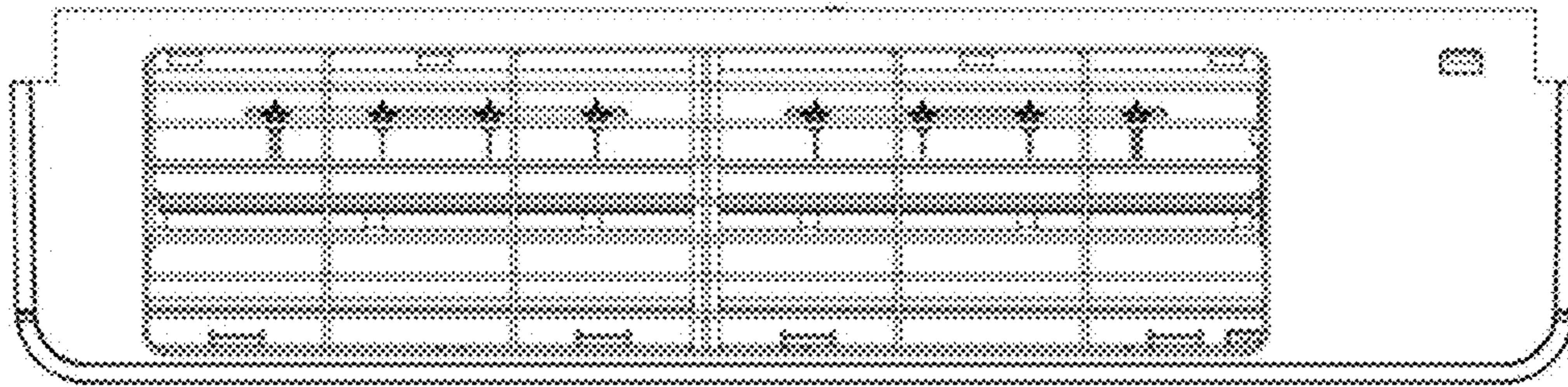


Fig. 1.5

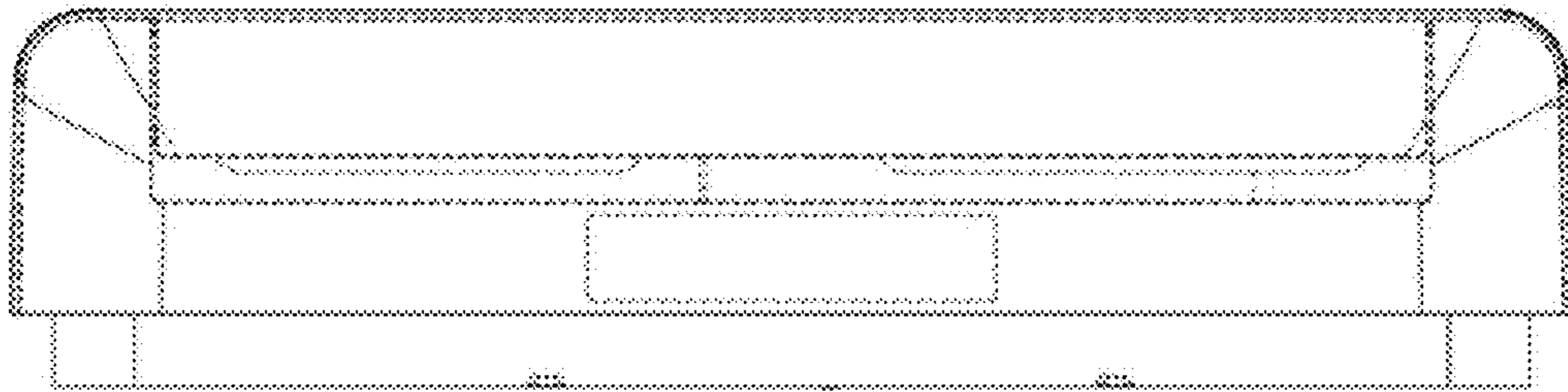


Fig. 1.6

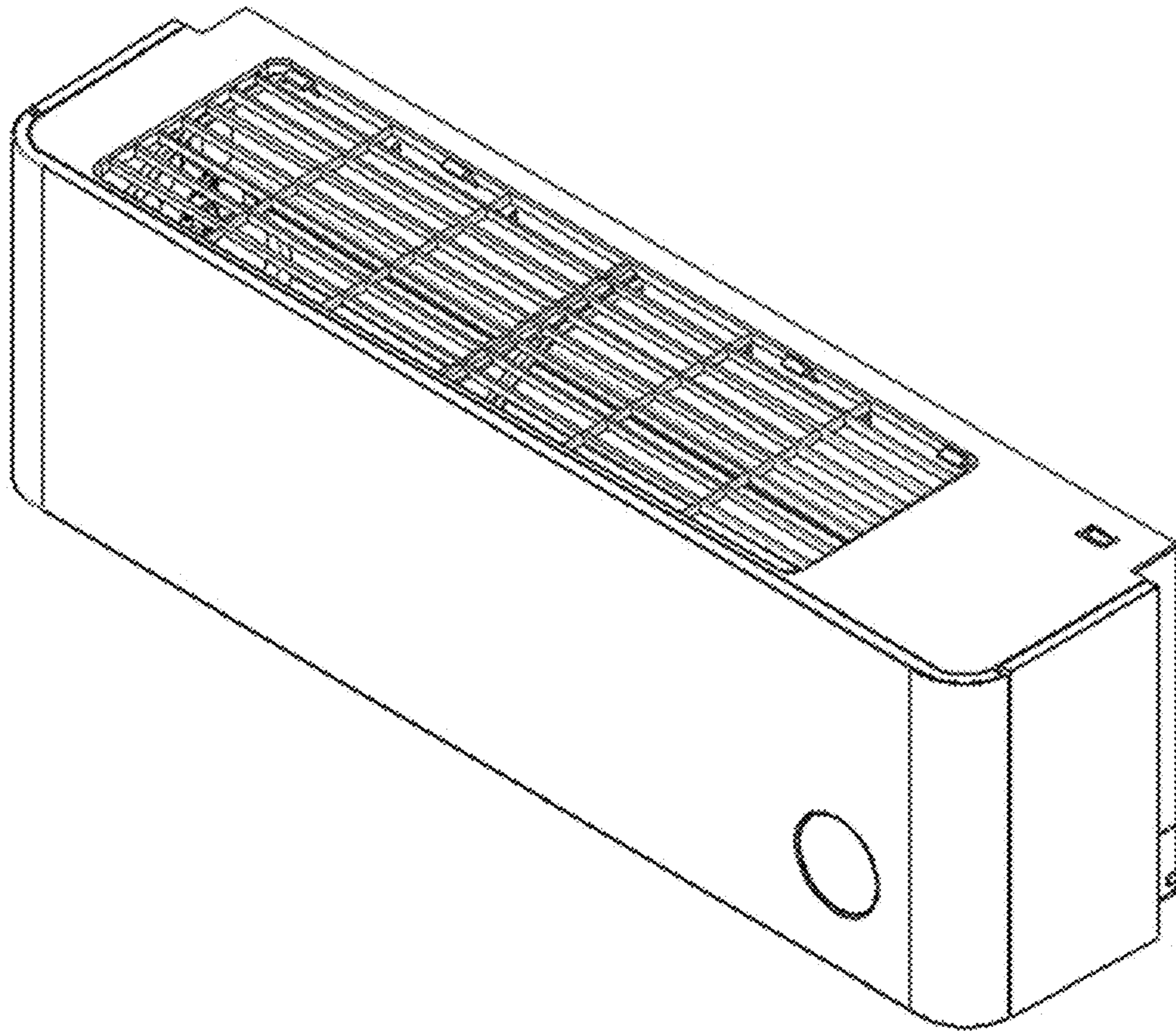


Fig. 1.7