



US00D901657S

(12) **United States Design Patent**
Niki

(10) **Patent No.:** **US D901,657 S**

(45) **Date of Patent:** **** Nov. 10, 2020**

(54) **AIR CONDITIONER**

(71) Applicant: **Kentarou Niki**, Osaka (JP)

(72) Inventor: **Kentarou Niki**, Osaka (JP)

(73) Assignee: **DAIKIN INDUSTRIES LTD.**, Osaka (JP)

(**) Term: **15 Years**

(21) Appl. No.: **29/685,872**

(22) Filed: **Apr. 1, 2019**

(30) **Foreign Application Priority Data**

Oct. 31, 2018 (JP) 2018-024006

(51) **LOC (12) Cl.** **23-04**

(52) **U.S. Cl.**
USPC **D23/351**

(58) **Field of Classification Search**

USPC D23/333, 351-354, 388

CPC F24F 1/00; F24F 1/0007; F24F 1/02; F24F 1/08; F24F 1/42; F24F 1/56; F24F 1/60; F24F 3/044; F24F 3/048; F24F 3/16; G05D 23/1905; G05D 23/1932; G05D 23/1902; G05D 23/1931; G05B 19/0426; G05B 19/409; G05B 15/02

See application file for complete search history.

(56) **References Cited**

U.S. PATENT DOCUMENTS

D324,420 S * 3/1992 Farce D23/369
D626,208 S * 10/2010 Clements D23/386
D658,604 S * 5/2012 Egawa D13/180

D665,491 S * 8/2012 Goel D23/386
D743,532 S * 11/2015 Biagioli D23/415
D778,418 S * 2/2017 Bu D23/354
D788,895 S * 6/2017 Shin D23/351
D788,896 S * 6/2017 Shin D23/351
D809,642 S * 2/2018 Lee D23/354
D810,252 S * 2/2018 Lee D23/354
D816,199 S * 4/2018 Shin D23/351
D819,796 S * 6/2018 Shin D23/351
D836,759 S * 12/2018 Baek D23/352
D837,353 S * 1/2019 Baek D23/352
D865,927 S * 11/2019 Baek D23/325
D865,928 S * 11/2019 Baek D23/325

* cited by examiner

Primary Examiner — Natasha Vujcic

(74) *Attorney, Agent, or Firm* — Manabu Kanesaka

(57) **CLAIM**

The ornamental design for an air conditioner, as shown and described.

DESCRIPTION

FIG. 1 is a perspective view of an air conditioner showing my new design;

FIG. 2 is a front view thereof;

FIG. 3 is a rear view thereof;

FIG. 4 is a plan view thereof;

FIG. 5 is a bottom view thereof;

FIG. 6 is a left side view thereof;

FIG. 7 is a right side view thereof; and,

FIG. 8 is a cross-sectional view thereof along the line 8-8 in FIG. 5.

The broken lines depict portions of the air conditioner that form no part of claimed design.

1 Claim, 4 Drawing Sheets

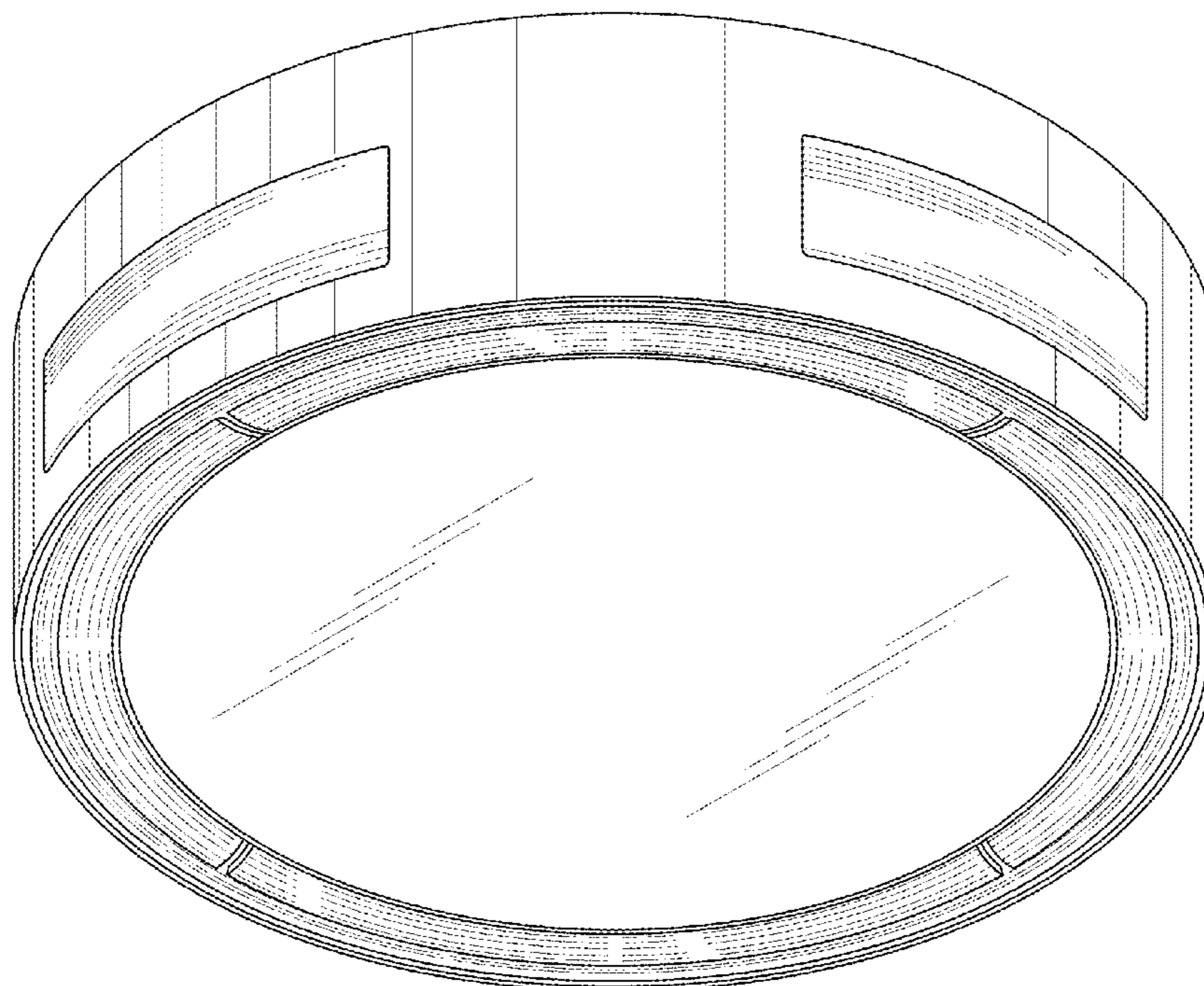


Fig.1

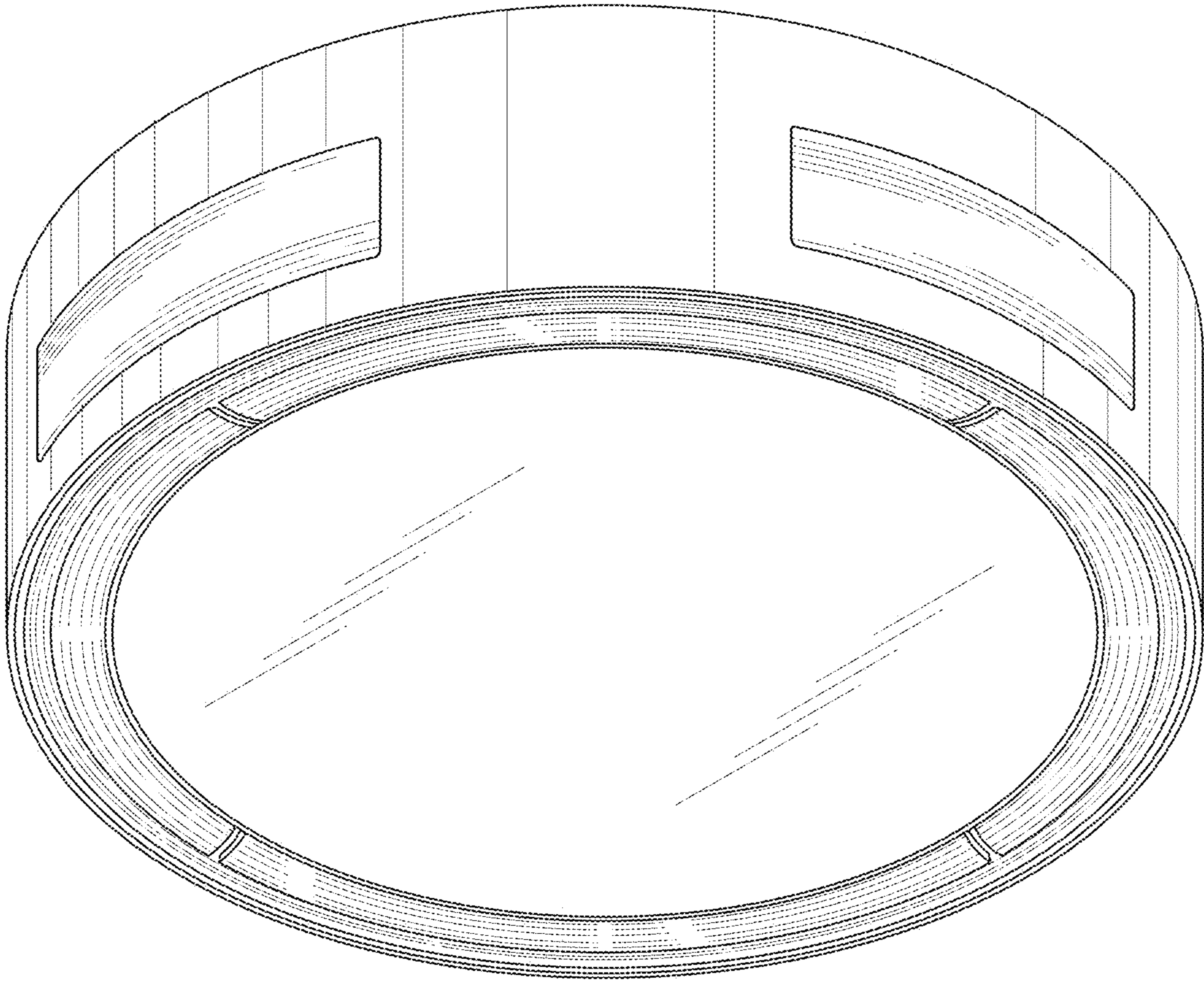


Fig.2

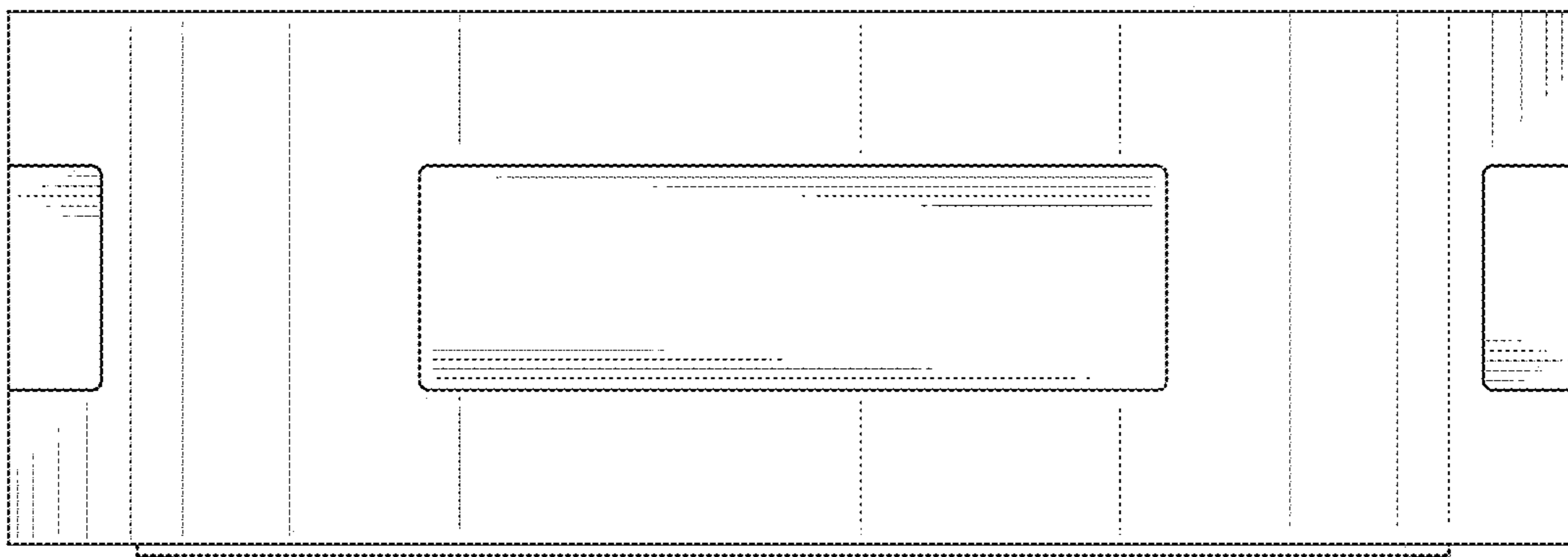


Fig.3

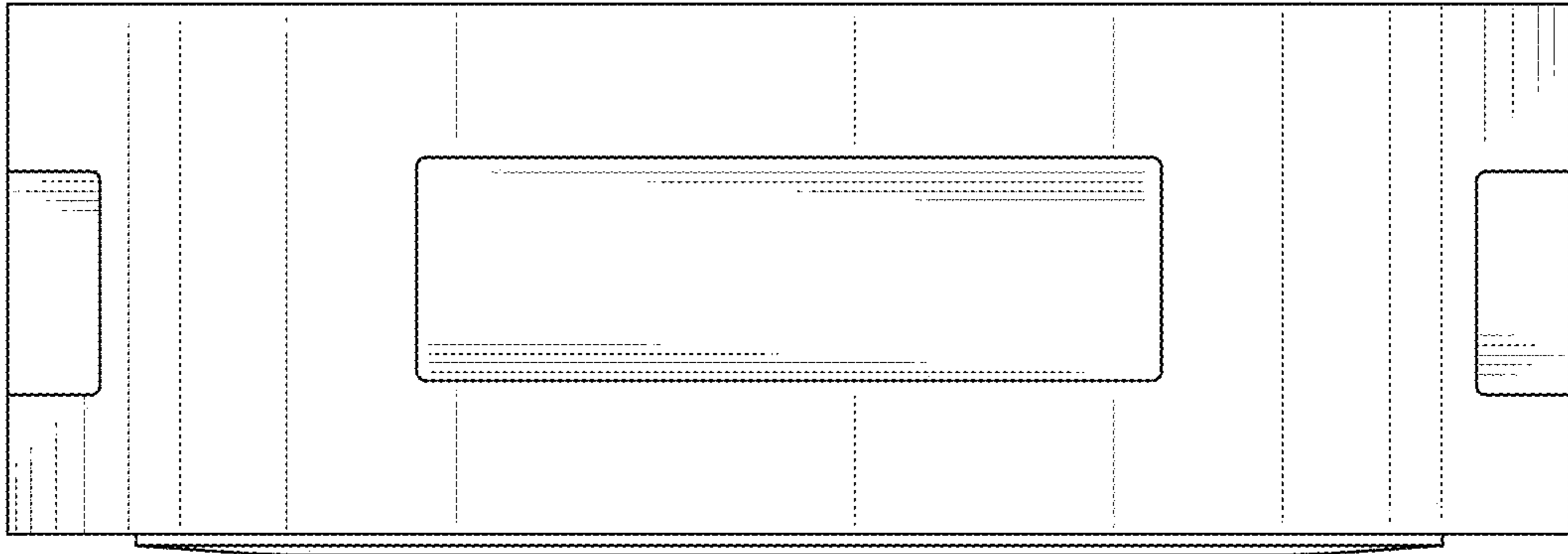


Fig.4

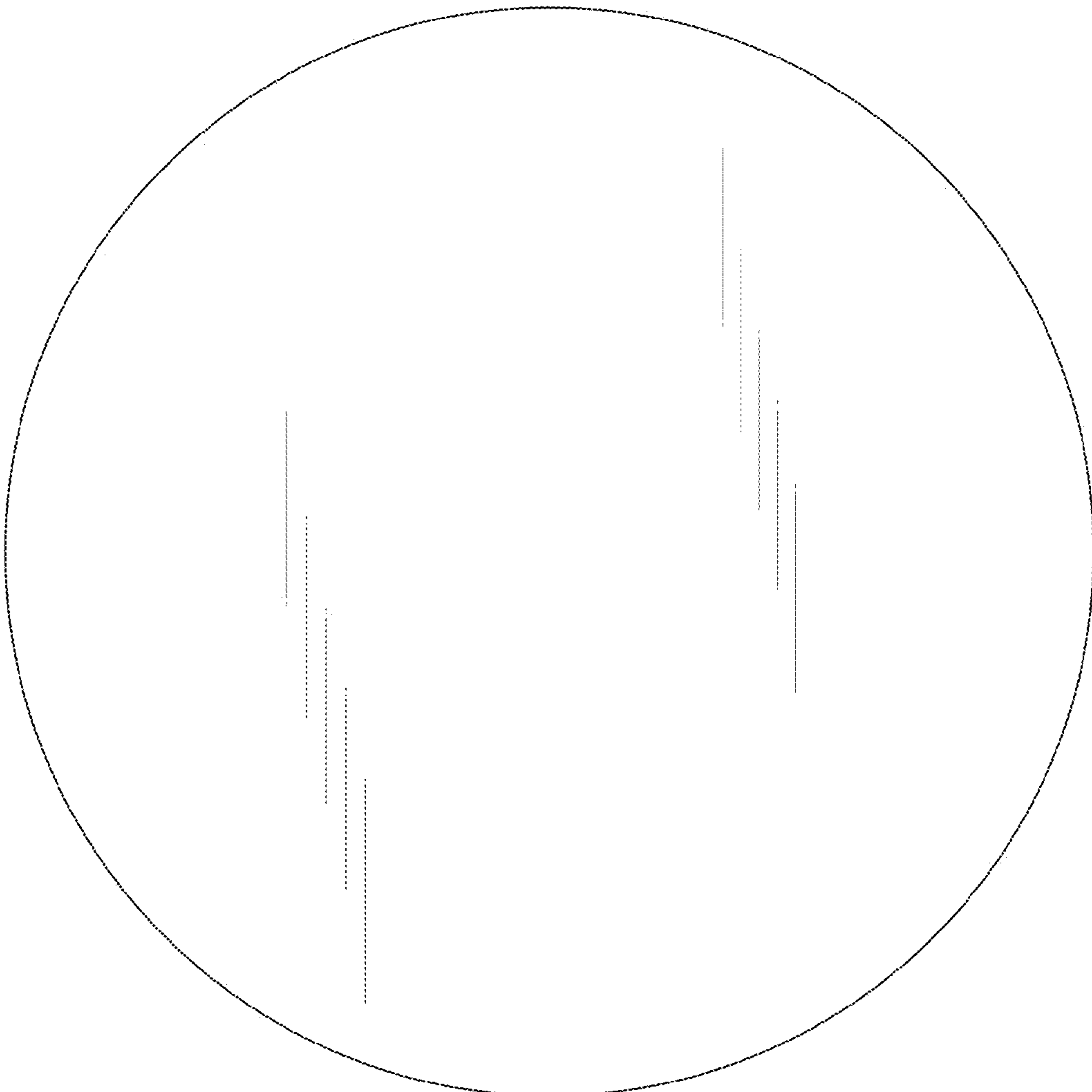


Fig.5

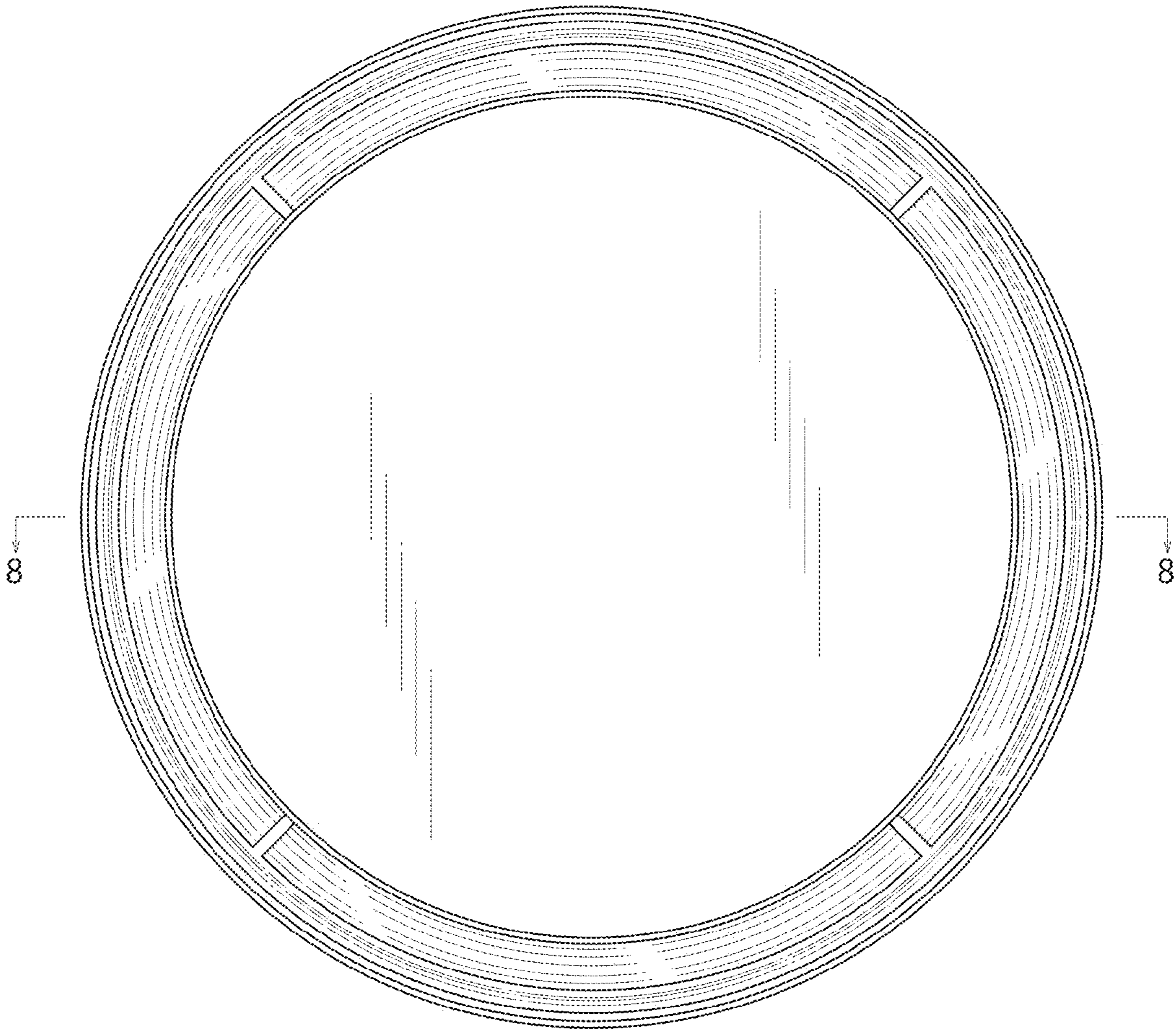


Fig.6

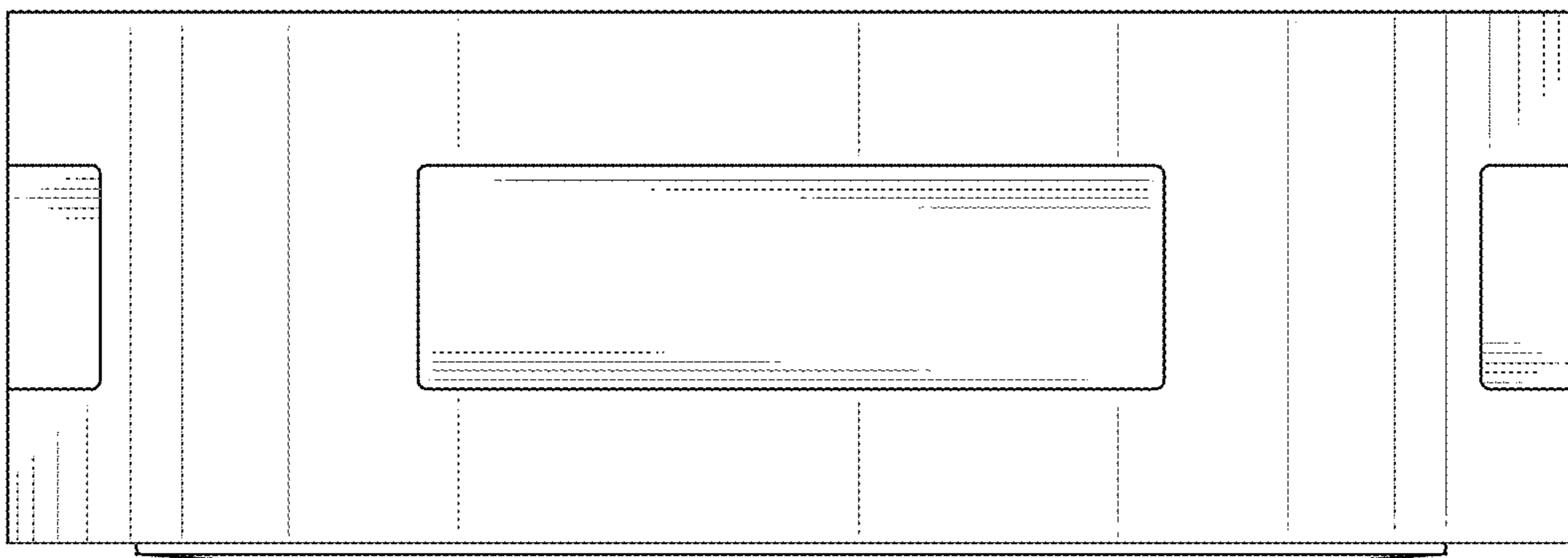


Fig.7

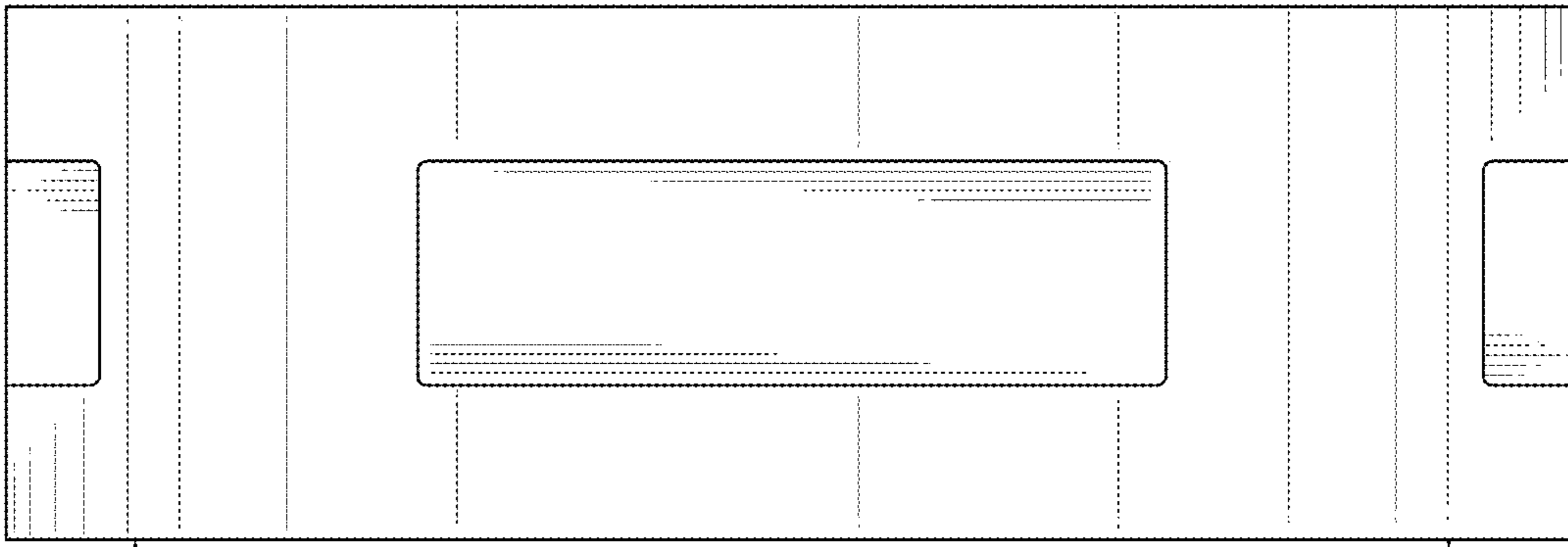


Fig.8

