



US00D901654S

(12) **United States Design Patent** (10) **Patent No.:** **US D901,654 S**
Lee et al. (45) **Date of Patent:** **** Nov. 10, 2020**

(54) **AIR CONDITIONER**

Primary Examiner — Richard E Chilcot

(71) Applicant: **LG Electronics Inc.**, Seoul (KR)

(74) *Attorney, Agent, or Firm* — Birch, Stewart, Kolasch & Birch, LLP

(72) Inventors: **Sangyoon Lee**, Seoul (KR); **Hyesun Lee**, Seoul (KR); **Sehwan Bae**, Seoul (KR); **Seungho Baek**, Seoul (KR); **Hosik Jang**, Seoul (KR); **Ilseop So**, Seoul (KR); **Kyunam Lee**, Seoul (KR)

(57) **CLAIM**

The ornamental design for an air conditioner, as shown and described.

(73) Assignee: **LG ELECTRONICS INC.**, Seoul (KR)

DESCRIPTION

(**) Term: **15 Years**

1. Air conditioner

(21) Appl. No.: **35/507,353**

Reproduction 1.1 is a front perspective of the air conditioner.

(22) Filed: **Feb. 28, 2019**

Reproduction 1.2 is a front view thereof.

(80) **Hague Agreement Data**

Int. Filing Date: **Feb. 28, 2019**

Reproduction 1.3 is a rear view thereof.

Int. Reg. No.: **DM/201902**

Reproduction 1.4 is a left view thereof, the right view being a mirror image.

Int. Reg. Date: **Feb. 28, 2019**

Reproduction 1.5 is a top view thereof.

Int. Reg. Pub. Date: **Aug. 30, 2019**

Reproduction 1.6 is a bottom view thereof.

(51) **LOC (12) Cl.** **23-04**

Reproduction 1.7 is a front perspective of the air conditioner in a condition that the front panel has been moved upward and the air outlets are exposed.

(52) **U.S. Cl.**

USPC **D23/333**

Reproduction 1.8 is a front view thereof.

(58) **Field of Classification Search**

USPC D23/333, 335, 341, 342, 351, 353, 354, D23/355, 356, 359, 364, 365, 370, 385, D23/386, 388, 393

Reproduction 1.9 is a rear view thereof.

(Continued)

(56) **References Cited**

U.S. PATENT DOCUMENTS

D580,537 S * 11/2008 Niki D23/351
D624,167 S * 9/2010 Mishiro D23/351

Reproduction 1.10 is a left view thereof, the right view being a mirror image.

(Continued)

Reproduction 1.11 is a top view thereof.

Reproduction 1.12 is a bottom view thereof.

Reproduction 1.13 is a reference view showing an example of the use state in which the various information, such as temperatures of the wind, etc. have been projected on the wall from the projector at the bottom part of the claimed design.

Reproduction 1.14 is a front perspective view of the air conditioner in a condition that the front panel has been moved forward and the air outlets are exposed.

Reproduction 1.15 is a front view thereof.

Reproduction 1.16 is a rear view thereof.

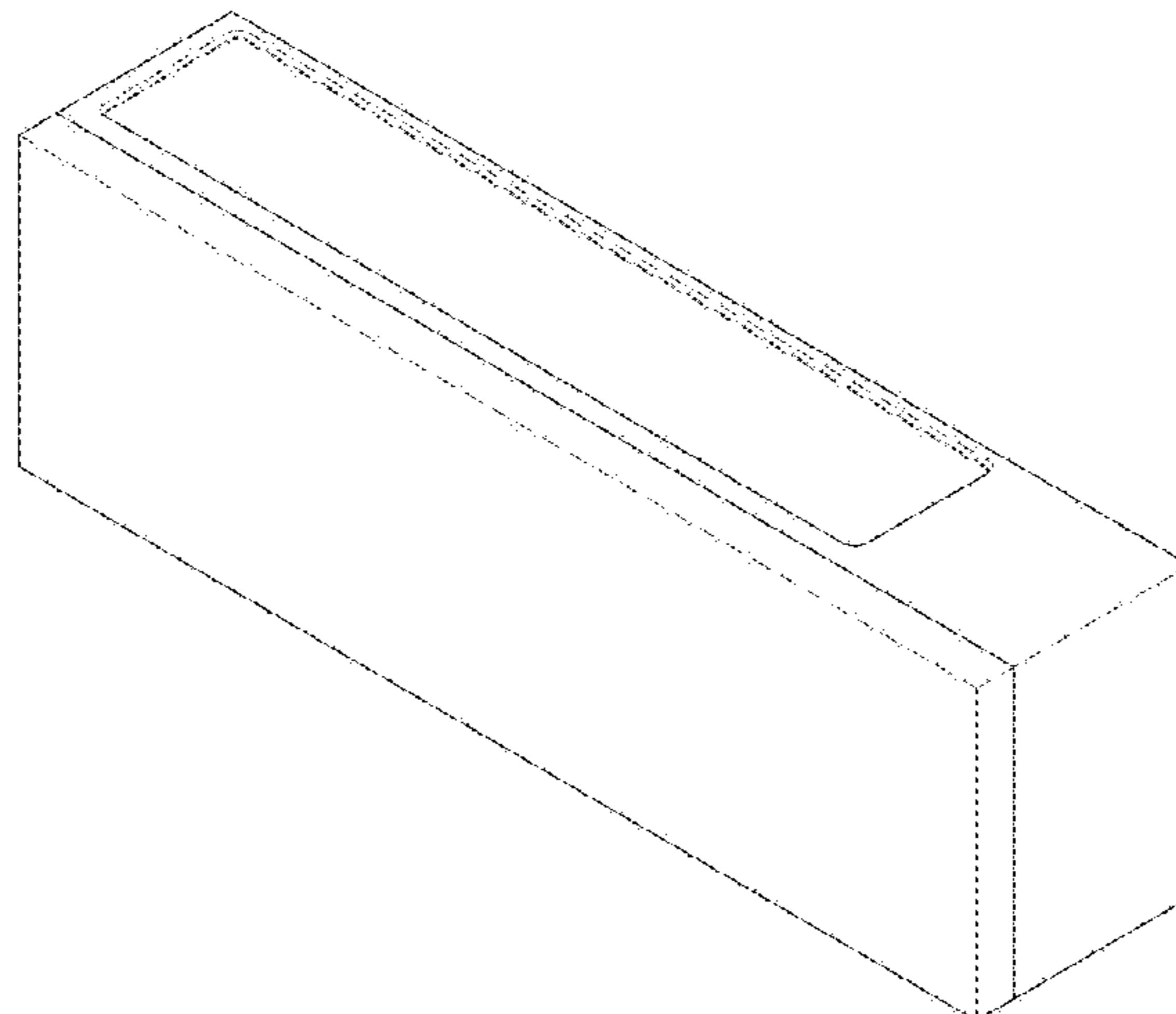
Reproduction 1.17 is a left view thereof, the right view being a mirror image.

Reproduction 1.18 is a top view thereof.

Reproduction 1.19 is a bottom view thereof.

The broken lines depict portions of the air conditioner that form no part of the claimed design.

1 Claim, 19 Drawing Sheets



(52) **U.S. Cl.**
CPC *F24F 11/30* (2018.01)

(58) **Field of Classification Search**
CPC .. F24F 11/30; F24F 11/52; F24F 11/46; F24F 11/83; F24F 2110/10; F24F 3/14; F24F 11/0001; F24F 11/54; F24F 11/56; F24F 11/58; F24F 11/62; F24F 11/64; F24F 11/66; F24F 11/70; F24F 11/72; F24F 11/74; F24F 11/76; F24F 11/77; F24F 11/84; F24F 11/85; F24F 11/86; F24F 11/89; F24F 13/20; F24F 13/28; F24F 1/022; F24F 1/38; F24F 2006/008; F24F 2006/046; F24F 2110/00; F24F 2110/40; F24F 2110/50; F24F 2110/64; F24F 2120/10; F24F 2140/12; F24F 2140/40; F24F 2140/50; F24F 2221/54; F24F 3/044; F24F 3/0442; F24F 3/0444; F24F

3/08; F24F 5/00; F24F 5/0003; F24F 6/04; F24F 6/16; F24F 7/007; F24F 7/10

See application file for complete search history.

(56)

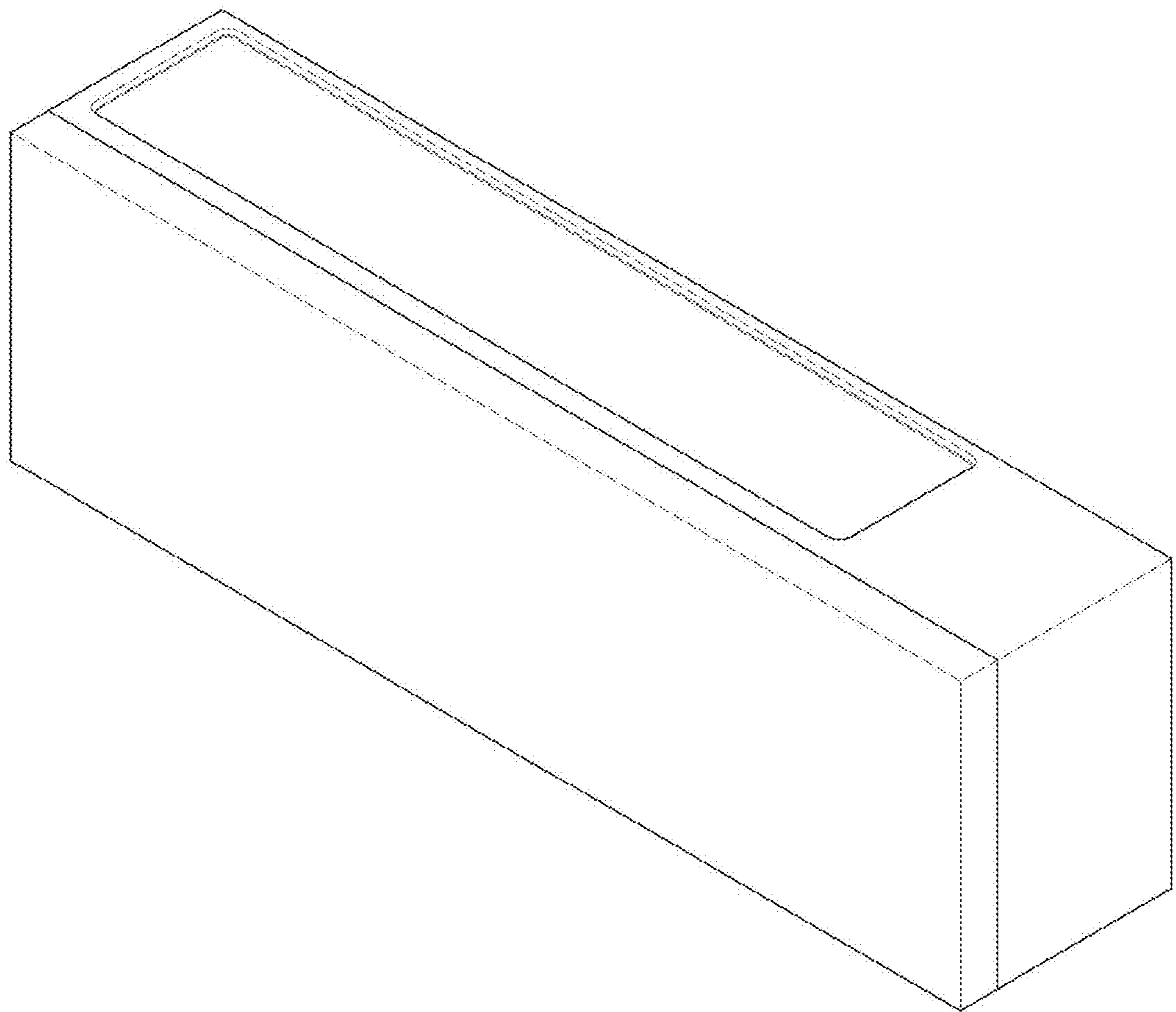
References Cited

U.S. PATENT DOCUMENTS

D701,295	S	*	3/2014	Chouji	D23/351
D720,444	S	*	12/2014	Chouji	D23/351
D720,842	S	*	1/2015	Chouji	D23/351
D726,295	S	*	4/2015	Kim	D23/351
D802,108	S	*	11/2017	Birchler	D23/351
D824,502	S	*	7/2018	Kudo	D23/351
D827,798	S	*	9/2018	Guan	D23/351
D855,166	S	*	7/2019	Bae	D23/351
D873,398	S	*	1/2020	Seo	D23/364

* cited by examiner

1.1



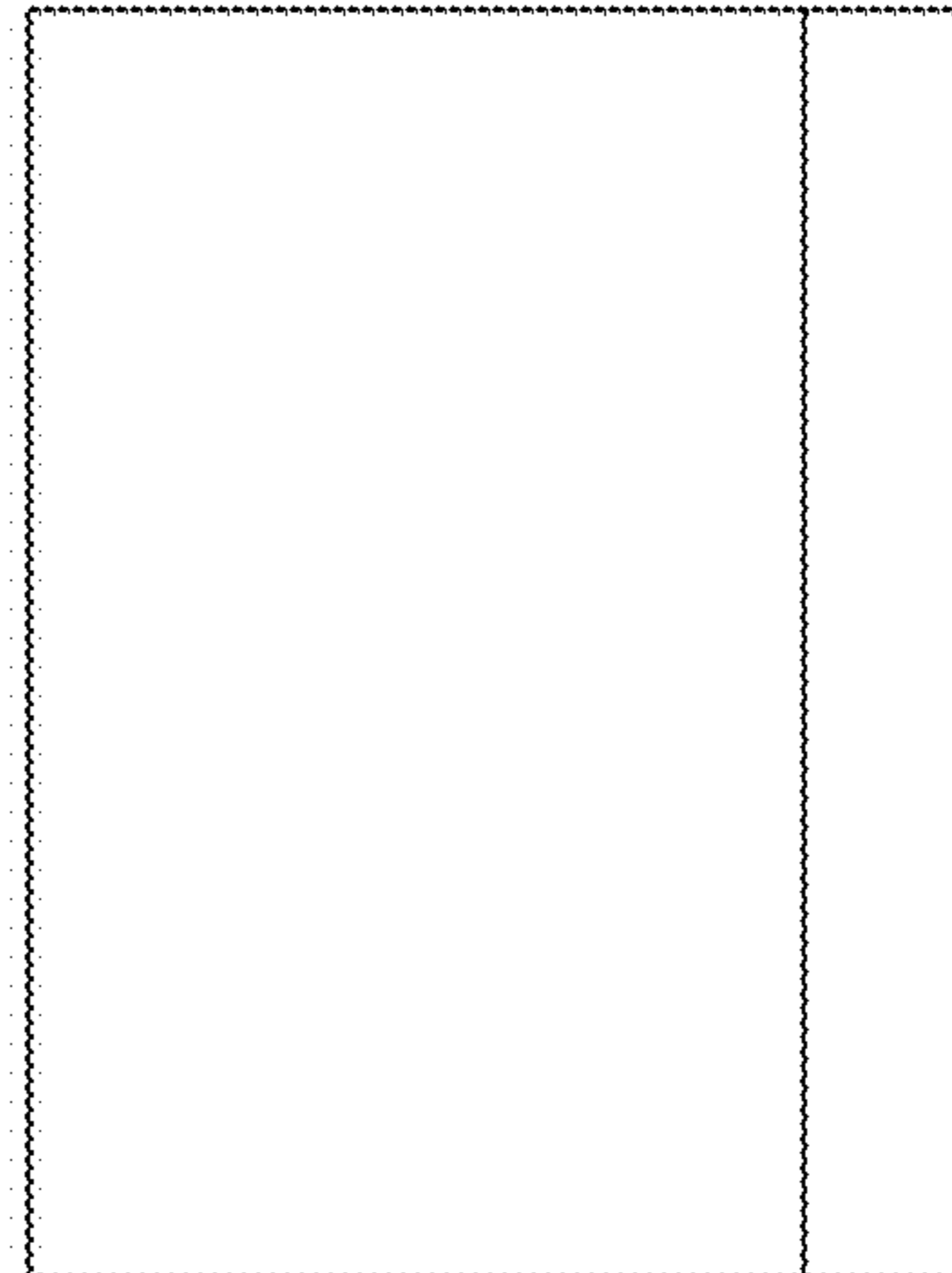
1.2



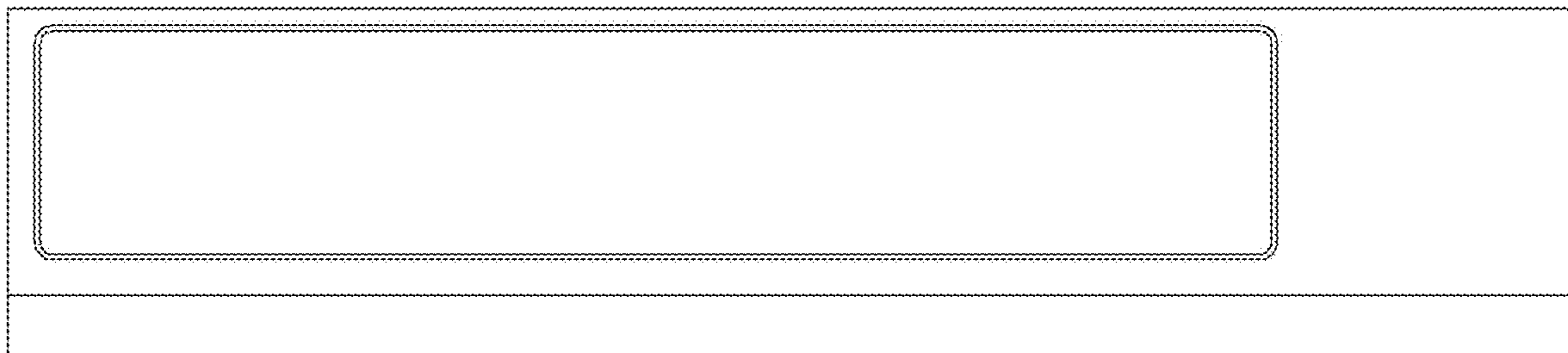
1.3



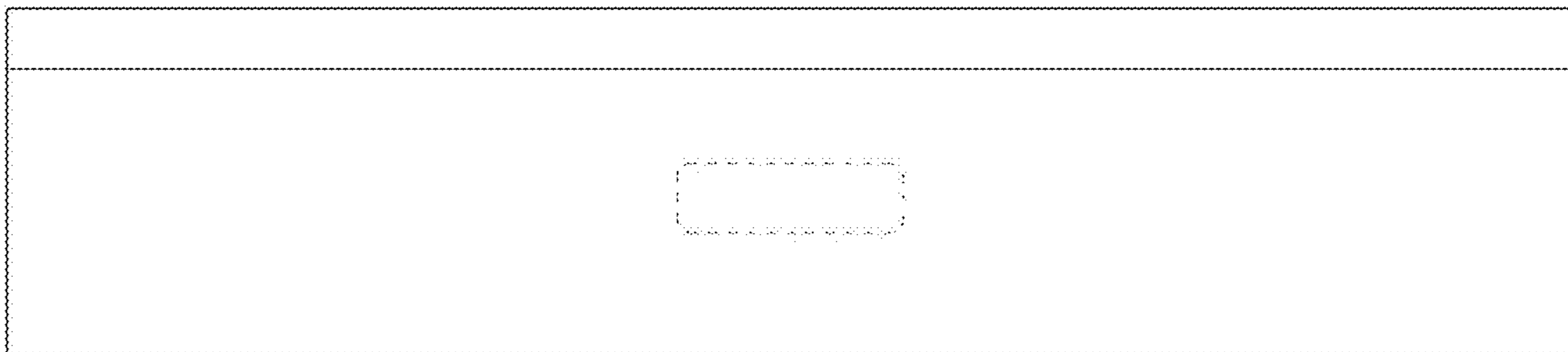
1.4



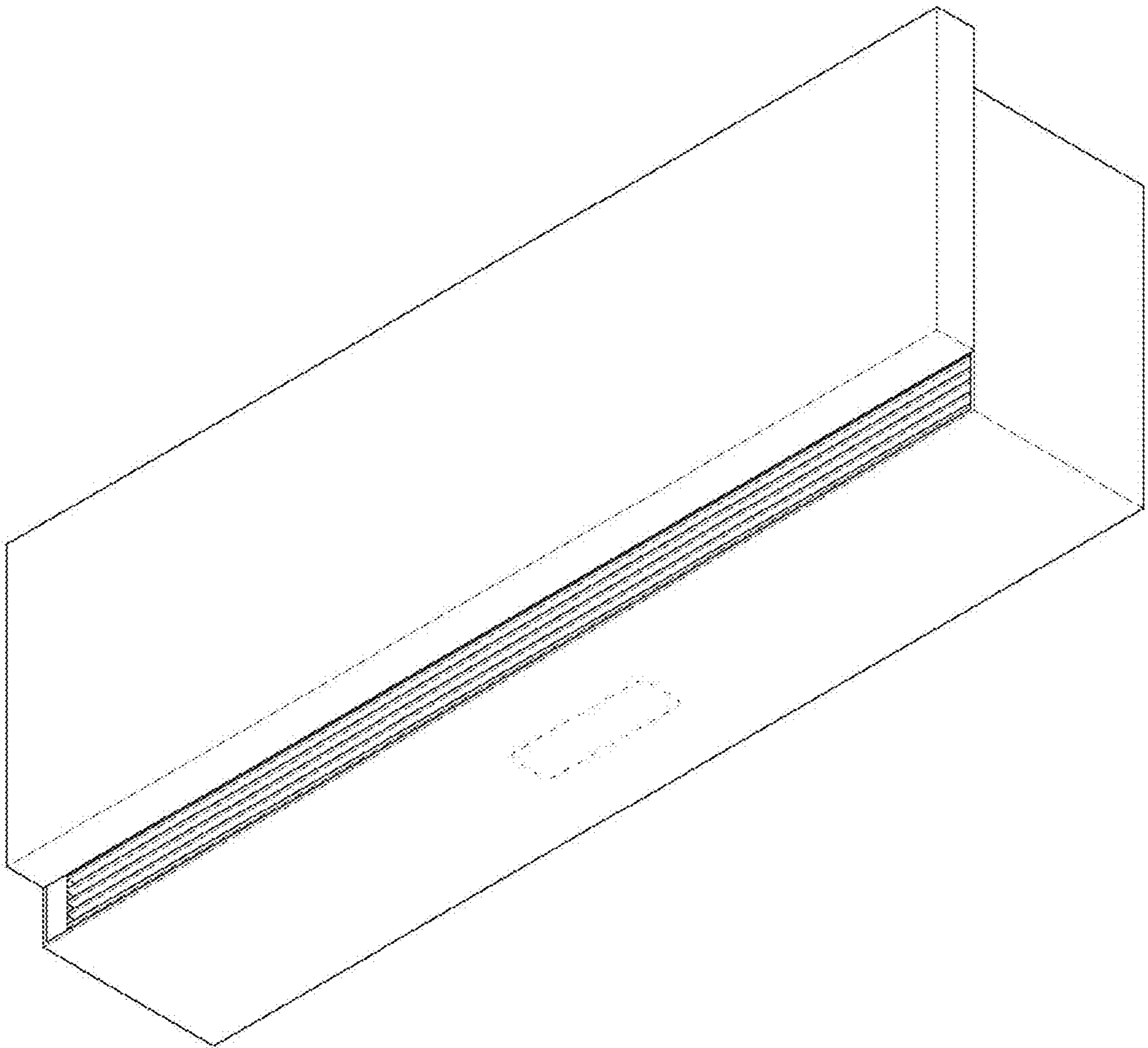
1.5



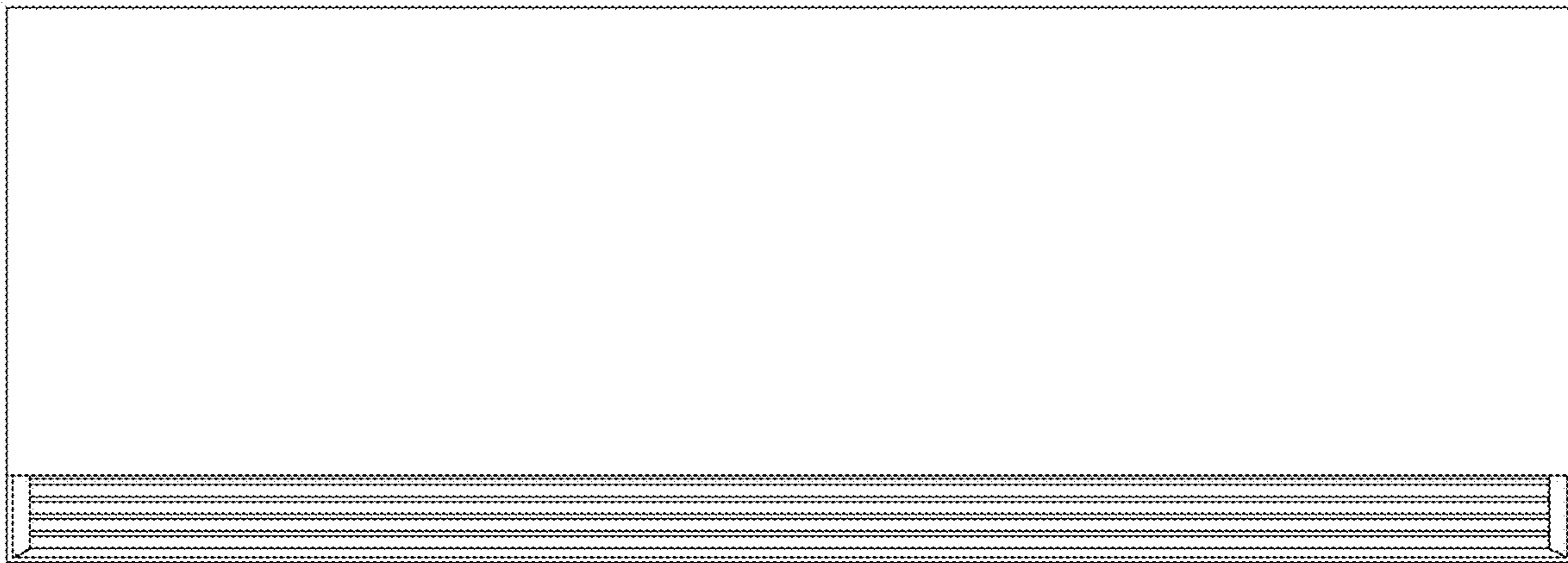
1.6



1.7



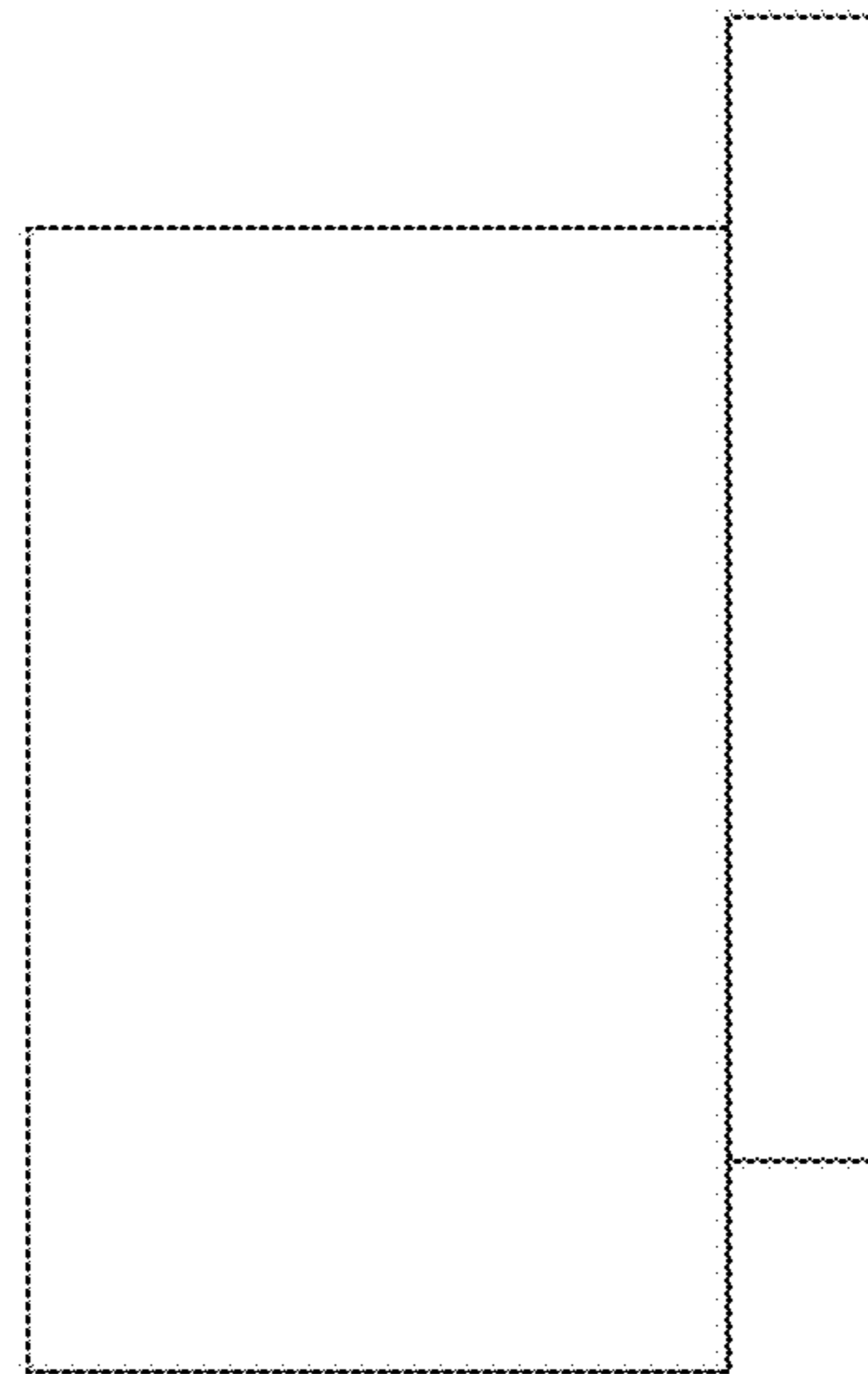
1.8



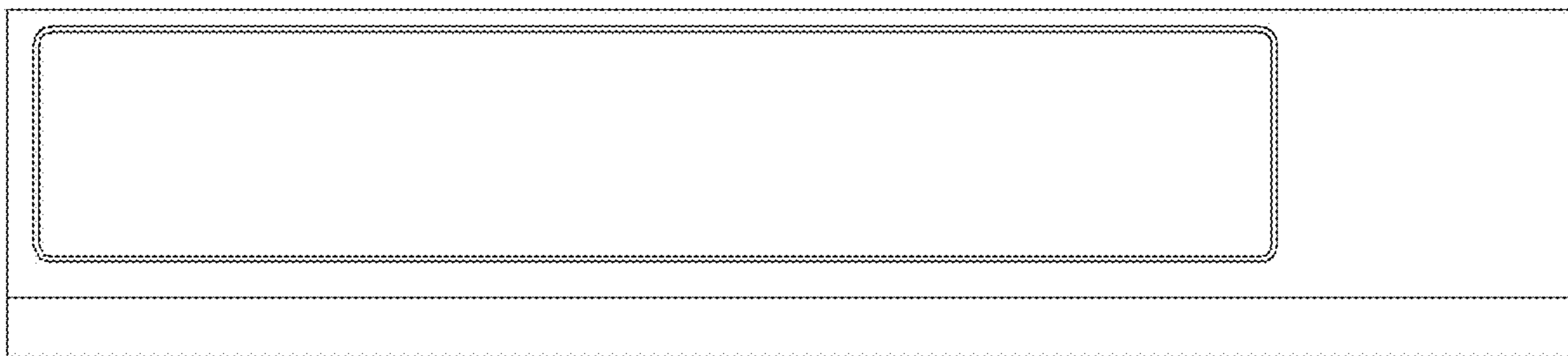
1.9



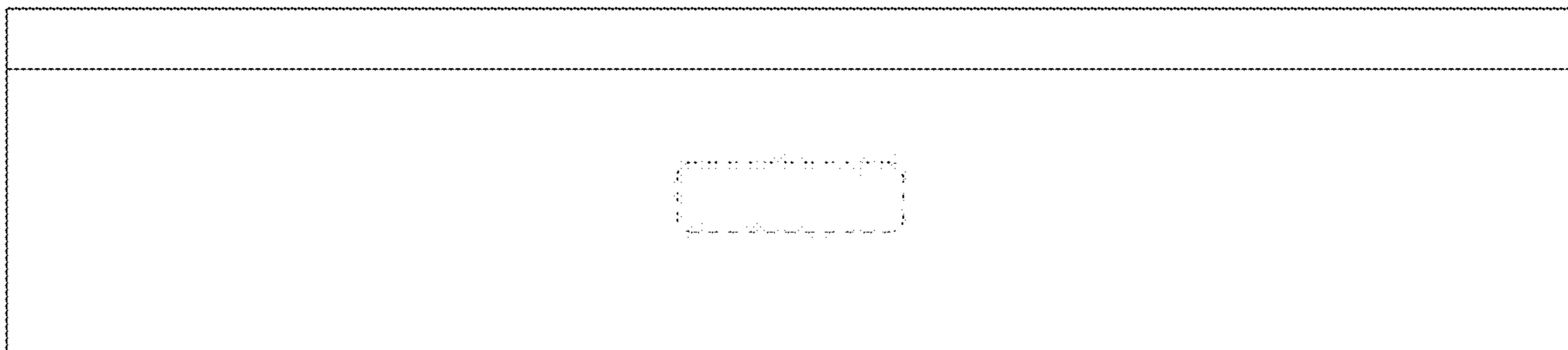
1.10



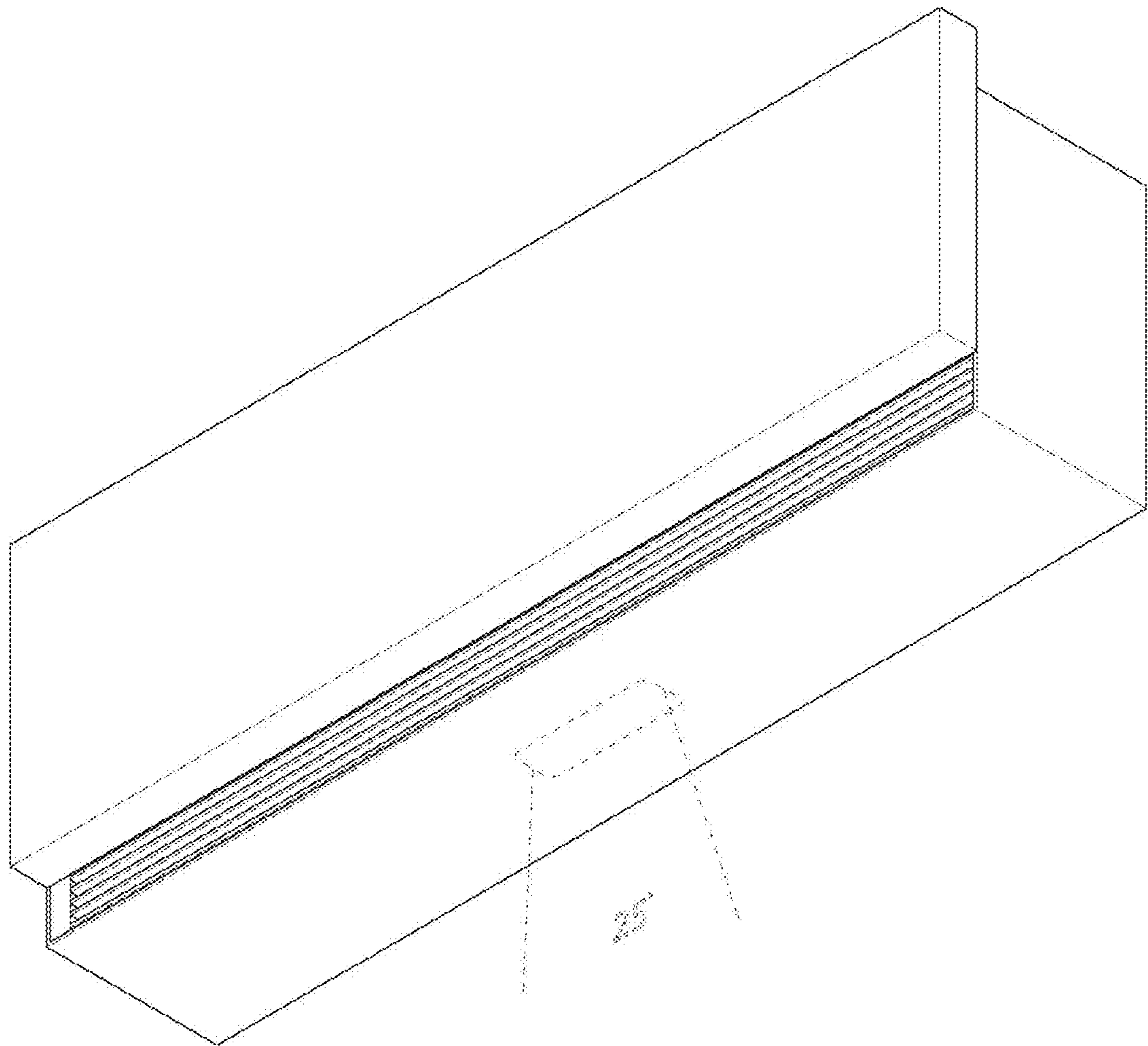
1.11



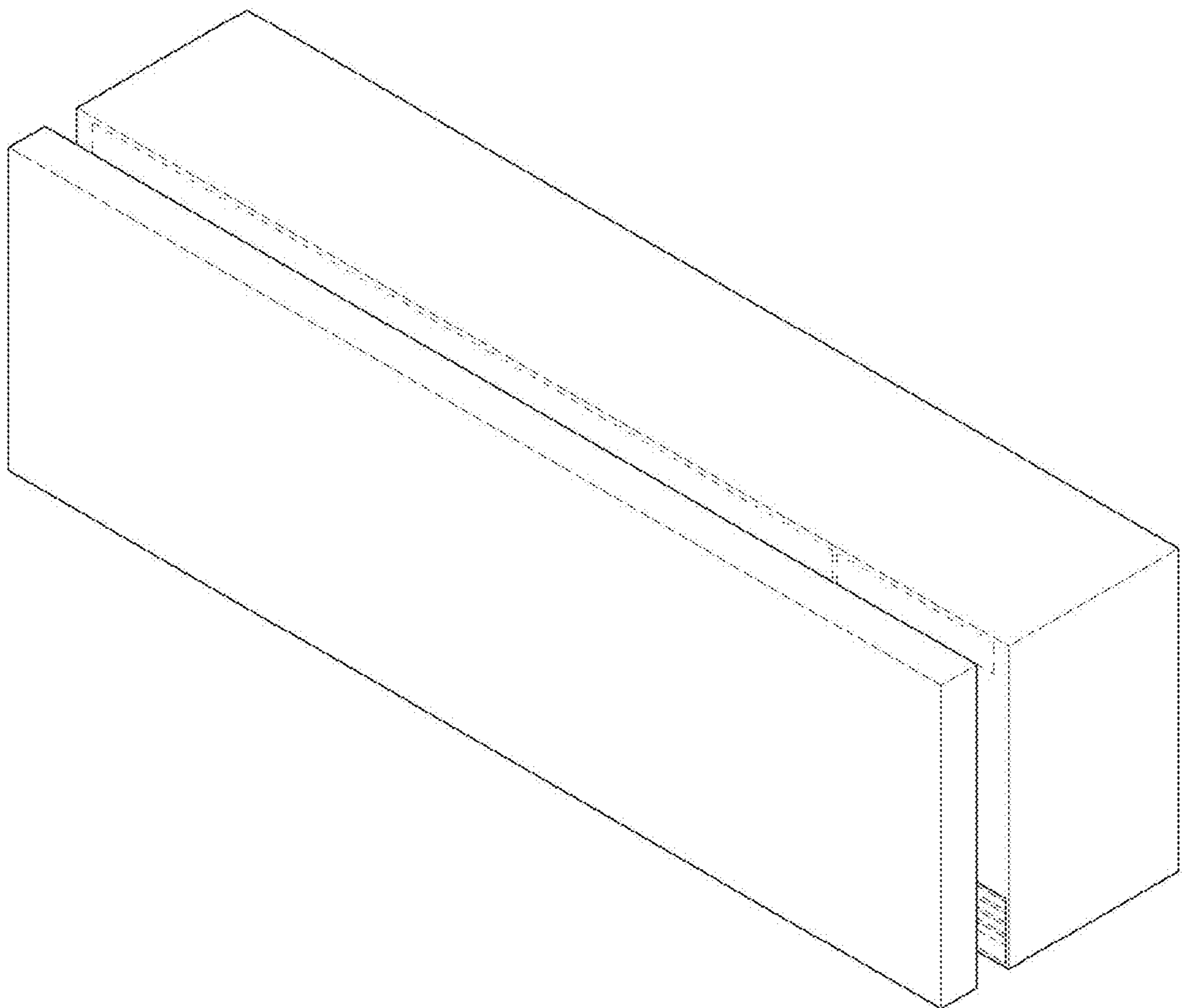
1.12



1.13



1.14



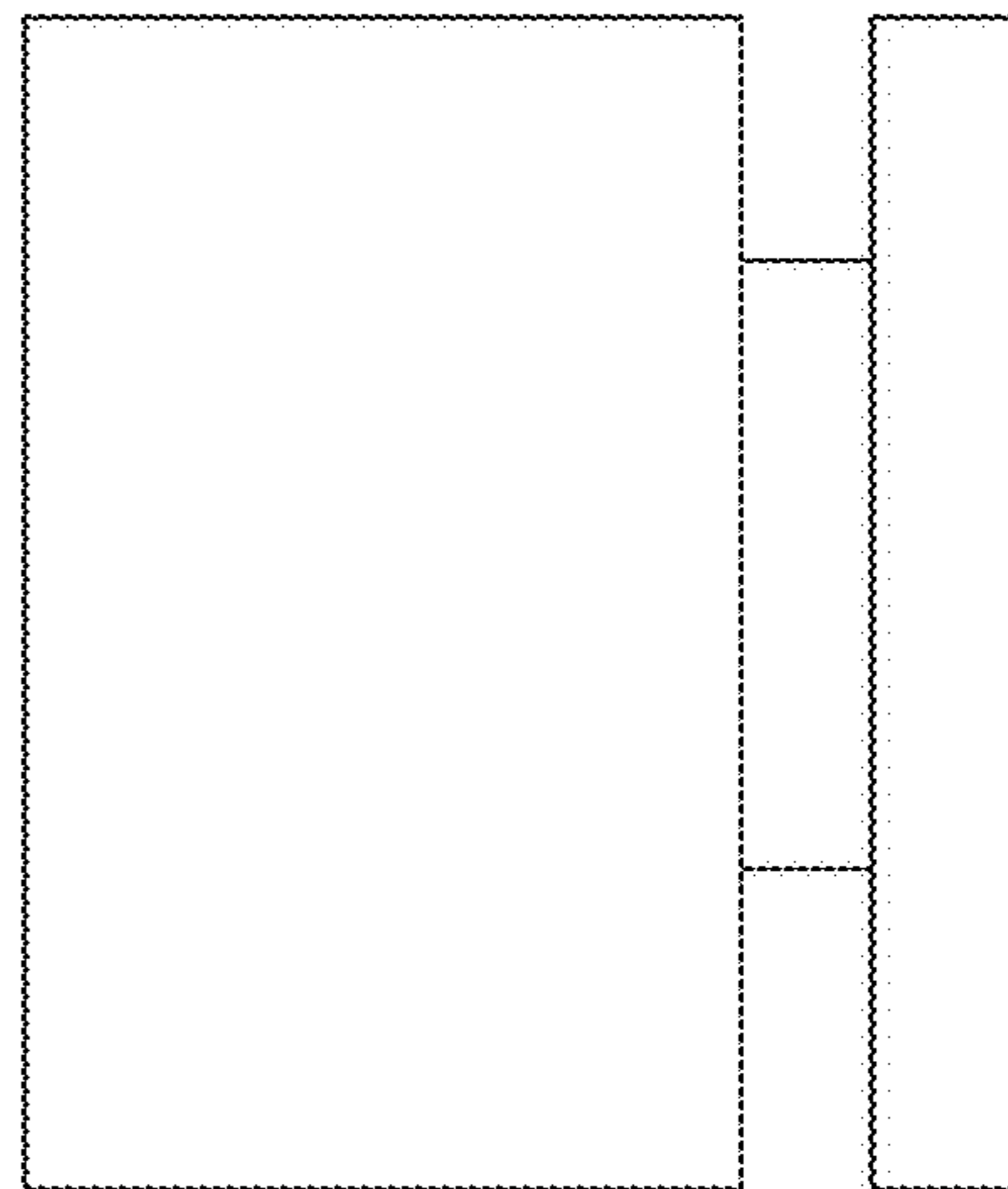
1.15



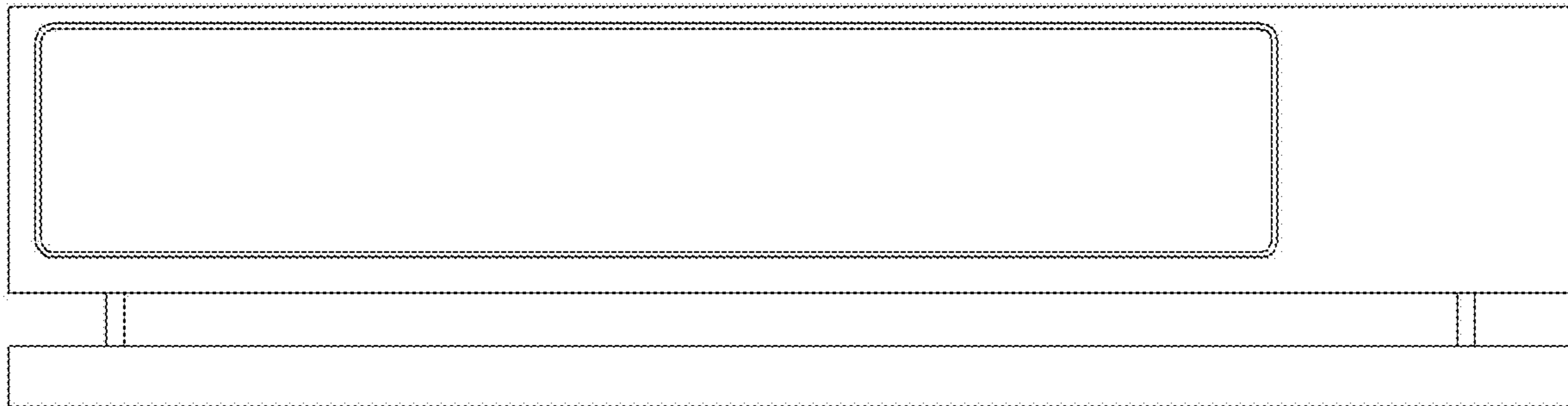
1.16



1.17



1.18



1.19

