



US00D901653S

(12) **United States Design Patent** (10) **Patent No.:** **US D901,653 S**
Lee et al. (45) **Date of Patent:** **** Nov. 10, 2020**

(54) **AIR CONDITIONER**

(71) Applicant: **LG Electronics Inc.**, Seoul (KR)

(72) Inventors: **Sangyoon Lee**, Seoul (KR); **Sehwan Bae**, Seoul (KR); **Hyesun Lee**, Seoul (KR); **Seungho Baek**, Seoul (KR); **Hosik Jang**, Seoul (KR); **Ilseop So**, Seoul (KR); **Kyunam Lee**, Seoul (KR)

(73) Assignee: **LG ELECTRONICS INC.**, Seoul (KR)

(**) Term: **15 Years**

(21) Appl. No.: **35/507,338**

(22) Filed: **Feb. 25, 2019**

(80) **Hague Agreement Data**

Int. Filing Date: **Feb. 25, 2019**
Int. Reg. No.: **DM/201483**
Int. Reg. Date: **Feb. 25, 2019**
Int. Reg. Pub. Date: **Aug. 30, 2019**

(51) **LOC (12) Cl.** **23-04**

(52) **U.S. Cl.**
USPC **D23/333**
CPC **F24F 11/30** (2018.01)

(58) **Field of Classification Search**
USPC D23/333, 335, 341, 342, 351, 353, 354, D23/355, 356, 359, 364, 365, 370, 385, D23/386, 388, 393
CPC .. F24F 11/30; F24F 11/52; F24F 11/46; F24F 11/83; F24F 2110/10; F24F 3/14; F24F 11/0001; F24F 11/54; F24F 11/56; F24F 11/58; F24F 11/62; F24F 11/64; F24F 11/66; F24F 11/70; F24F 11/72; F24F 11/74; F24F 11/76; F24F 11/77; F24F 11/84; F24F 11/85; F24F 11/86; F24F 11/89; F24F 13/20; F24F 13/28; F24F 1/022; F24F 1/38; F24F 2006/008; F24F 2006/046; F24F 2110/00; F24F 2110/40; F24F 2110/50; F24F 2110/64; F24F

2120/10; F24F 2140/12; F24F 2140/40; F24F 2140/50; F24F 2221/54; F24F 3/044; F24F 3/0442; F24F 3/0444; F24F 3/08; F24F 5/00; F24F 5/0003; F24F 6/04; F24F 6/16; F24F 7/007; F24F 7/10
See application file for complete search history.

(56) **References Cited**

U.S. PATENT DOCUMENTS

D580,537	S	*	11/2008	Niki	D23/351
D624,167	S	*	9/2010	Mishiro	D23/351
D701,295	S	*	3/2014	Chouji	D23/351
D720,444	S	*	12/2014	Chouji	D23/351
D720,842	S	*	1/2015	Chouji	D23/351
D726,295	S	*	4/2015	Kim	D23/351
D802,108	S	*	11/2017	Birchler	D23/351
D824,502	S	*	7/2018	Kudo	D23/351
D827,798	S	*	9/2018	Guan	D23/351

(Continued)

Primary Examiner — Richard E Chilcot

(74) *Attorney, Agent, or Firm* — Birch, Stewart, Kolasch & Birch, LLP

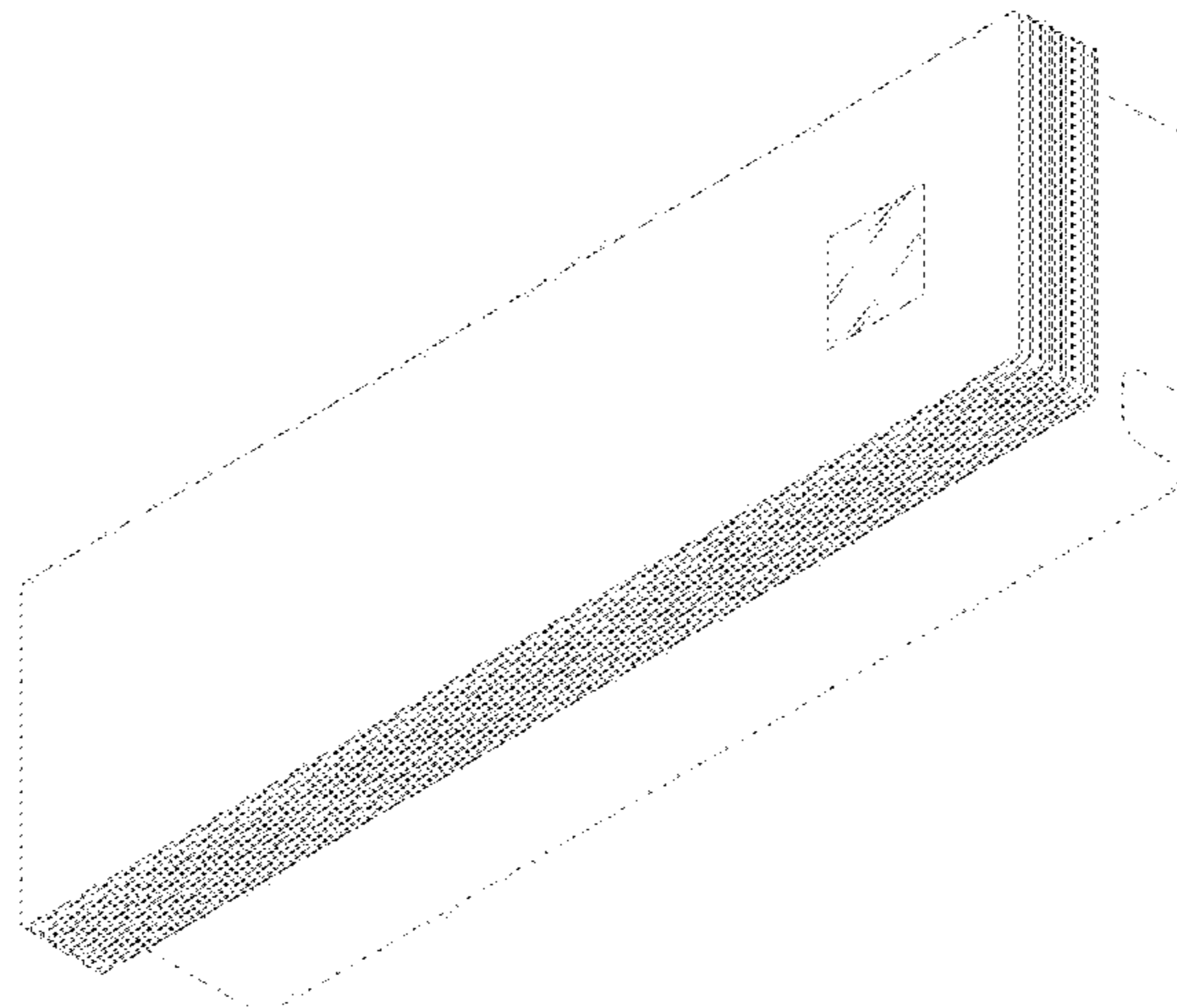
(57) **CLAIM**

The ornamental design for an air conditioner, as shown and described.

DESCRIPTION

1. Air conditioner
Reproduction **1.1** is a front perspective view of the air conditioner;
Reproduction **1.2** is a front view thereof;
Reproduction **1.3** is a back view thereof;
Reproduction **1.4** is a left view thereof;
Reproduction **1.5** is a right view thereof;
Reproduction **1.6** is a top view thereof;
Reproduction **1.7** is a bottom view thereof; and
Reproduction **1.8** is a reference view showing the use state in which the display part is operated.

(Continued)



The broken lines depict portions of air conditioner that form no part of the claimed design; the fine lines on the drawings indicate the display part.

1 Claim, 8 Drawing Sheets

(56)

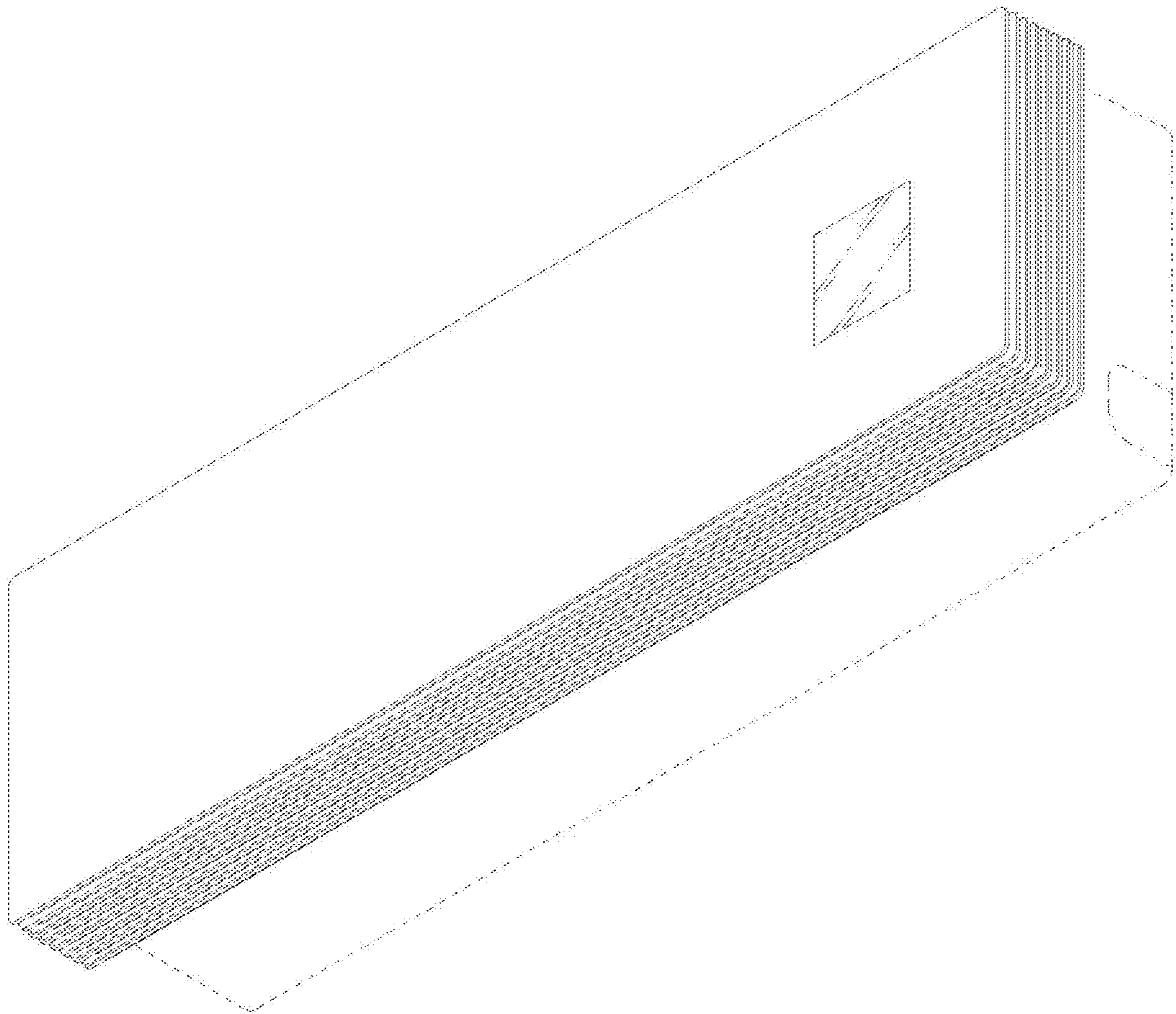
References Cited

U.S. PATENT DOCUMENTS

D855,166 S * 7/2019 Bae D23/351
D873,398 S * 1/2020 Seo D23/364

* cited by examiner

1.1



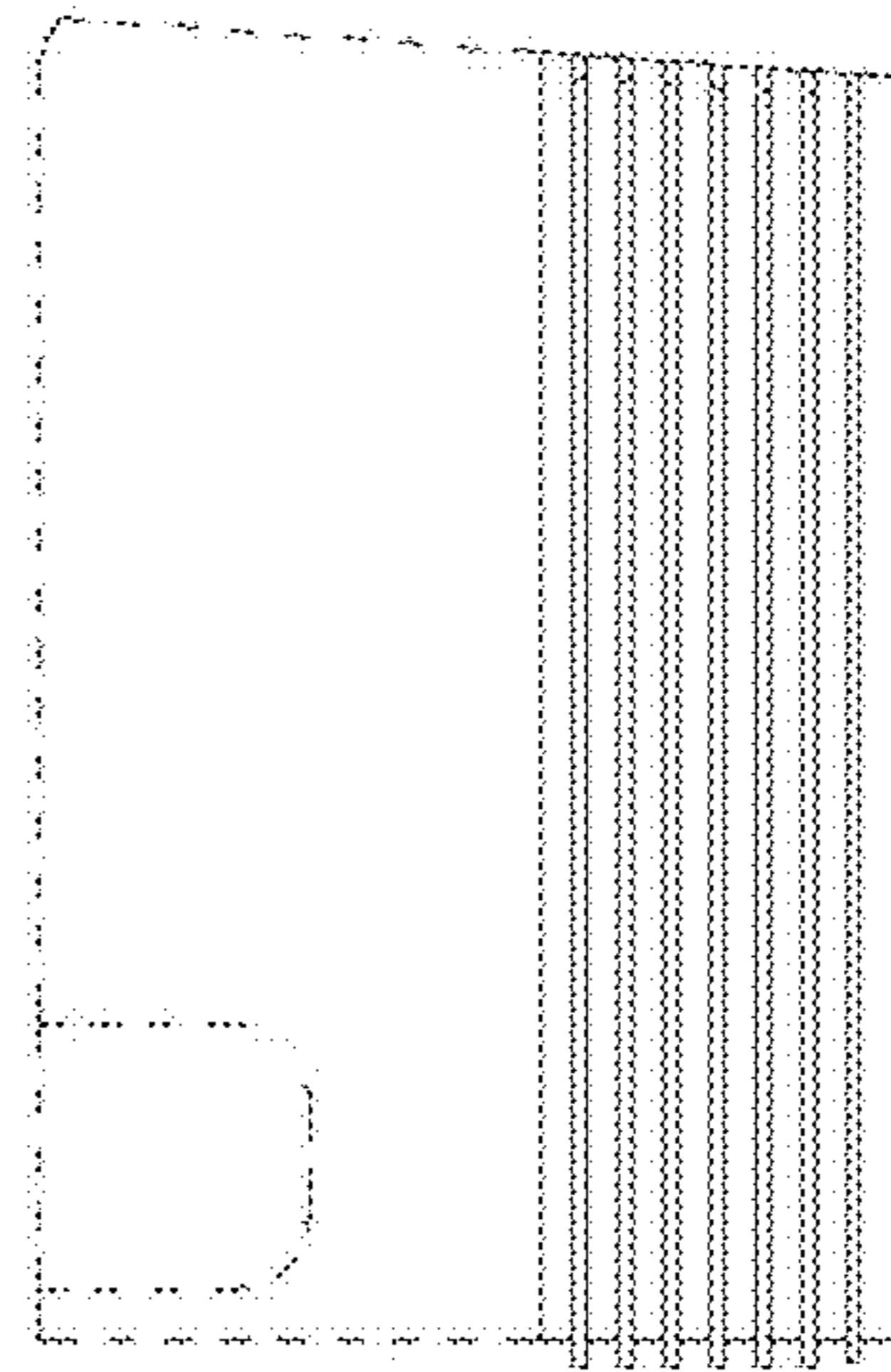
1.2



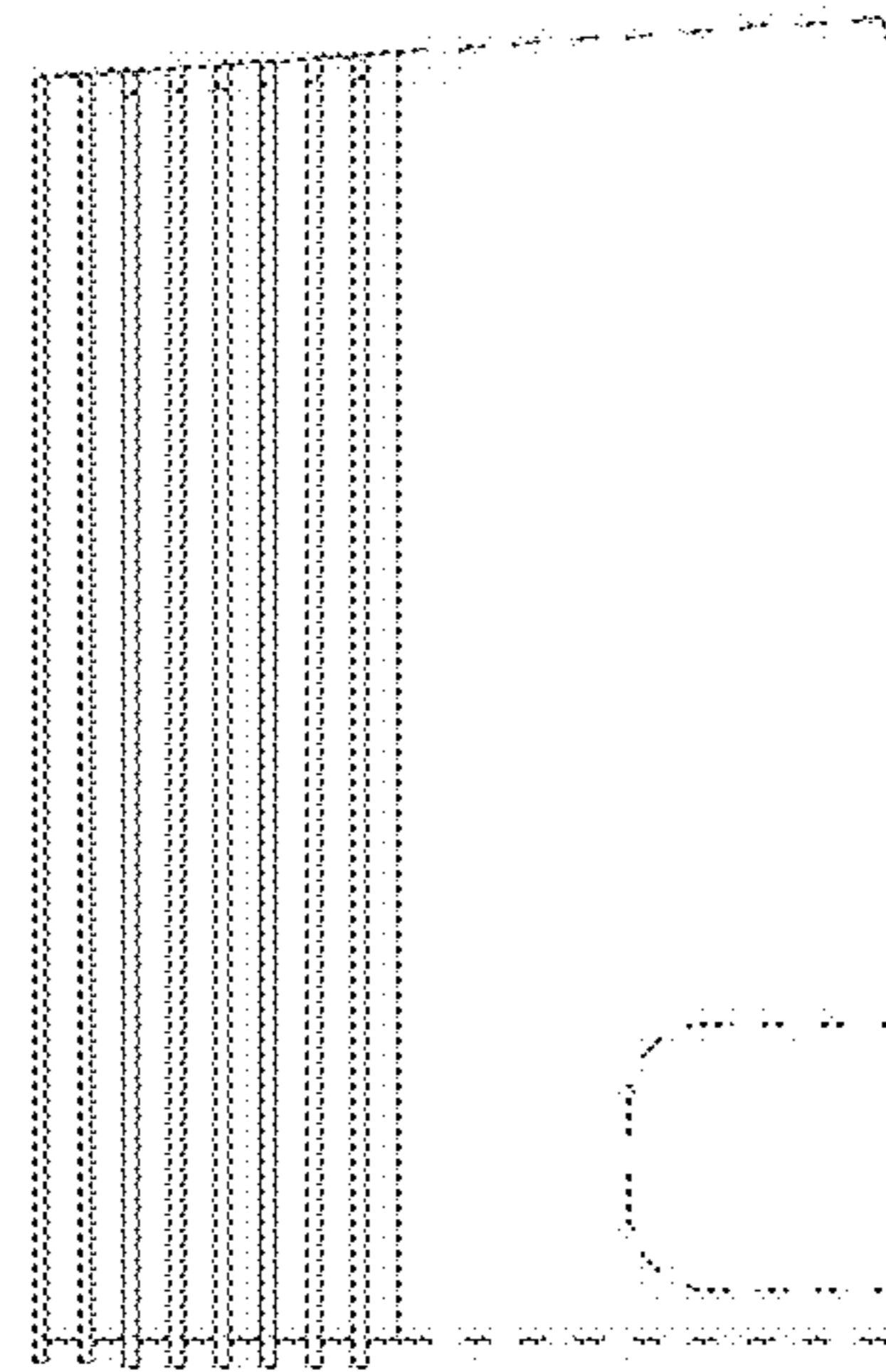
1.3



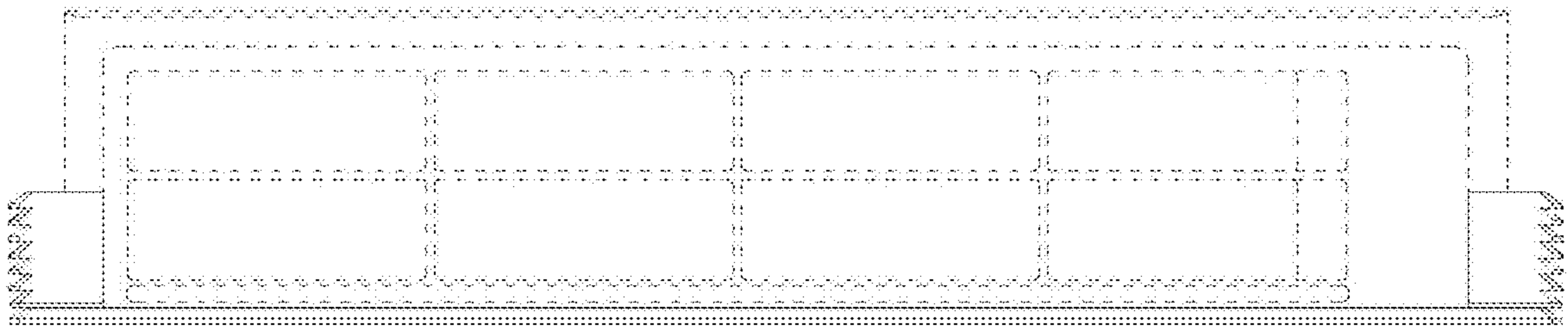
1.4



1.5



1.6



1.7



1.8

