



US00D901650S

(12) **United States Design Patent** (10) **Patent No.:** **US D901,650 S**  
**Uceda** (45) **Date of Patent:** **\*\* Nov. 10, 2020**

- (54) **TOILET**
- (71) Applicant: **Kohler Co.**, Kohler, WI (US)
- (72) Inventor: **Carlos F. Uceda**, Sheboygan, WI (US)
- (73) Assignee: **Kohler, Co.**, Kohler, WI (US)
- (\*\*) Term: **15 Years**
- (21) Appl. No.: **29/736,161**
- (22) Filed: **Jun. 4, 2020**

- D379,217 S 5/1997 Kergoet
- D390,934 S 2/1998 Mckeone
- D440,643 S 4/2001 Mckeone
- D471,621 S 3/2003 Bennie
- D531,714 S 11/2006 Soulier
- D541,915 S 5/2007 Bates
- D608,430 S 1/2010 Slothower
- D637,703 S 5/2011 Corpuz
- D662,575 S 6/2012 Corpuz, Jr.
- D759,796 S 6/2016 Bates

*Primary Examiner* — Robert A Delehanty  
(74) *Attorney, Agent, or Firm* — Lempia Summerfield Katz LLC

**Related U.S. Application Data**

- (62) Division of application No. 29/729,743, filed on Mar. 30, 2020, which is a division of application No. 29/671,259, filed on Nov. 26, 2018, now Pat. No. Des. 893,686.
- (51) **LOC (12) Cl.** ..... **23-02**
- (52) **U.S. Cl.**  
USPC ..... **D23/313**
- (58) **Field of Classification Search**  
USPC ..... D23/295, 301, 303, 310, 313  
CPC ..... A47K 11/00  
See application file for complete search history.

**References Cited**

**U.S. PATENT DOCUMENTS**

- D298,565 S 11/1988 Kohler
- D323,381 S 1/1992 Zmuda
- D349,953 S 8/1994 Kohler

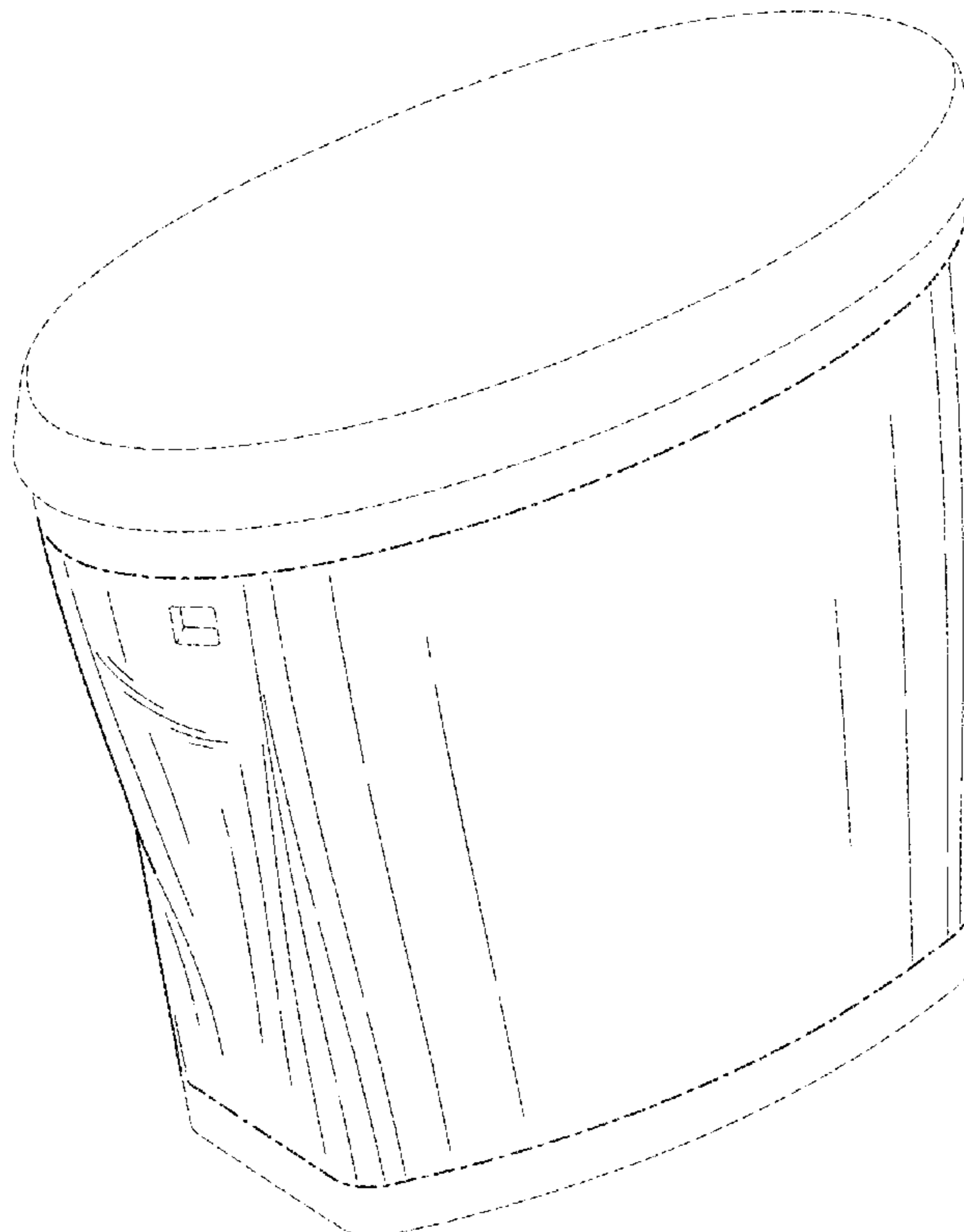
(57) **CLAIM**

I claim the ornamental design for a toilet, as shown and described.

**DESCRIPTION**

FIG. 1 is a perspective view of another embodiment of the claimed design;  
FIG. 2 is a front view of the embodiment of FIG. 1;  
FIG. 3 is a rear view of the embodiment of FIG. 1;  
FIG. 4 is a side view of the embodiment of FIG. 1;  
FIG. 5 is another side view of the embodiment of FIG. 1;  
FIG. 6 is a top view of the embodiment of FIG. 1; and,  
FIG. 7 is a bottom view of the embodiment of FIG. 1.  
The ornamental design which is claimed is shown in solid lines in the drawings: The broken lines in the drawings are for illustrative purposes only and form no part of the claimed design. Broken lines formed of unequal length dashes (i.e., dash-dot) define bounds of the claimed design.

**1 Claim, 5 Drawing Sheets**



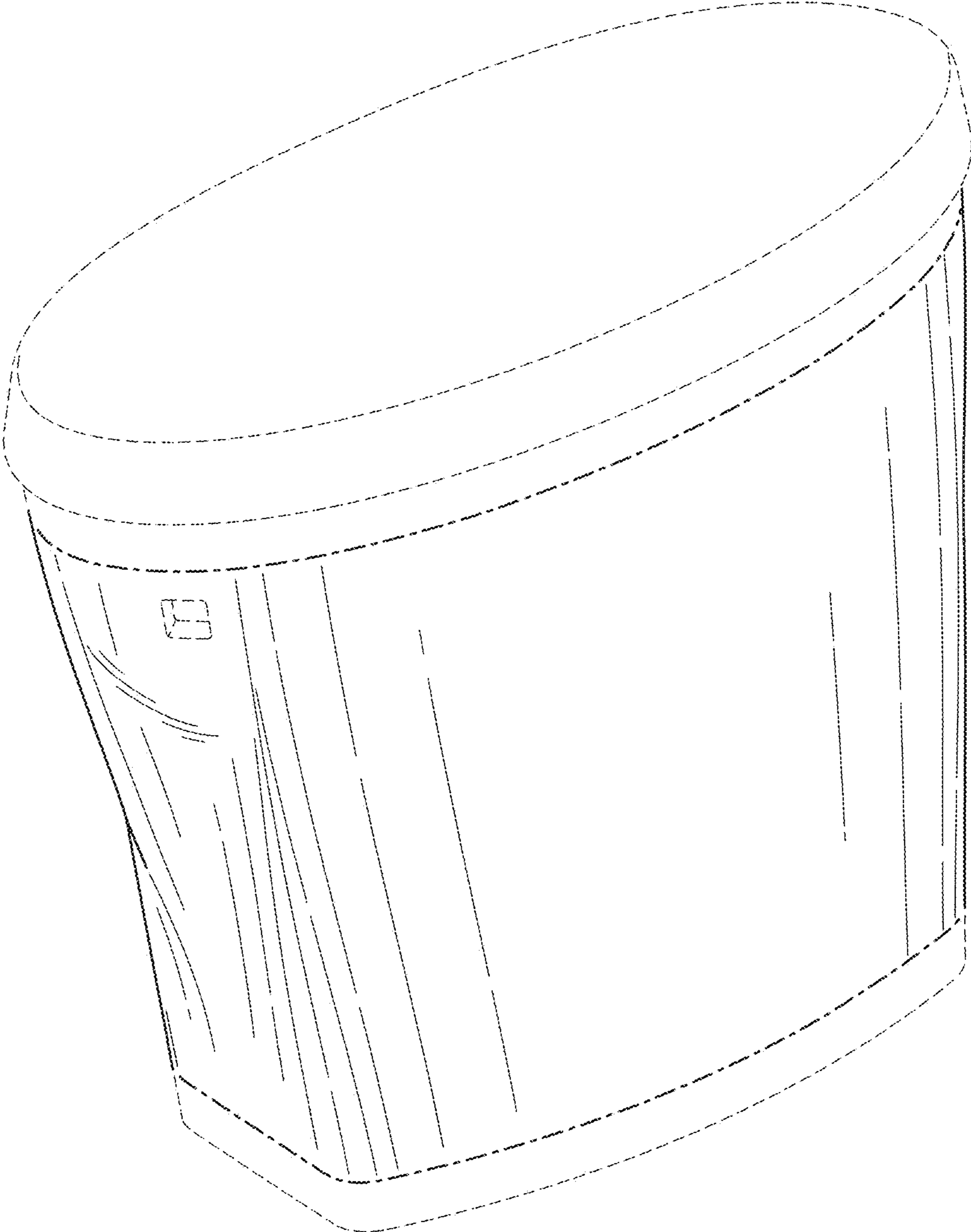


FIG. 1

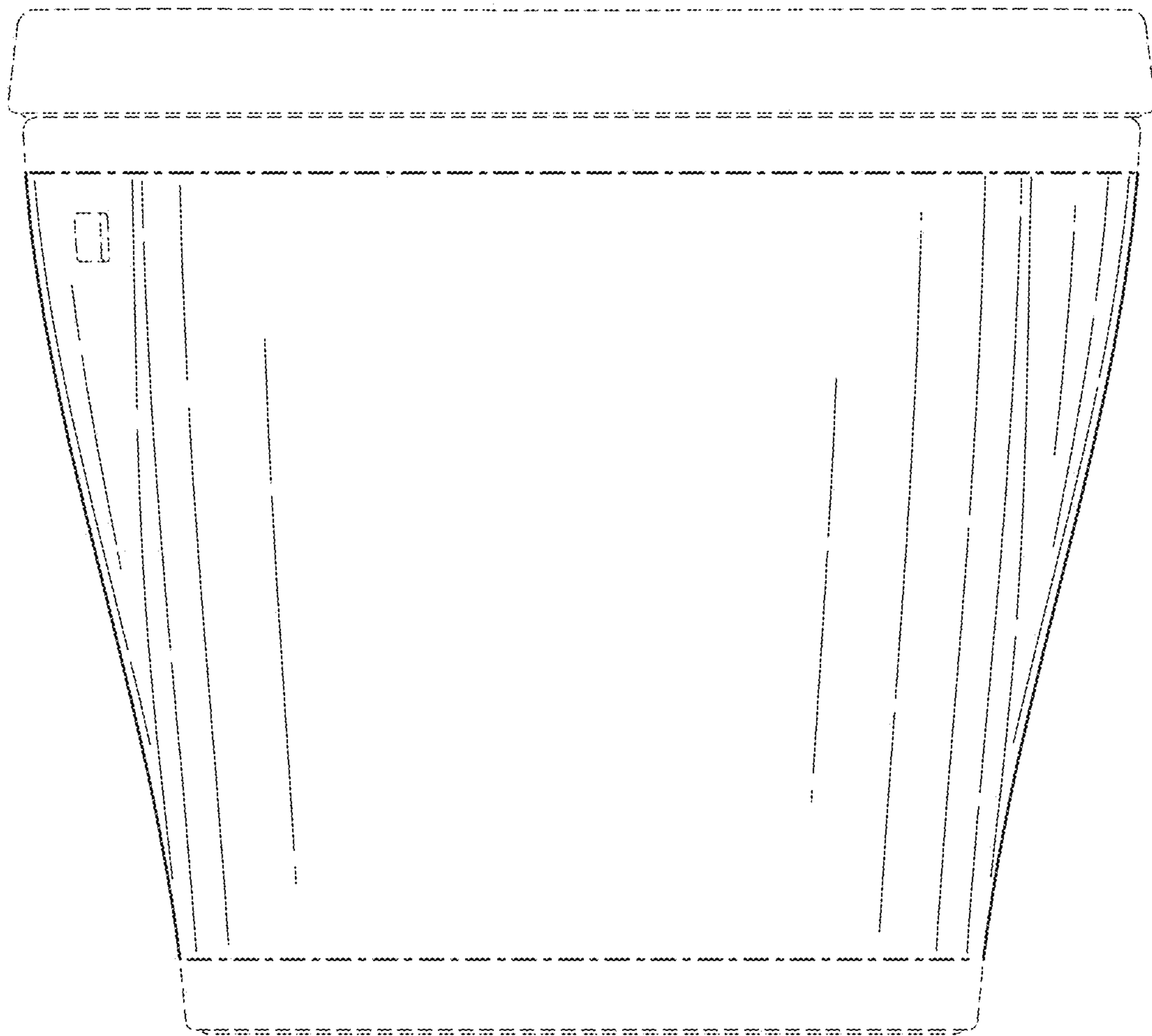


FIG. 2

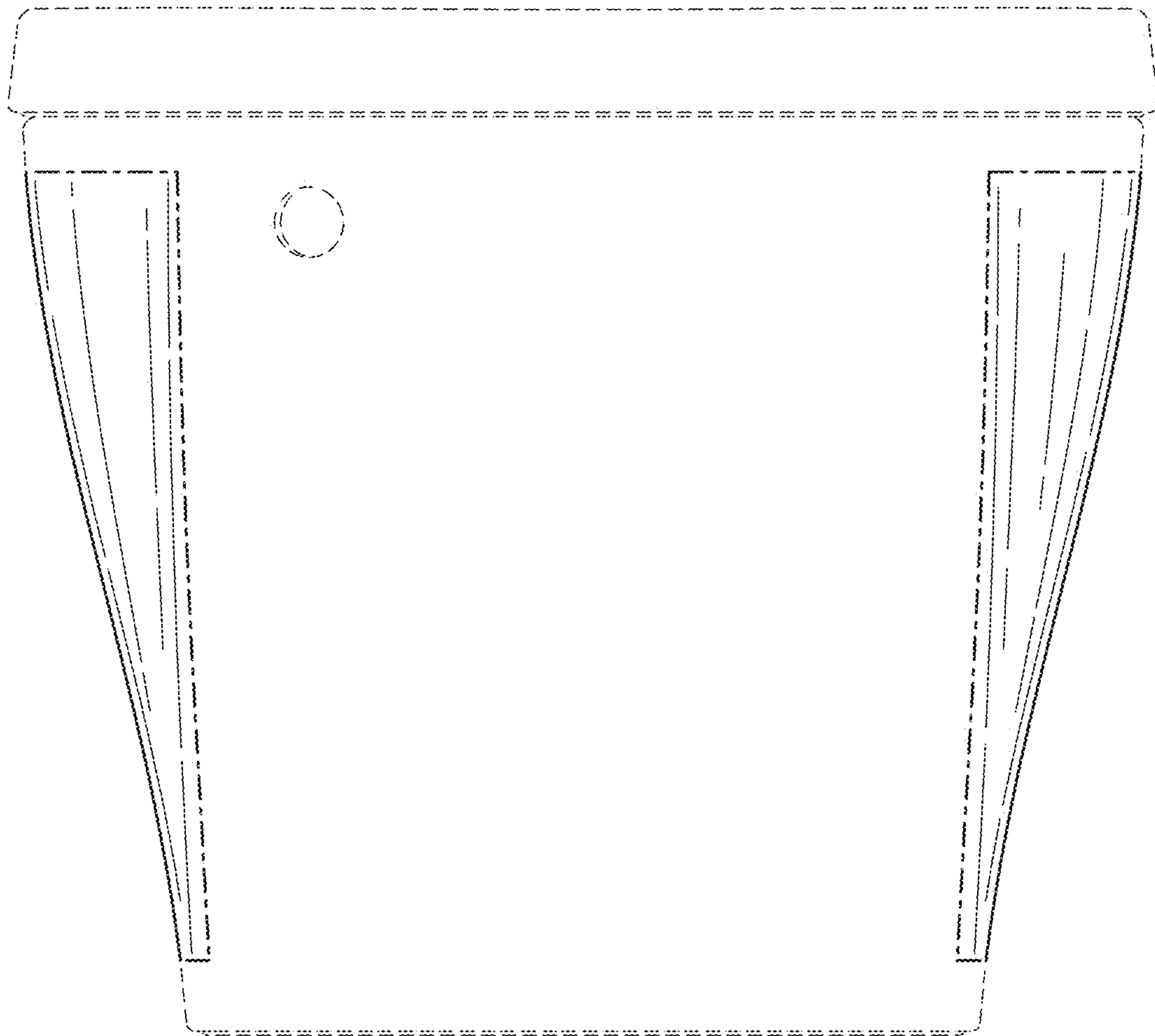


FIG. 3

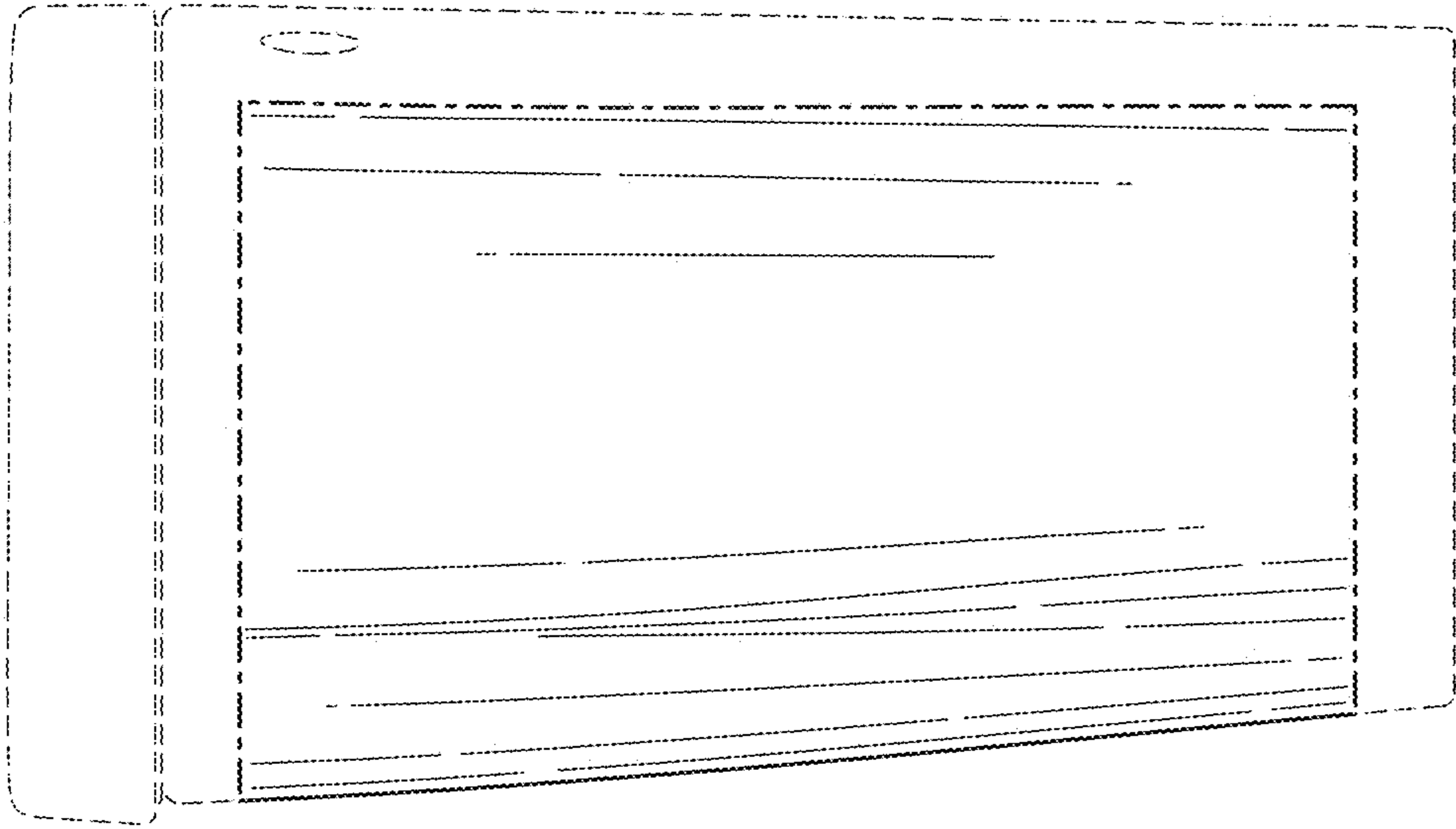


FIG. 4

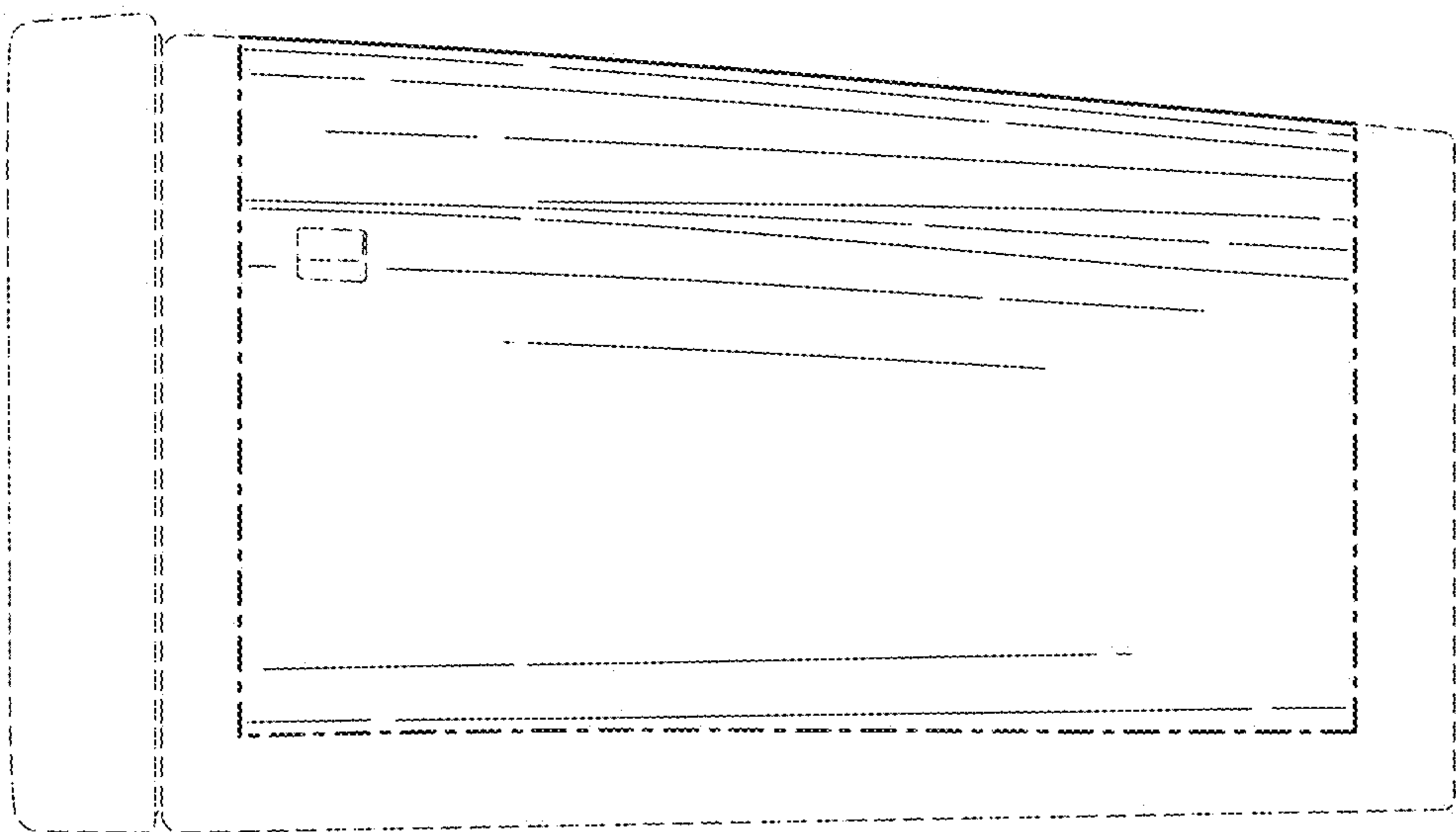


FIG. 5

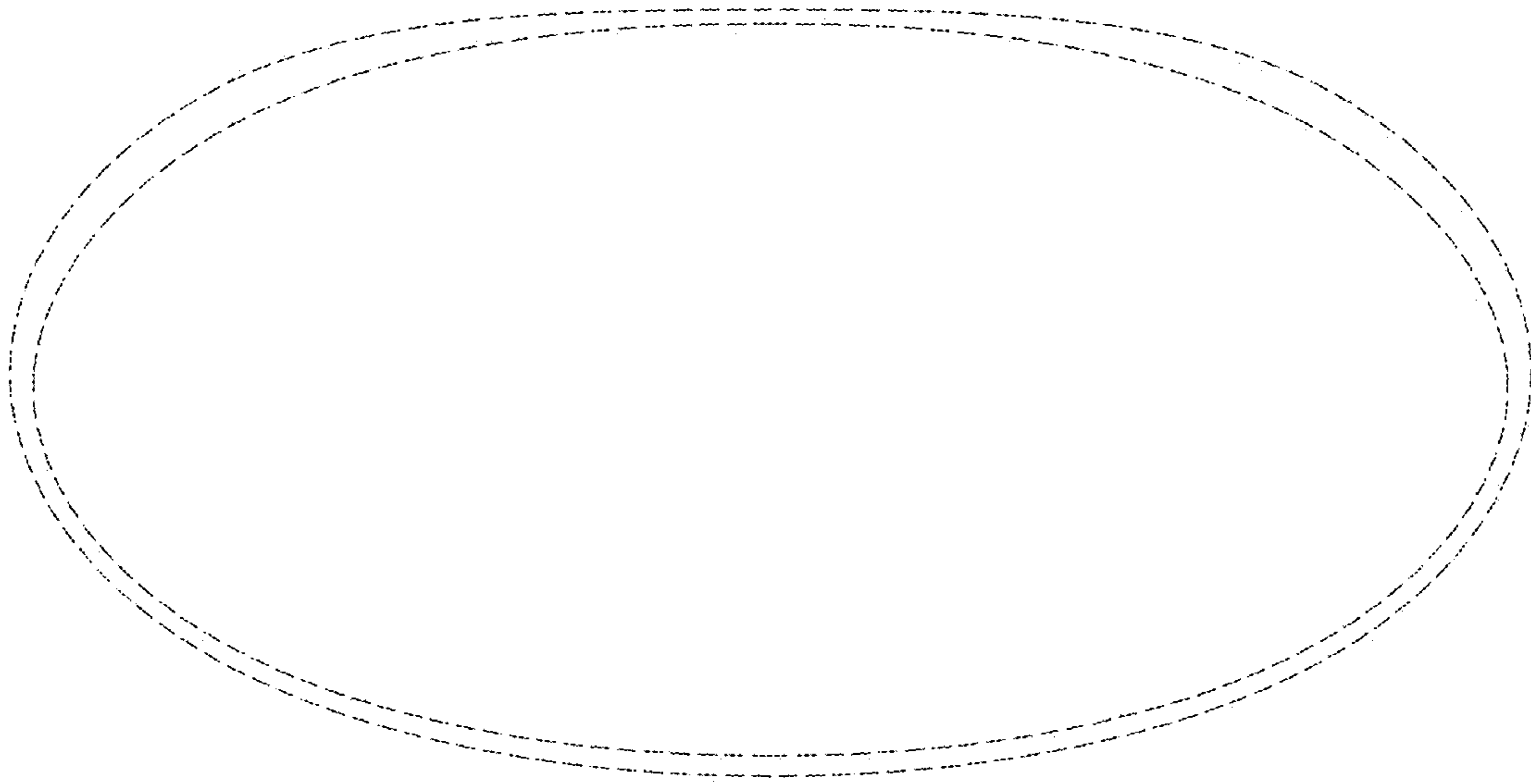


FIG. 6

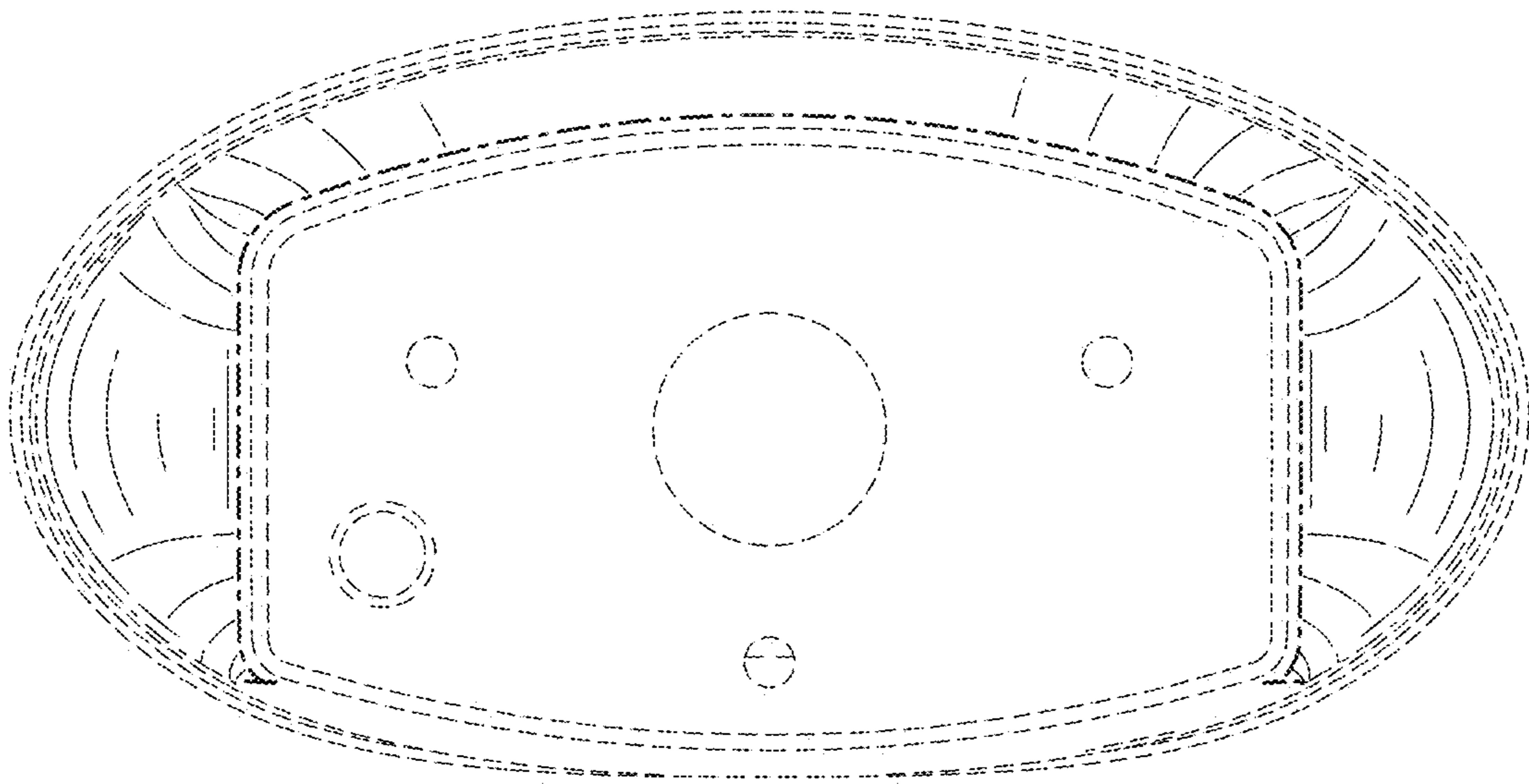


FIG. 7