



US00D901649S

(12) **United States Design Patent** (10) **Patent No.:** **US D901,649 S**  
**Uceda** (45) **Date of Patent:** **\*\* Nov. 10, 2020**

(54) **TOILET**

(71) Applicant: **Kohler Co.**, Kohler, WI (US)

(72) Inventor: **Carlos F. Uceda**, Sheboygan, WI (US)

(73) Assignee: **Kohler Co.**, Kohler, WI (US)

(\*\*) Term: **15 Years**

(21) Appl. No.: **29/729,743**

(22) Filed: **Mar. 30, 2020**

D471,621 S 3/2003 Bennie  
D531,714 S 11/2006 Soulier  
D541,915 S 5/2007 Bates  
D603,489 S 11/2009 Bucher  
D608,430 S 1/2010 Slothower et al.  
D637,703 S 5/2011 Corpuz et al.  
D662,575 S 6/2012 Corpuz et al.  
D702,819 S 4/2014 Garland et al.  
D759,796 S 6/2016 Bates  
D863,517 S 10/2019 Garrels et al.  
10,485,390 B2 11/2019 Murphy et al.

*Primary Examiner* — Robert A Delehanty

(74) *Attorney, Agent, or Firm* — Lempia Summerfield Katz LLC

**Related U.S. Application Data**

(62) Division of application No. 29/671,259, filed on Nov. 26, 2018, now Pat. No. Des. 893,686.

(51) **LOC (12) Cl.** ..... **23-02**

(52) **U.S. Cl.**  
USPC ..... **D23/301**

(58) **Field of Classification Search**  
USPC ..... D23/295, 301, 303, 310, 313  
CPC ..... A47K 11/00  
See application file for complete search history.

(56) **References Cited**

**U.S. PATENT DOCUMENTS**

D298,565 S 11/1988 Kohler, Jr.  
D323,381 S 1/1992 McKeone et al.  
D349,953 S 8/1994 Kohler, Jr. et al.  
D379,217 S 5/1997 Kergoet  
D390,934 S 2/1998 McKeone  
D440,643 S 4/2001 McKeone

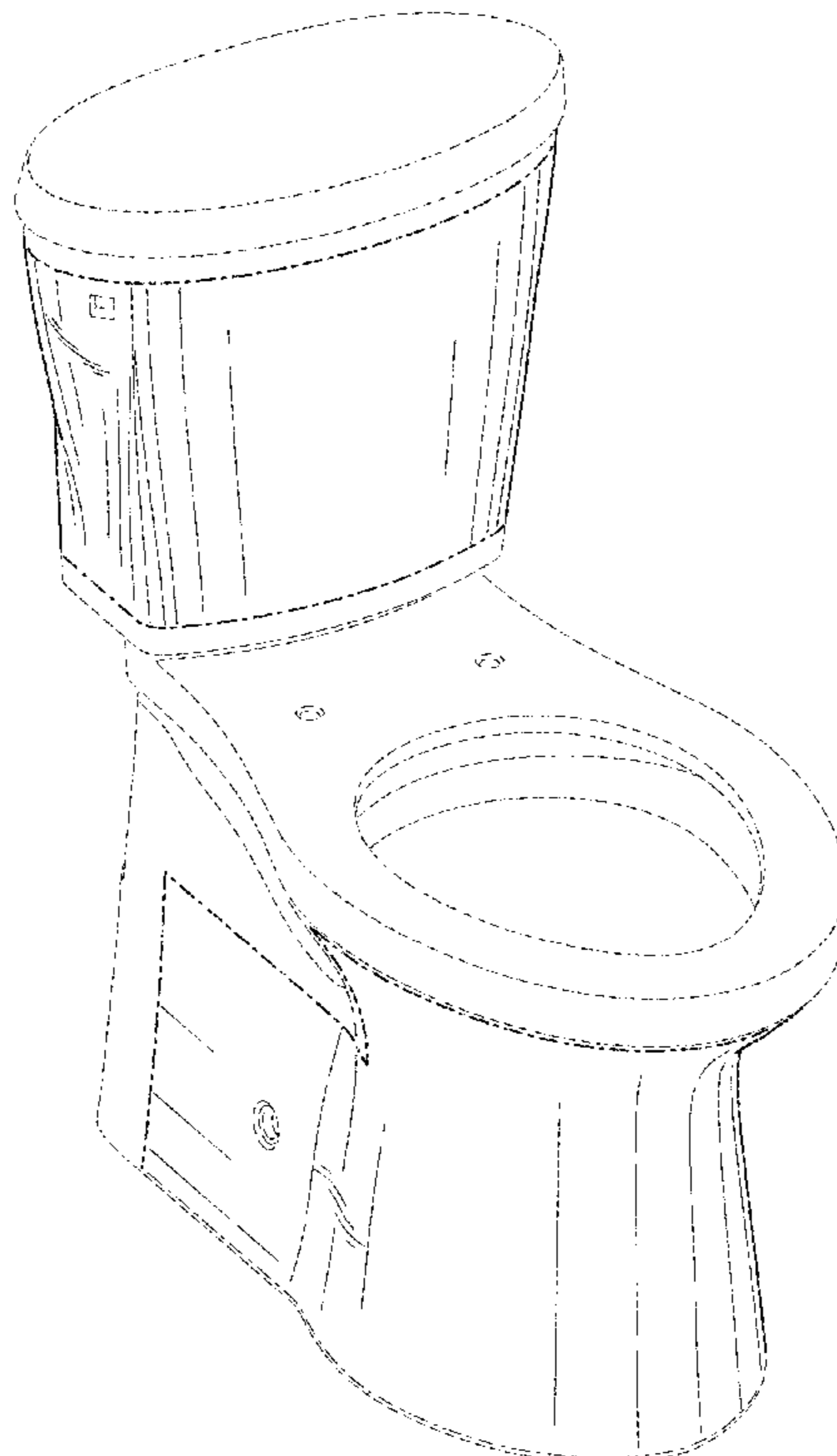
(57) **CLAIM**

I claim the ornamental design for a toilet, as shown and described.

**DESCRIPTION**

FIG. 1 is a perspective view of an embodiment of the claimed design;  
FIG. 2 is a front view of the embodiment of FIG. 1;  
FIG. 3 is a rear view of the embodiment of FIG. 1;  
FIG. 4 is a side view of the embodiment of FIG. 1;  
FIG. 5 is another side view of the embodiment of FIG. 1;  
FIG. 6 is a top view of the embodiment of FIG. 1; and,  
FIG. 7 is a bottom view of the embodiment of FIG. 1.  
The ornamental design which is claimed is shown in solid lines in the drawings. The broken lines in the drawings are for illustrative purposes only and form no part of the claimed design. Broken lines formed of unequal length dashes (i.e., dash-dot) define bounds of the claimed design.

**1 Claim, 7 Drawing Sheets**



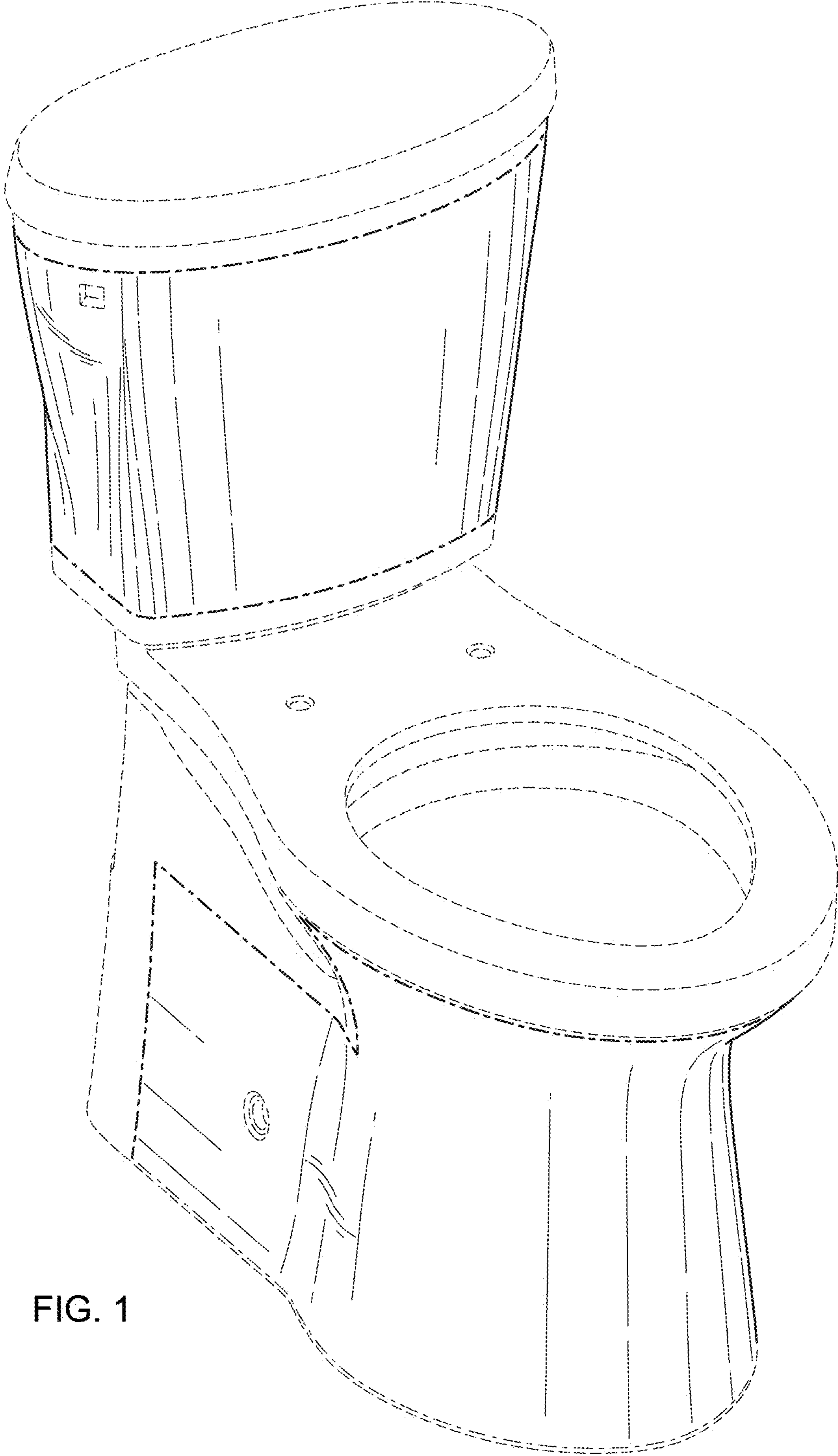


FIG. 1

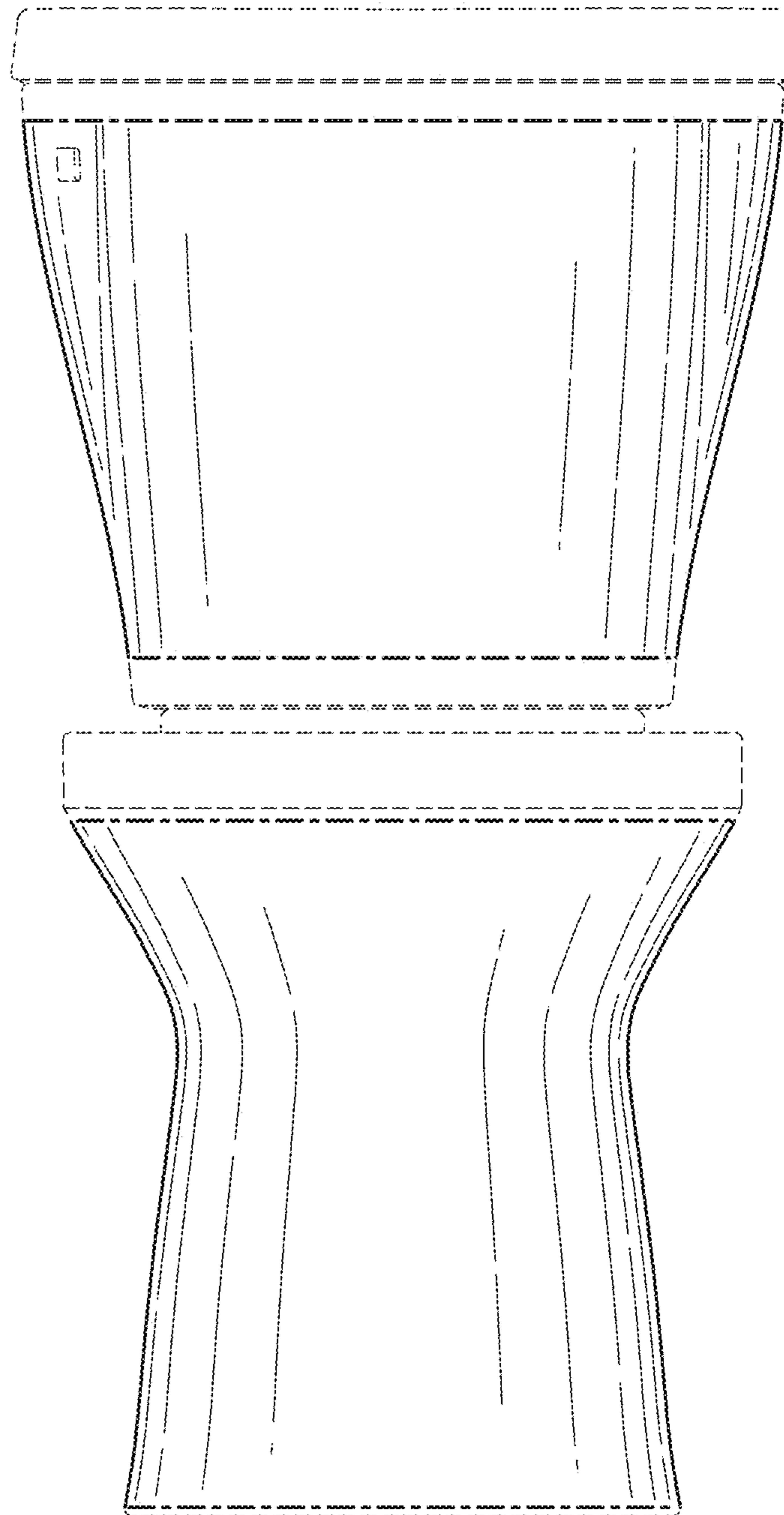


FIG. 2

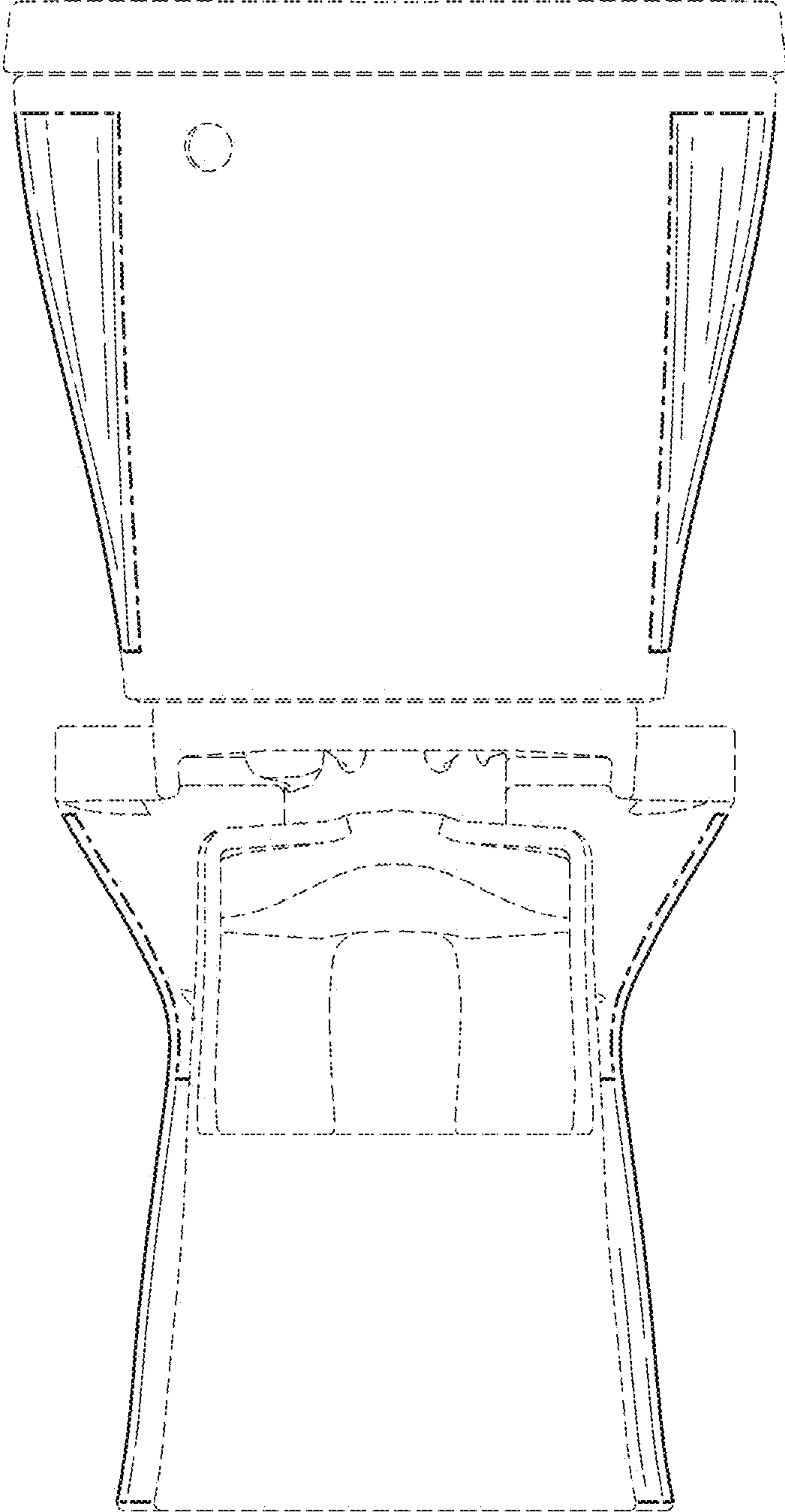


FIG. 3

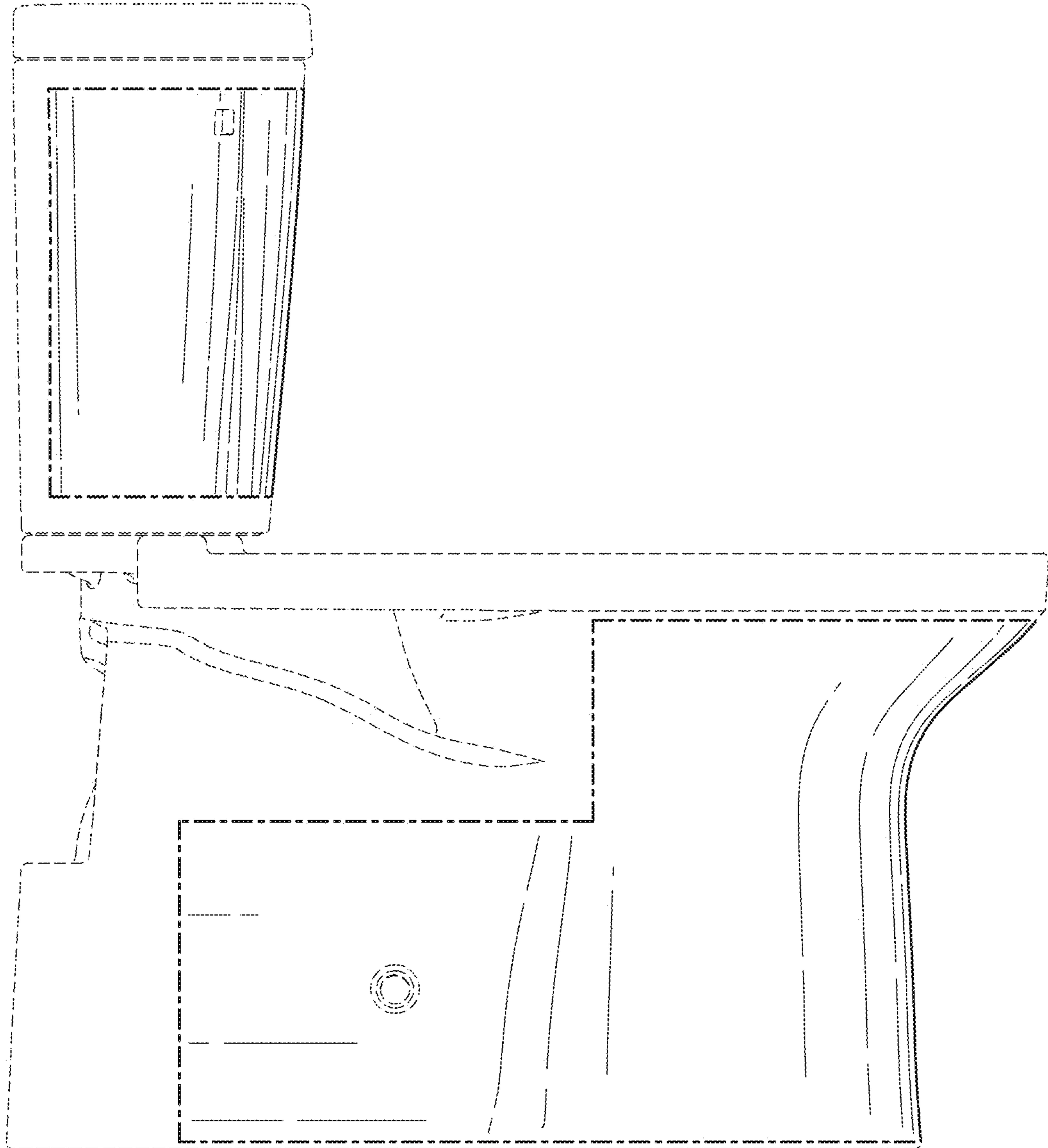


FIG. 4

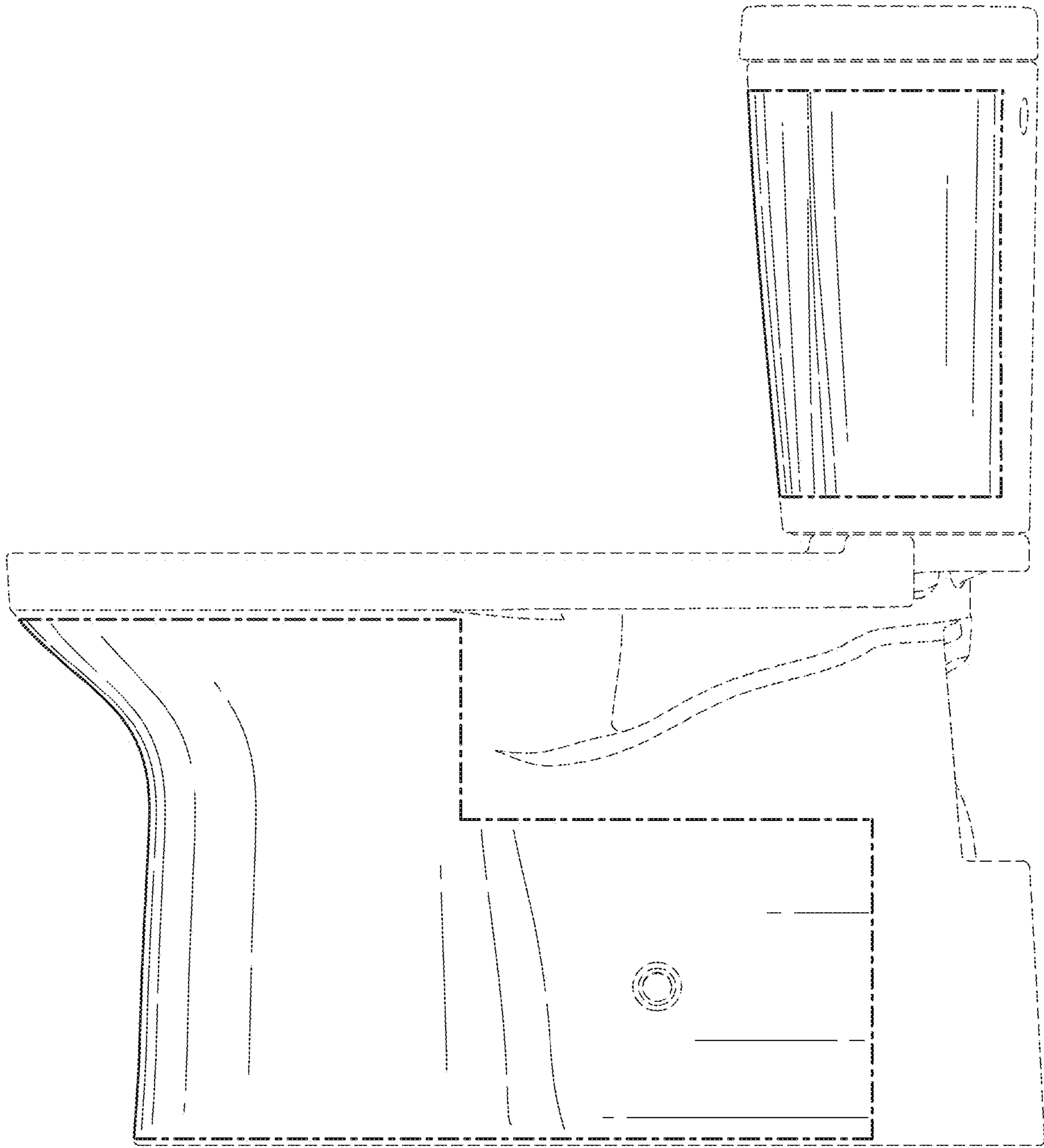


FIG. 5

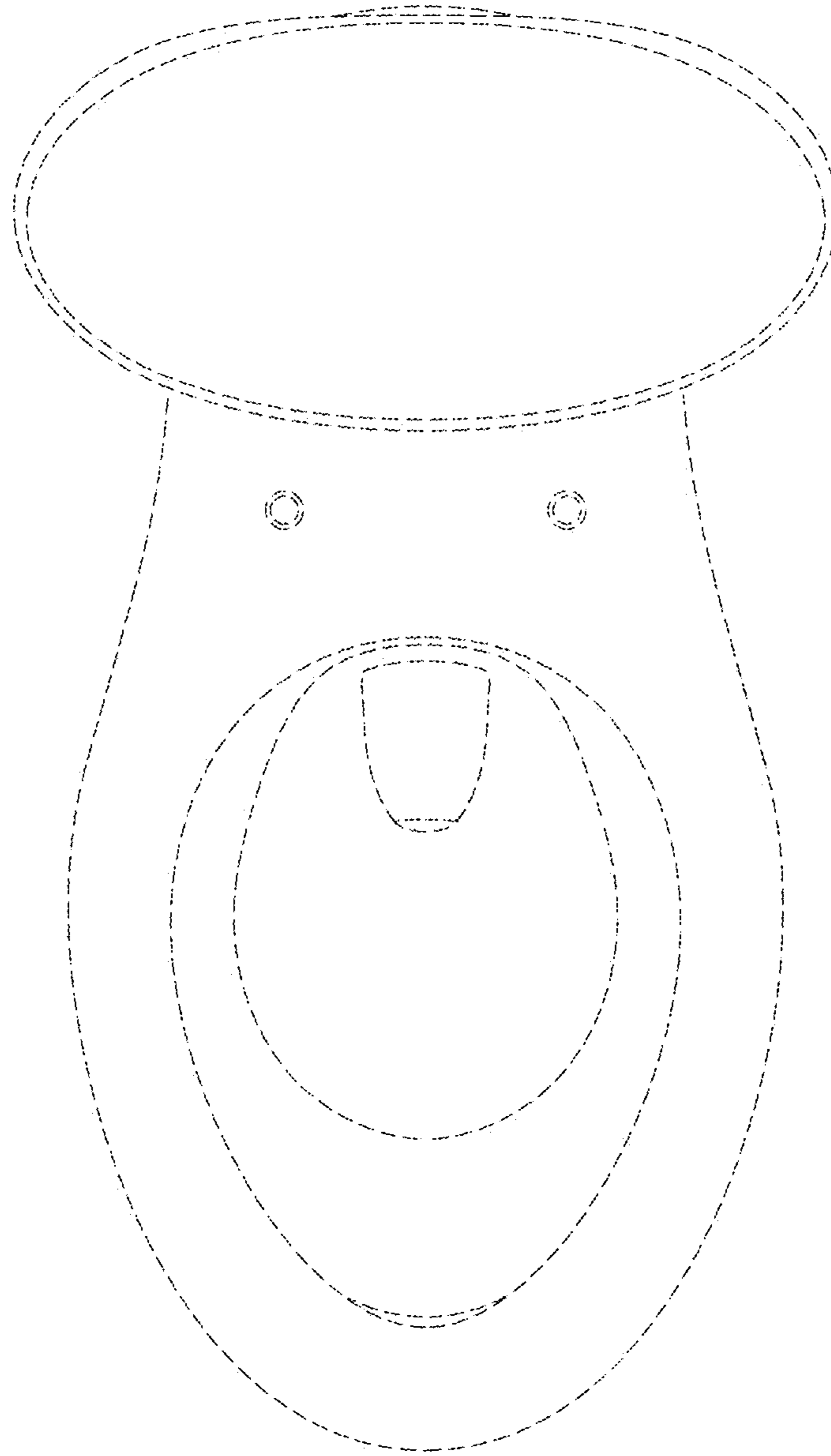


FIG. 6

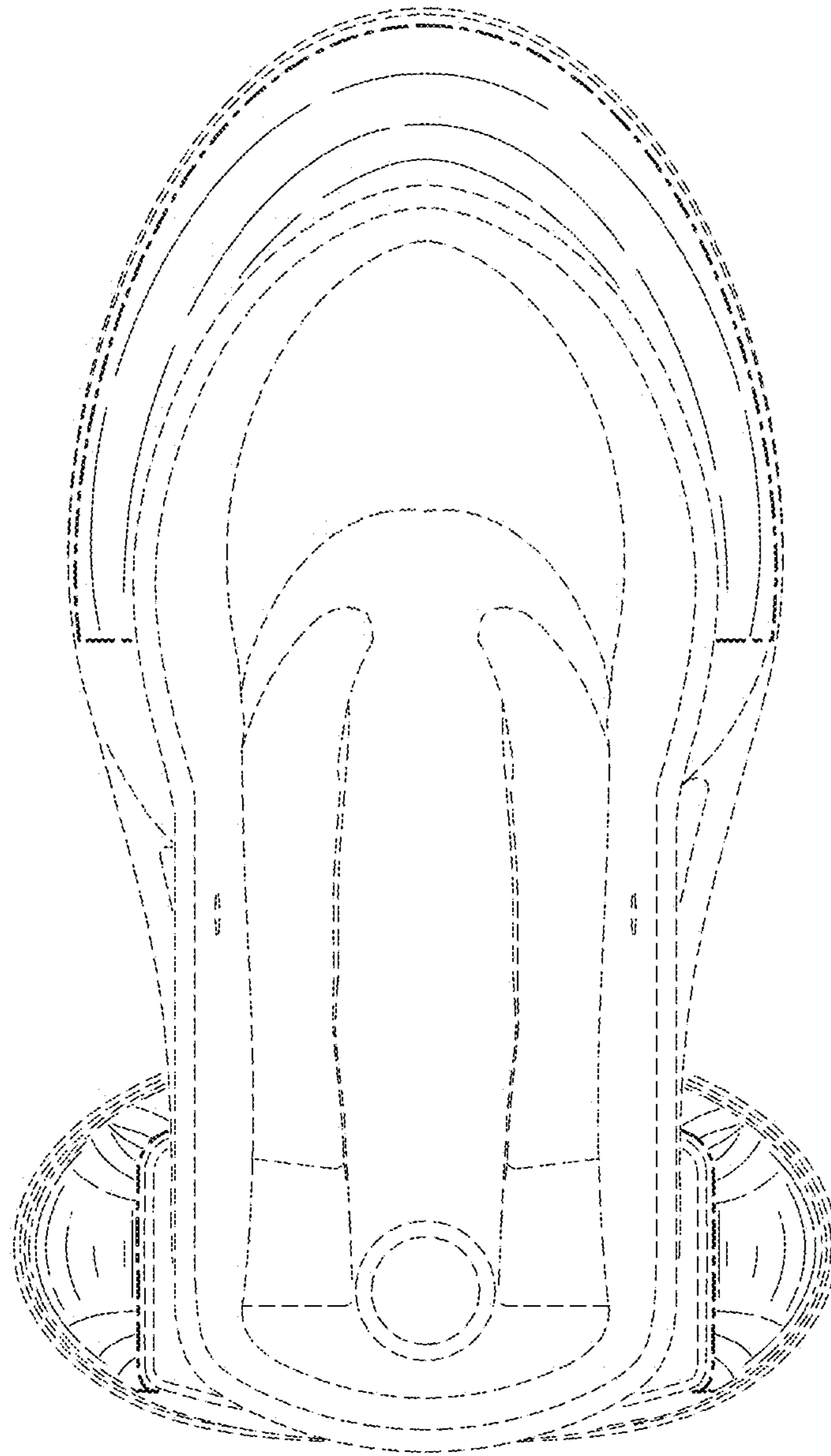


FIG. 7