



US00D901646S

(12) **United States Design Patent** (10) **Patent No.:** **US D901,646 S**
Chen (45) **Date of Patent:** **** Nov. 10, 2020**

(54) **BATHTUB DRAIN HAIR CATCHER**

FOREIGN PATENT DOCUMENTS

(71) Applicant: **Chudun Chen**, Puning (CN)

JP 2012207417 A * 10/2012
JP 2014122543 A * 7/2014
JP 2016223177 A * 12/2016

(72) Inventor: **Chudun Chen**, Puning (CN)

(**) Term: **15 Years**

OTHER PUBLICATIONS

(21) Appl. No.: **29/698,265**

(22) Filed: **Jul. 16, 2019**

Lekeye Drain Hair Catcher; Amazon Earliest Review Date Jul. 23, 2019; Visited online Sep. 13, 2020; https://www.amazon.com/LEKEYE-Catcher-Strainer-Stainless-Protector/dp/B07TGJYNGZ/ref=cm_cr_ar_p_d_product_top?ie=UTF8 (Year: 2019).
MFTEK Drain Hair Catcher; Amazon Date First Available May 6, 2020; https://www.amazon.com/MFTEK-Protector-Stainless-Strainer-Bathroom/dp/B08867BF19/ref=sr_1_1?crid=3H96OSWQDH0R8&dchild=1&keywords=mftek+drain+hair+catcher&qid=1600057357&s=home-garden&sprefix=MFTEK+Drain%2Cgarden%2C168&sr=1-1 (Year: 2020).*

(51) **LOC (12) Cl.** **23-01**

(52) **U.S. Cl.**
USPC **D23/261**

(58) **Field of Classification Search**
USPC D23/269-262; 210/163-164; 4/286-295, 4/679, 613, 689, 684; D7/667
CPC E02D 31/02; E03F 3/046
See application file for complete search history.

* cited by examiner

Primary Examiner — Amy C Wierenga

(56) **References Cited**

(57) **CLAIM**

The ornamental design for a bathtub drain hair catcher, as shown and described.

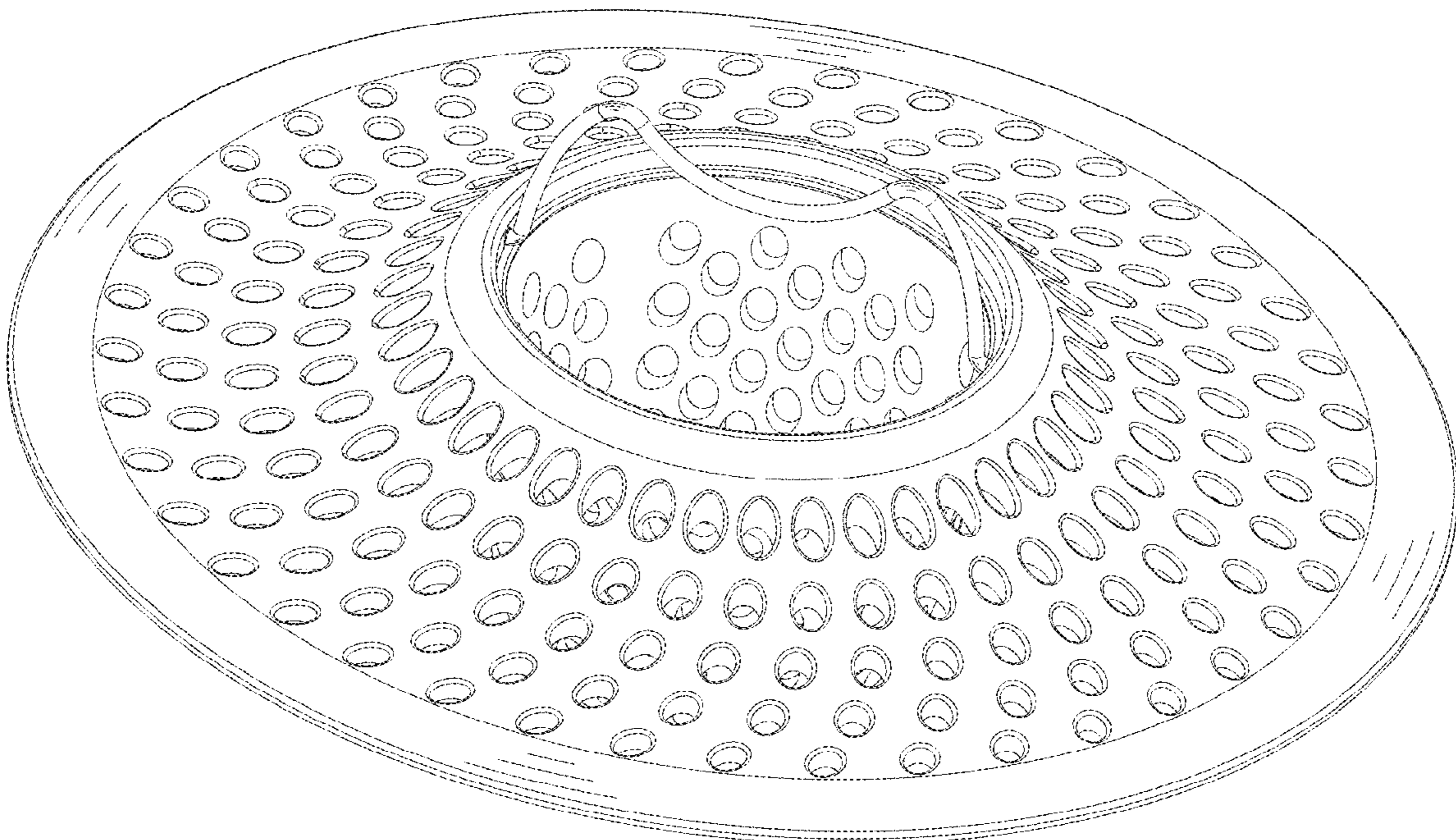
U.S. PATENT DOCUMENTS

DESCRIPTION

1,494,882 A * 5/1924 Barger E03C 1/264
4/292
2,094,286 A * 9/1937 Vogt E03C 1/264
4/292
D550,819 S * 9/2007 Seehoff D23/261
D730,493 S * 5/2015 Sehl D23/261
D743,509 S * 11/2015 Traub D23/261
D777,887 S * 1/2017 Johansen D23/261
D779,045 S * 2/2017 Johansen D23/261
D794,759 S * 8/2017 Karnege D23/261
D855,160 S * 7/2019 Najimi D23/261
2016/0040410 A1 * 2/2016 Carpenter-Crawford
E03C 1/244
4/652

FIG. 1 is a front perspective view of the bathtub drain hair catcher showing my new design;
FIG. 2 is a rear perspective view thereof;
FIG. 3 is a front elevational view thereof;
FIG. 4 is a rear elevational view thereof;
FIG. 5 is a left side elevational view thereof;
FIG. 6 is a right side elevational view thereof;
FIG. 7 is a top plan view thereof; and,
FIG. 8 is a bottom plan view thereof.

1 Claim, 8 Drawing Sheets



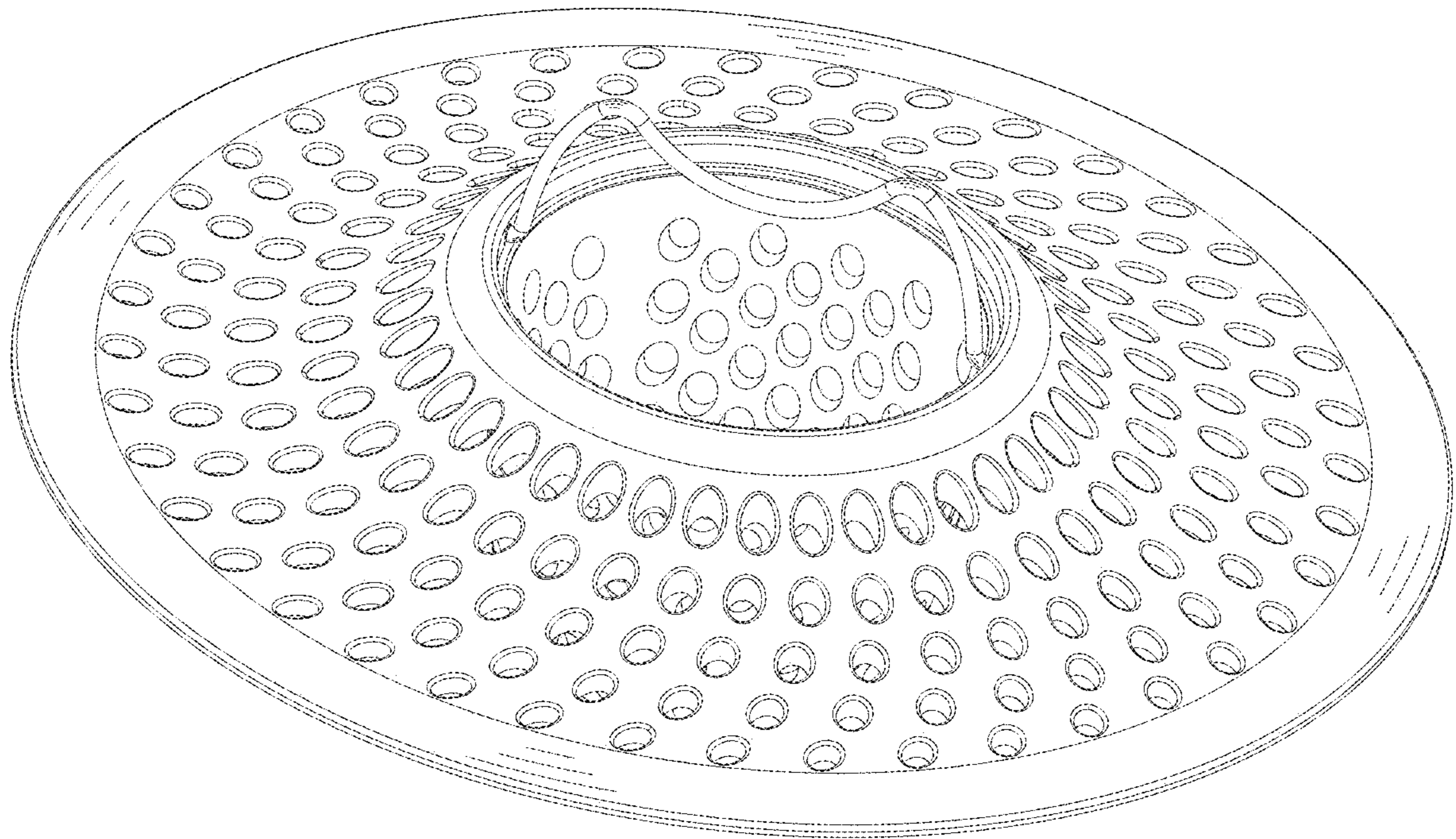


FIG.1

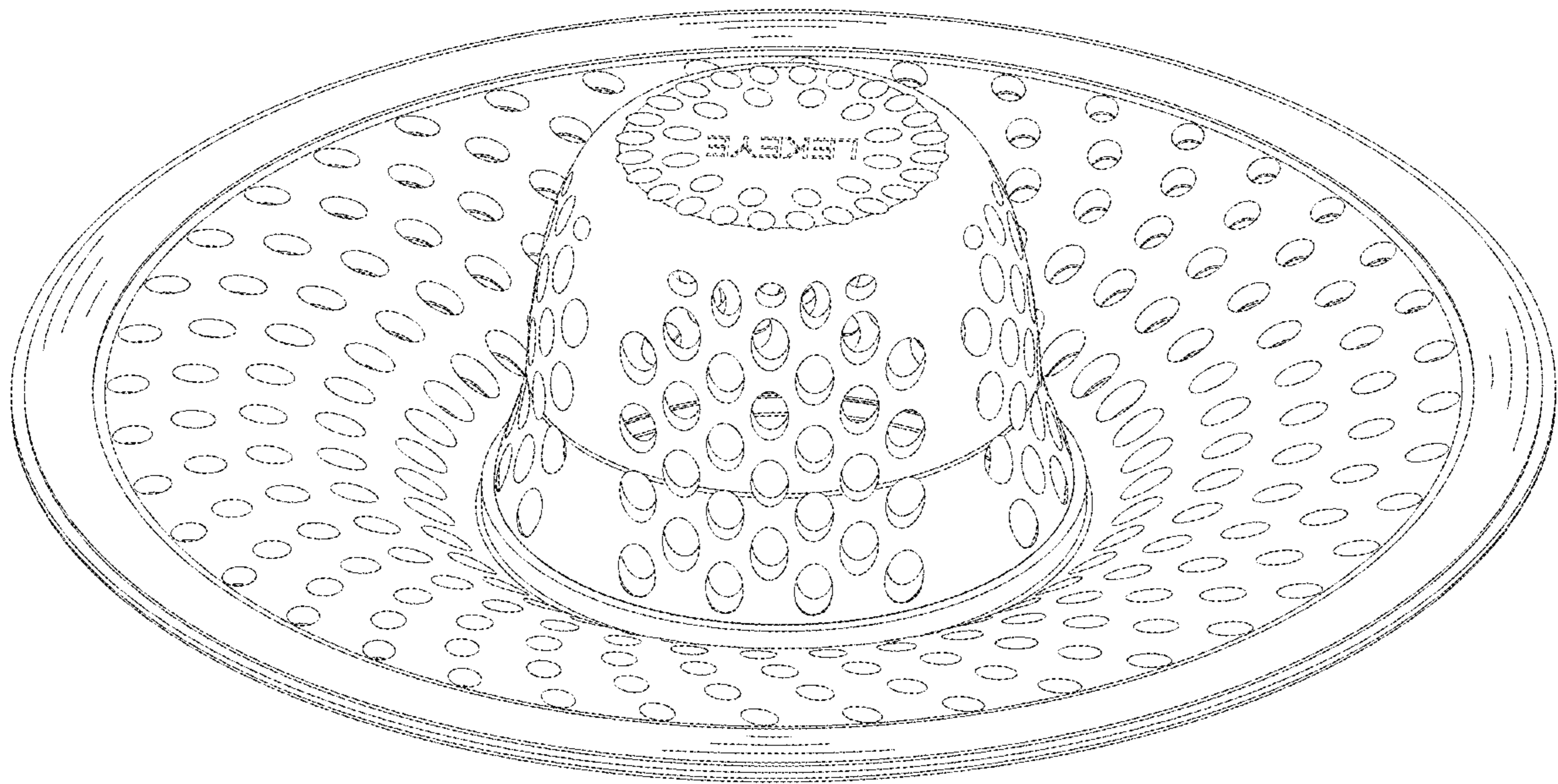


FIG. 2

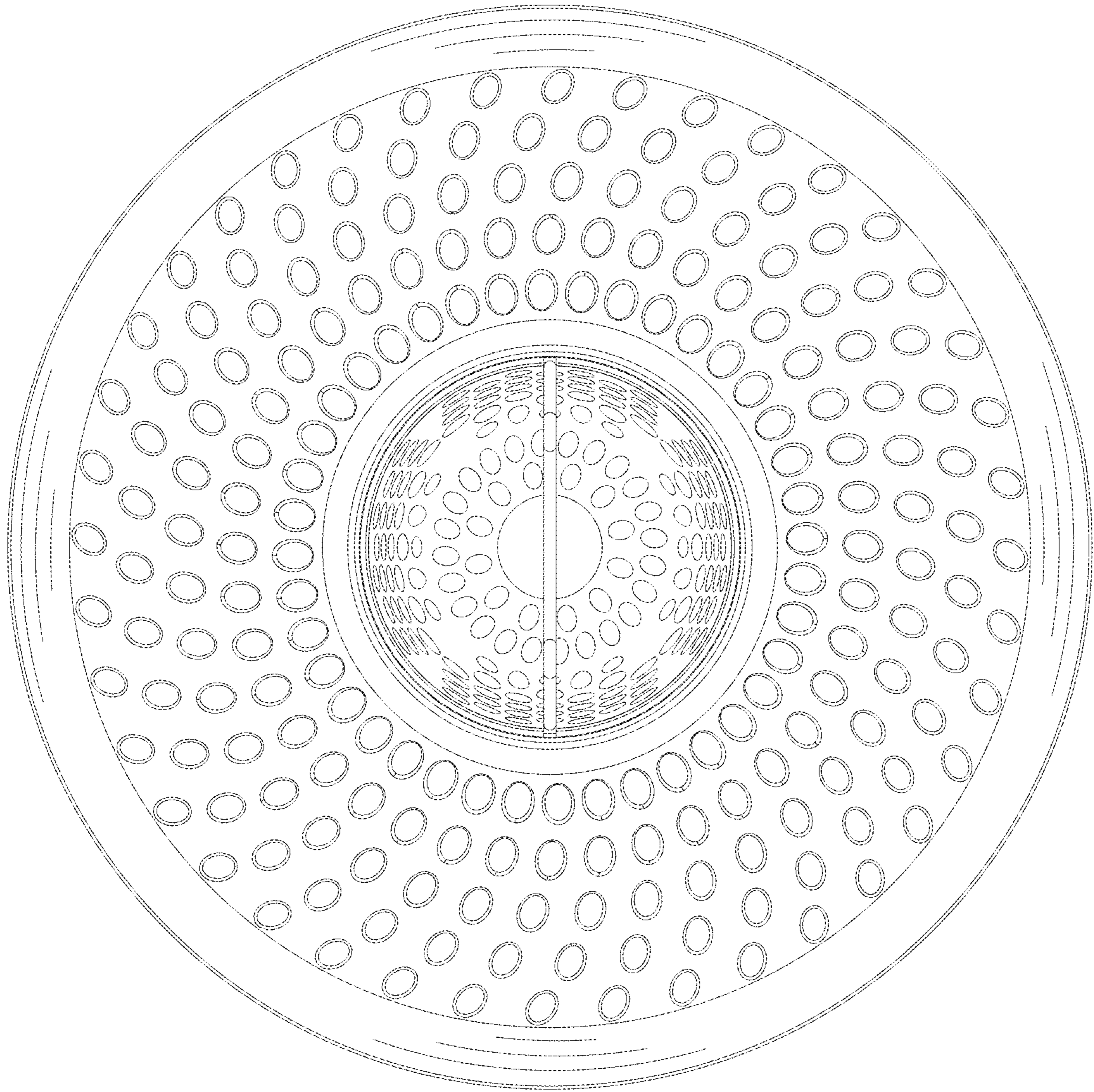


FIG.3

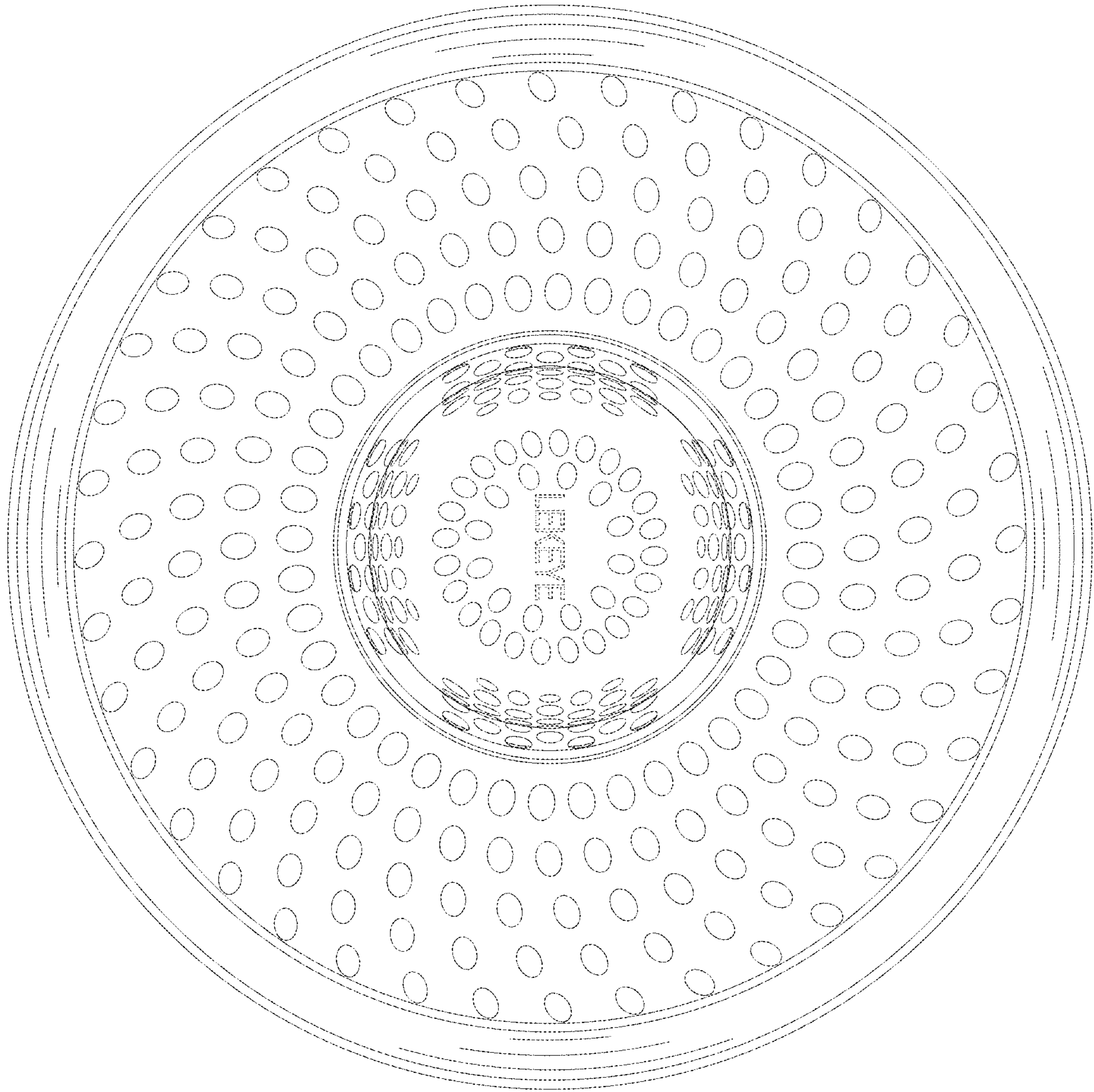


FIG.4

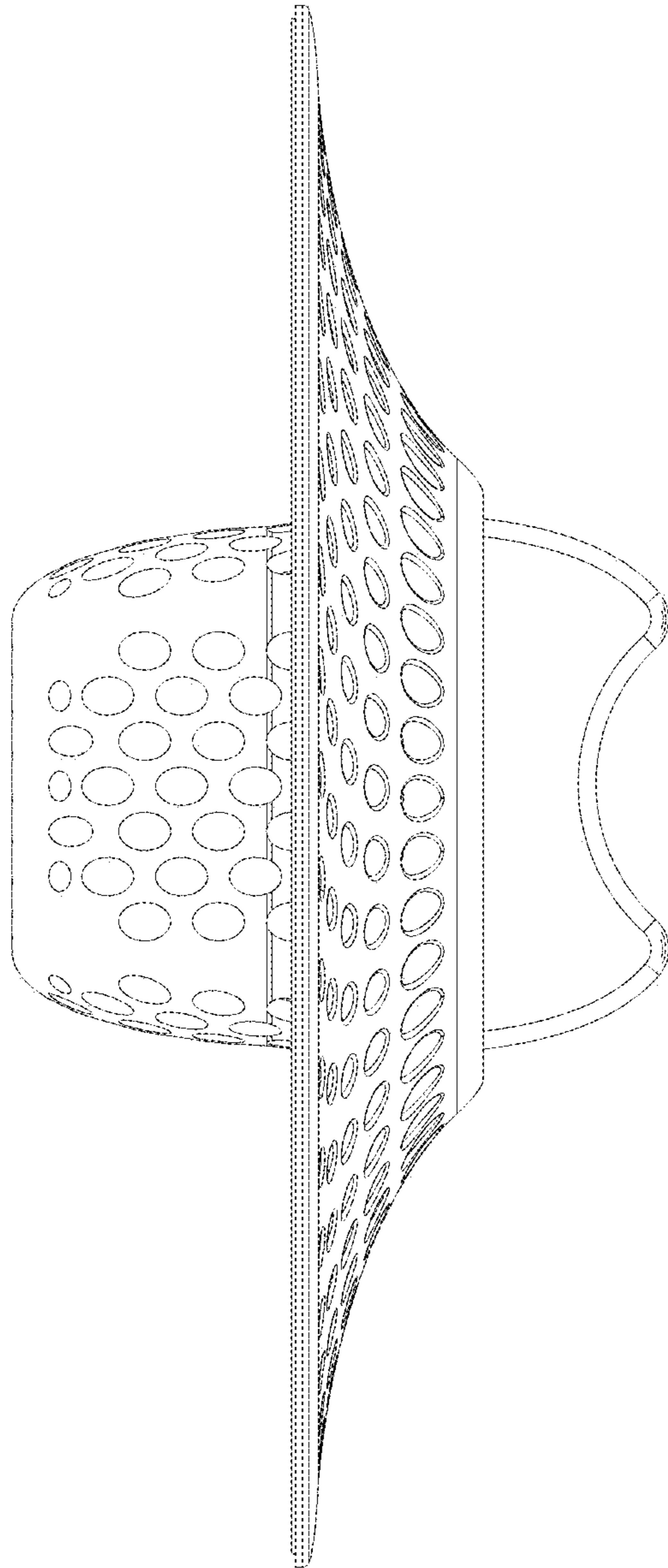


FIG.5

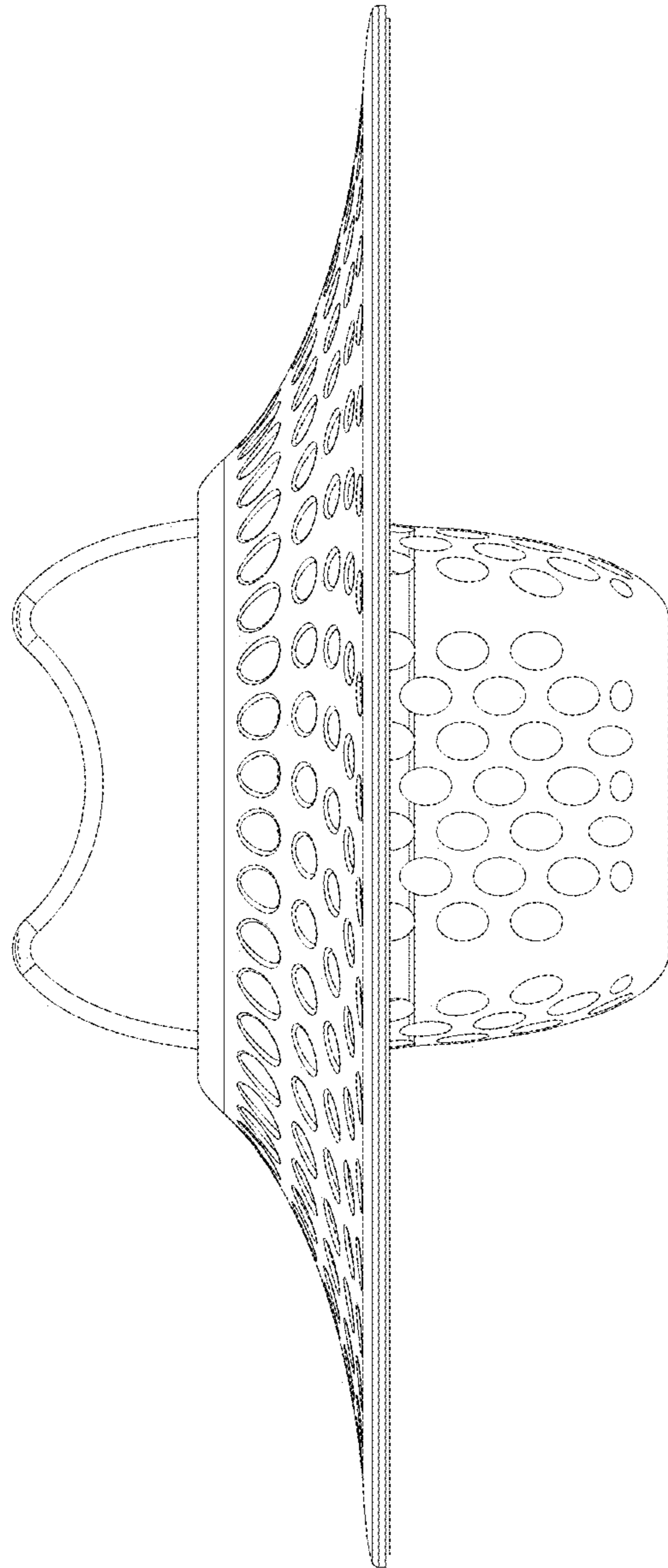


FIG.6

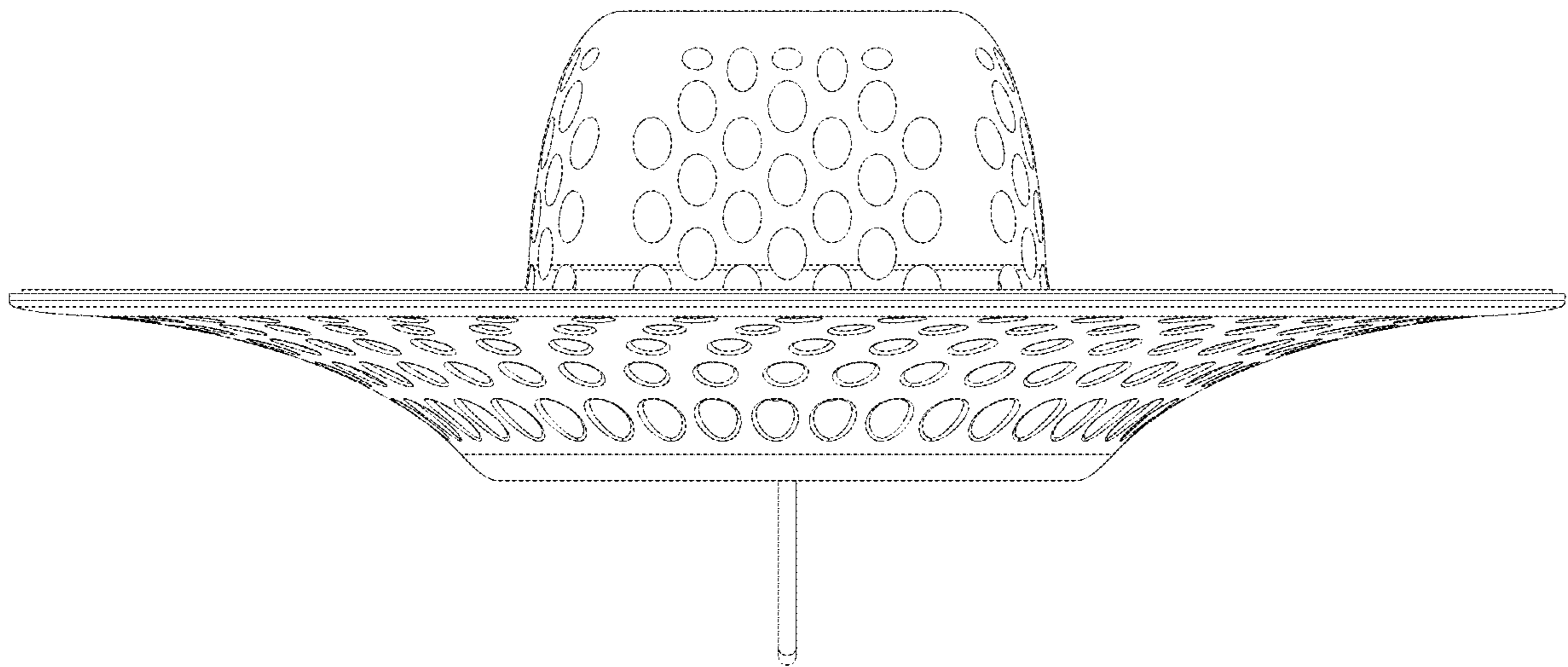


FIG.7

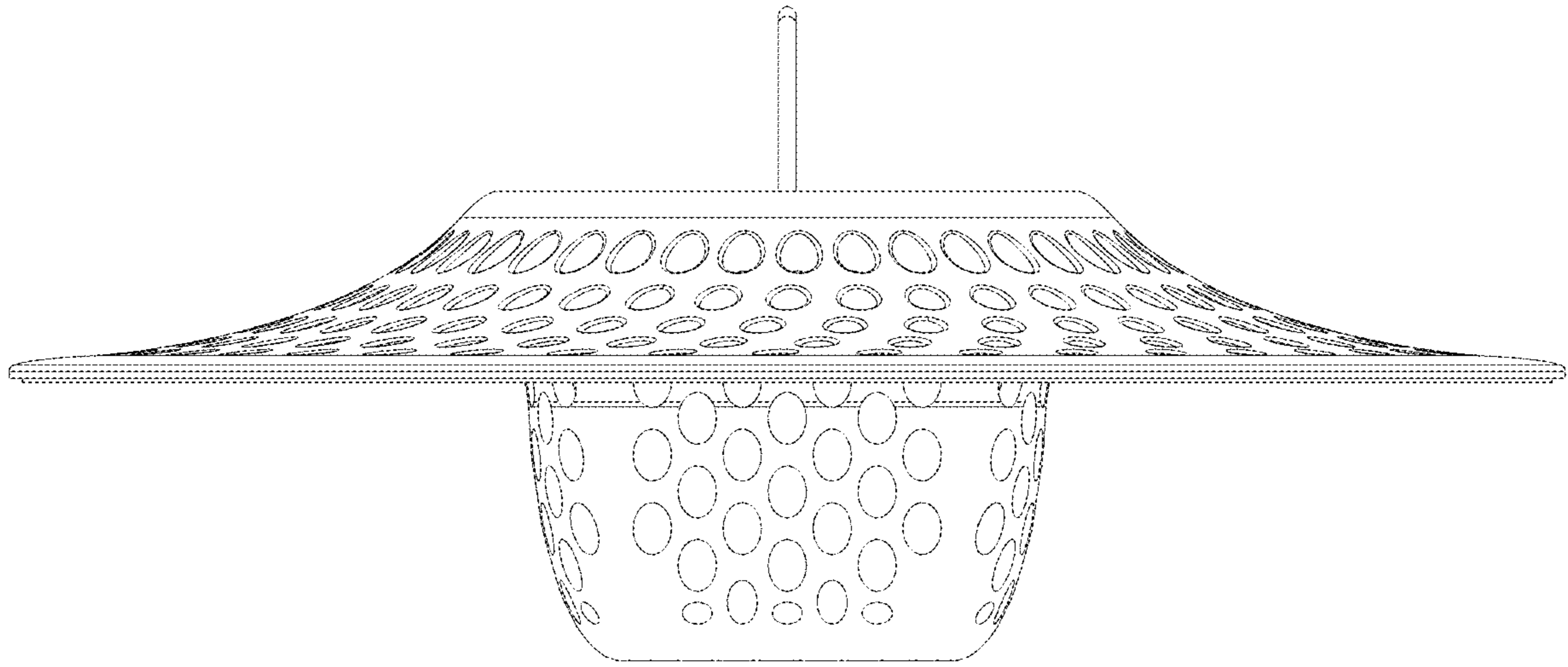


FIG.8