



US00D901645S

(12) **United States Design Patent** (10) **Patent No.:** **US D901,645 S**
Bayless et al. (45) **Date of Patent:** **** Nov. 10, 2020**

- (54) **DRAIN OUTLET**
- (71) Applicants: **Benjamin Bayless**, Chattanooga, TN (US); **James Andrew Burran**, Chattanooga, TN (US); **Michael Cox**, Chattanooga, TN (US)
- (72) Inventors: **Benjamin Bayless**, Chattanooga, TN (US); **James Andrew Burran**, Chattanooga, TN (US); **Michael Cox**, Chattanooga, TN (US)
- (73) Assignee: **AFS Newco, LLC**, Virginia Beach, VA (US)
- (**) Term: **15 Years**
- (21) Appl. No.: **29/705,099**
- (22) Filed: **Sep. 10, 2019**
- (51) **LOC (12) Cl.** **23-01**
- (52) **U.S. Cl.**
USPC **D23/259**; D23/267
- (58) **Field of Classification Search**
USPC D23/267, 259–262, 265–266, 269; 210/163–164; 52/169.5; 4/613, 679, 4/689, 684
CPC E02D 31/02; E03F 3/046
See application file for complete search history.

- 6,289,688 B1 * 9/2001 da Luz Moraes F24F 13/22 62/285
- 7,237,981 B1 * 7/2007 Vitarelli E03F 1/003 210/170.03
- D735,304 S * 7/2015 Currier D23/263
- D761,397 S * 7/2016 DeNooy D23/267
- D780,893 S * 3/2017 Denooy D23/262
- 2008/0138156 A1 * 6/2008 Janesky E03F 1/002 405/40
- 2016/0281339 A1 * 9/2016 Banks E03B 7/12
- 2020/0240100 A1 * 7/2020 Bayless E02D 31/02

* cited by examiner

Primary Examiner — Amy C Wierenga

(74) *Attorney, Agent, or Firm* — Jeremy A Smith; Lanier Ford Shaver & Payne, P.C.

(57) **CLAIM**

The ornamental design for a drain outlet, as shown.

DESCRIPTION

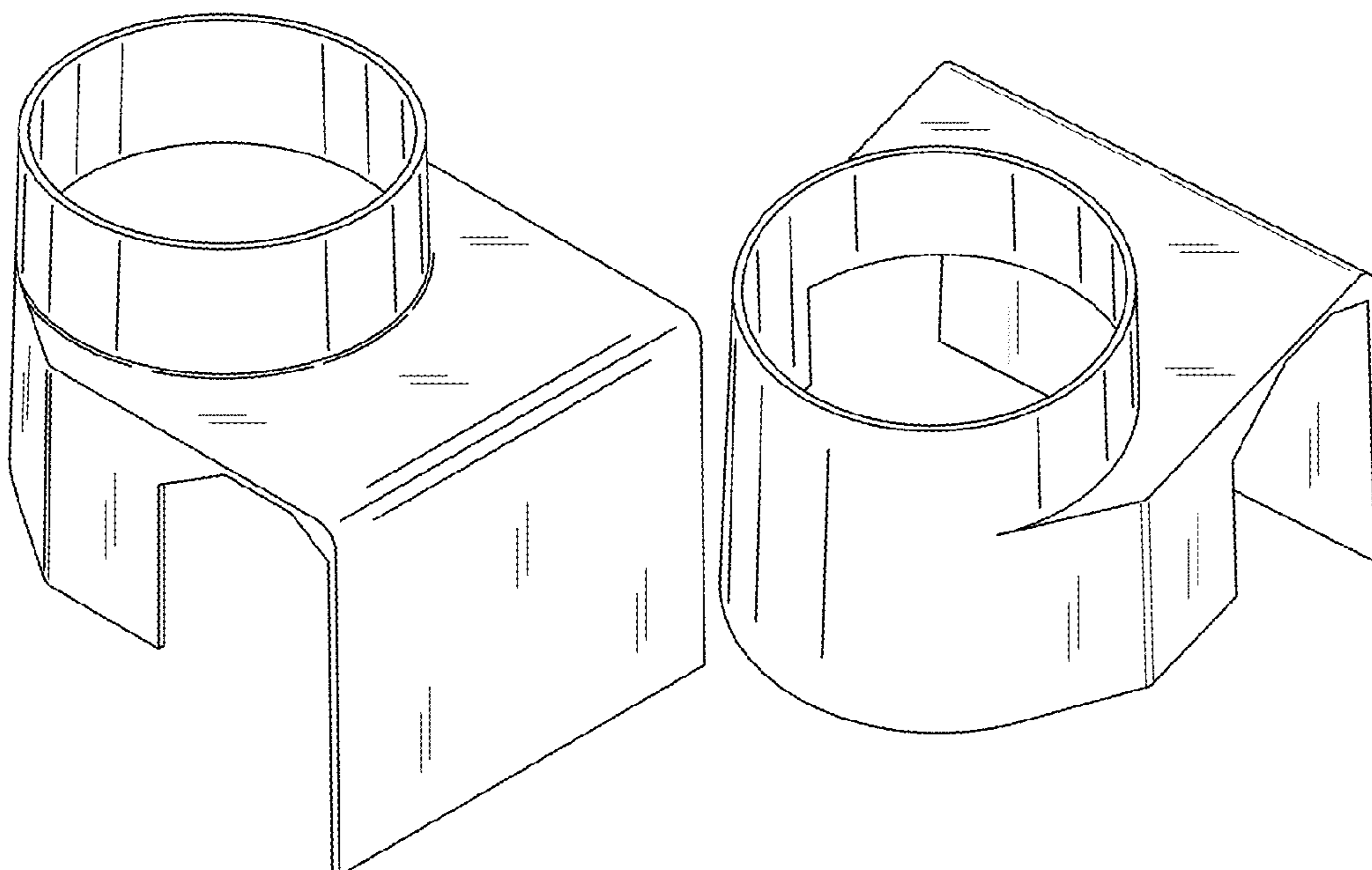
FIG. 1 shows a left perspective view of the drain outlet of the present application
 FIG. 2 shows a right perspective view of the drain pipe of the present application.
 FIG. 3 shows a front view of the drain outlet of the present application.
 FIG. 4 shows a back view of the drain outlet of the present application.
 FIG. 5 shows a side view of the drain outlet of the present application.
 FIG. 6 shows an alternate side view of the drain outlet of the present application.
 FIG. 7 shows a top view of the drain outlet of the present application; and,
 FIG. 8 shows a bottom view of the drain outlet of the present application.

1 Claim, 4 Drawing Sheets

(56) **References Cited**

U.S. PATENT DOCUMENTS

- D207,476 S * 4/1967 Kilbourn D23/259
- D287,872 S * 1/1987 Eriksson D23/259
- D292,934 S * 11/1987 Alberico D23/259
- D381,181 S * 7/1997 Dwinell D34/39
- D434,123 S * 11/2000 Missick D23/261



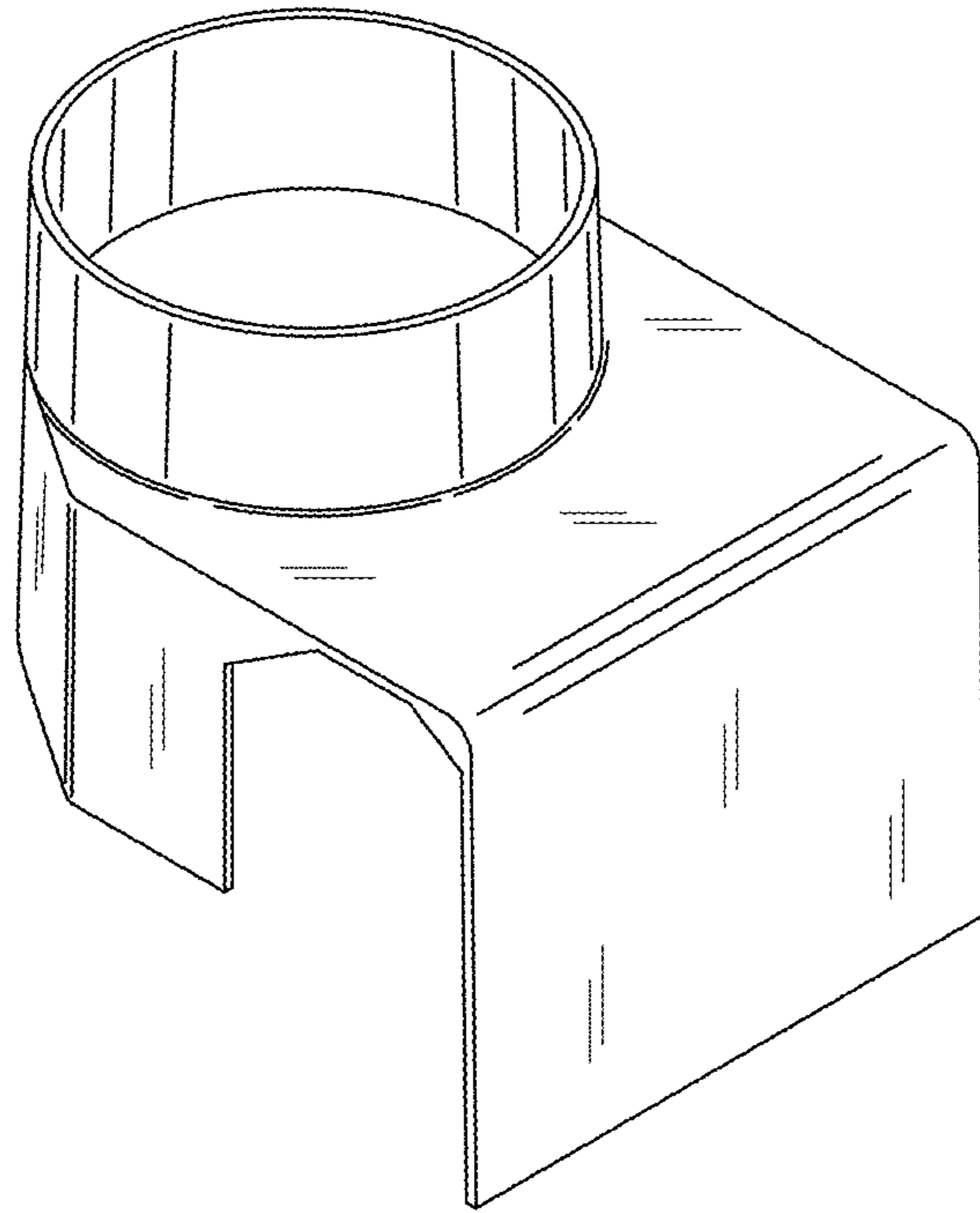


FIG. 1

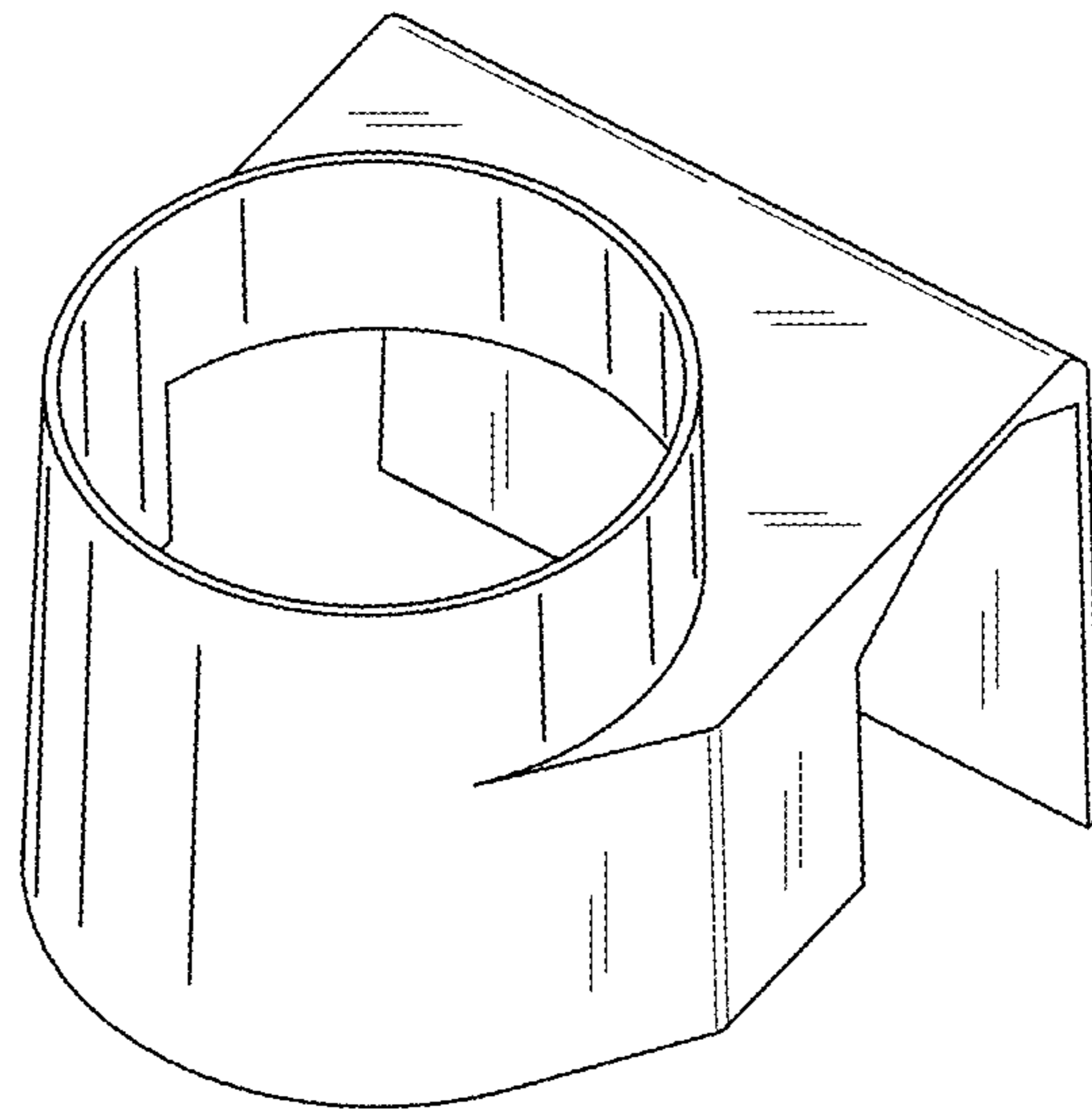


FIG. 2

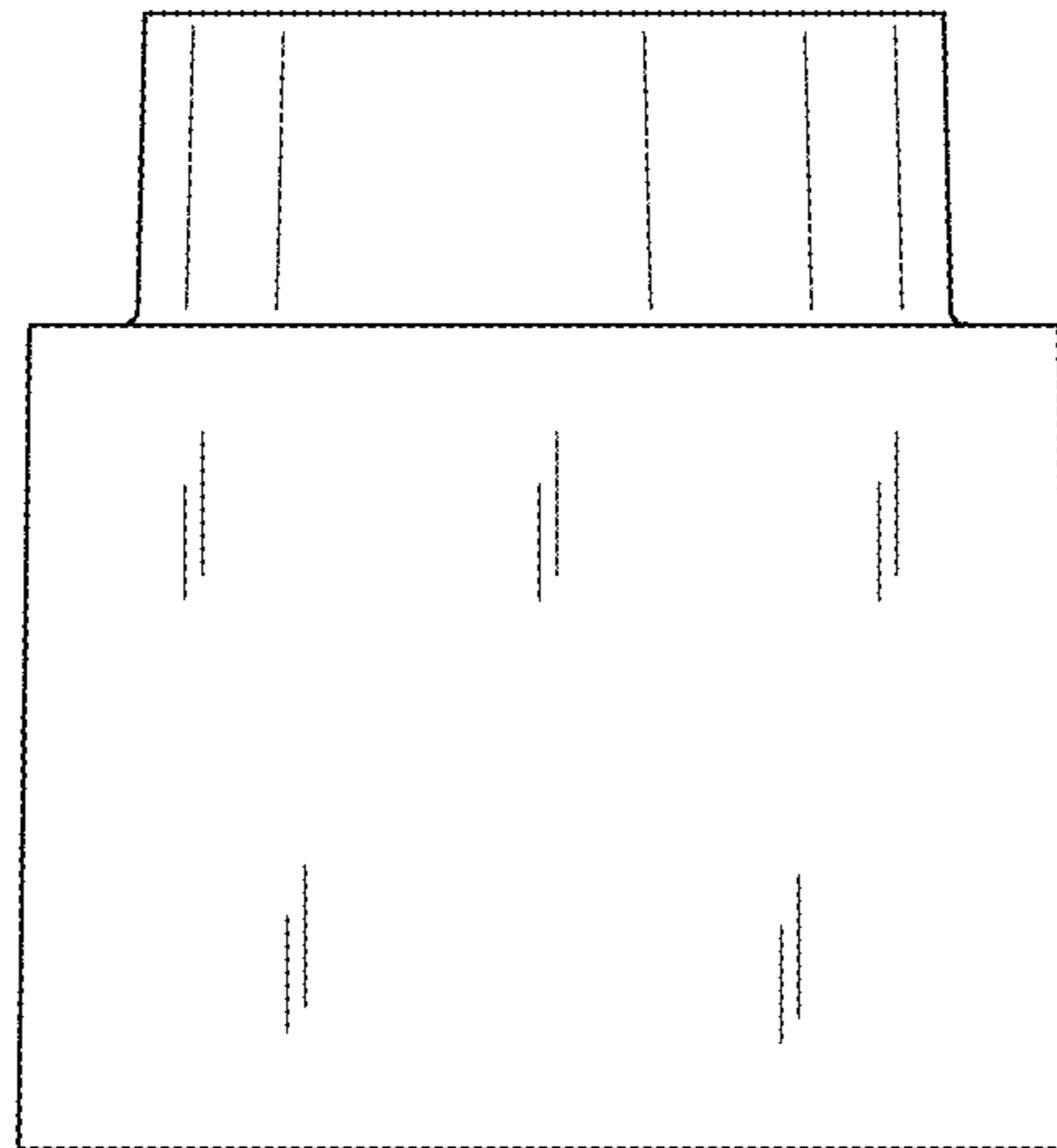


FIG. 3

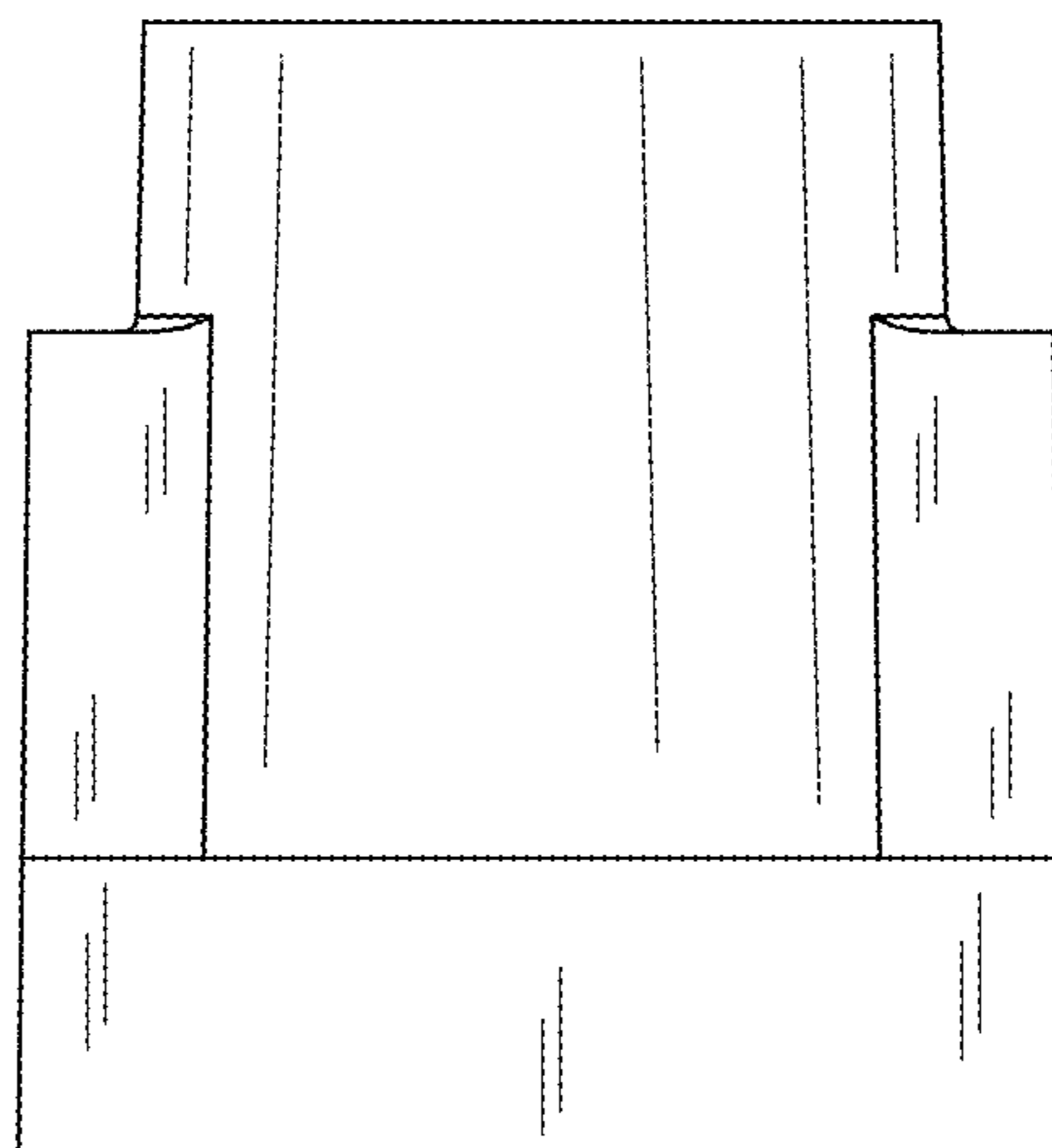


FIG. 4

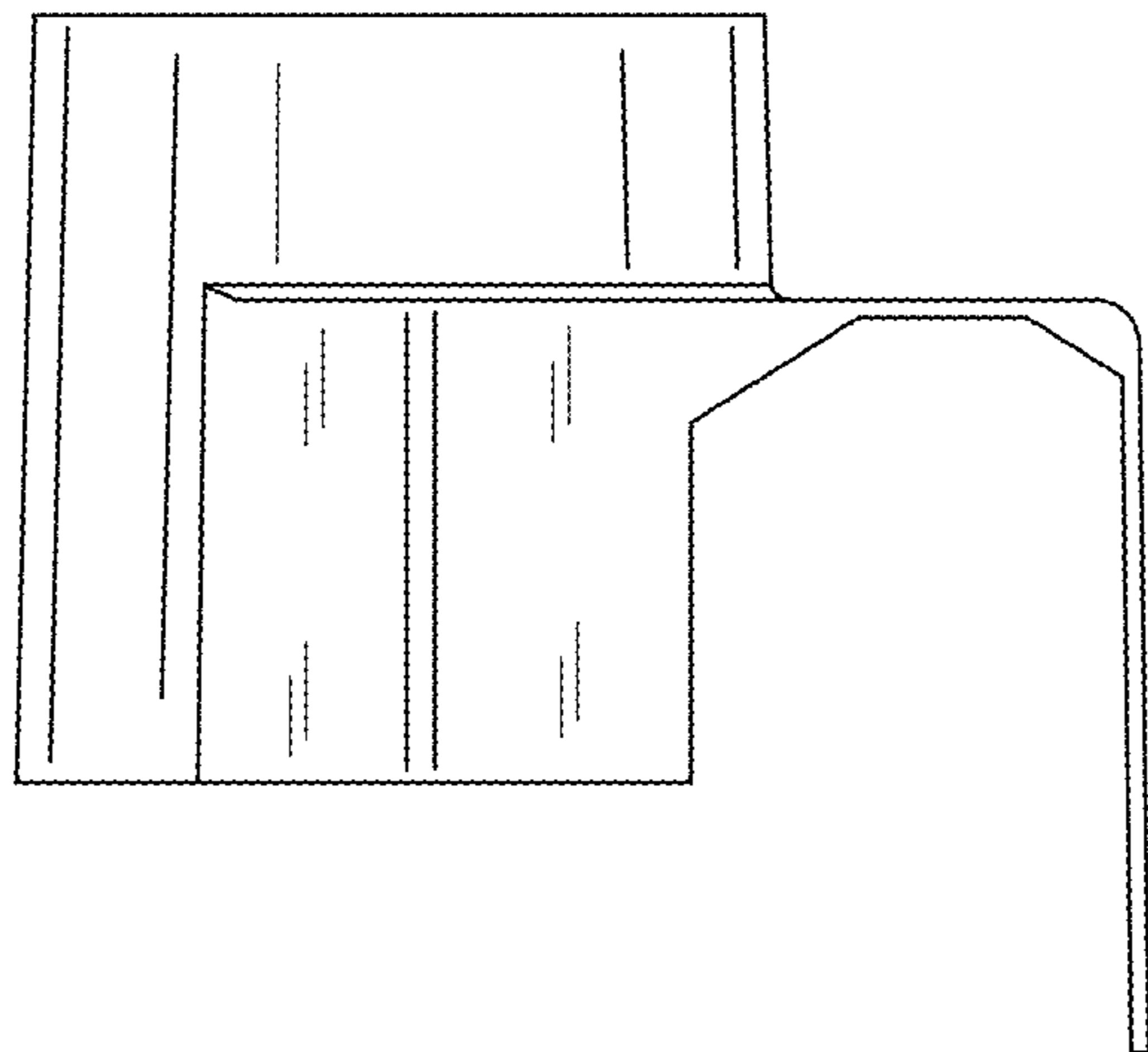


FIG. 5

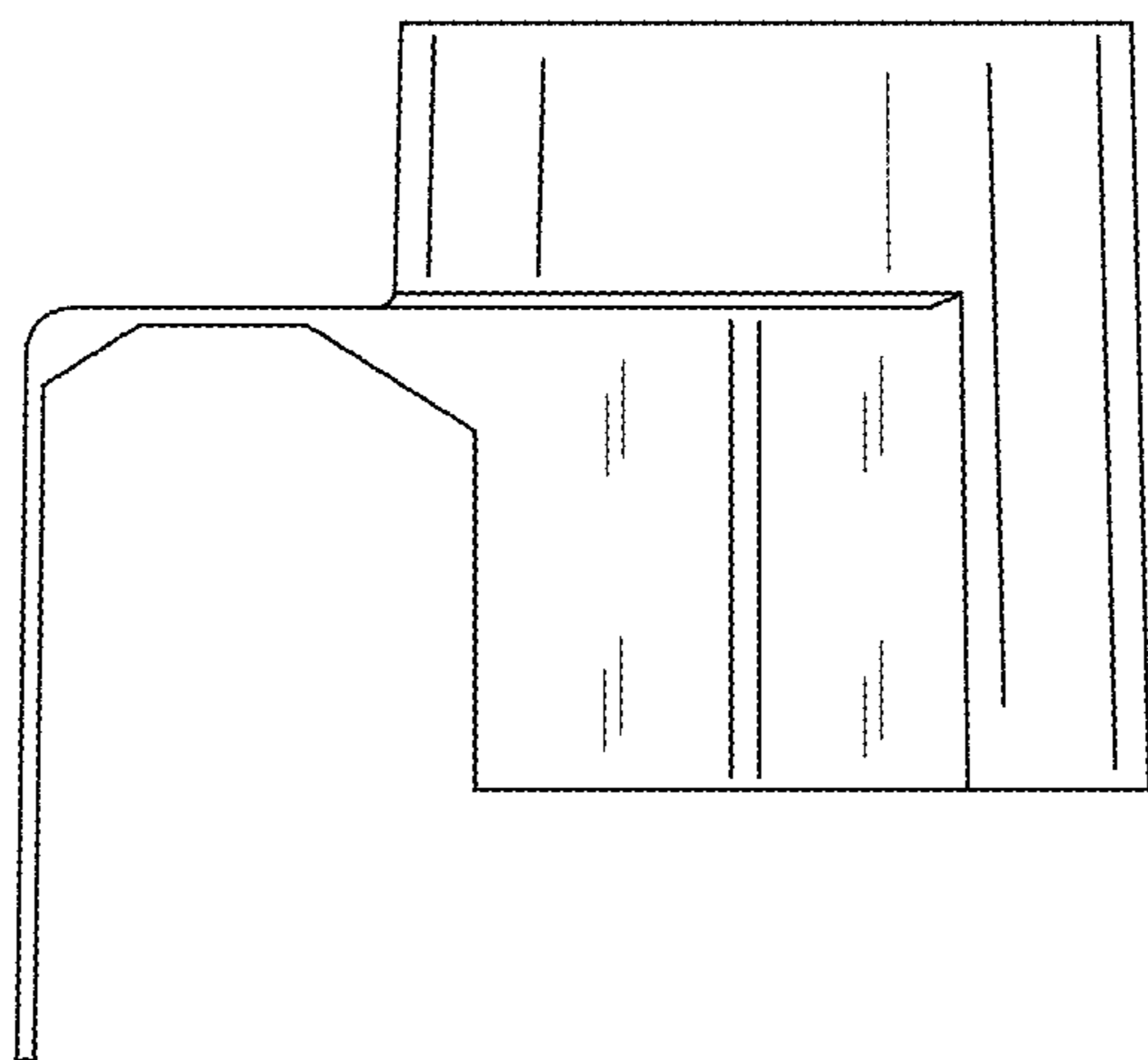


FIG. 6

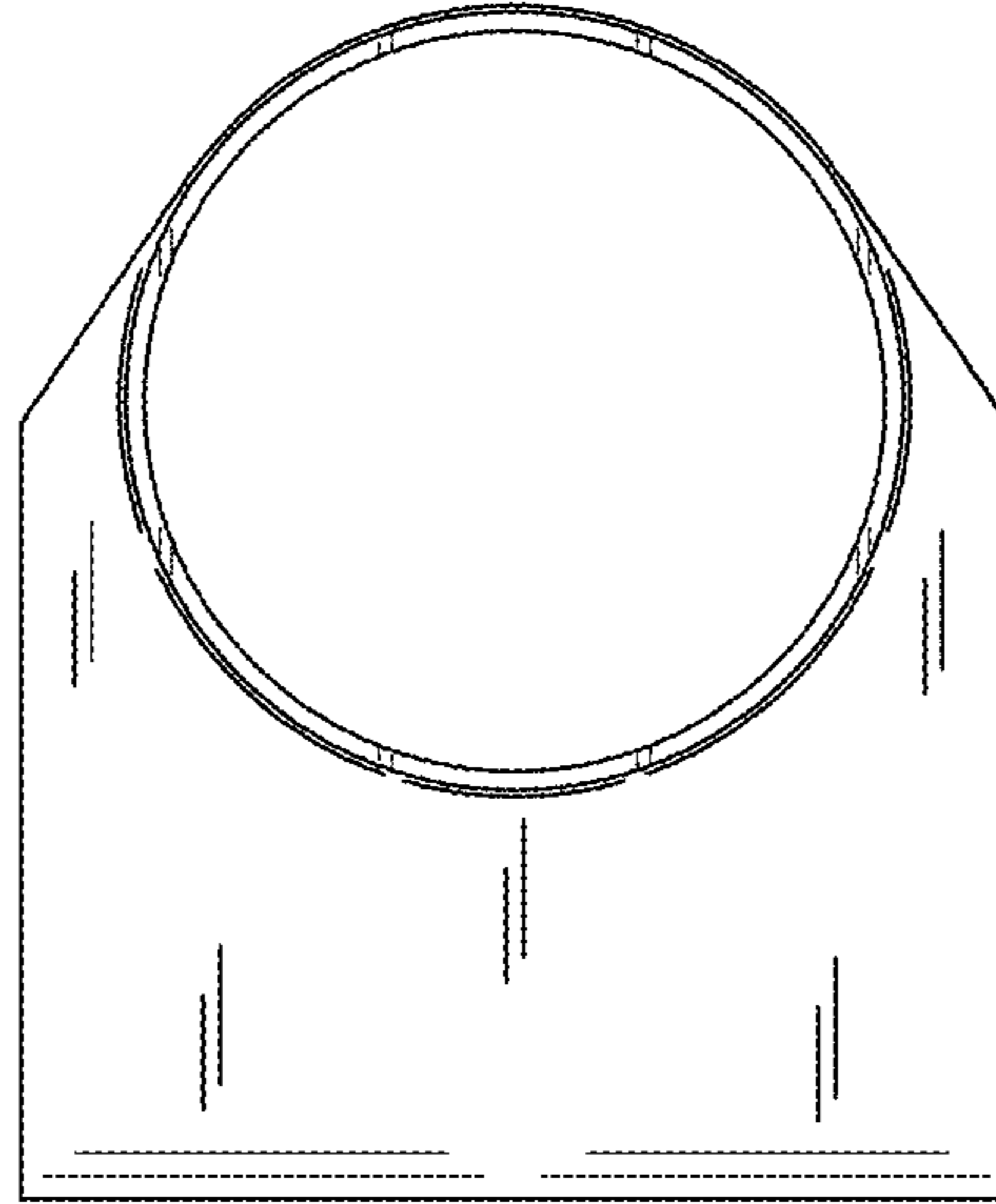


FIG. 7

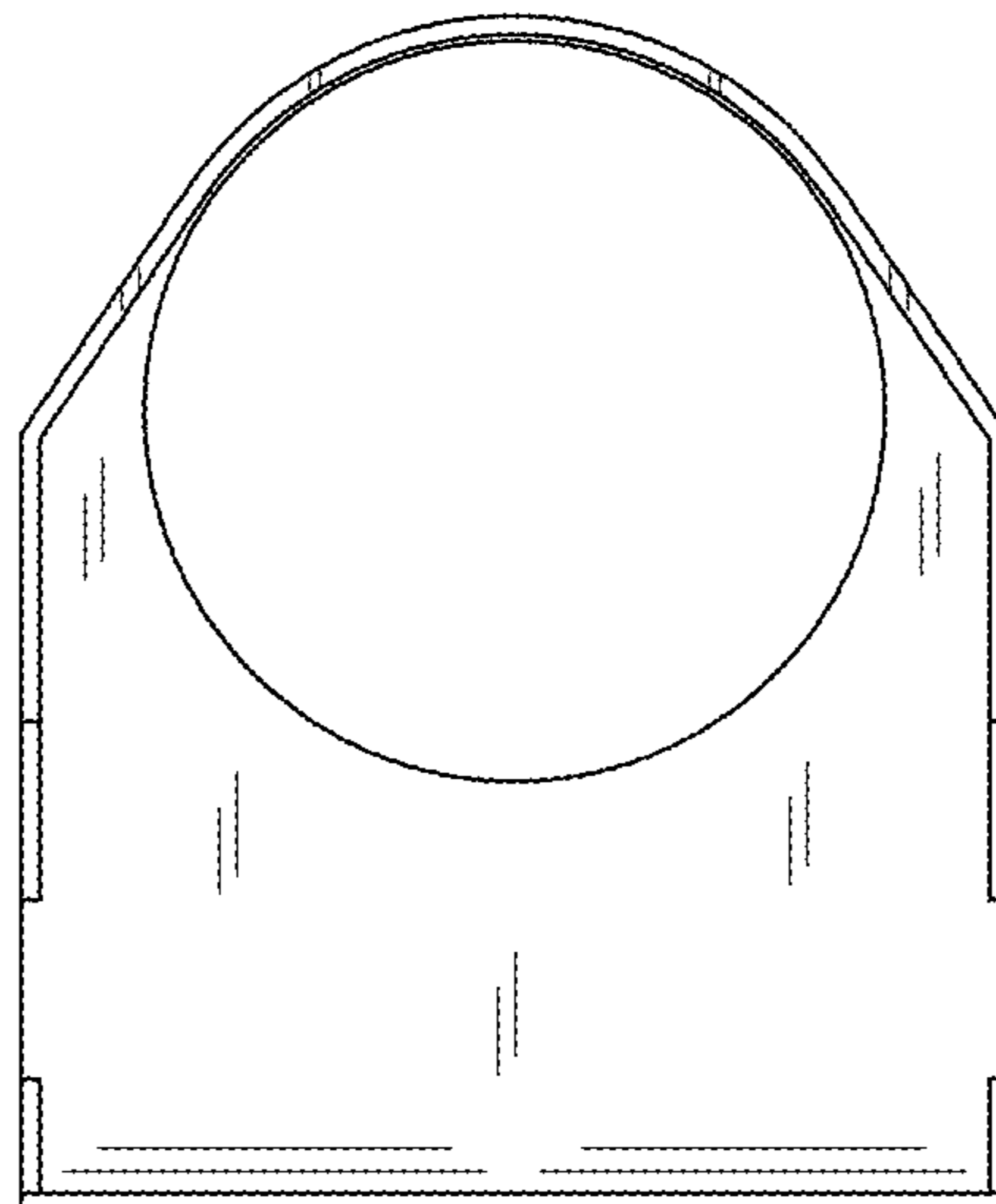


FIG. 8