



US00D901644S

(12) **United States Design Patent** (10) **Patent No.:** **US D901,644 S**  
**Freeman** (45) **Date of Patent:** **\*\* Nov. 10, 2020**

(54) **CORNER SUPPORT FOR A SKIMMER BOX LID FRAME**

(71) Applicant: **SKIMMER LIDS PTY LTD.**, Biggera Waters (AU)

(72) Inventor: **William Geoffrey Freeman**, Southport (AU)

(73) Assignee: **SKIMMER LIDS PTY LTD.**, Biggera Waters (AU)

(\*\*) Term: **15 Years**

(21) Appl. No.: **29/701,802**

(22) Filed: **Aug. 14, 2019**

(30) **Foreign Application Priority Data**

Feb. 15, 2019 (AU) ..... 01910793

(51) **LOC (12) Cl.** ..... **23-01**

(52) **U.S. Cl.**  
USPC ..... **D23/259**; D23/261

(58) **Field of Classification Search**  
USPC ..... D23/259, 260–261, 208–209, 233, 235, D23/203, 206, 322, 386–387, 393, 499, D23/262–263; 4/293, 496, 499, 501, 507, 4/510–512; 210/167.1, 167.15, 167.16, 210/167.18, 167.11, 167.12; 137/296, 137/312–313, 656; D32/15, 25  
CPC ..... E03C 1/308; E03C 2201/80; E03F 3/043  
See application file for complete search history.

(56) **References Cited**

**U.S. PATENT DOCUMENTS**

D231,430 S \* 4/1974 Steinhauser ..... D8/382  
D295,313 S \* 4/1988 Barnett ..... D12/183

D309,341 S \* 7/1990 Breadmont ..... D23/200  
D371,837 S \* 7/1996 Coble ..... D23/329  
D388,566 S \* 12/1997 Reid ..... D32/25  
D434,195 S \* 11/2000 Brosher ..... D32/25  
D441,855 S \* 5/2001 Fine ..... D23/322  
D560,763 S \* 1/2008 McKinnon ..... D23/261  
D640,783 S \* 6/2011 Dunn ..... D23/386  
D669,163 S \* 10/2012 Gass ..... D23/393  
D674,890 S \* 1/2013 Mims ..... D23/386  
D776,244 S \* 1/2017 Krombein ..... D23/259  
2012/0110728 A1 \* 5/2012 Nelson ..... E04H 4/1272  
4/496  
2017/0298683 A1 \* 10/2017 Hodak ..... E06B 7/231  
2017/0314283 A1 \* 11/2017 Liu ..... A47C 4/54

\* cited by examiner

*Primary Examiner* — Amy C Wierenga

(74) *Attorney, Agent, or Firm* — Cozen O'Connor

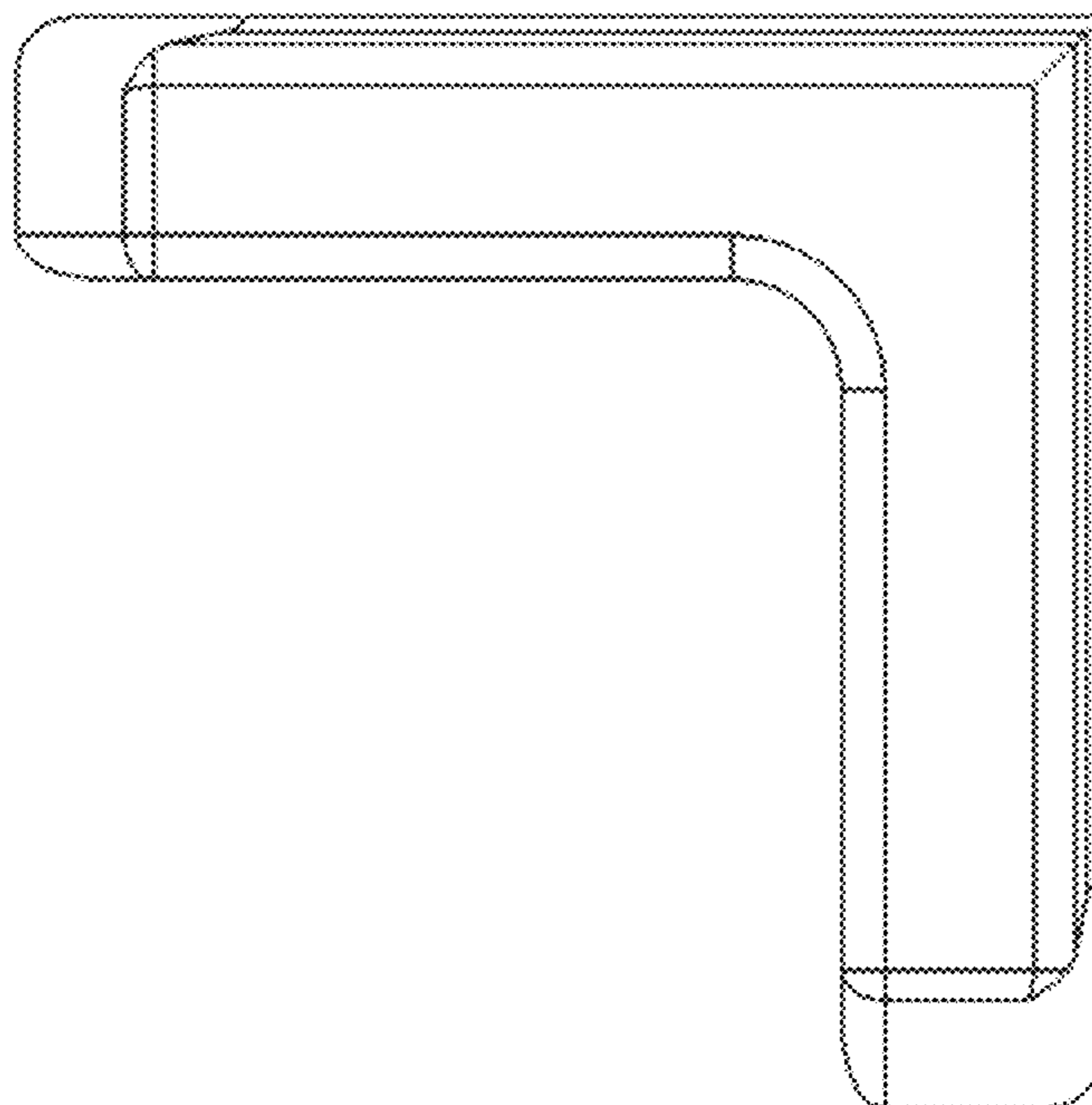
(57) **CLAIM**

The ornamental design for a corner support for a skimmer box lid frame, as shown and described.

**DESCRIPTION**

FIG. 1 is a top of corner support for a skimmer box lid frame; FIG. 2 is a bottom view thereof; FIG. 3 is a front view thereof; FIG. 4 is a back view thereof; FIG. 5 is a left side view thereof; FIG. 6 is a right side view thereof; FIG. 7 is a top perspective view thereof; and, FIG. 8 is a bottom perspective view thereof. The portions shown in dashed lines are for environmental purposes and constitute no part of the claimed design.

**1 Claim, 8 Drawing Sheets**



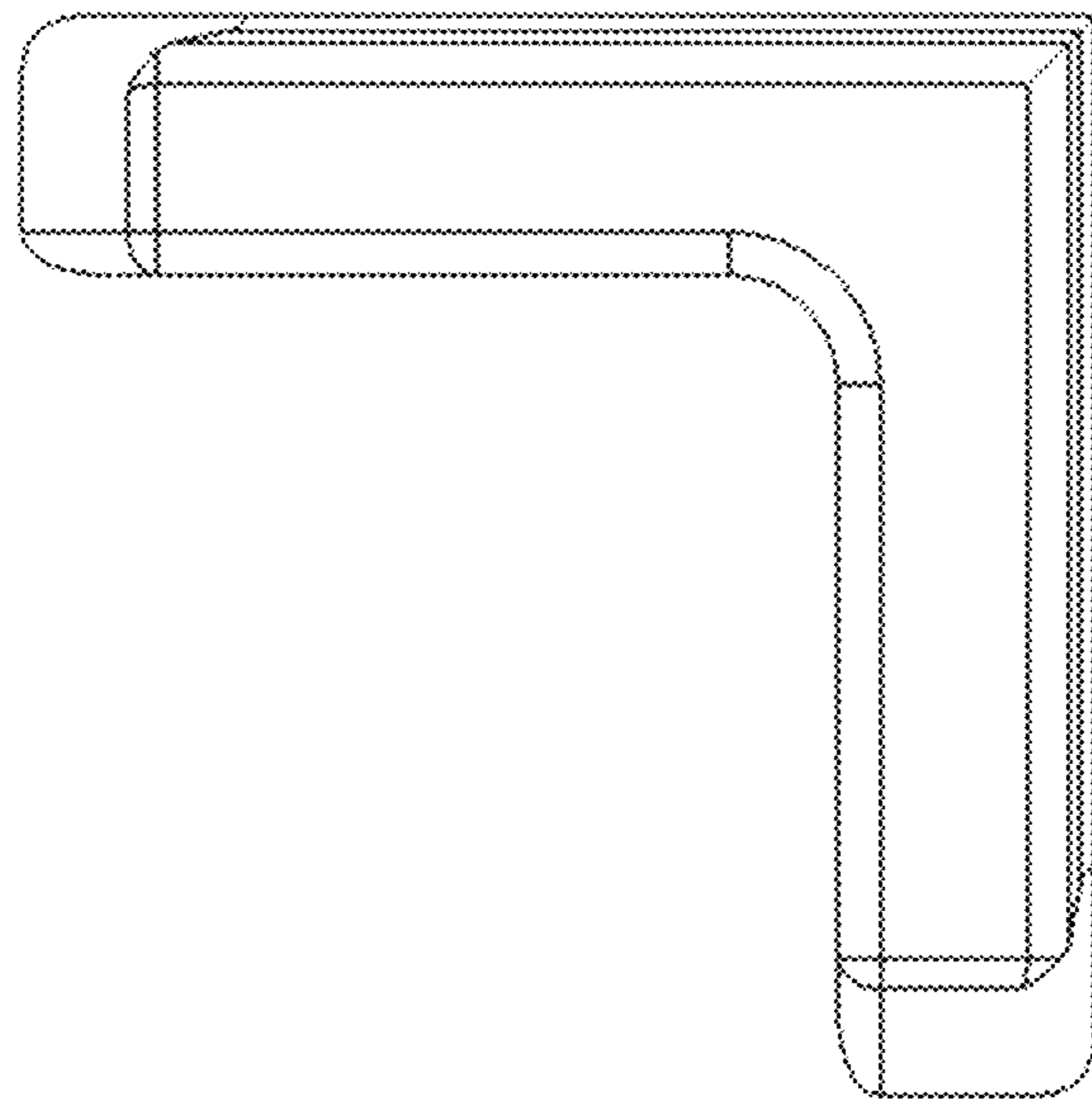


FIG. 1

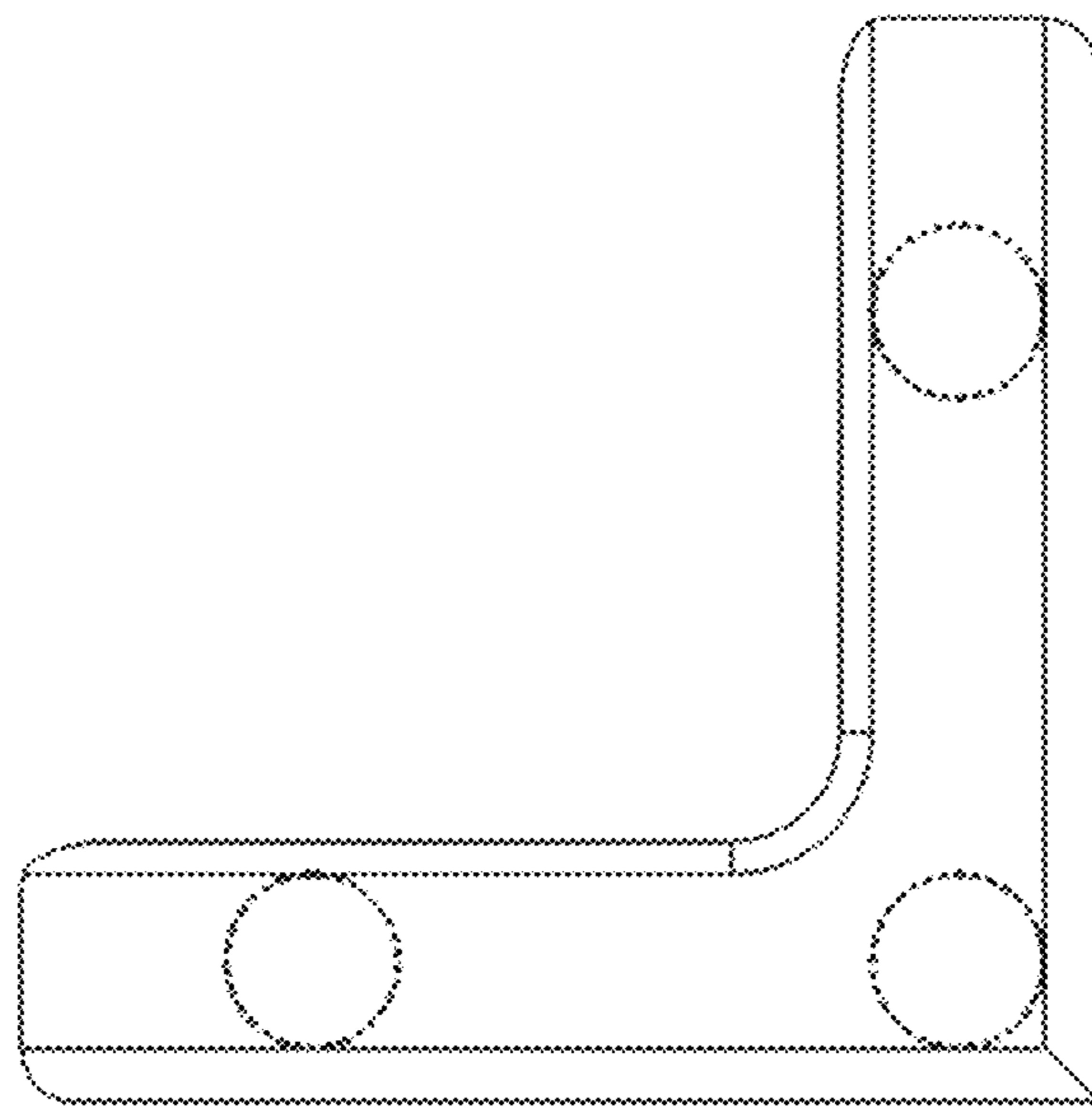


FIG. 2

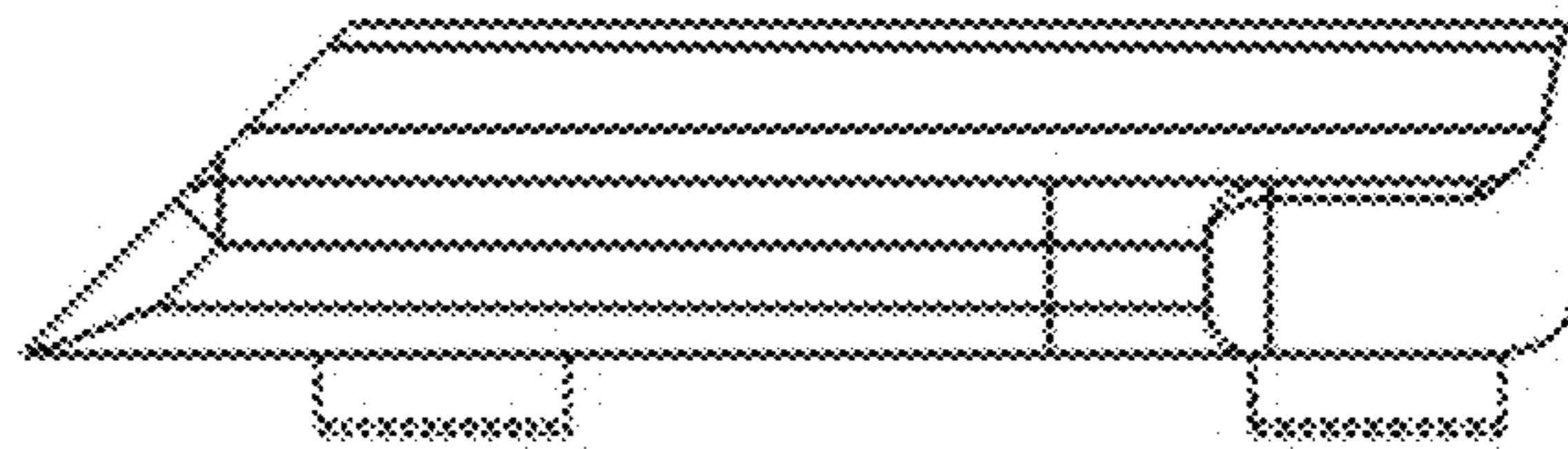


FIG. 3

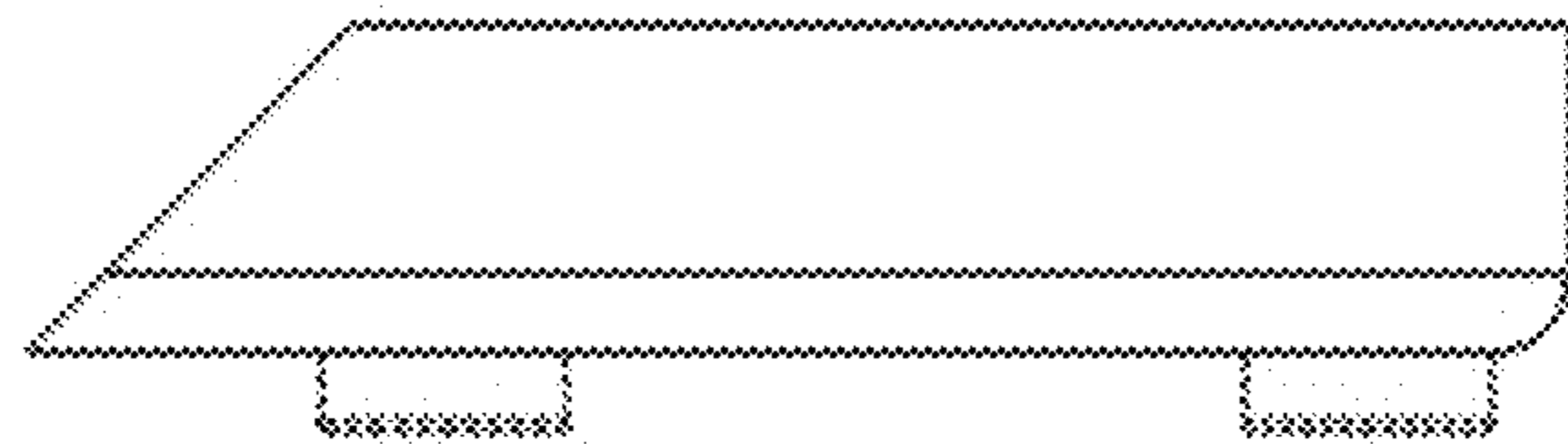


FIG. 4

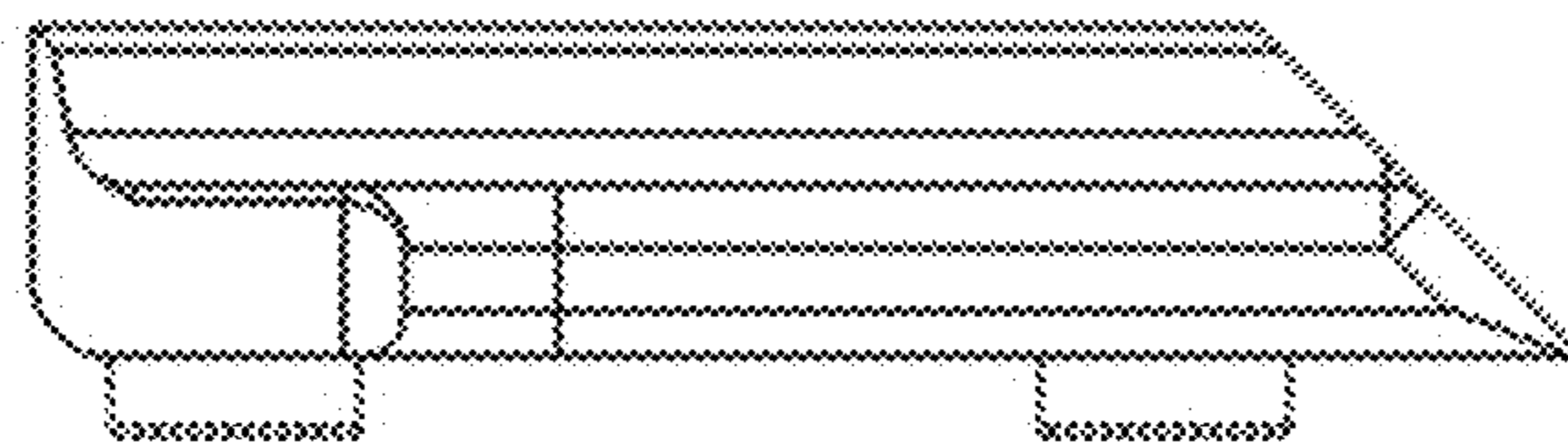


FIG. 5

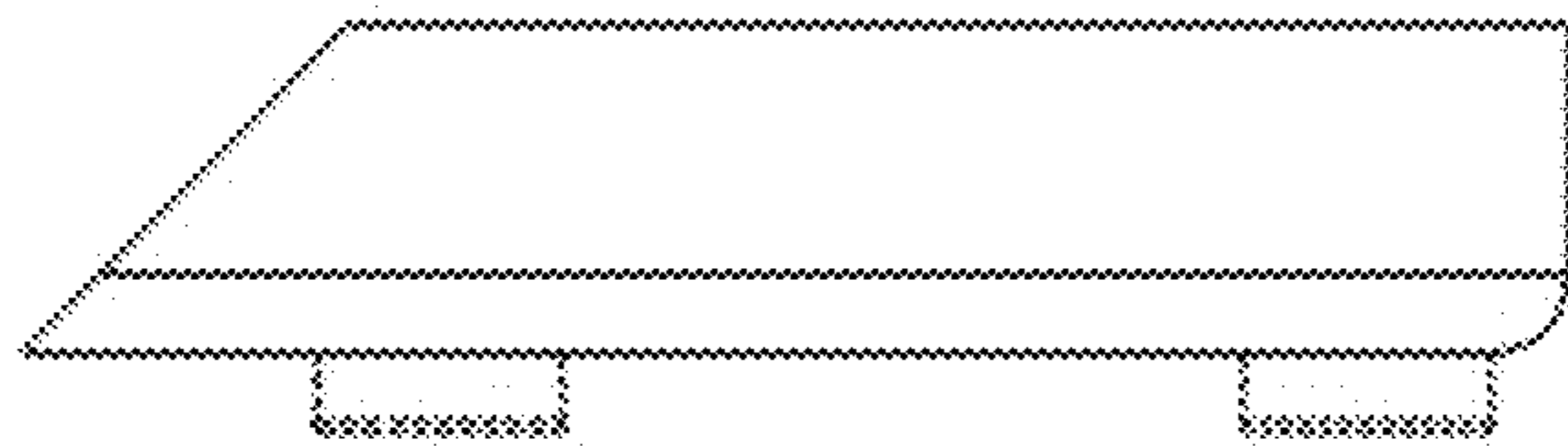


FIG. 6

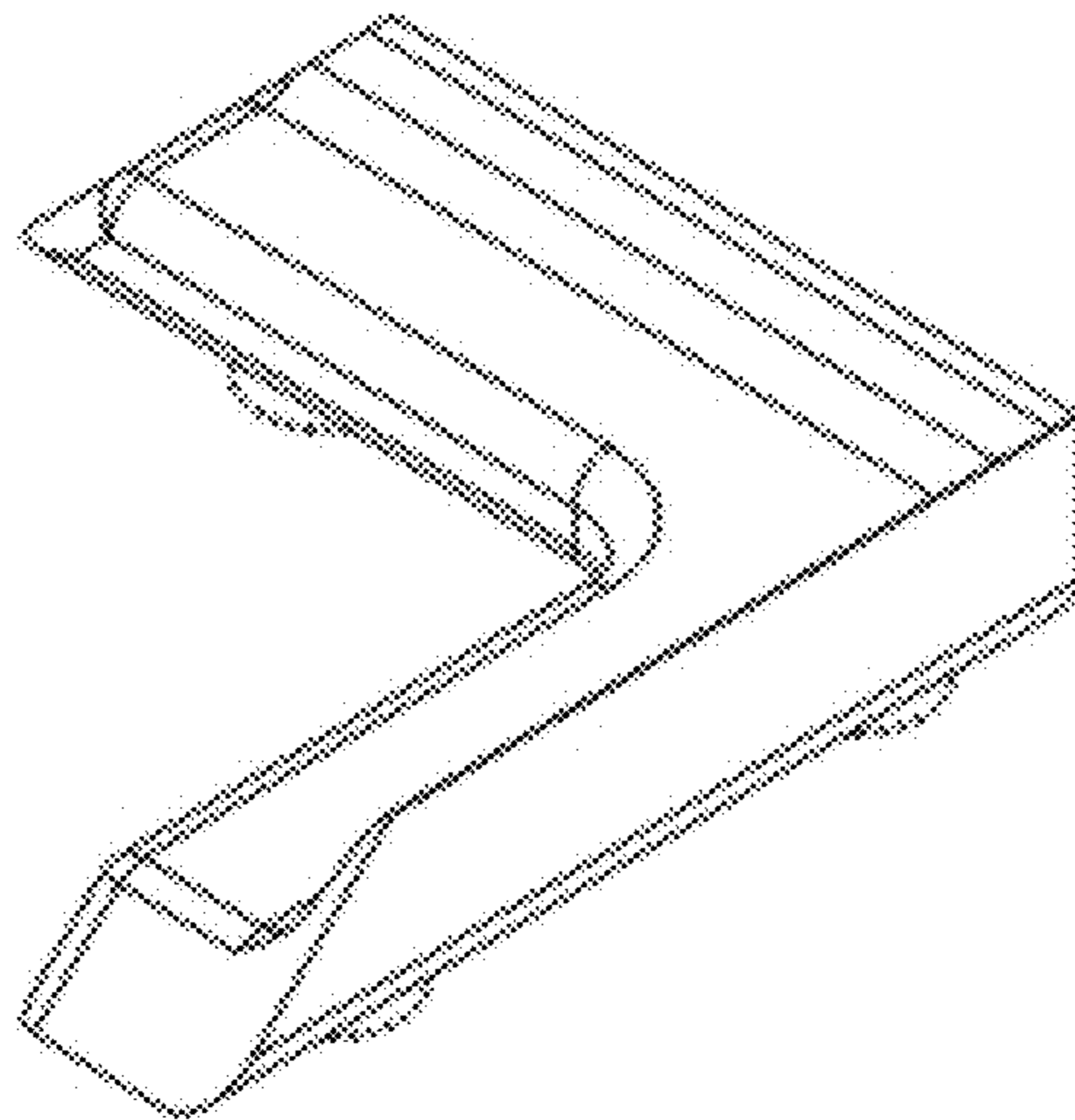


FIG. 7



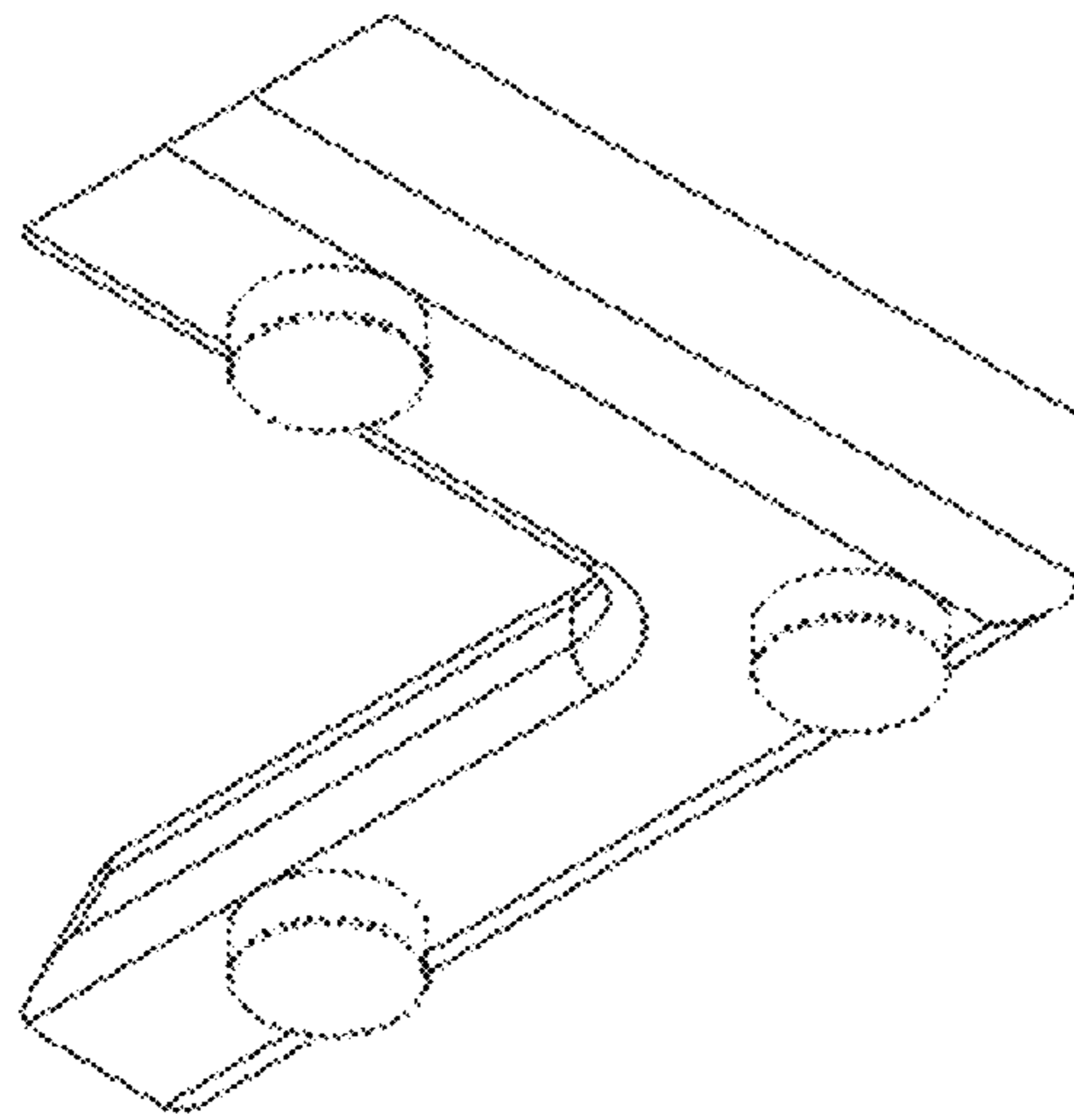


FIG. 8