



US00D901642S

(12) **United States Design Patent** (10) **Patent No.:** **US D901,642 S**  
**Seum et al.** (45) **Date of Patent:** **\*\* Nov. 10, 2020**

(54) **DIVERTER HANDLE**

(71) Applicant: **Grohe AG**, Hemer (DE)

(72) Inventors: **Michael Seum**, Duesseldorf (DE);  
**Jacob Nitz**, Brooklyn, NY (US)

(73) Assignee: **Grohe AG**, Hemer (DE)

(\*\*) Term: **15 Years**

(21) Appl. No.: **29/693,765**

(22) Filed: **Jun. 5, 2019**

(30) **Foreign Application Priority Data**

Dec. 5, 2018 (EM) ..... 005844156-0010

(51) **LOC (12) Cl.** ..... **23-01**

(52) **U.S. Cl.**  
USPC ..... **D23/254**

(58) **Field of Classification Search**  
USPC ..... D23/250, 252, 254, 238–243, 249;  
D8/307–308, 352, 353  
CPC ..... E03C 1/0408; E03C 1/09; E03C 1/042;  
E03C 1/0412  
See application file for complete search history.

(56) **References Cited**

**U.S. PATENT DOCUMENTS**

D628,277 S \* 11/2010 Montgomery ..... D23/252  
D740,919 S \* 10/2015 Flowers ..... D23/252

D757,225 S \* 5/2016 Schoenherr ..... D23/252  
D782,618 S \* 3/2017 Hong ..... D23/252  
D818,087 S \* 5/2018 Seum ..... D23/254  
D828,909 S \* 9/2018 Liu ..... D23/254

\* cited by examiner

*Primary Examiner* — Robert A Delehanty

(74) *Attorney, Agent, or Firm* — Muncy, Geissler, Olds & Lowe, P.C.

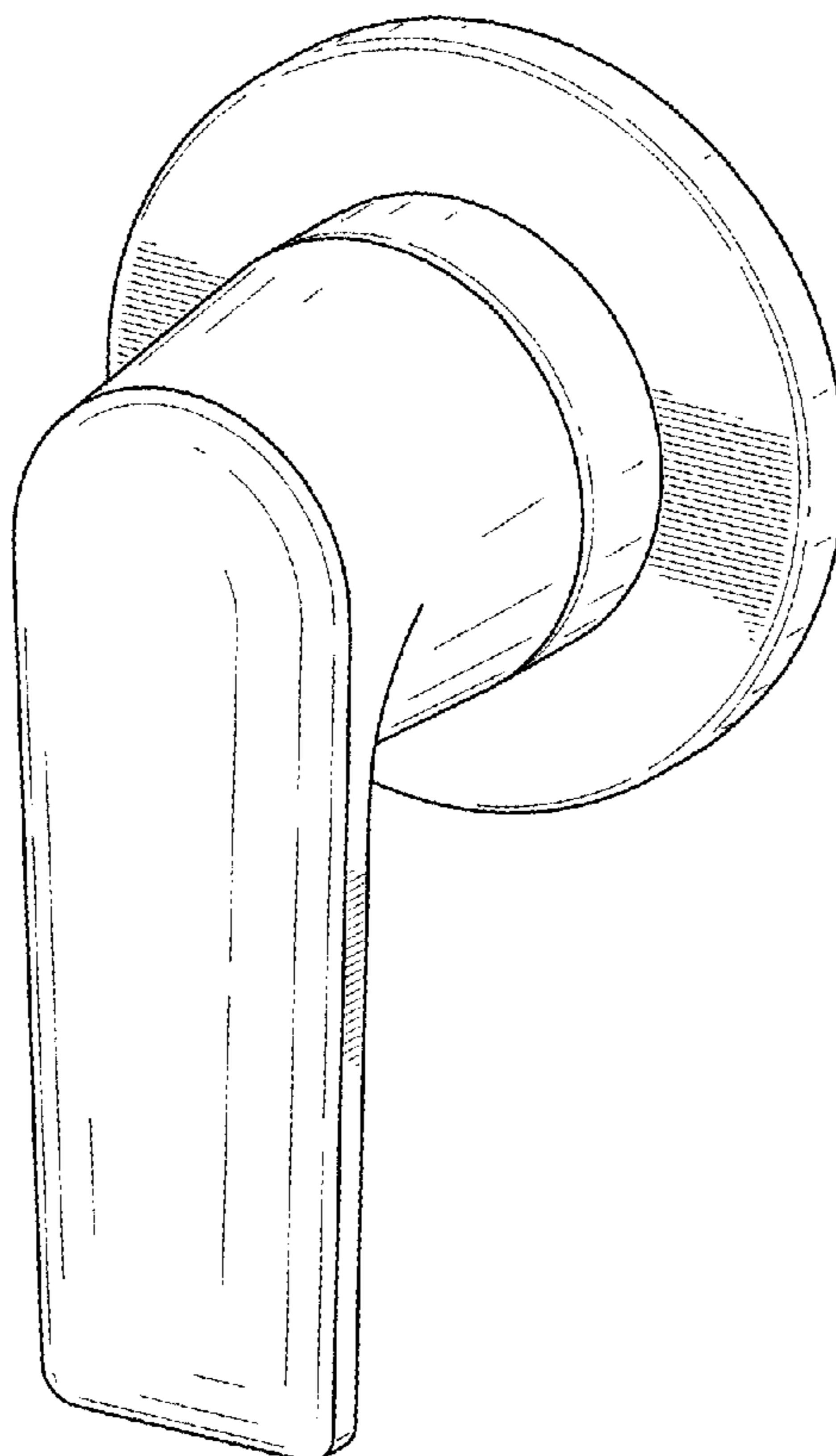
(57) **CLAIM**

The ornamental design for a diverter handle, as shown and described.

**DESCRIPTION**

FIG. 1 is a front perspective view of a diverter handle according to the present invention.  
FIG. 2 is a front view of the diverter handle of FIG. 1.  
FIG. 3 is a rear view of the diverter handle of FIG. 1.  
FIG. 4 is a left side view of the diverter handle of FIG. 1.  
FIG. 5 is a right side view of the diverter handle of FIG. 1.  
FIG. 6 is a top view of the diverter handle of FIG. 1; and, FIG. 7 is a bottom view of the diverter handle of FIG. 1.  
The broken lines shown on the rear of the diverter handle define the bounds of the claimed design and the portion inside the broken lines form no part thereof.

**1 Claim, 7 Drawing Sheets**



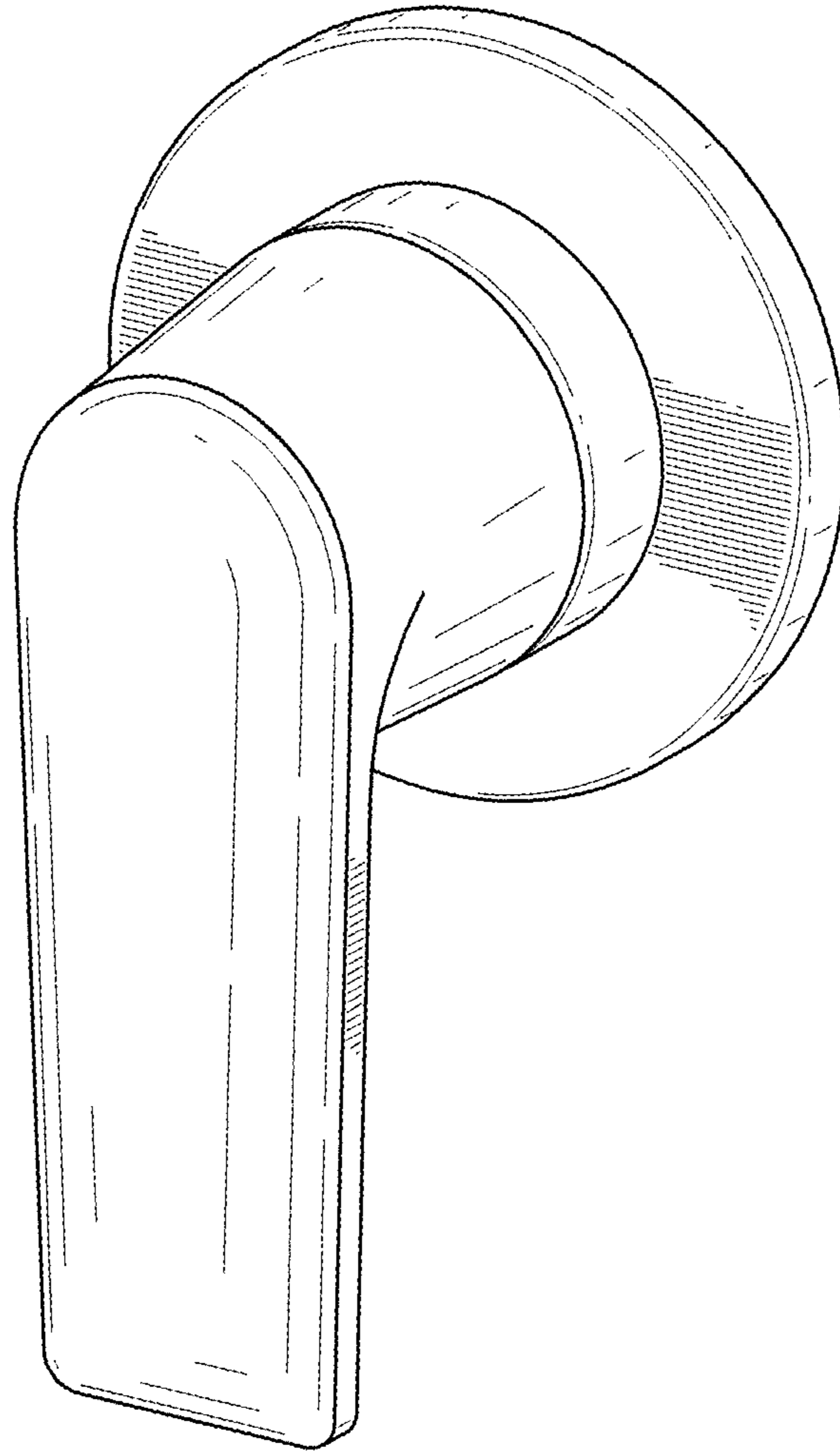


FIG.1

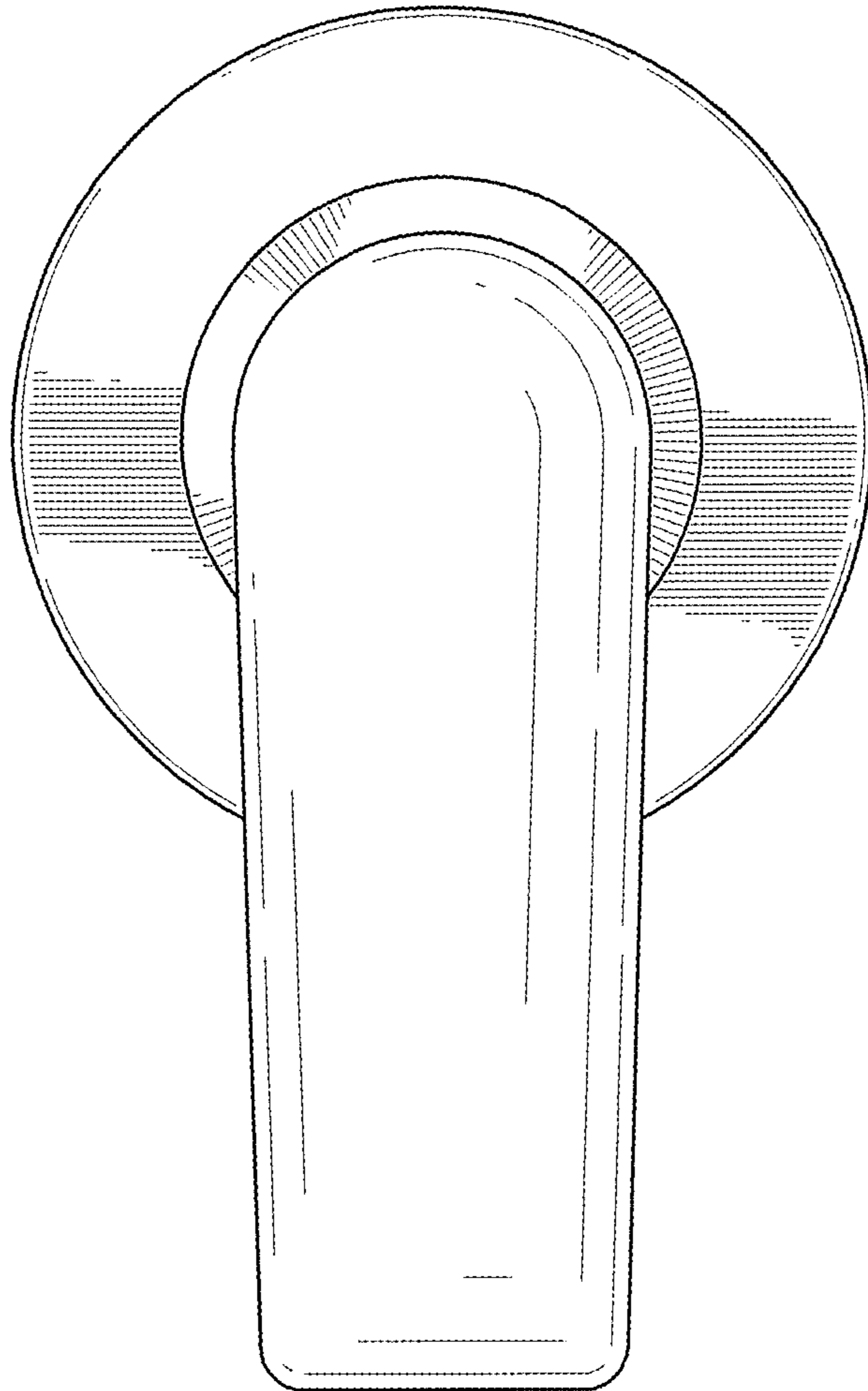


FIG.2

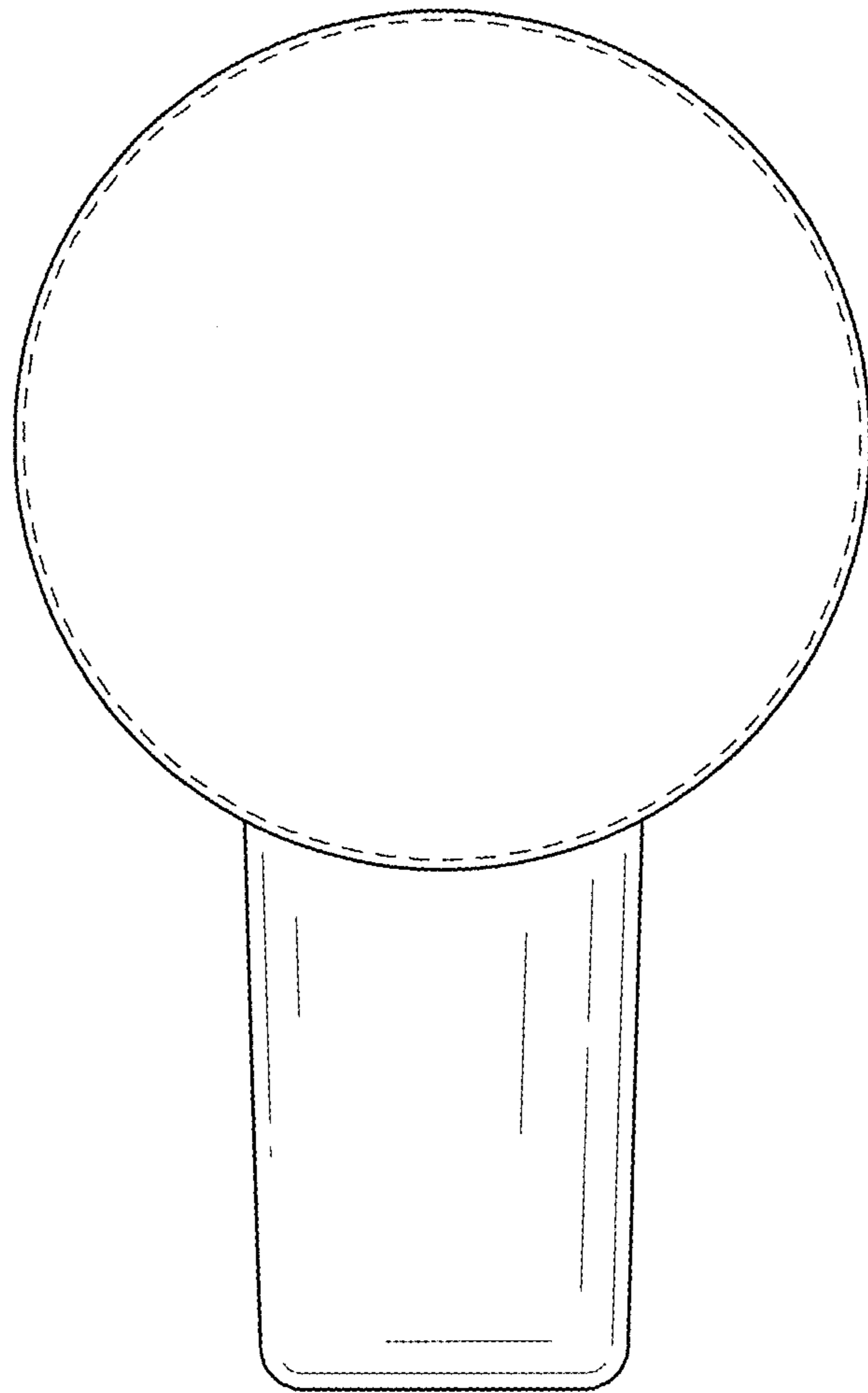


FIG.3

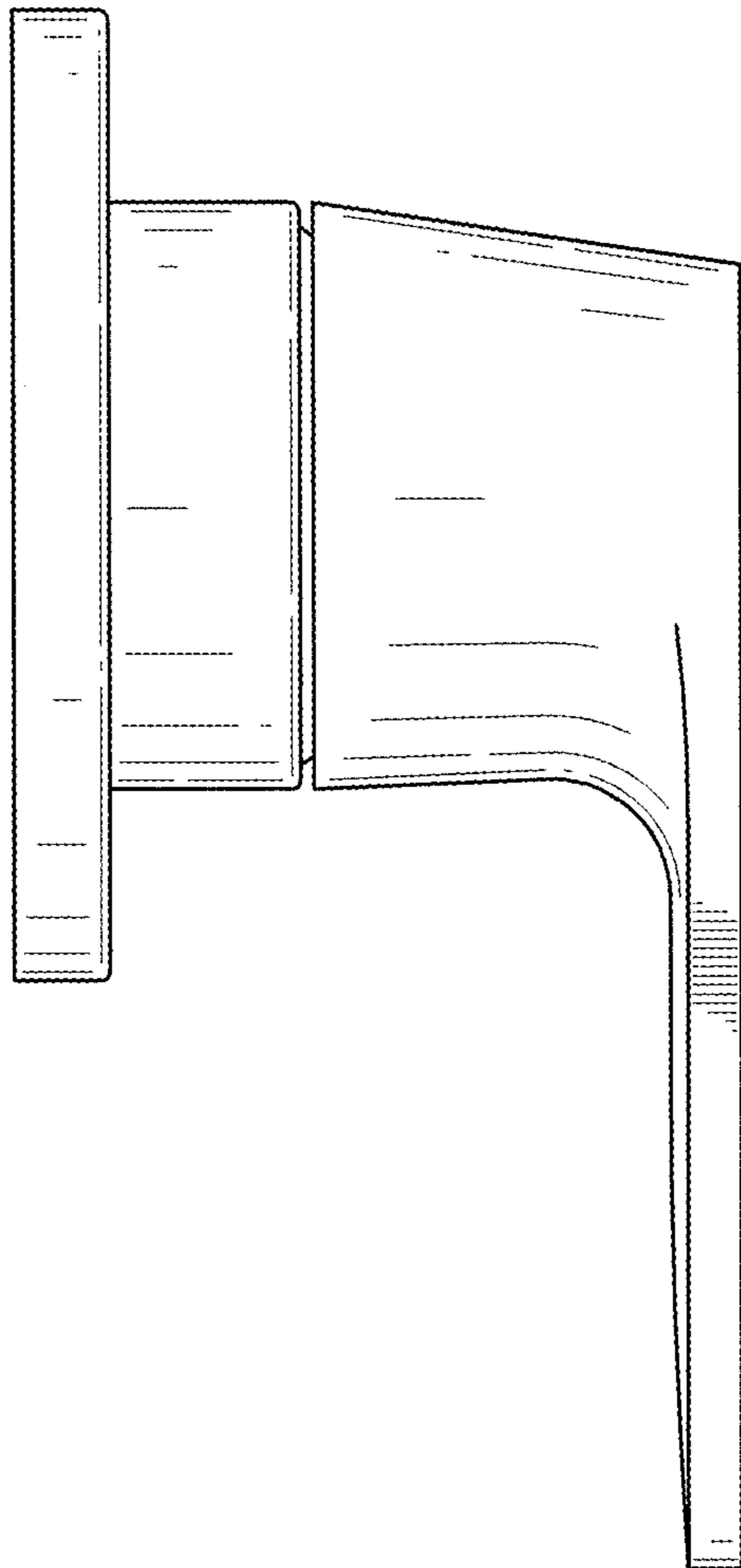


FIG.4

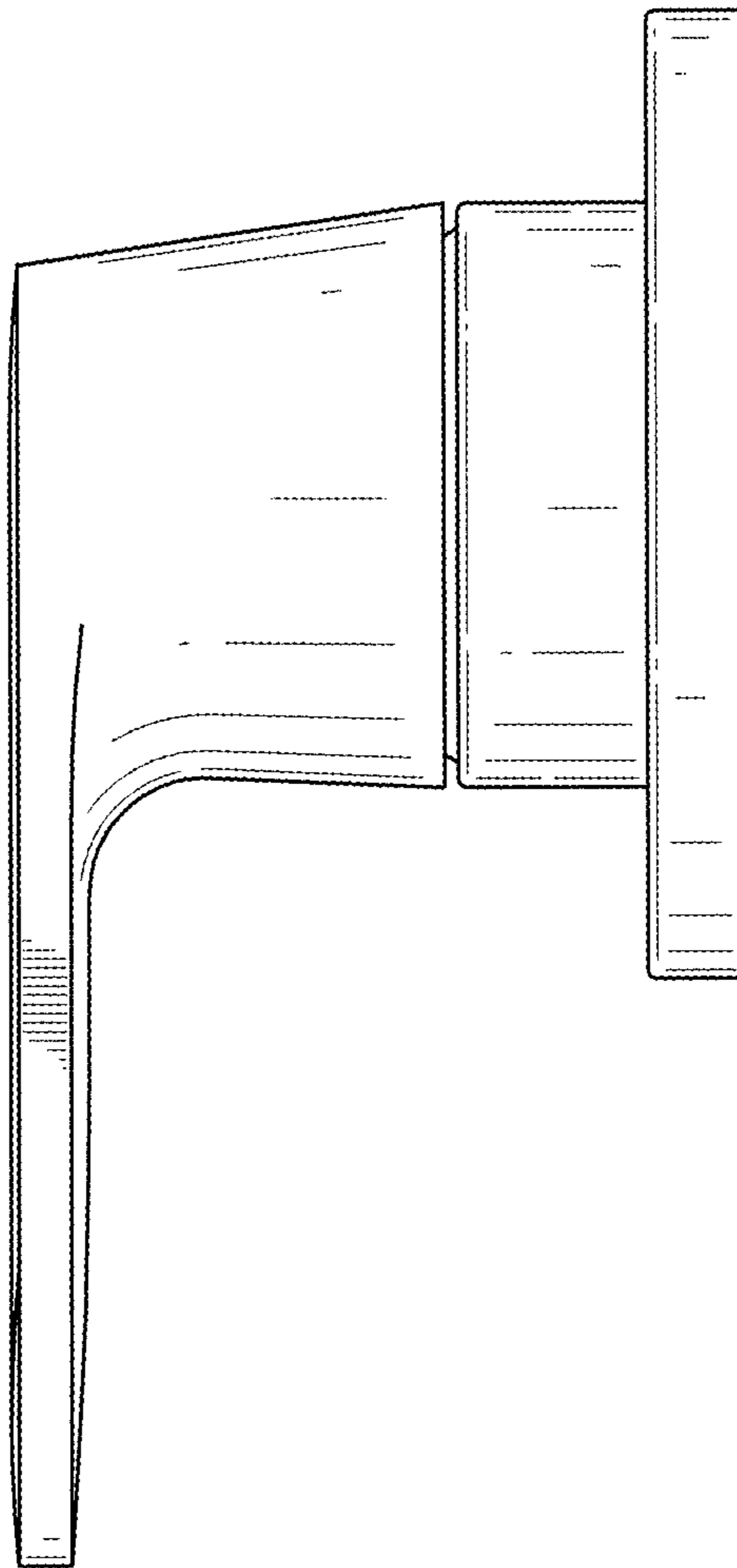


FIG.5

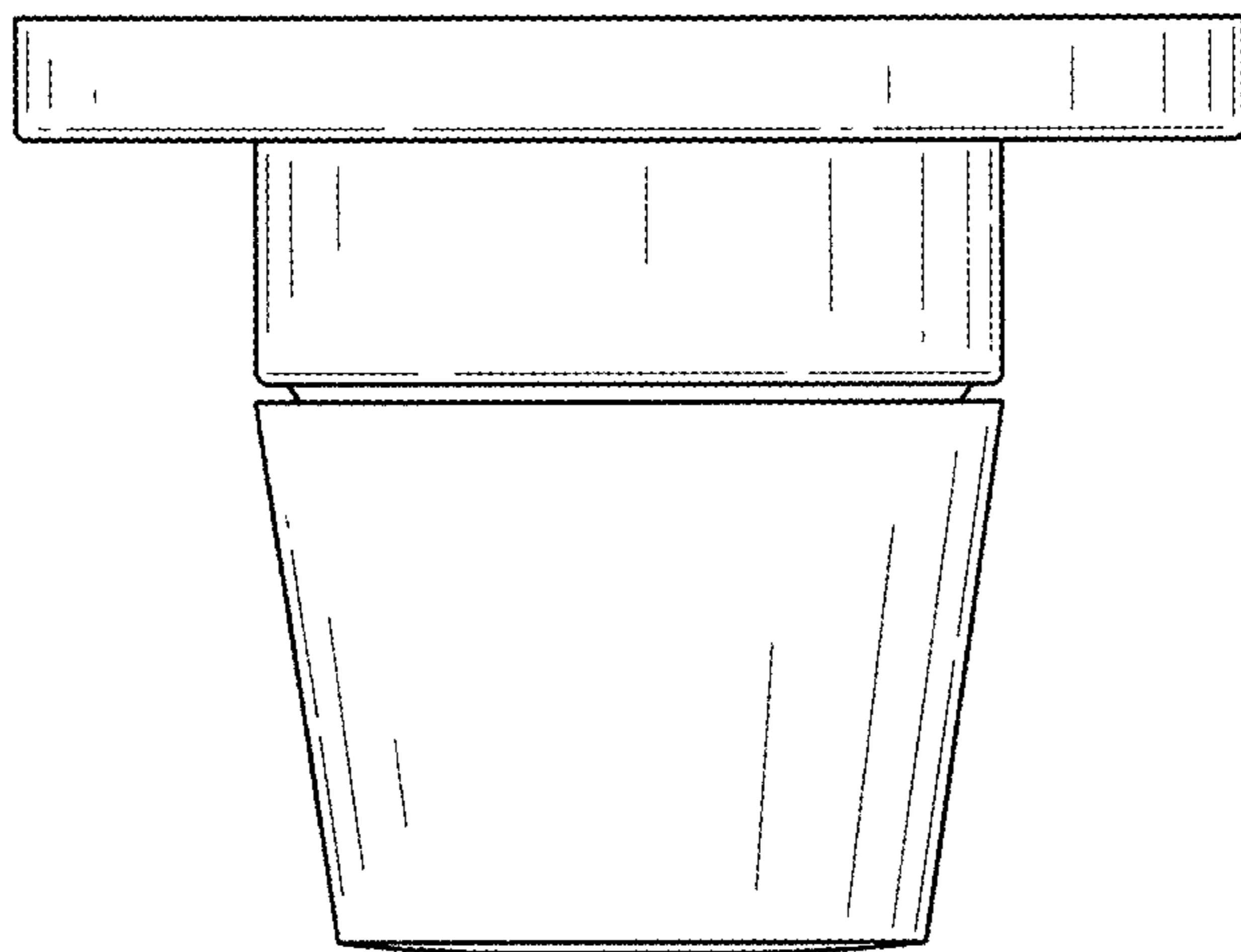


FIG.6

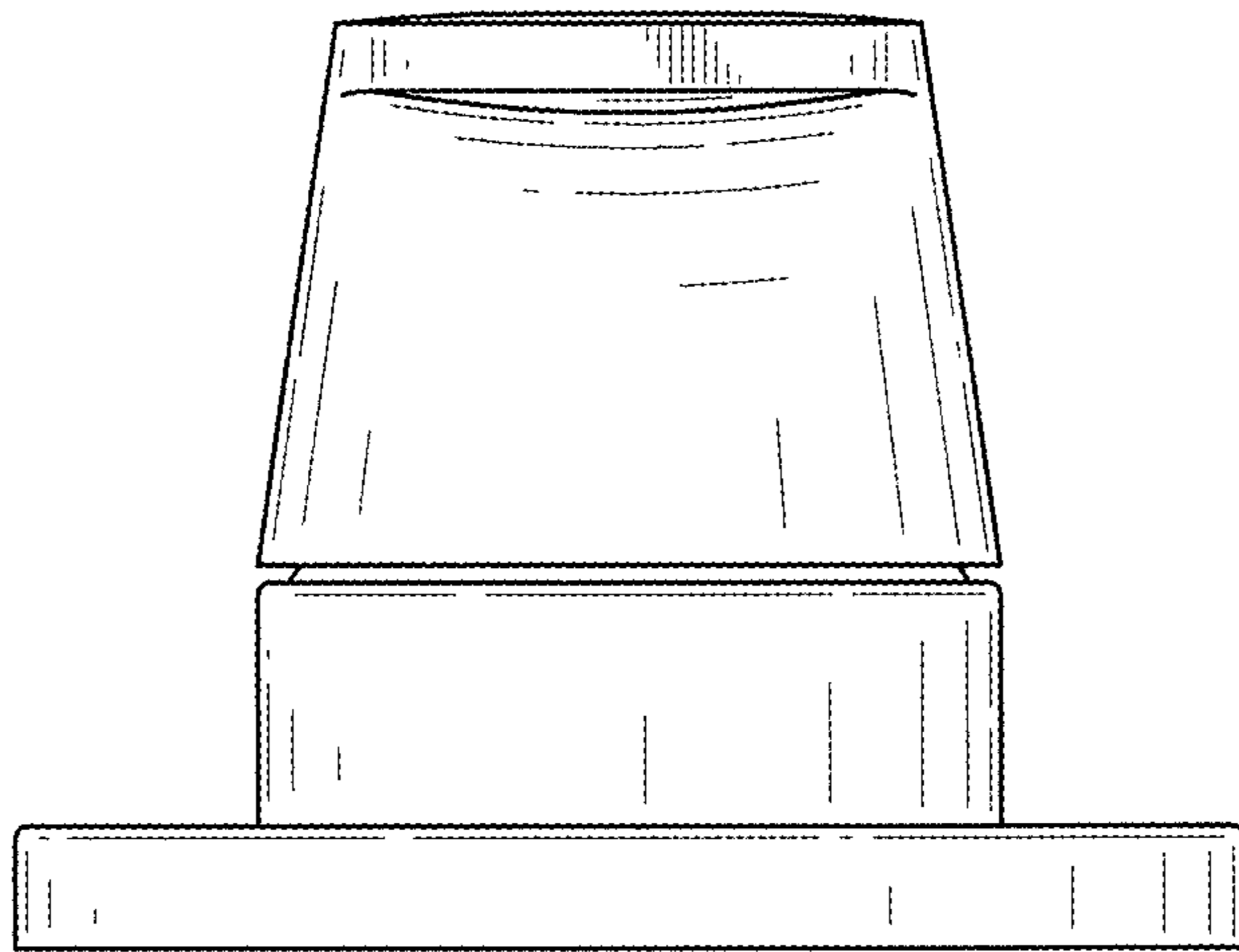


FIG.7