



US00D901641S

(12) **United States Design Patent** (10) **Patent No.:** **US D901,641 S**
Seum et al. (45) **Date of Patent:** **** Nov. 10, 2020**

(54) **DIVERTER HANDLE**

(71) Applicant: **Grohe AG**, Hemer (DE)

(72) Inventors: **Michael Seum**, Duesseldorf (DE);
Jacob Nitz, Brooklyn, NY (US)

(73) Assignee: **Grohe AG**, Hemer (DE)

(**) Term: **15 Years**

(21) Appl. No.: **29/693,762**

(22) Filed: **Jun. 5, 2019**

(30) **Foreign Application Priority Data**

Dec. 5, 2018 (EM) 005844156-0009

(51) **LOC (12) Cl.** **23-01**

(52) **U.S. Cl.**
USPC **D23/254**

(58) **Field of Classification Search**
USPC D23/250, 252, 254, 238–243, 249;
D8/307–308, 352, 353
CPC E03C 1/0408; E03C 1/09; E03C 1/042;
E03C 1/0412
See application file for complete search history.

(56) **References Cited**

U.S. PATENT DOCUMENTS

D628,277 S * 11/2010 Montgomery D23/252
D740,395 S * 10/2015 Flowers D23/252

D740,919 S * 10/2015 Flowers D23/252
D757,225 S * 5/2016 Schoenherr D23/252
D818,087 S * 5/2018 Seum D23/254
D828,909 S * 9/2018 Liu D23/254

* cited by examiner

Primary Examiner — Robert A Delehanty

(74) *Attorney, Agent, or Firm* — Muncy, Geissler, Olds & Lowe, P.C.

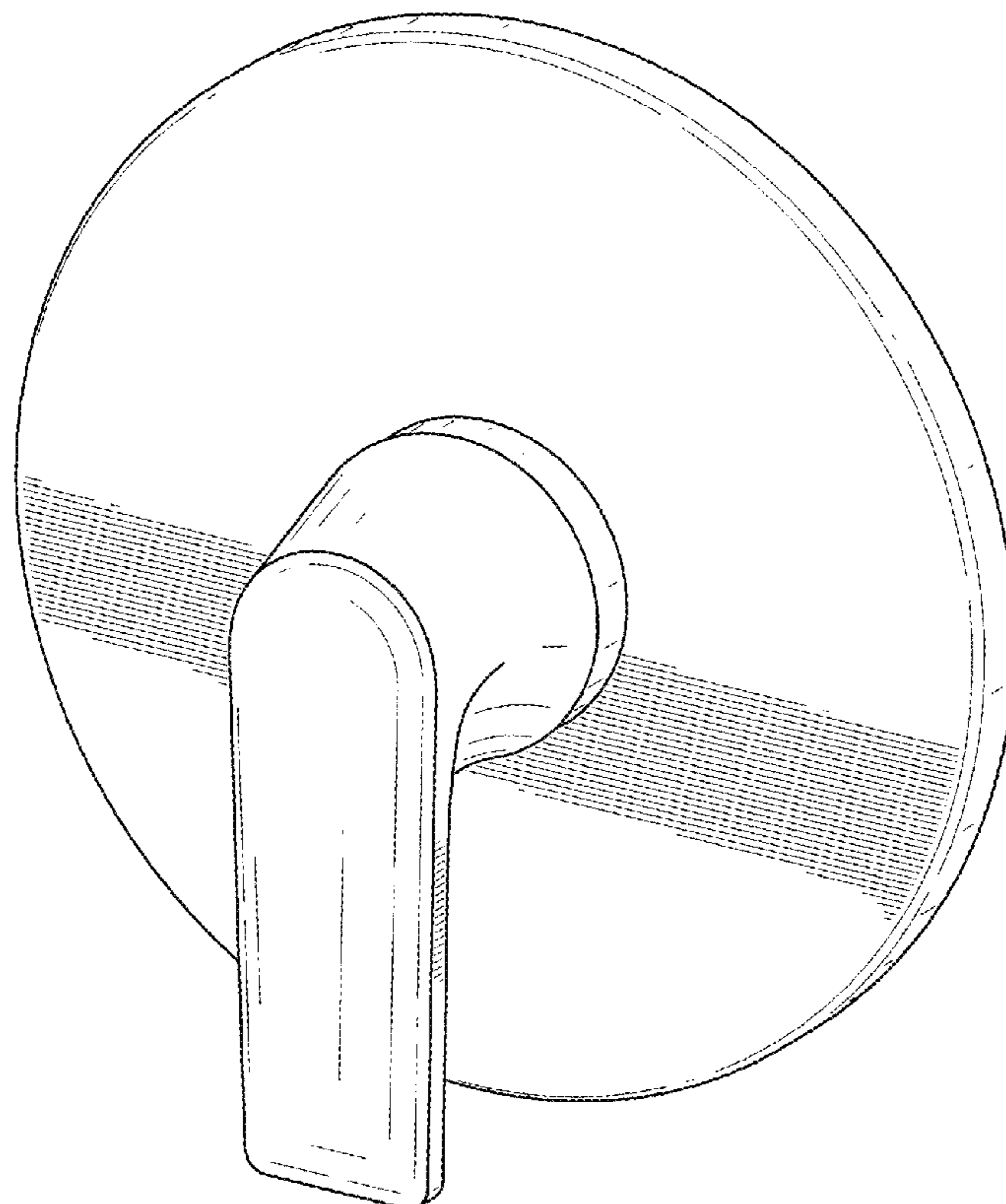
(57) **CLAIM**

The ornamental design for a diverter handle, as shown and described.

DESCRIPTION

FIG. 1 is a front perspective view of a diverter handle according to the present invention.
FIG. 2 is a front view of the diverter handle of FIG. 1.
FIG. 3 is a rear view of the diverter handle of FIG. 1.
FIG. 4 is a left side view of the diverter handle of FIG. 1.
FIG. 5 is a right side view of the diverter handle of FIG. 1.
FIG. 6 is a top view of the diverter handle of FIG. 1; and, FIG. 7 is a bottom view of the diverter handle of FIG. 1.
The broken lines shown on the rear of the diverter handle define the bounds of the claimed design and the portion inside the broken lines form no part thereof.

1 Claim, 7 Drawing Sheets



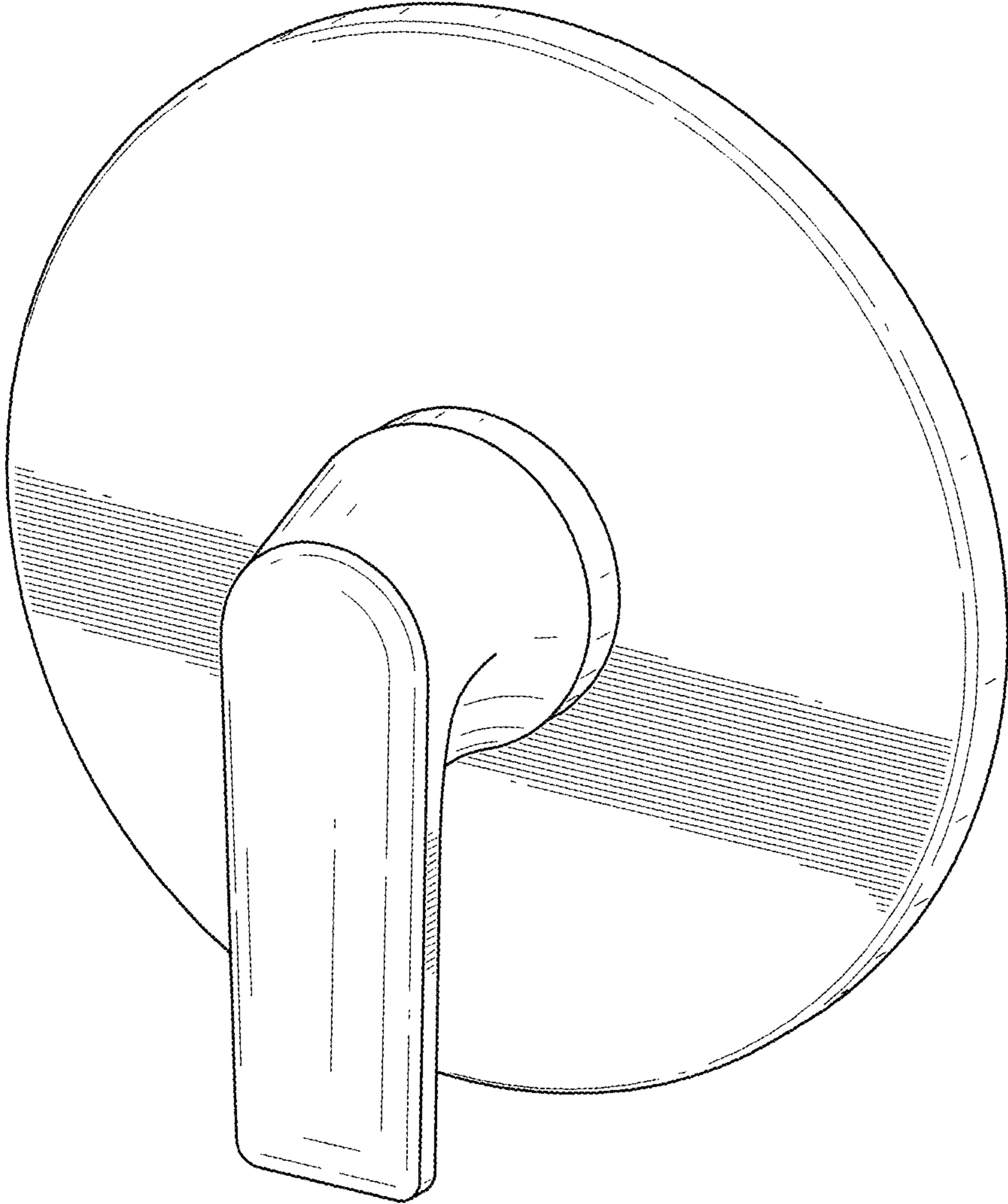


FIG. 1

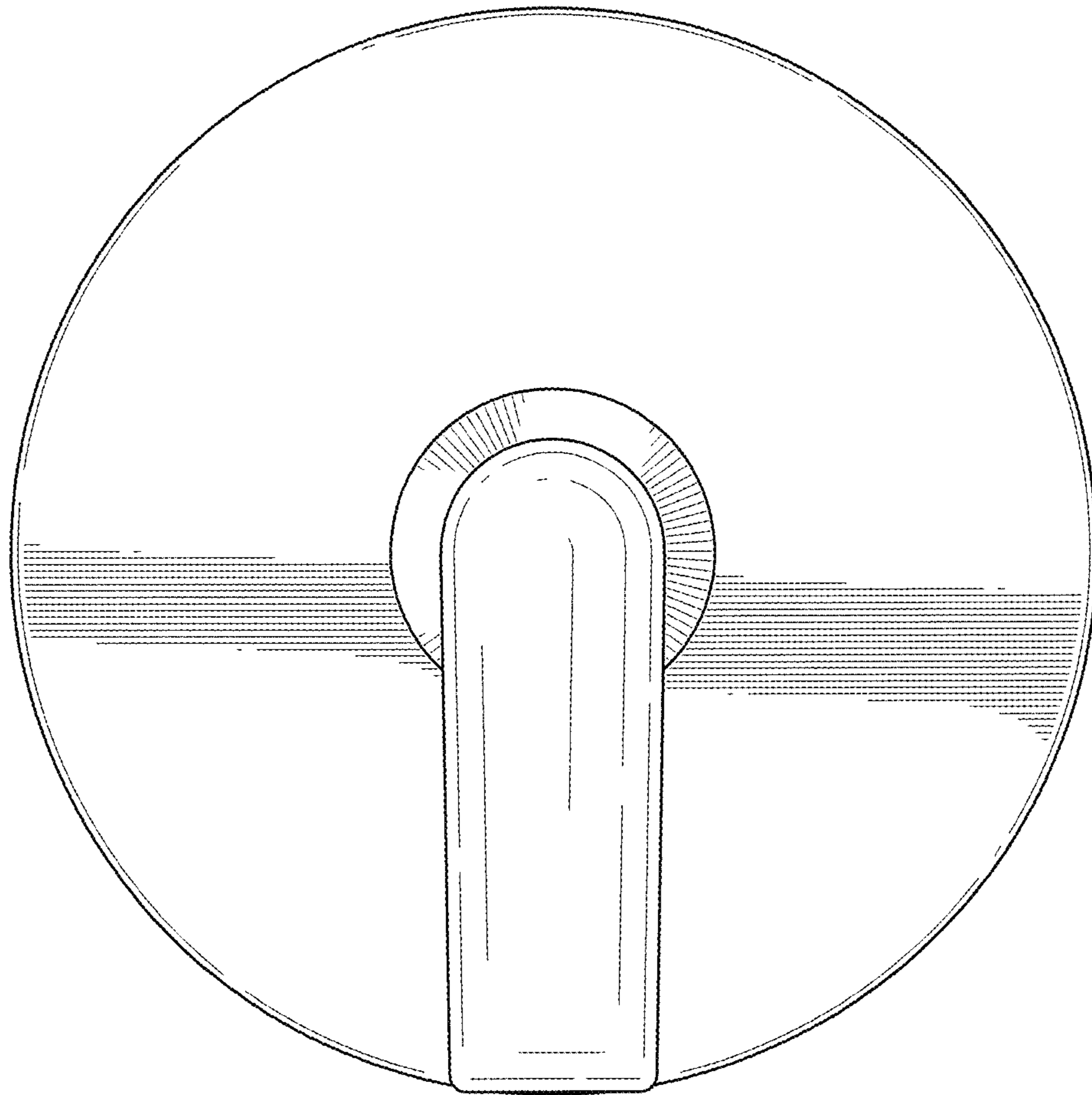


FIG.2

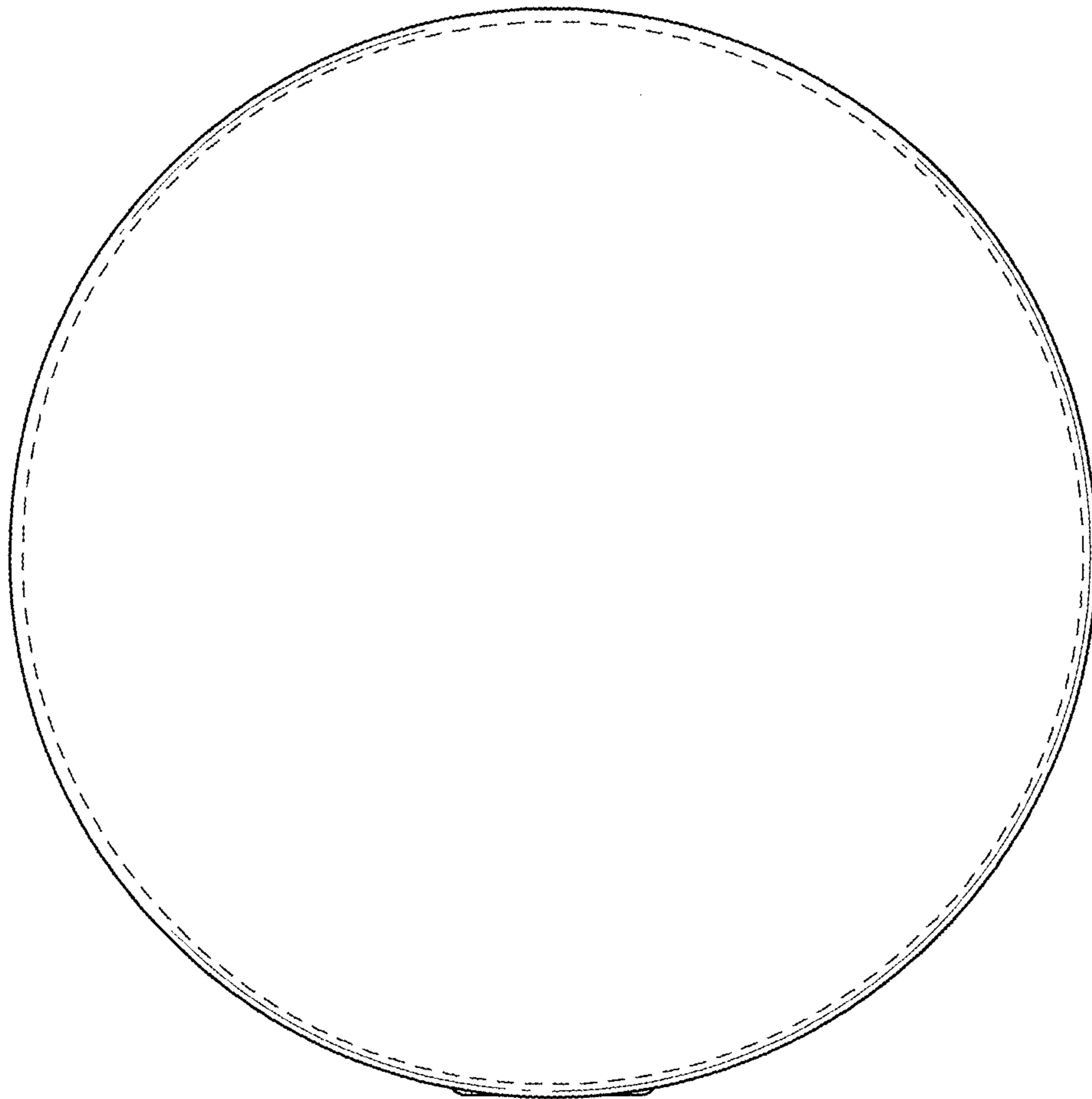


FIG.3

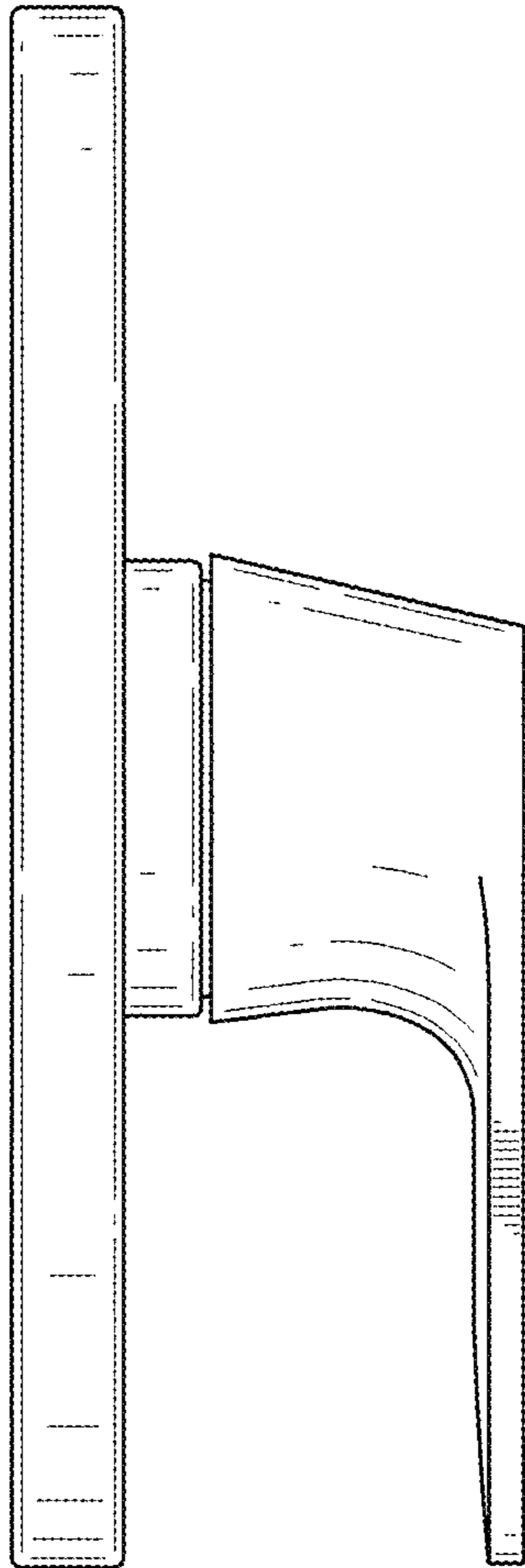


FIG.4

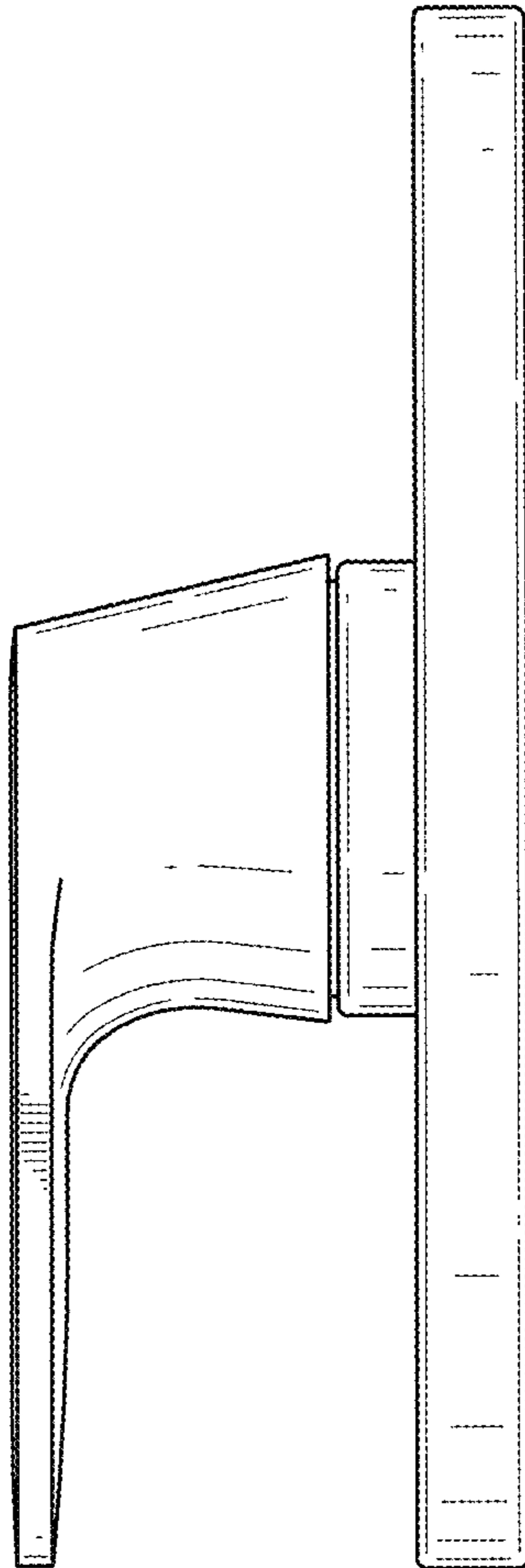


FIG.5

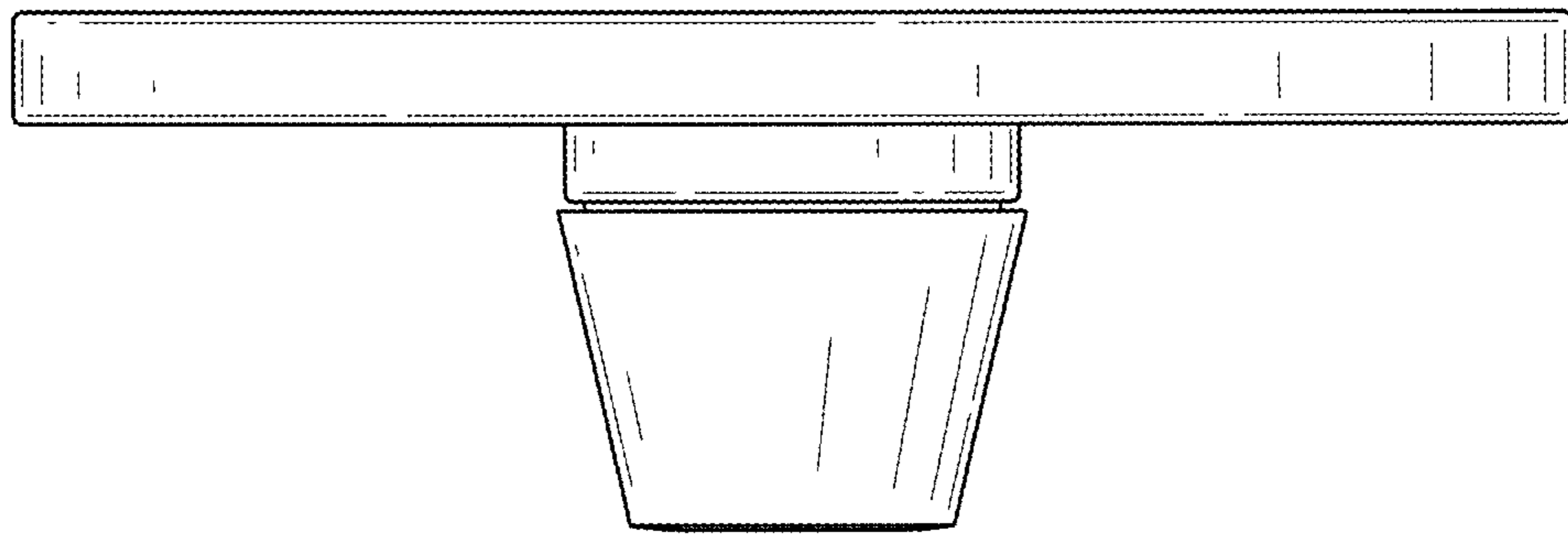


FIG.6

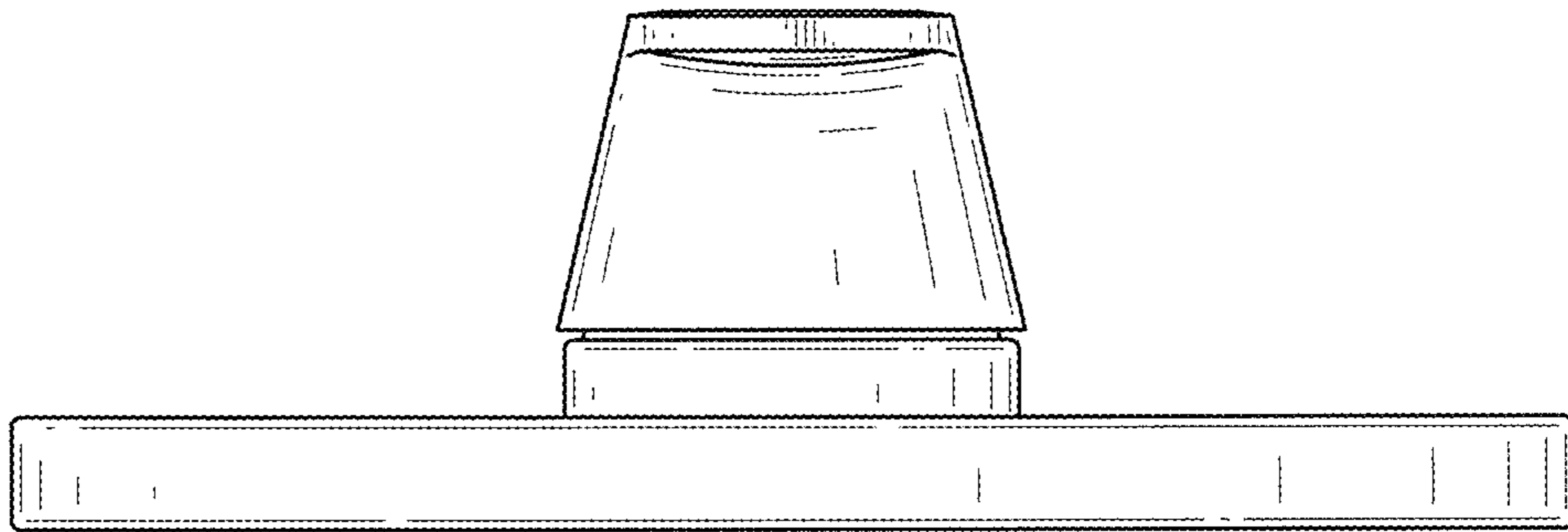


FIG.7