



US00D901640S

(12) **United States Design Patent** (10) **Patent No.:** **US D901,640 S**
Seum et al. (45) **Date of Patent:** **** Nov. 10, 2020**

(54) **FAUCET HANDLE**

8,627,844 B2 * 1/2014 Allen E03C 1/042
137/359

(71) Applicant: **Grohe AG**, Hemer (DE)

D735,841 S * 8/2015 Obara D23/252
D818,087 S * 5/2018 Seum D23/254

(72) Inventors: **Michael Seum**, Duesseldorf (DE);
Beguem Tomruk, Duesseldorf (DE)

* cited by examiner

(73) Assignee: **Grohe AG**, Hemer (DE)

Primary Examiner — Robert A Delehanty
(74) *Attorney, Agent, or Firm* — Muncy, Geissler, Olds & Lowe, P.C.

(**) Term: **15 Years**

(21) Appl. No.: **29/689,111**

(57) **CLAIM**

(22) Filed: **Apr. 26, 2019**

The ornamental design for a faucet handle, as shown and described.

(30) **Foreign Application Priority Data**

DESCRIPTION

Oct. 26, 2018 (EM) 005809282-0026

(51) **LOC (12) Cl.** **23-01**

(52) **U.S. Cl.**
USPC **D23/254**

(58) **Field of Classification Search**
USPC D23/250, 252, 254, 238–243, 249;
D8/307–308, 352, 353
CPC E03C 1/0408; E03C 1/09; E03C 1/042;
E03C 1/0412
See application file for complete search history.

FIG. 1 is a front perspective view of a faucet according to the present invention.

FIG. 2 is a front view of the faucet handle of FIG. 1.
FIG. 3 is a rear view of the faucet handle of FIG. 1.
FIG. 4 is a left side view of the faucet handle of FIG. 1.
FIG. 5 is a right side view of the faucet handle of FIG. 1.
FIG. 6 is a top view of the faucet handle of FIG. 1; and,
FIG. 7 is a bottom view of the faucet handle of FIG. 1.

A portion of the faucet handle is shown with a symbolic break in its length. The appearance of any portion of the article between the break lines forms no part of the claimed design.

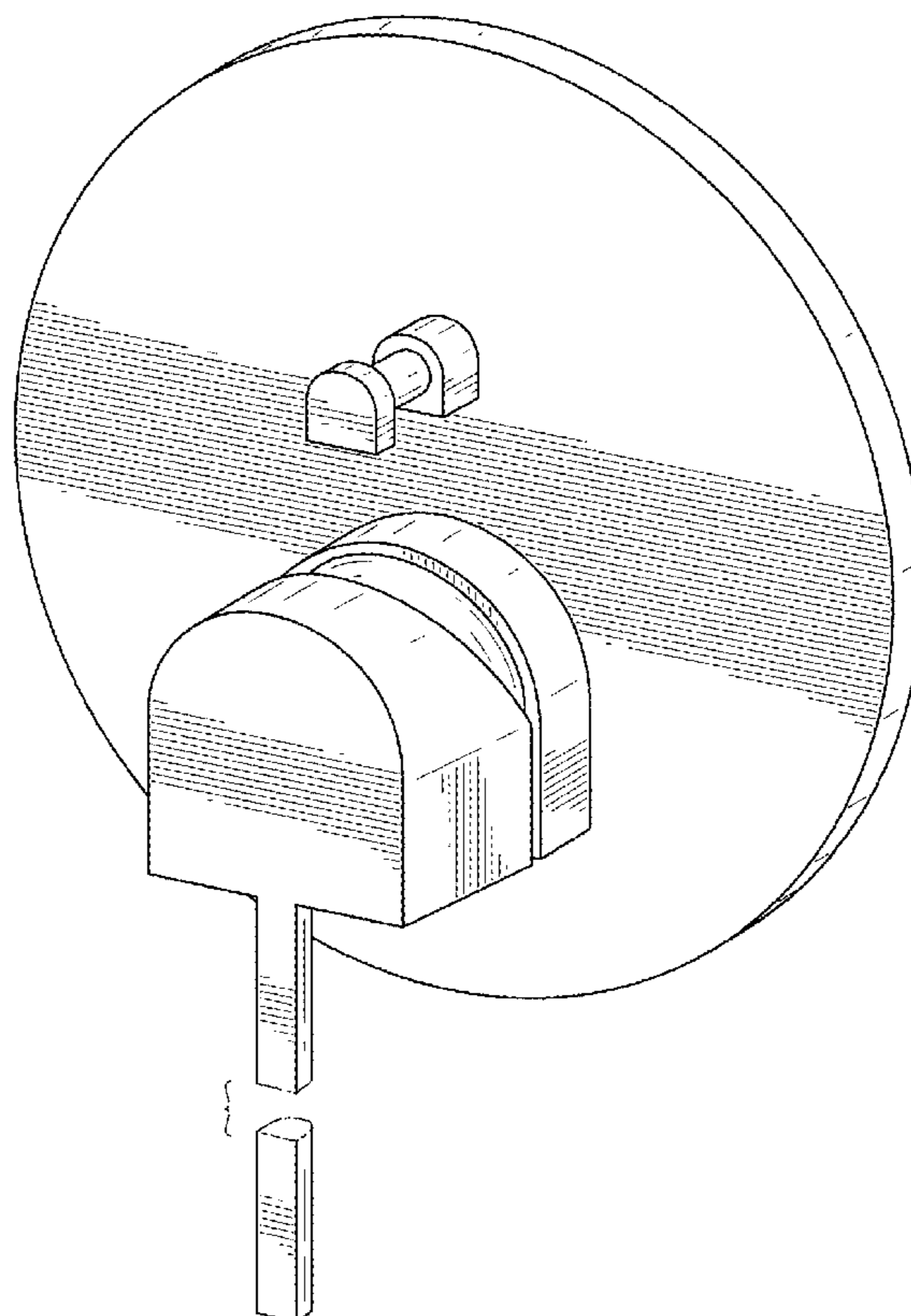
The broken lines shown on the rear of the faucet handle define the bounds of the claimed design and the portion inside the broken lines form no part thereof.

(56) **References Cited**

U.S. PATENT DOCUMENTS

D592,284 S * 5/2009 Lammel D23/254
D627,861 S * 11/2010 Sandee D23/254

1 Claim, 7 Drawing Sheets



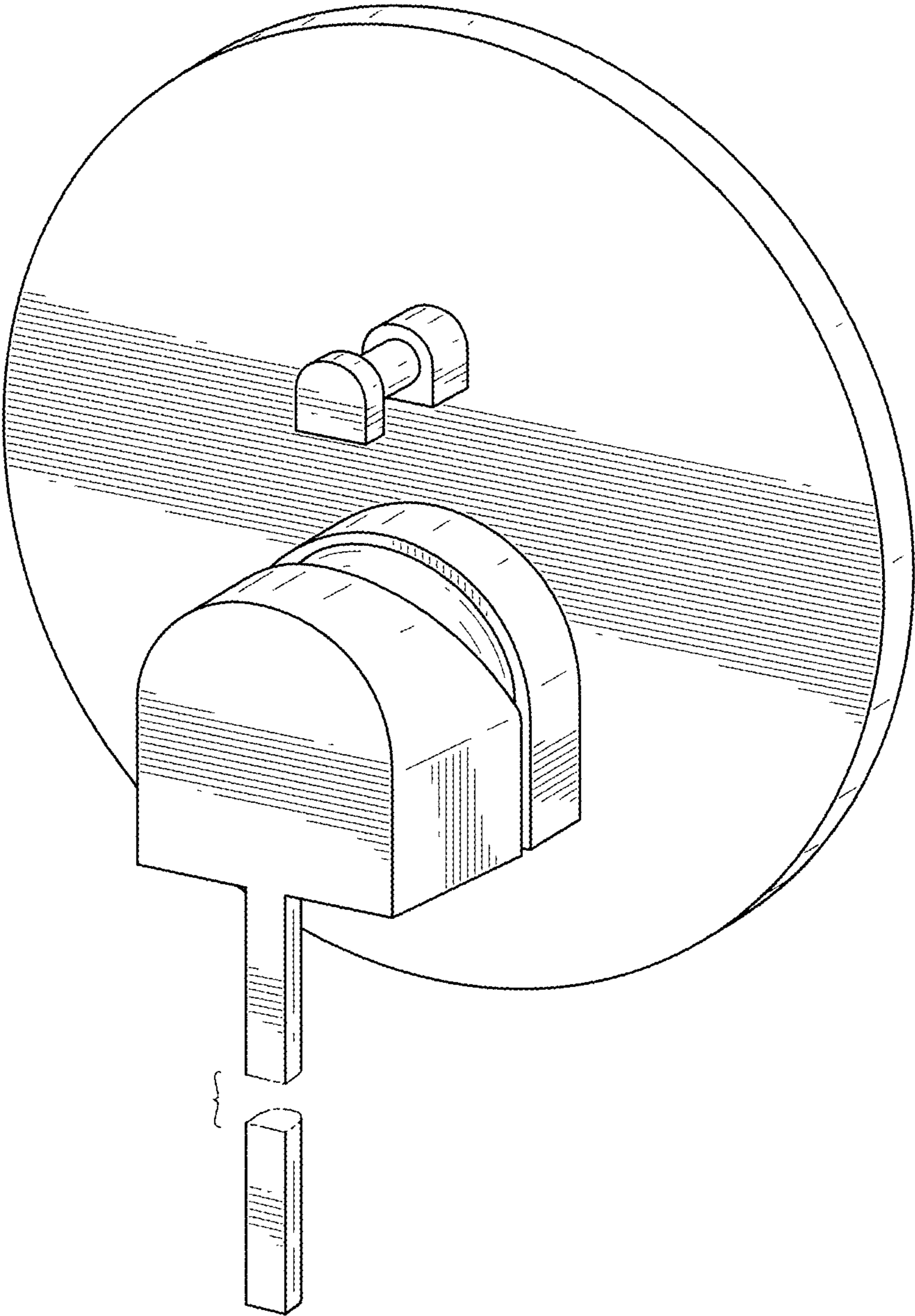


FIG.1

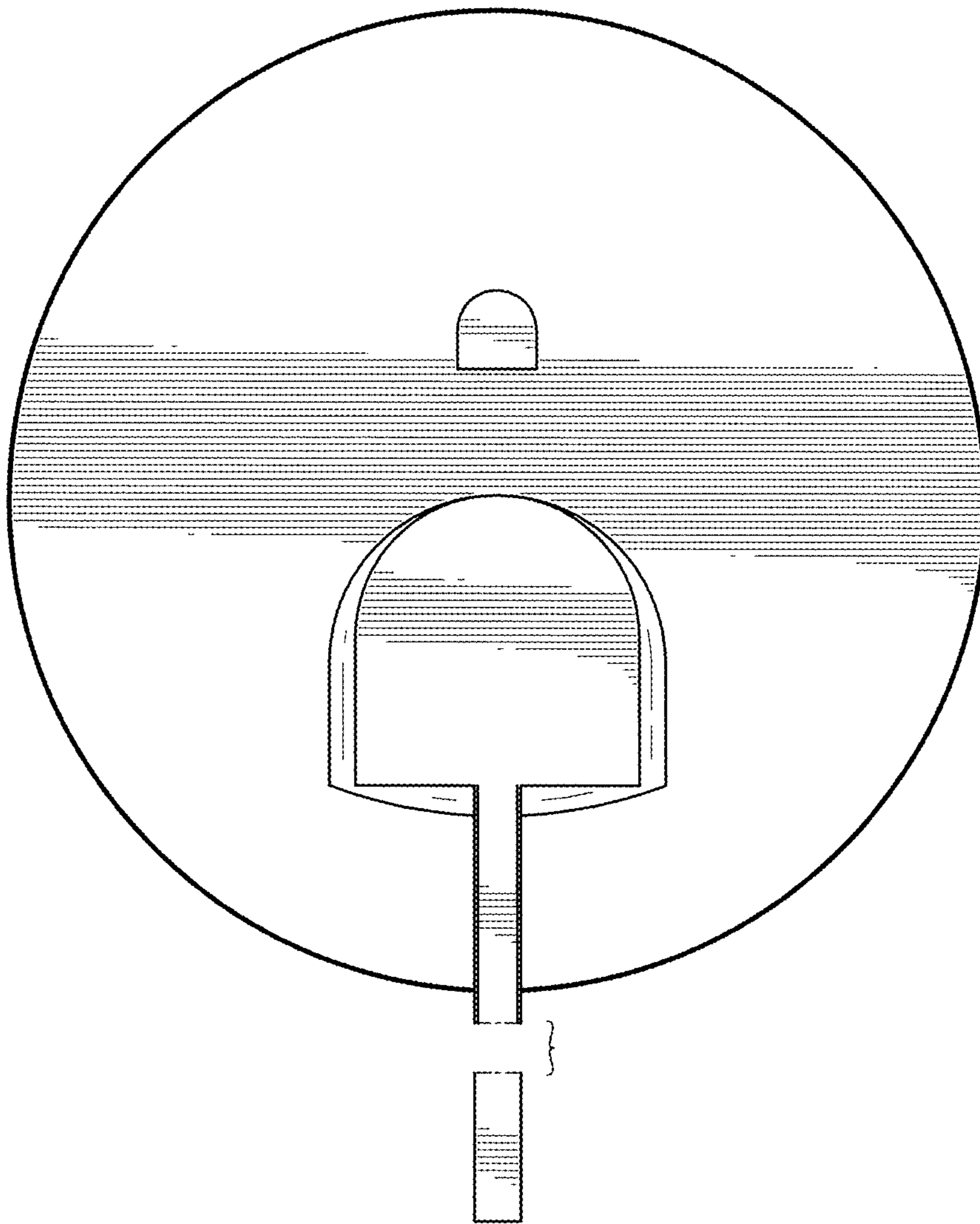


FIG.2

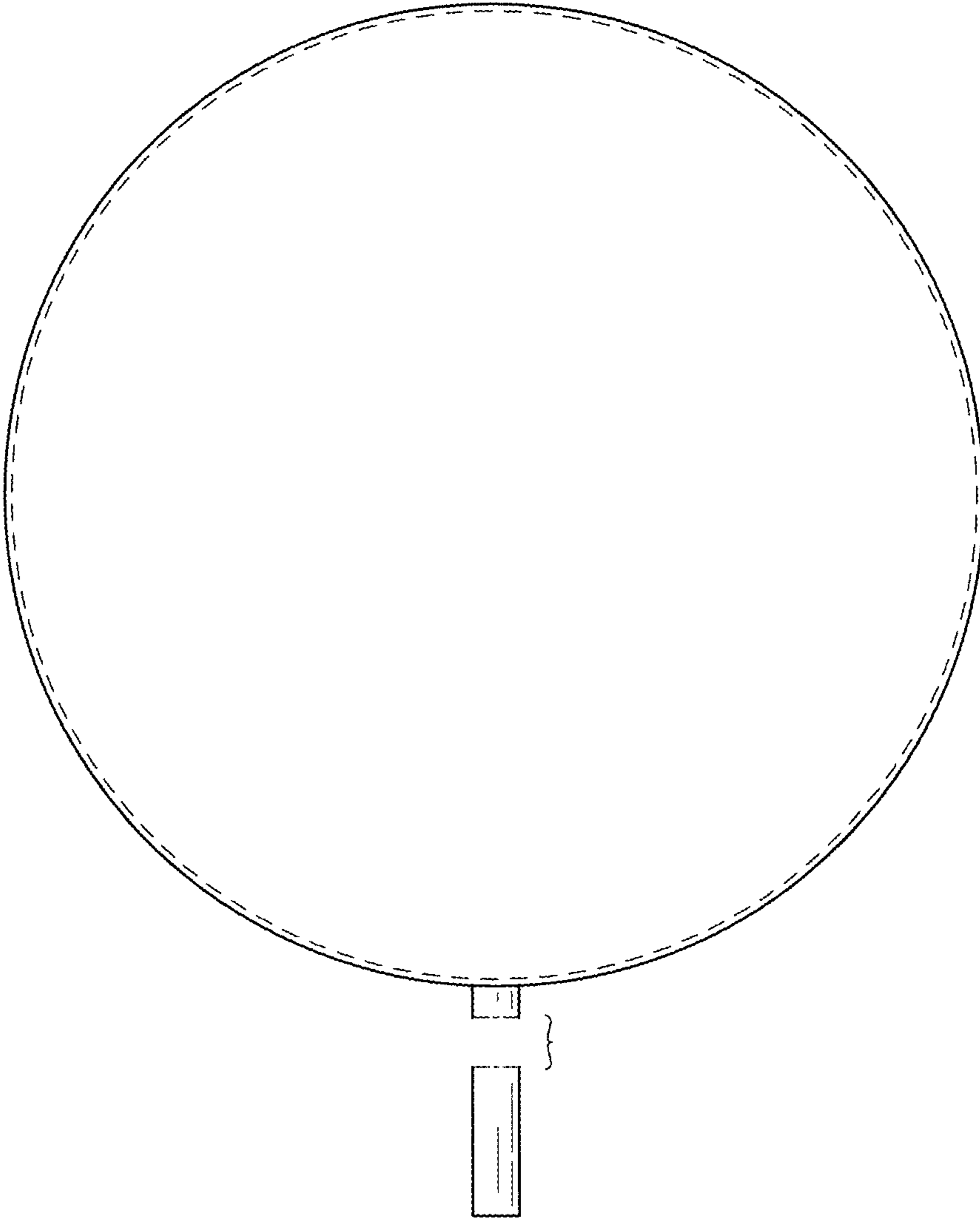


FIG.3

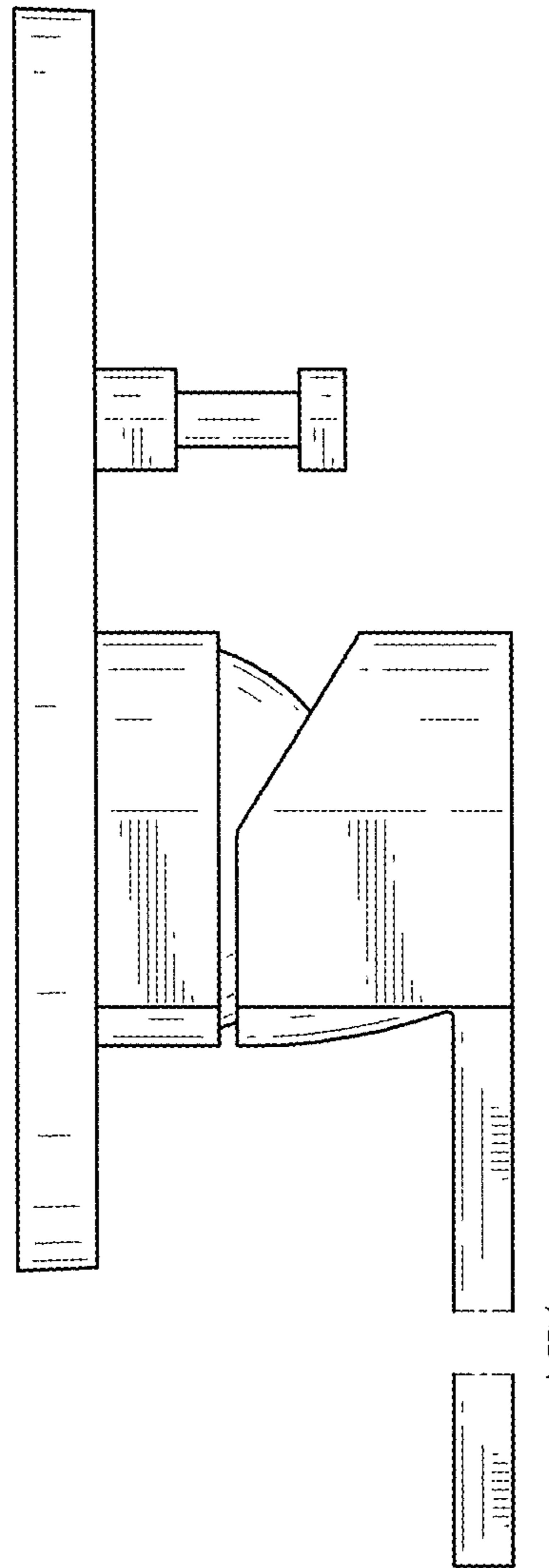


FIG.4

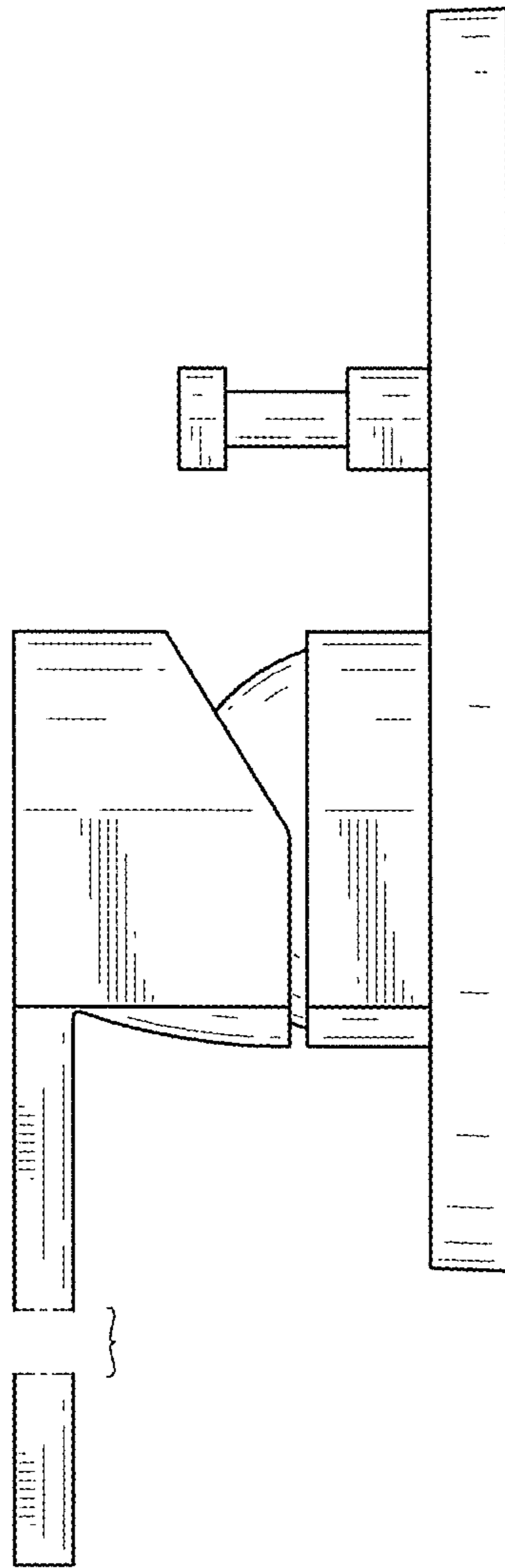


FIG.5

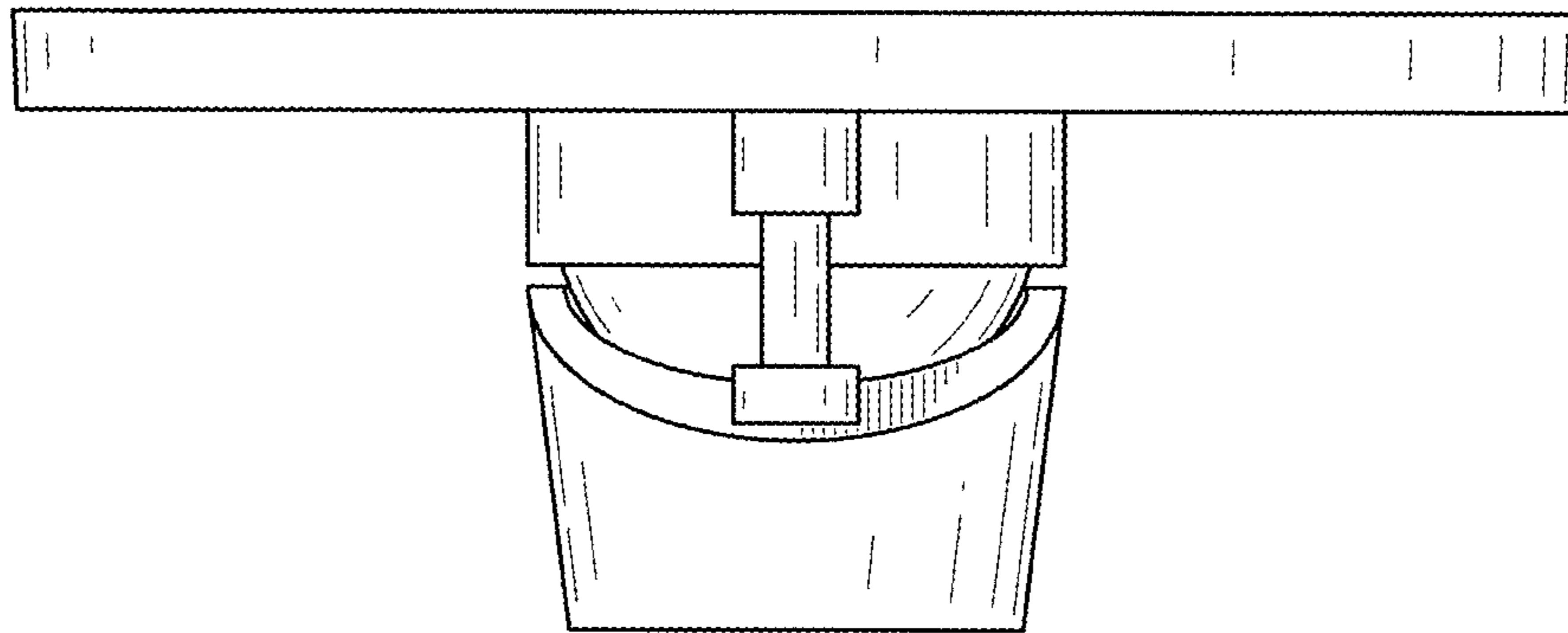


FIG.6

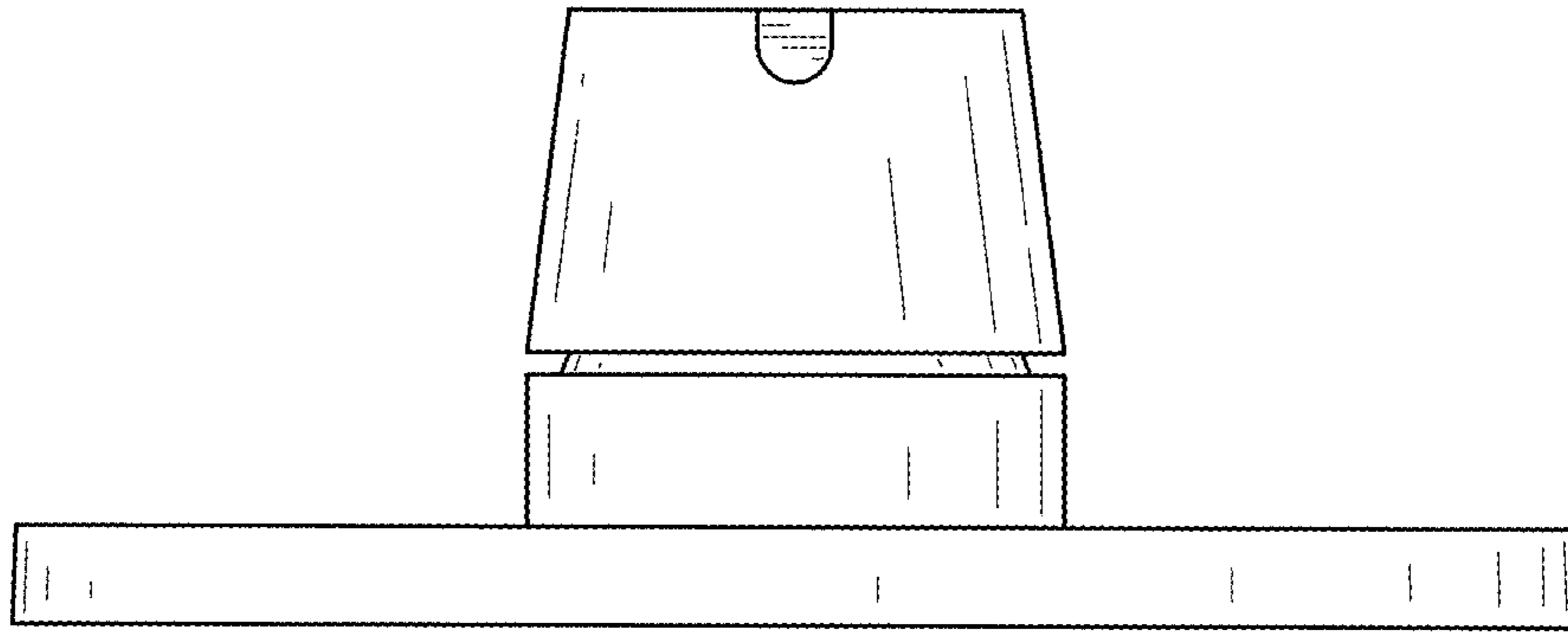


FIG.7