



US00D901638S

(12) **United States Design Patent** (10) **Patent No.:** **US D901,638 S**
Soulier et al. (45) **Date of Patent:** **** Nov. 10, 2020**

(54) **FAUCET HANDLE**
(71) Applicant: **Kohler Co.**, Kohler, WI (US)
(72) Inventors: **Jean-Hugues Soulier**, Paris (FR);
Ferran Serra Sola, Paris (FR); **Drew Johnson**, Sheboygan, WI (US)
(73) Assignee: **KOHLER CO.**, Kohler, WI (US)

D441,059 S * 4/2001 Fleischmann D23/254
D441,844 S 5/2001 Fleischmann
D441,845 S * 5/2001 Fleischmann D23/254
D442,263 S 5/2001 Warshawsky
D462,421 S 9/2002 Hundley
D469,157 S * 1/2003 Lobermeier D23/238
D487,586 S 3/2004 Haug
D487,924 S 3/2004 Lin
(Continued)

(**) Term: **15 Years**
(21) Appl. No.: **29/641,459**
(22) Filed: **Mar. 22, 2018**

Related U.S. Application Data

(62) Division of application No. 29/595,290, filed on Feb. 27, 2017, now Pat. No. Des. 823,440.
(51) **LOC (12) Cl.** **23-01**
(52) **U.S. Cl.**
USPC **D23/252**
(58) **Field of Classification Search**
USPC D23/250, 252, 254, 309, 313;
D8/307-308
CPC Y10T 137/9464
See application file for complete search history.

References Cited

U.S. PATENT DOCUMENTS

D59,314 S 10/1921 Winsen
D63,931 S 2/1924 Bowden
D110,995 S 8/1938 Bellem, Jr.
D127,734 S 6/1941 Dreyfuss
D254,265 S * 2/1980 Karamian D23/238
D279,213 S 6/1985 Paul
D310,862 S 9/1990 Strignano
D310,865 S 9/1990 Strignano
D311,438 S 10/1990 Strignano
D312,495 S 11/1990 Joerger
D354,548 S 1/1995 Bollenbacher

OTHER PUBLICATIONS

Hotel Management, Classy faucet: The Wheel by Waterstone, posted Sep. 29, 2016, [online], [visited Aug. 23, 2019]. Internet, URL: <https://www.hotelmanagement.net/design-trends/classy-faucet-wheel-by-waterstone> (Year: 2016).
(Continued)

Primary Examiner — Robert A Delehanty
(74) *Attorney, Agent, or Firm* — Foley & Lardner LLP

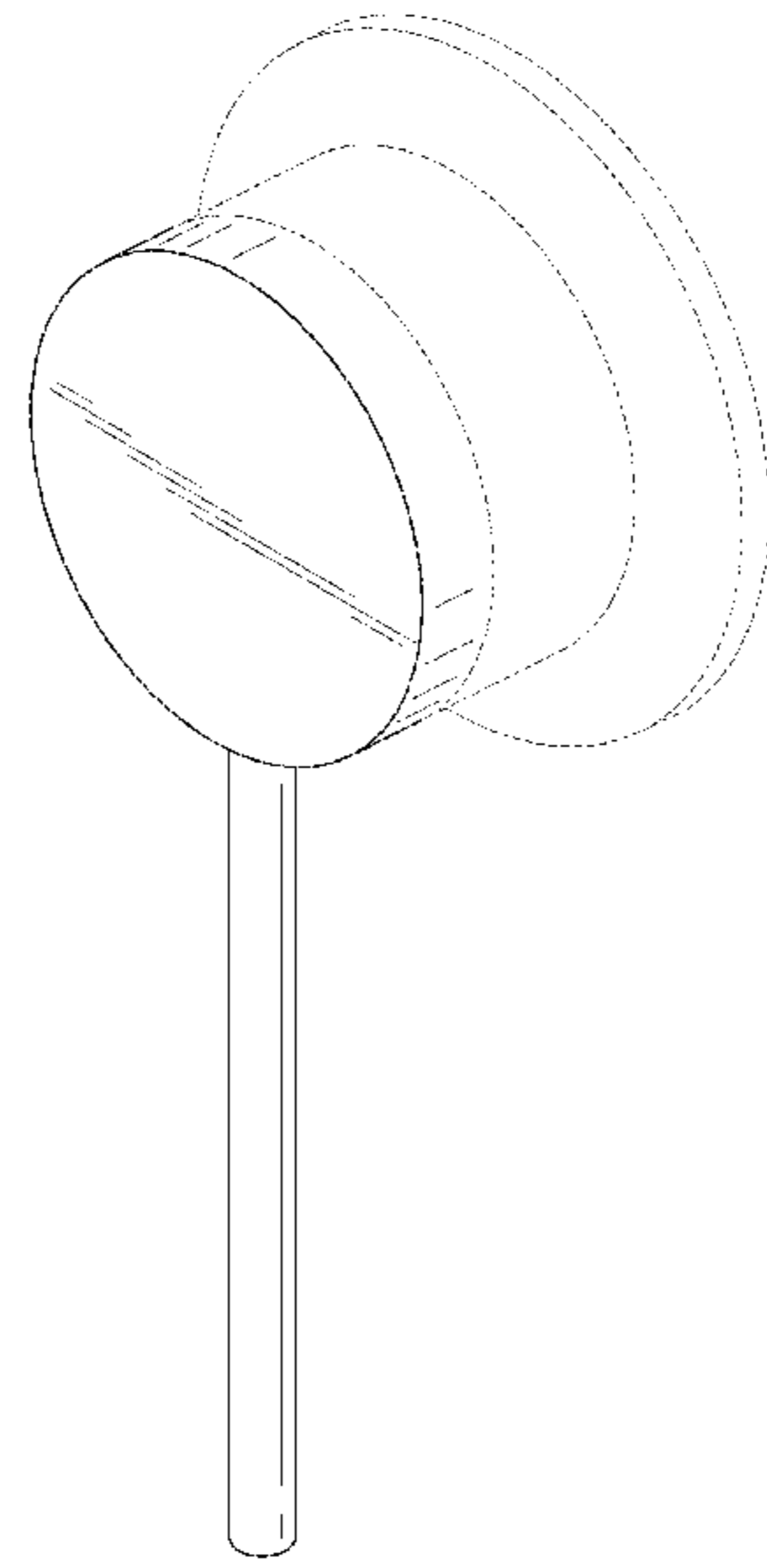
CLAIM

(57) We claim the ornamental design for a faucet handle, as shown and described.

DESCRIPTION

FIG. 1 is a top, front, right perspective view of an embodiment of the claimed design;
FIG. 2 is a front elevation view thereof;
FIG. 3 is a right side elevation view thereof;
FIG. 4 is a left side elevation view thereof;
FIG. 5 is a top plan view thereof;
FIG. 6 is a bottom plan view thereof; and,
FIG. 7 is a rear elevation view thereof.
The ornamental design which is claimed is shown in solid lines in the drawings. The broken lines in the drawings are for illustrative purposes only and form no part of the claimed design. Broken lines formed by equal length dashes show unclaimed subject matter.

1 Claim, 5 Drawing Sheets



(56)

References Cited

U.S. PATENT DOCUMENTS

D490,881 S 6/2004 Lin
 D516,677 S 3/2006 Haug
 D526,883 S 8/2006 Gilbert
 D527,794 S 9/2006 Sieger
 D531,277 S 10/2006 Tsai
 D531,698 S * 11/2006 Wood D23/238
 D531,702 S 11/2006 Haug
 D535,725 S 1/2007 Chu
 D541,383 S 4/2007 Green
 D541,909 S 5/2007 Schoenherr
 D542,384 S 5/2007 Starck
 D543,609 S 5/2007 Dolan
 D548,563 S 8/2007 Hoernig
 D564,073 S * 3/2008 Shieh D23/238
 D568,447 S 5/2008 Lai
 D568,715 S 5/2008 Gustafson
 D581,494 S 11/2008 Dolan
 D584,798 S * 1/2009 Zetsche D23/238
 D584,799 S * 1/2009 Zetsche D23/238
 D592,284 S 5/2009 Lammel
 D594,934 S * 6/2009 Vu D23/238
 D597,632 S 8/2009 Obara
 D622,820 S 8/2010 Bouroullec
 D624,991 S 10/2010 Kulig
 D627,858 S 11/2010 Hanna
 D627,861 S 11/2010 Sandee et al.

D641,456 S 7/2011 Bickerstaffe et al.
 D655,786 S 3/2012 Fukasawa
 D705,892 S 5/2014 Standefer
 D713,236 S 9/2014 Park
 D714,915 S 10/2014 Von der Lancken
 D726,883 S 4/2015 Flowers
 D786,406 S 5/2017 Schoenherr
 D787,638 S 5/2017 Schoenherr
 D793,534 S 8/2017 Fritz

OTHER PUBLICATIONS

Amazon, JewelryWE Multi faceted ring, posted Jul. 13, 2013, [online], [visited Aug. 23, 2019]. Internet, URL: https://www.amazon.co.uk/JewelryWe-Arrivals-Comfort-Faceted-Engagement/dp/B00DU9FOUE/ref=cm_cr_arp_d_pdt_img_top?ie=UTF8 (Year: 2013).
 Amazon,—Elli Women’s Ring, posted Oct. 11, 2016, [online], [visited Aug. 23, 2019]. Internet, URL: https://www.amazon.co.uk/El-li-Womens-Sterling-Silver-Plated/dp/B01LPSPKCI/ref=sr_1_79?keywords=hexagon+ring&qid=1566577892&s=gateway&sr=8-79 (Year: 2016).
 Amazon, Tioneer Multi-faceted wedding band, posted Oct. 24, 2012, [online], [visited Aug. 23, 2019]. Internet, URL: https://www.amazon.co.uk/Tungsten-Carbide-Polish-Multi-Faceted-Wedding/dp/B005IRP244/ref=cm_cr_arp_d_pdt_img_top?ie=UTF8 (Year: 2012).

* cited by examiner

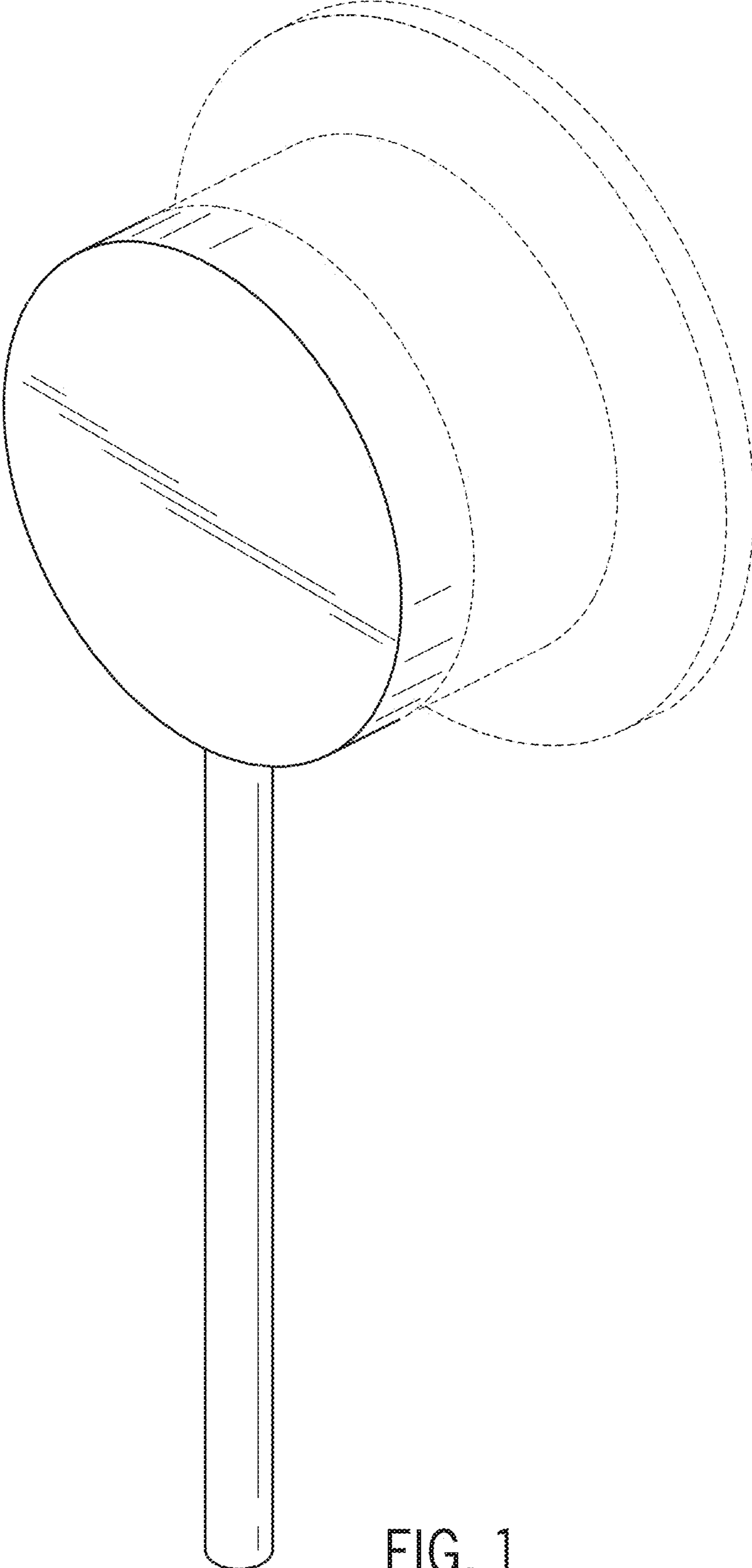


FIG. 1

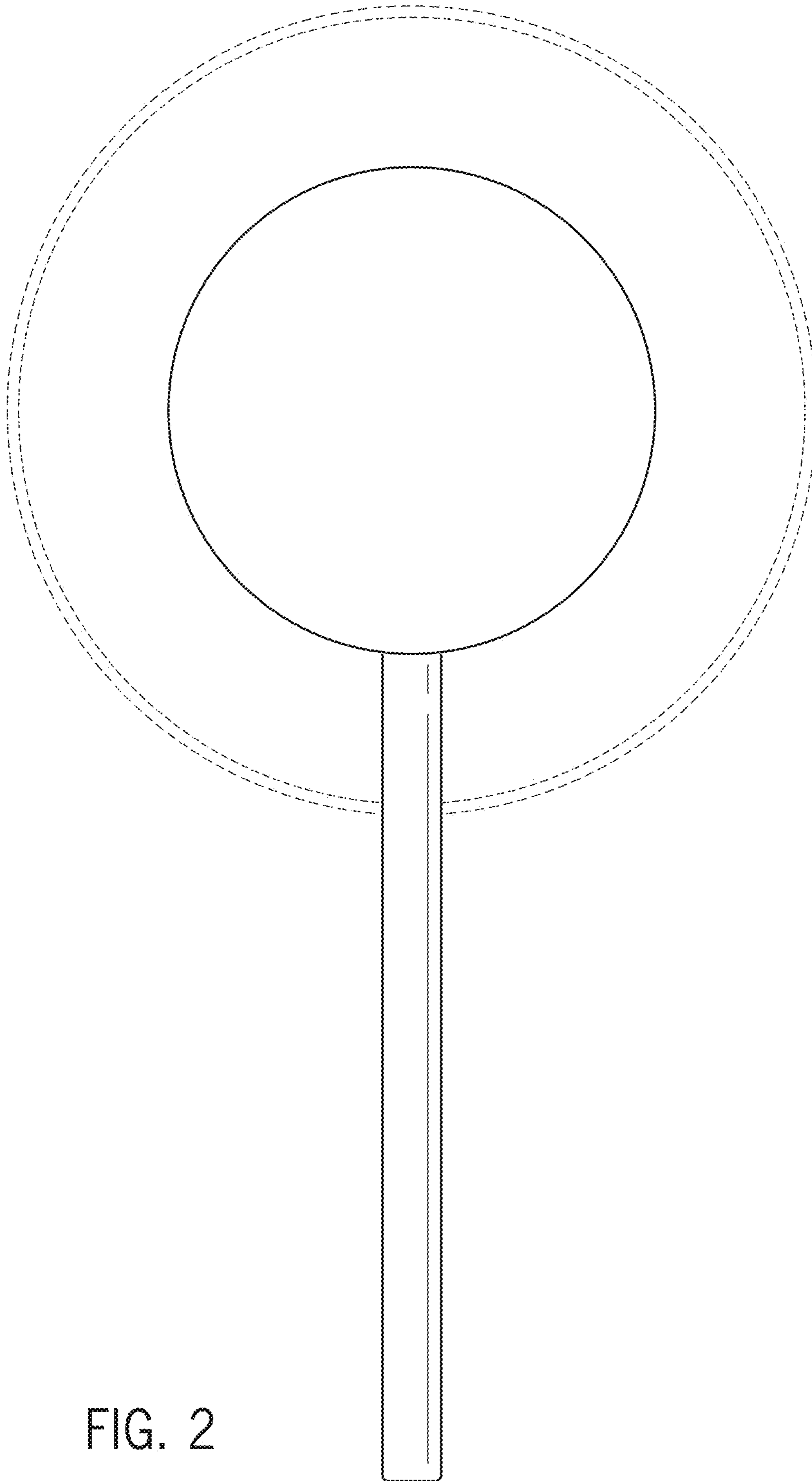


FIG. 2

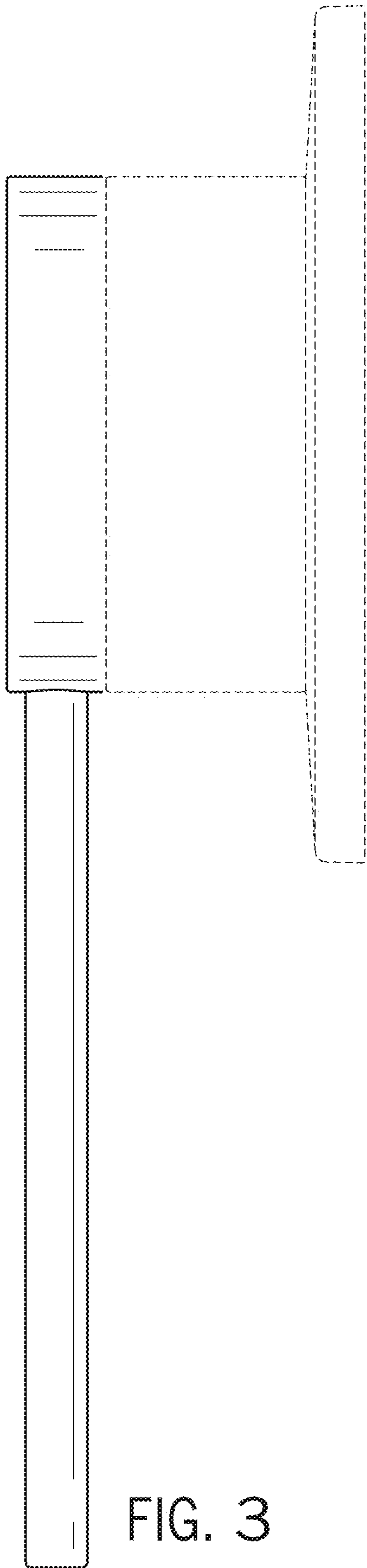


FIG. 3

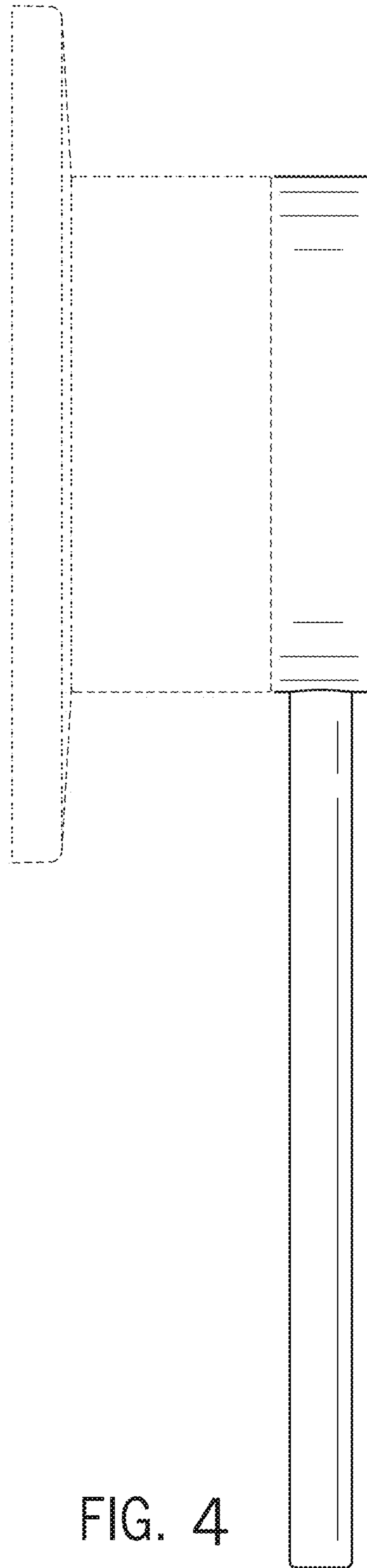


FIG. 4

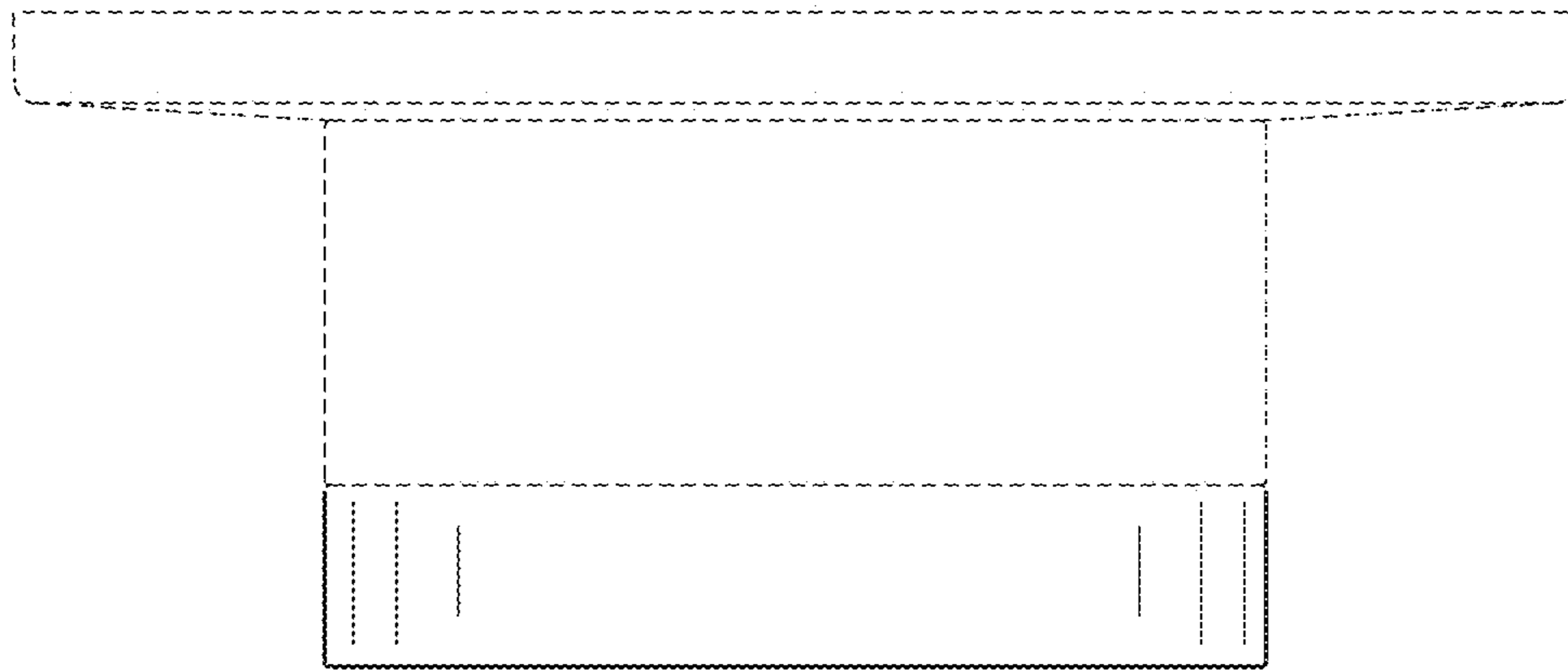


FIG. 5

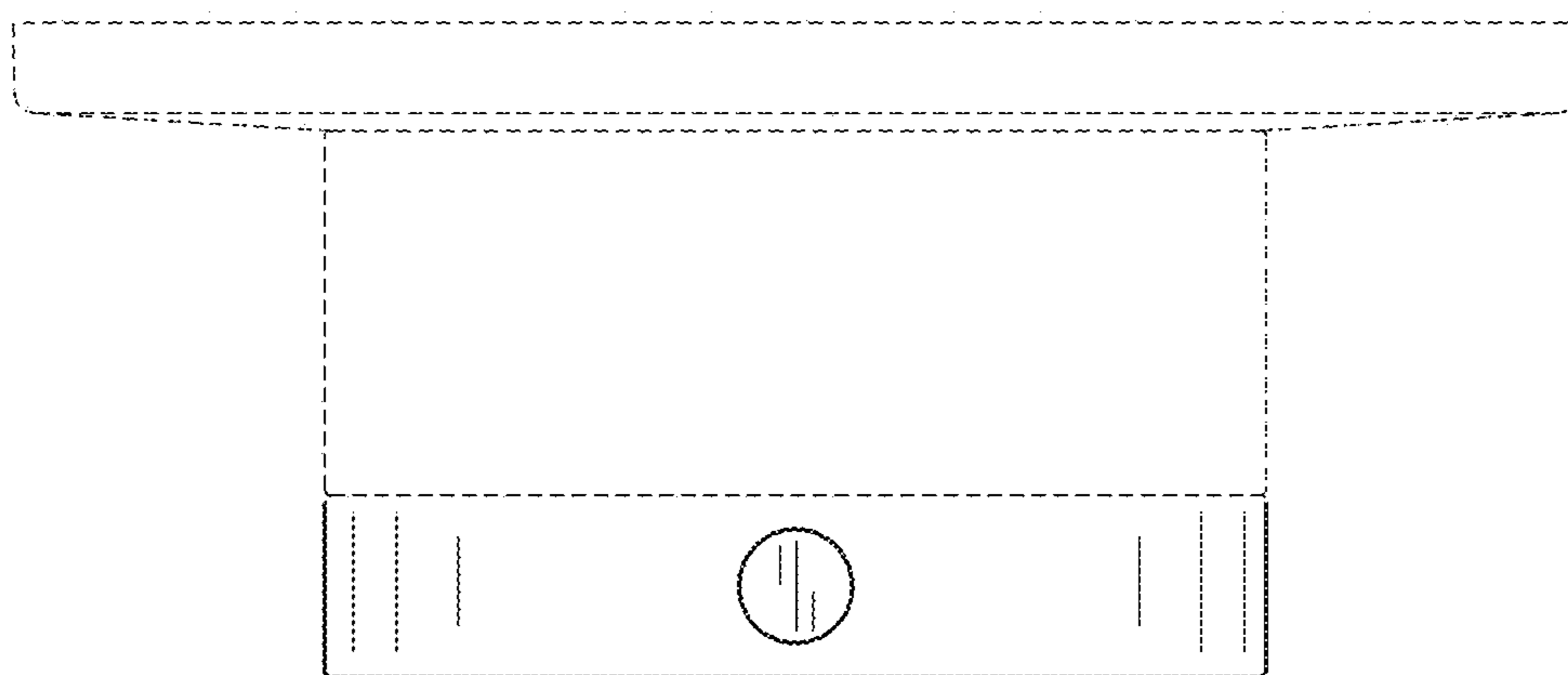


FIG. 6

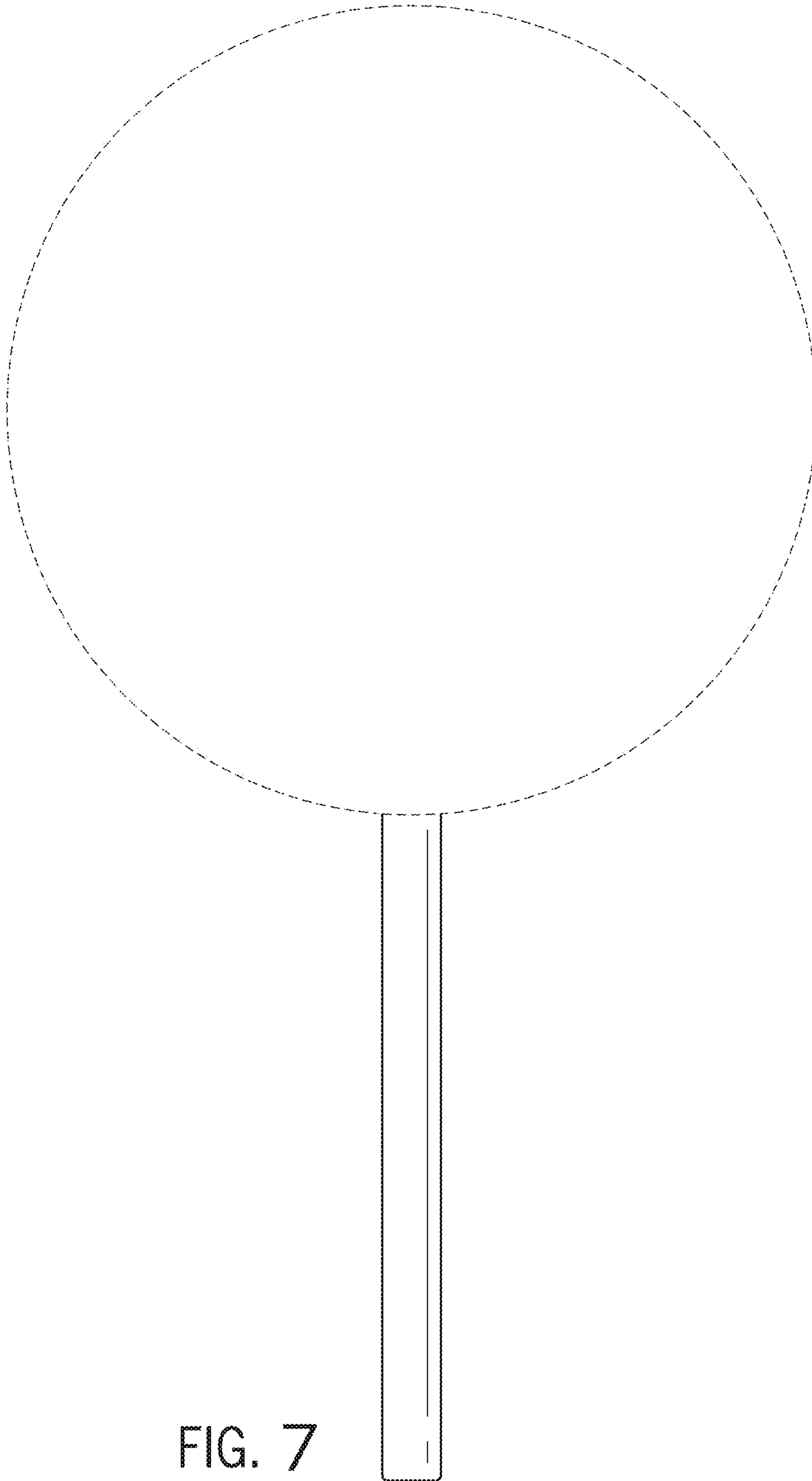


FIG. 7