



US00D901637S

(12) **United States Design Patent** (10) **Patent No.:** **US D901,637 S**
Soulier et al. (45) **Date of Patent:** **** Nov. 10, 2020**

(54) **SHOWER CONTROLLER**
(71) Applicant: **Kohler Co.**, Kohler, WI (US)
(72) Inventors: **Jean-Hugues Soulier**, Paris (FR);
Ferran Serra Sola, Paris (FR)
(73) Assignee: **KOHLER CO.**, Kohler, WI (US)
(**) Term: **15 Years**
(21) Appl. No.: **29/720,423**
(22) Filed: **Jan. 13, 2020**

D435,919 S 1/2001 Meda
D479,580 S 9/2003 Haug
D584,799 S 1/2009 Zetsche
D596,718 S 7/2009 Soulier
D617,877 S 6/2010 Bouroullec
D647,176 S 10/2011 Liao
D647,599 S 10/2011 Liao
D677,364 S 3/2013 Schoenherr
D677,365 S 3/2013 Schoenherr
D819,184 S 5/2018 Seum
D833,579 S 11/2018 Flowers
D867,545 S 11/2019 Chung

Primary Examiner — Robert A Delehanty
(74) *Attorney, Agent, or Firm* — Foley & Lardner LLP

Related U.S. Application Data

(62) Division of application No. 29/638,381, filed on Feb. 27, 2018, now Pat. No. Des. 877,299.
(51) **LOC (12) Cl.** **23-01**
(52) **U.S. Cl.**
USPC **D23/250**
(58) **Field of Classification Search**
USPC D23/238–241, 249–250, 252–254;
D8/307–308
CPC Y10T 137/9464; Y10T 137/6014; Y10T
137/6017
See application file for complete search history.

(57) **CLAIM**

We claim the ornamental design for a shower controller, as shown and described.

DESCRIPTION

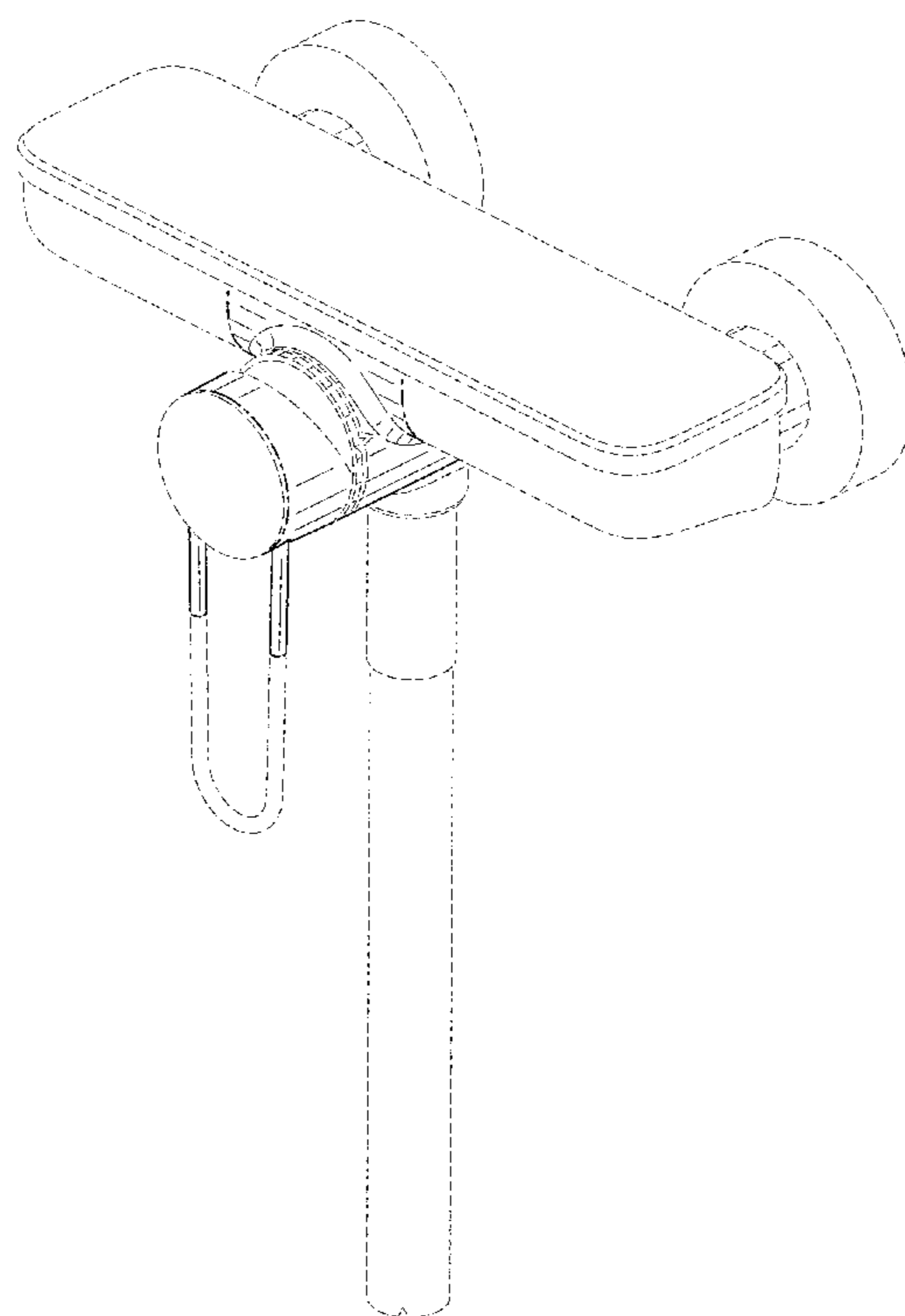
FIG. 1 is a perspective view of the embodiment of the claimed design;
FIG. 2 is a front view of the embodiment of FIG. 1;
FIG. 3 is a rear view of the embodiment of FIG. 1;
FIG. 4 is a side view of the embodiment of FIG. 1;
FIG. 5 is another side view of the embodiment of FIG. 1;
FIG. 6 is a top view of the embodiment of FIG. 1; and,
FIG. 7 is a bottom view of the embodiment of FIG. 1.
The ornamental design which is claimed is shown in solid lines in the drawings. The broken lines in the drawings are for illustrative purposes only and form no part of the claimed design. Broken lines formed of unequal length dashes (i.e., dash-dot) define bounds of the claimed design.

(56) **References Cited**

U.S. PATENT DOCUMENTS

D318,320 S 7/1991 Zerlia
D347,264 S 5/1994 Gottwald
D353,187 S 12/1994 Formgren
D353,651 S 12/1994 Formgren

1 Claim, 7 Drawing Sheets



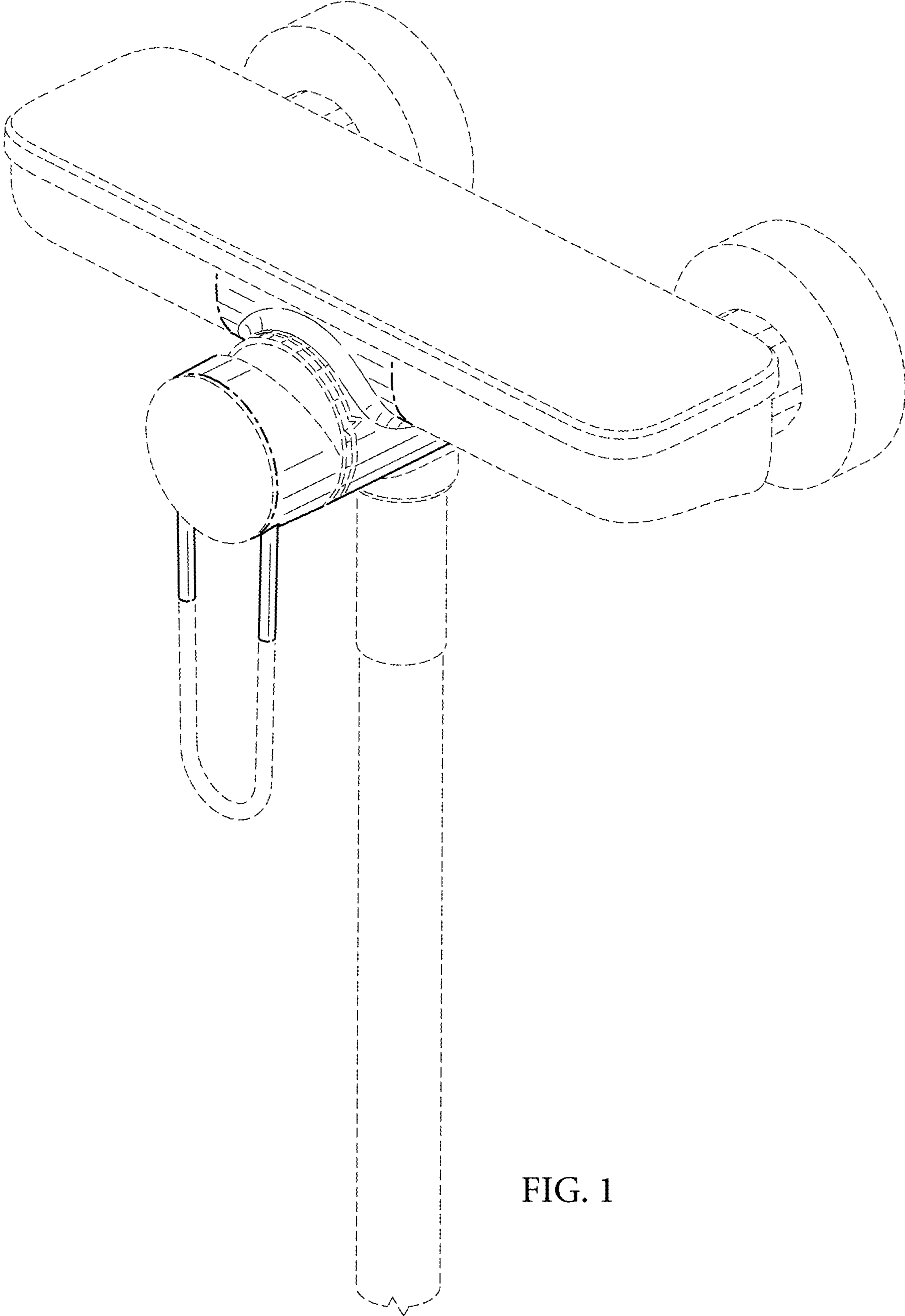


FIG. 1

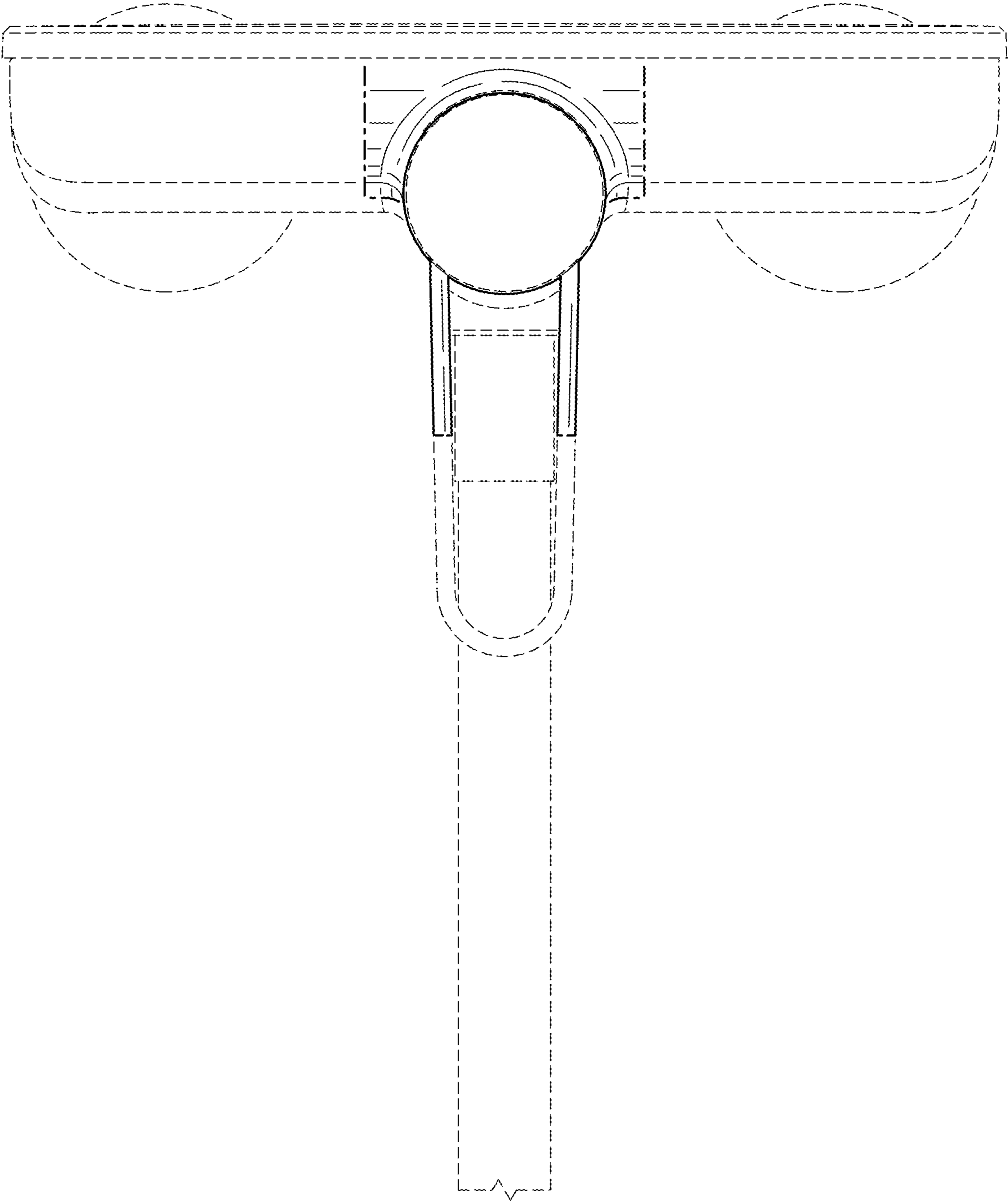


FIG. 2

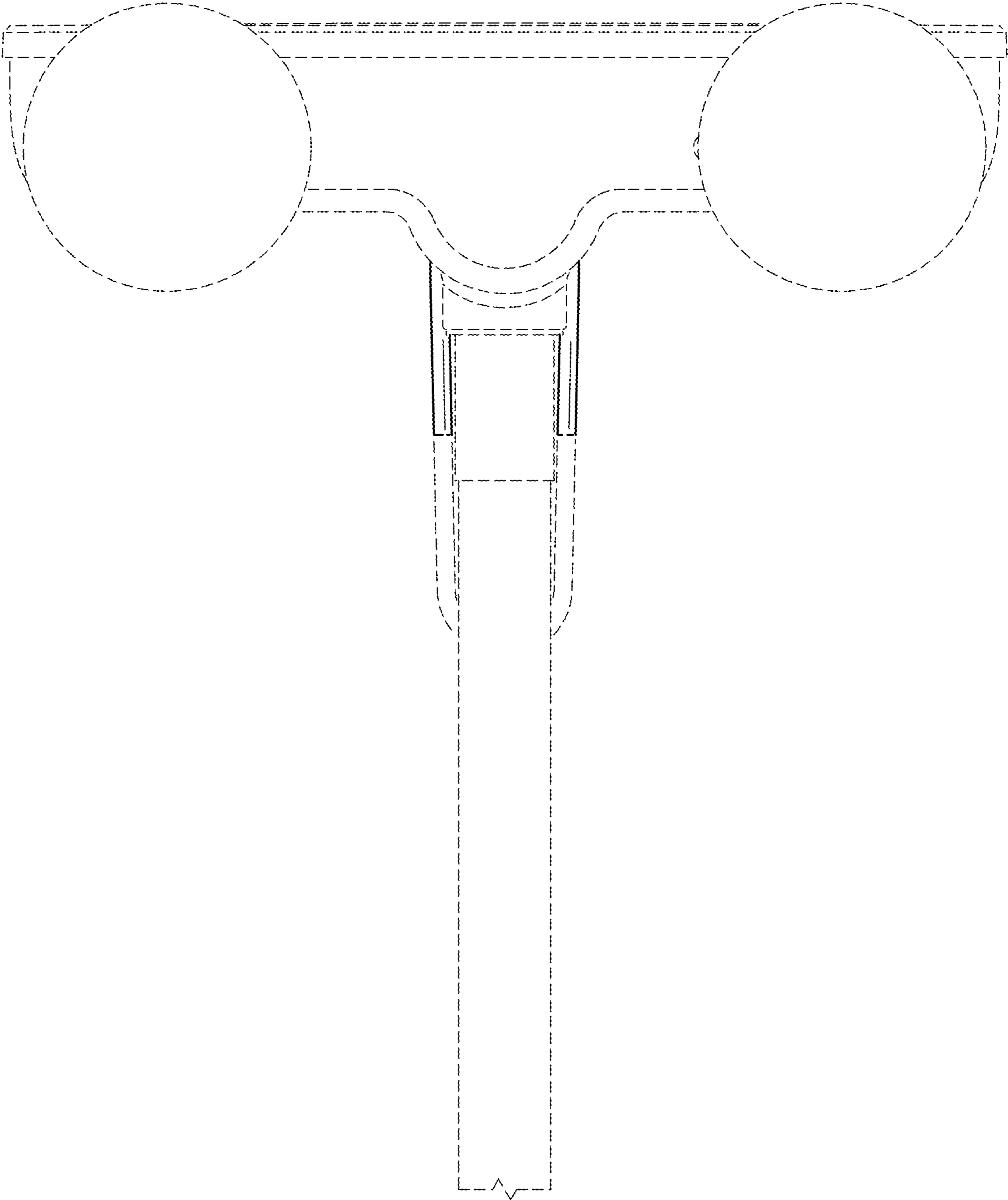


FIG. 3

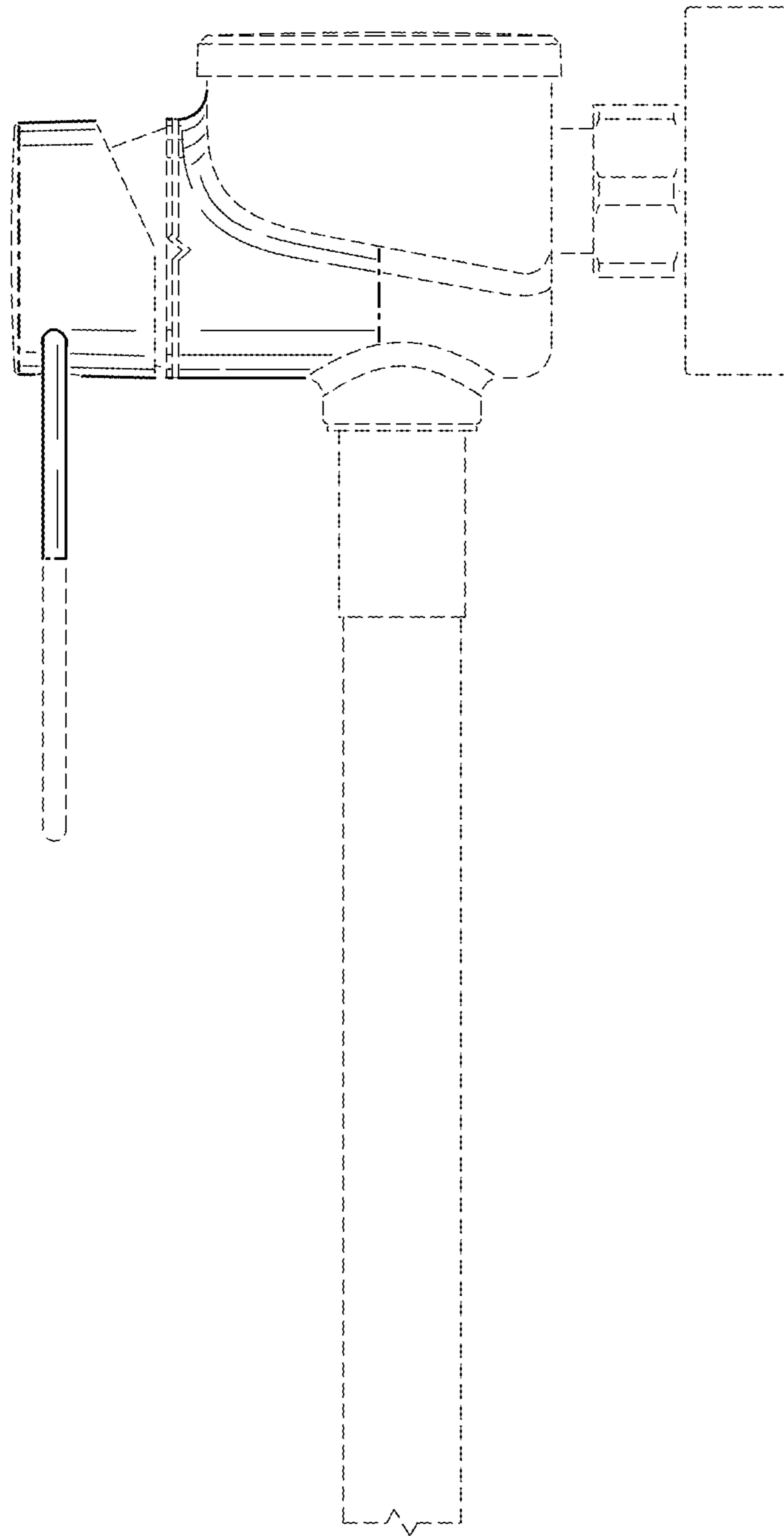


FIG. 4

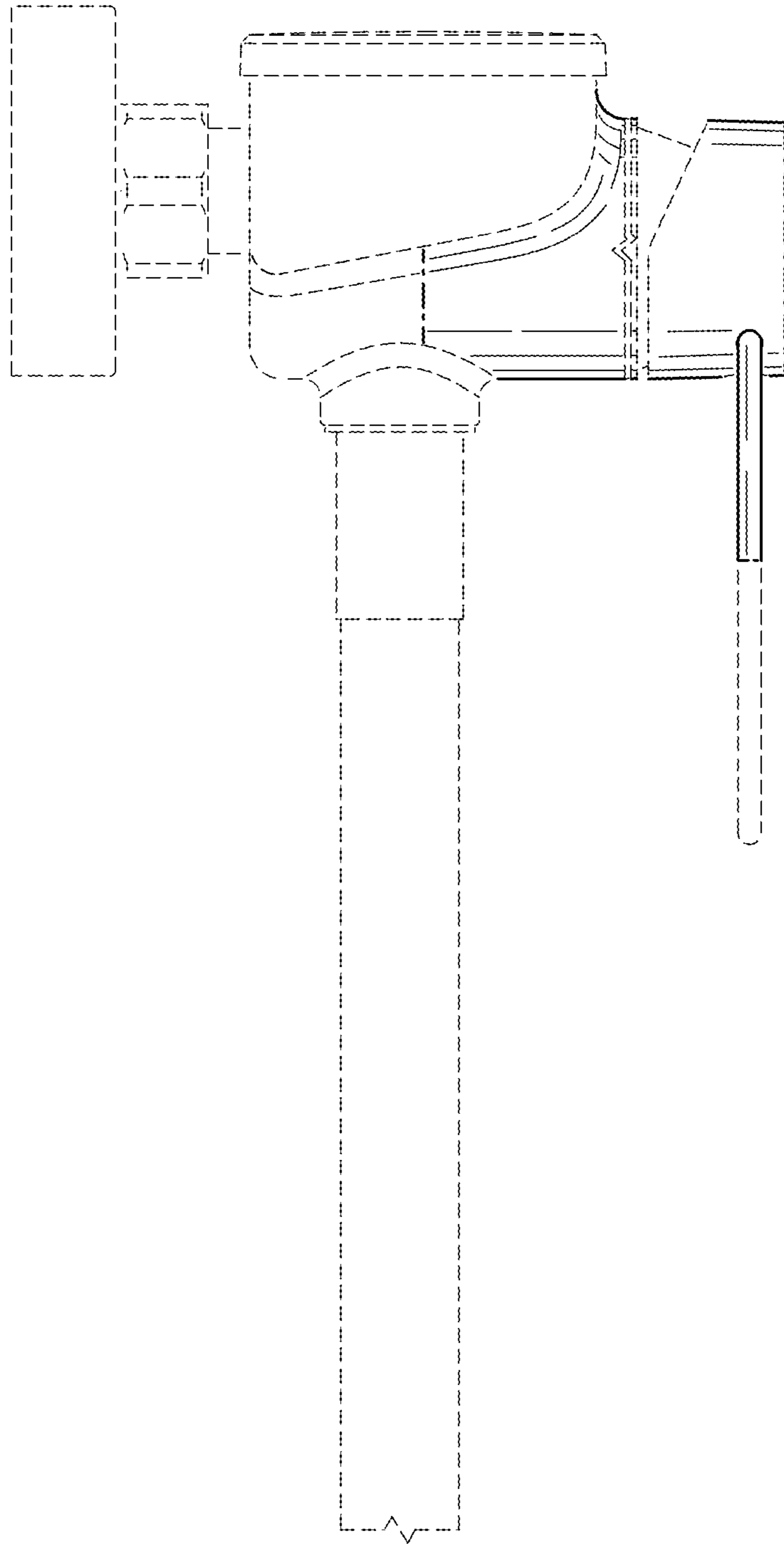


FIG. 5

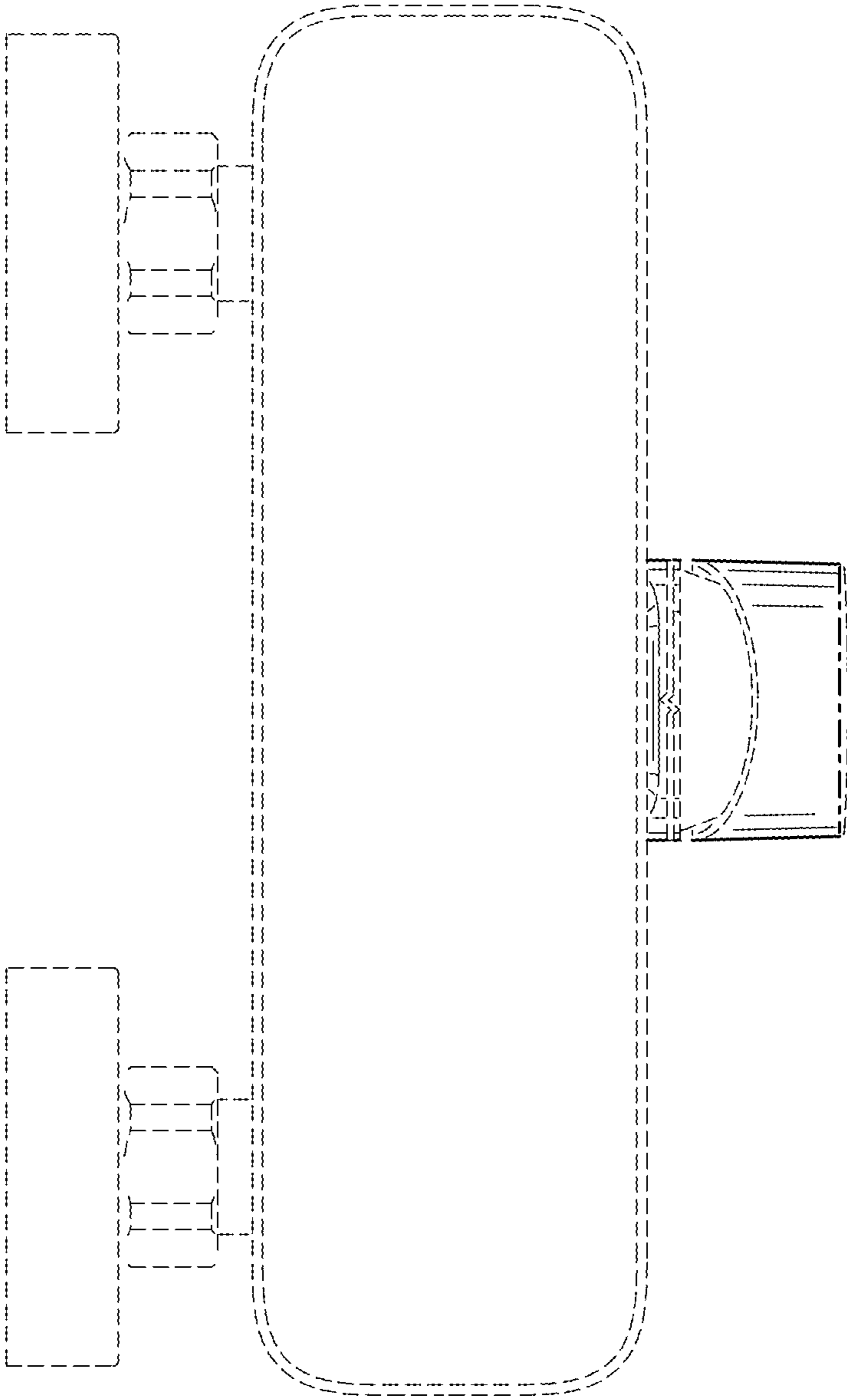


FIG. 6

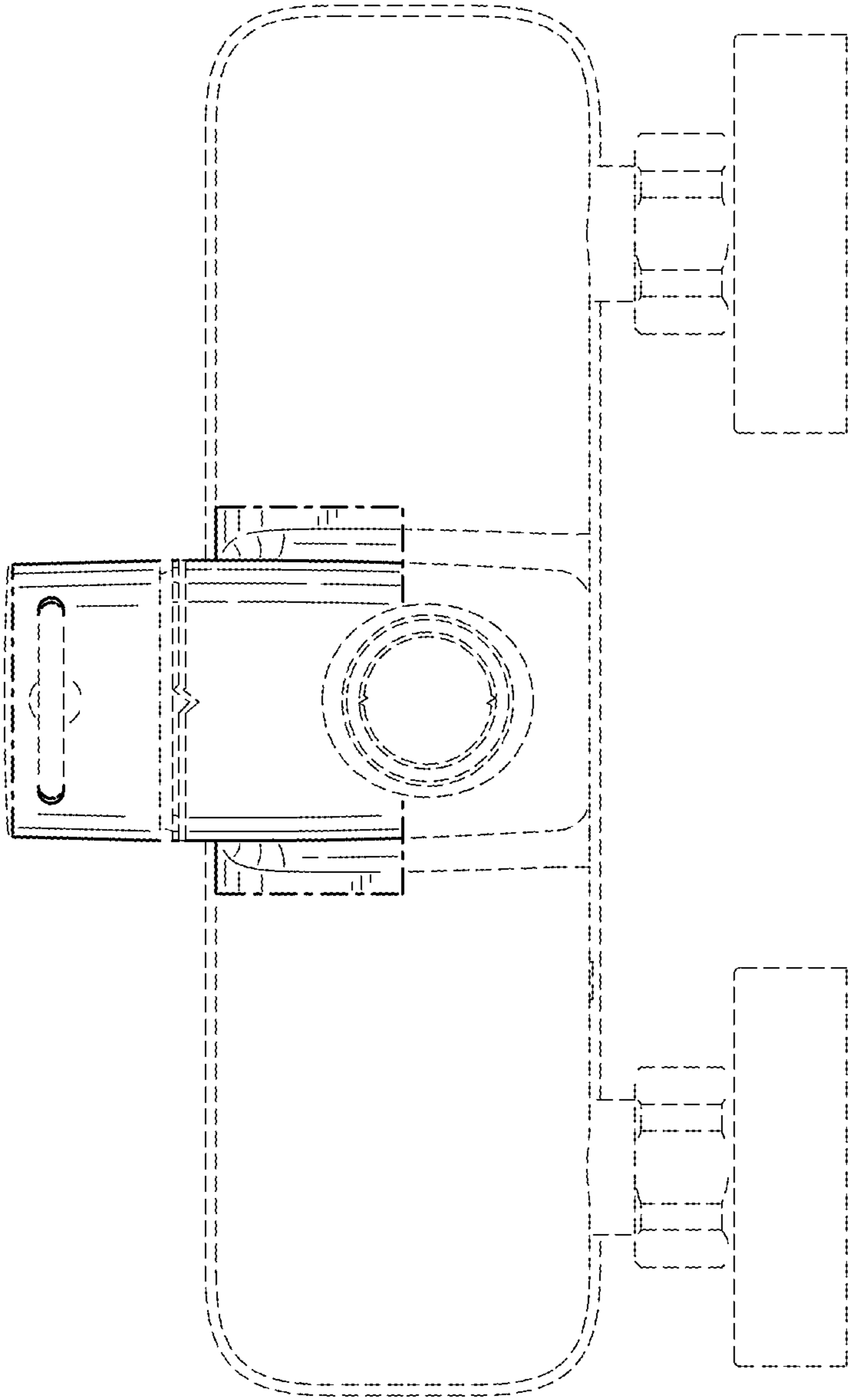


FIG. 7