



US00D901636S

(12) **United States Design Patent** (10) **Patent No.:** **US D901,636 S**
Scher (45) **Date of Patent:** **** Nov. 10, 2020**

(54) **VALVE CONTROLLER**

(71) Applicant: **BERMAD CS LTD.**, Kibbutz Evron (IL)

(72) Inventor: **Menachem Scher**, Moshav Habonim (IL)

(73) Assignee: **BERMAD CS LTD.**, Kibbutz Evron (IL)

(**) Term: **15 Years**

(21) Appl. No.: **29/646,126**

(22) Filed: **May 2, 2018**

(51) **LOC (12) Cl.** **23-01**

(52) **U.S. Cl.**
USPC **D23/249**

(58) **Field of Classification Search**
USPC D23/233–237, 241–249; 251/171, 174, 251/214, 315, 129.15; 137/556, 72, 312, 137/328, 625.47, 15.17, 315.03
CPC G05D 23/136; G05D 23/13; G05D 16/024; G05D 23/1353; F16K 31/0693; F16K 39/022; F16K 11/00
See application file for complete search history.

(56) **References Cited**

U.S. PATENT DOCUMENTS

D318,519 S * 7/1991 Kuivila D23/245
D558,859 S * 1/2008 Kato D23/233

D633,985 S * 3/2011 Spadotto D23/233
D777,298 S * 1/2017 Van Schijndel D23/248
D791,918 S * 7/2017 Anundi D23/237
10,208,870 B1 * 2/2019 Huang F16K 31/0668
D844,754 S * 4/2019 Leinonen D23/249

* cited by examiner

Primary Examiner — Gino Colan

(74) *Attorney, Agent, or Firm* — Mark M. Friedman

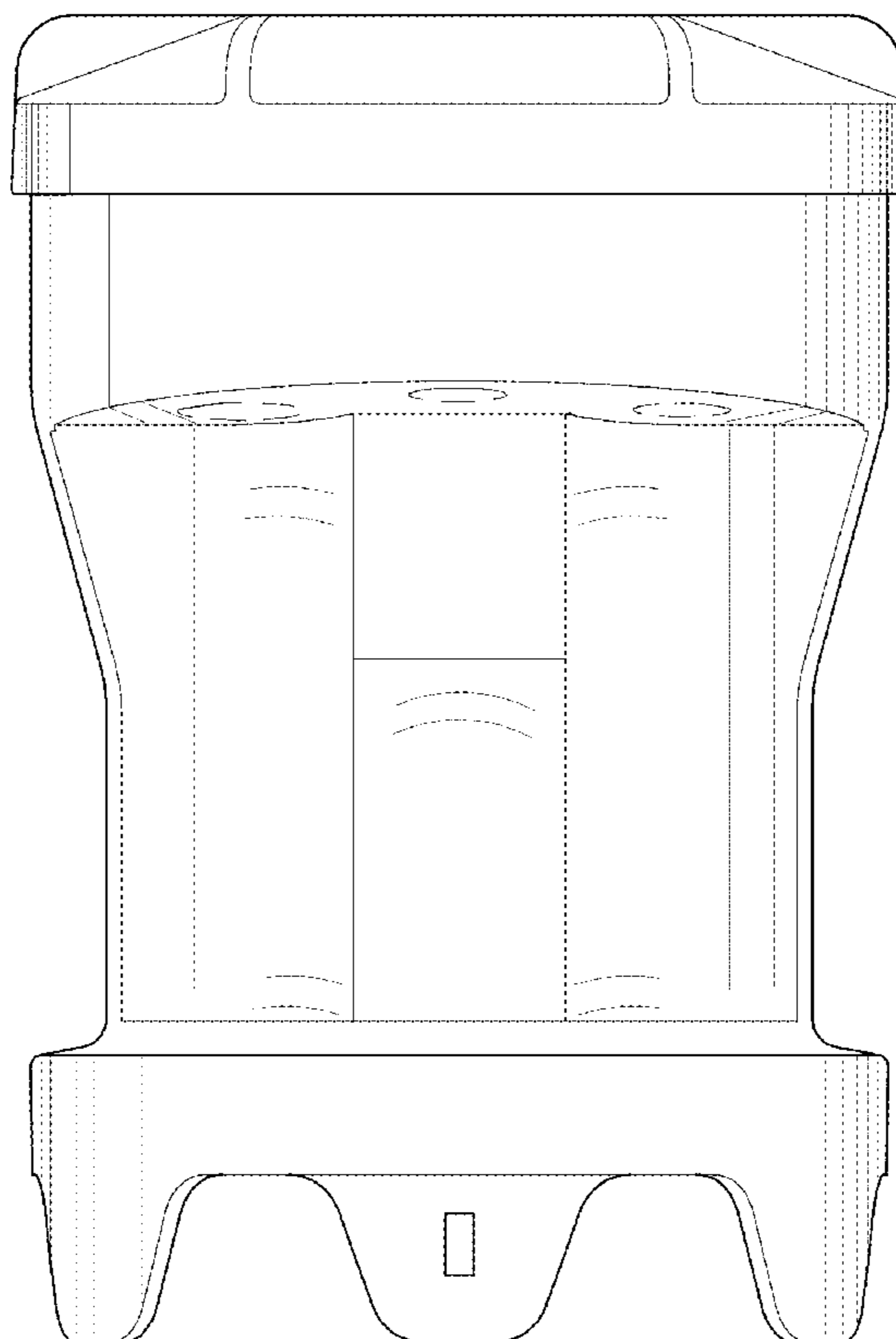
(57) **CLAIM**

The ornamental design for a valve controller, as shown and described.

DESCRIPTION

FIG. 1 is a front view of a valve controller showing my design;
FIG. 2 is a rear view thereof;
FIG. 3 is a left side view thereof;
FIG. 4 is a right side view thereof;
FIG. 5 is a top view thereof;
FIG. 6 is a bottom view thereof;
FIG. 7 is a perspective view thereof; and,
FIG. 8 is a rear top perspective view thereof.
The broken lines shown in the figures illustrate portions of the valve controller that form no part of the claimed design.

1 Claim, 8 Drawing Sheets



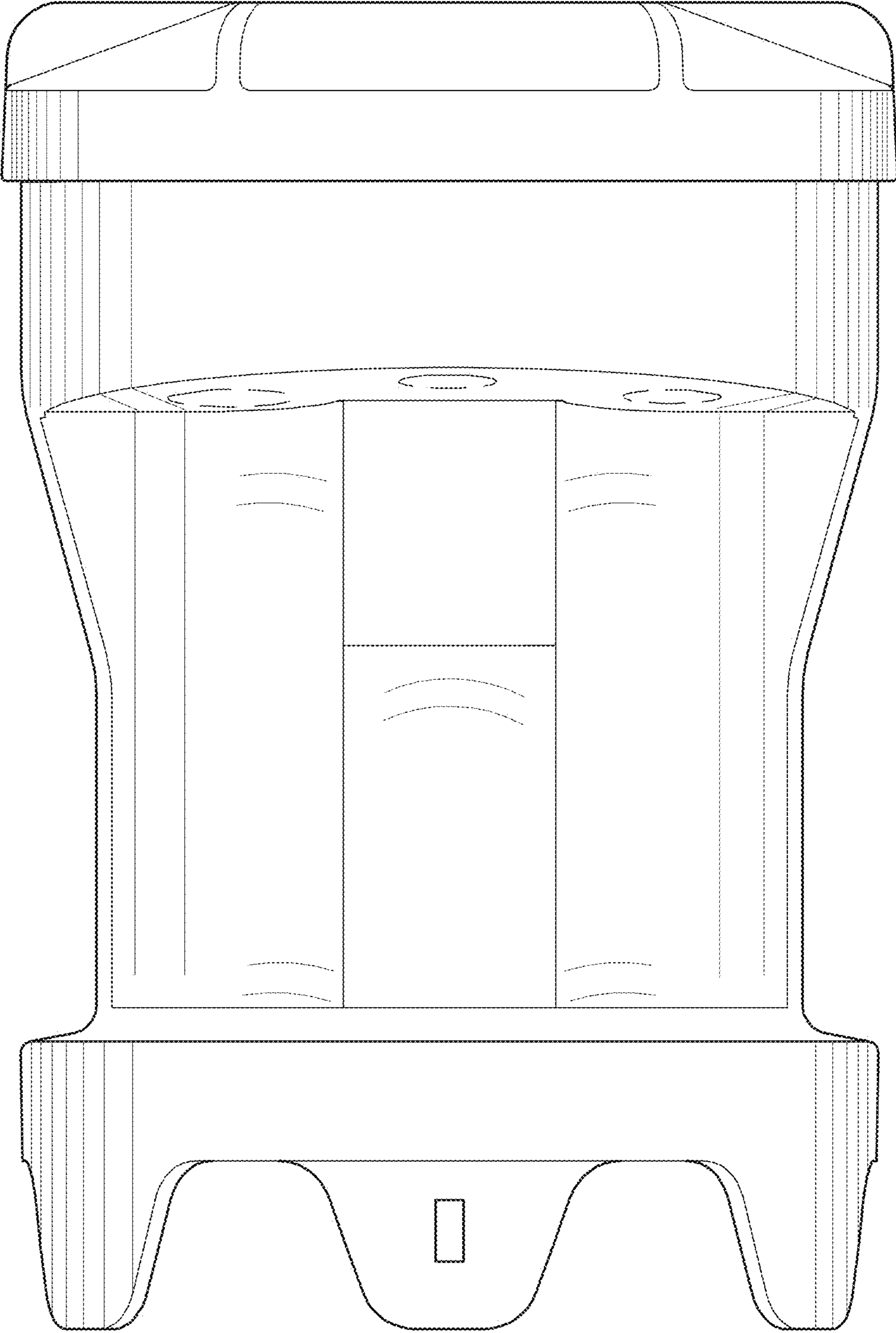


FIG 1

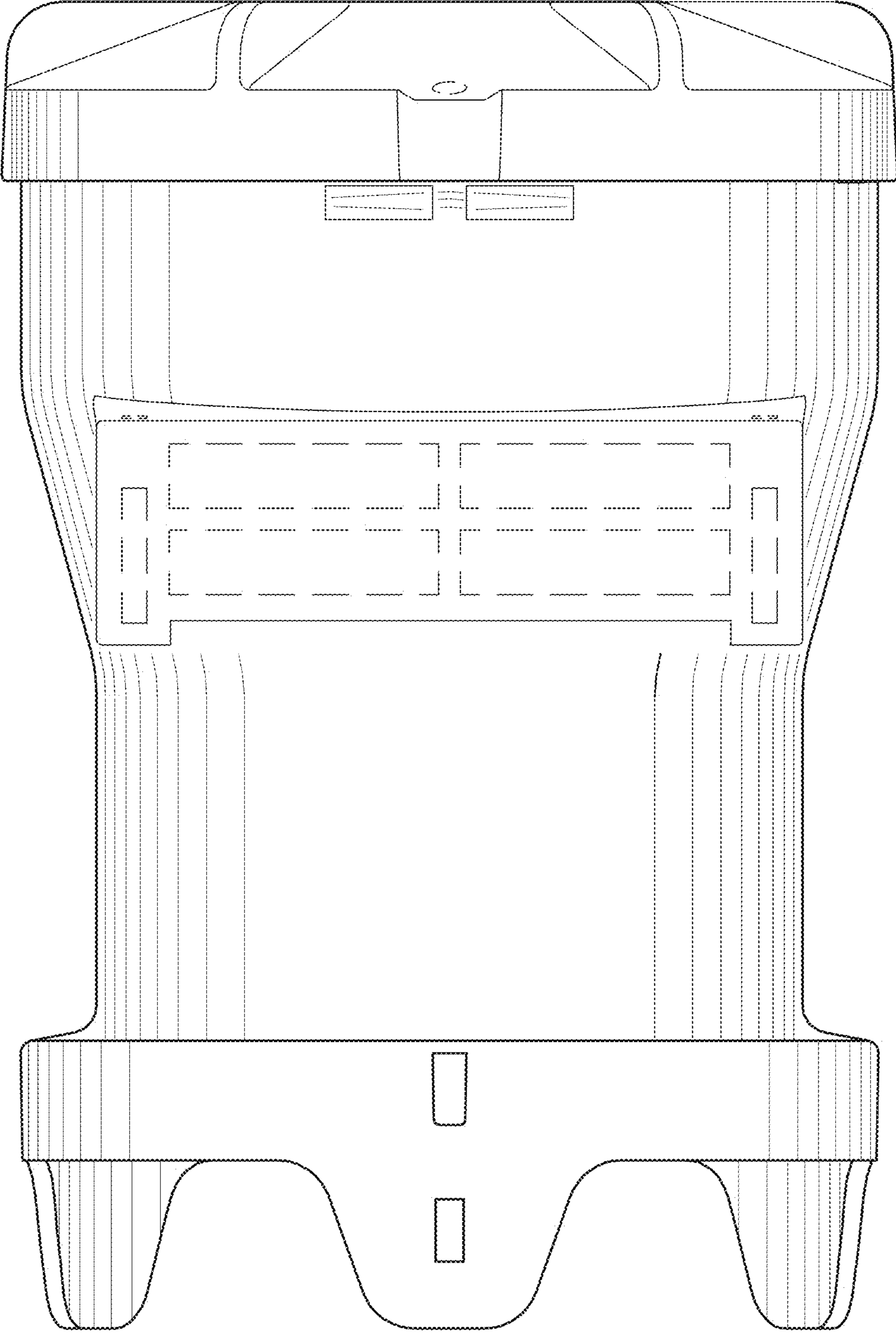


FIG 2

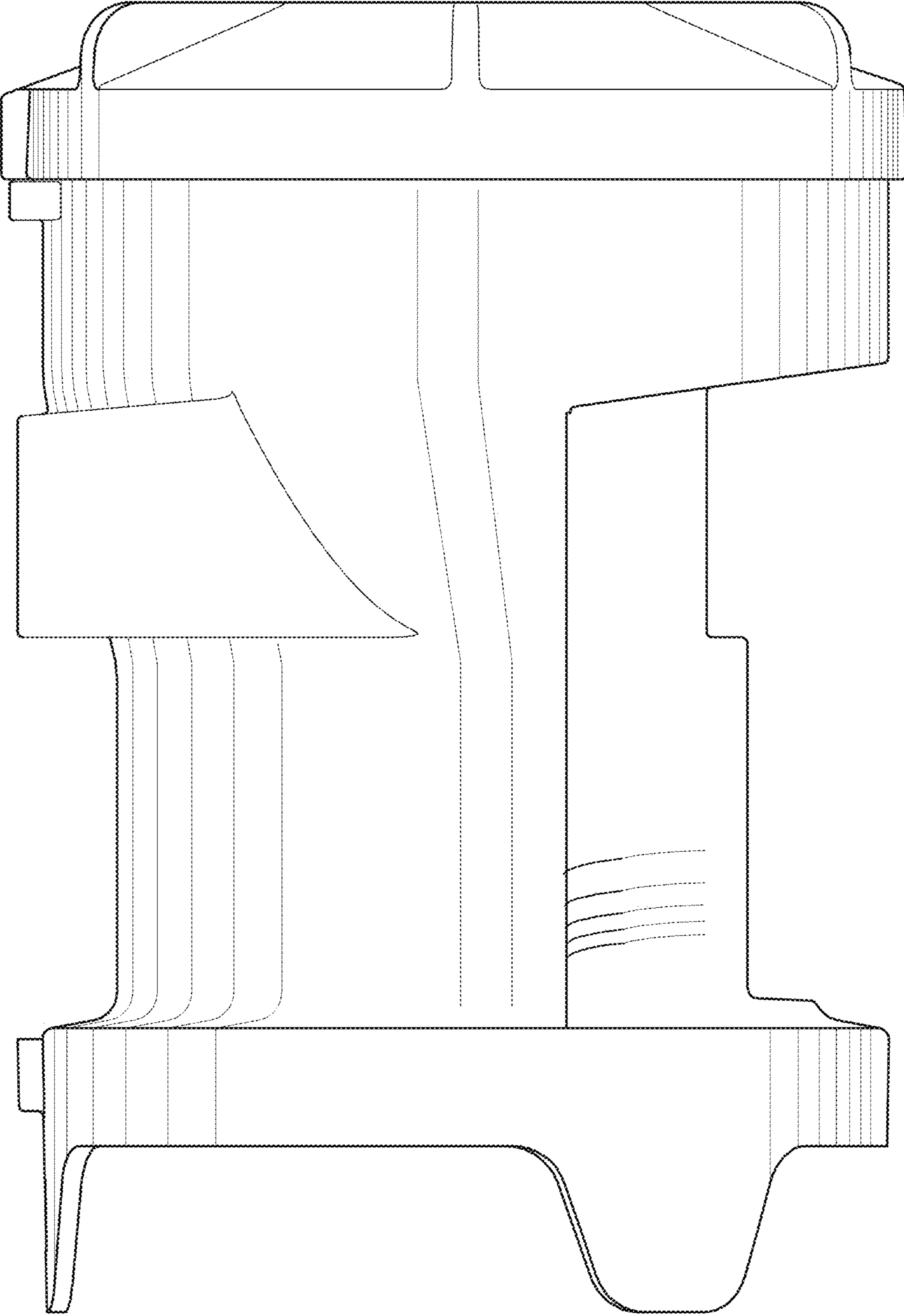


FIG 3

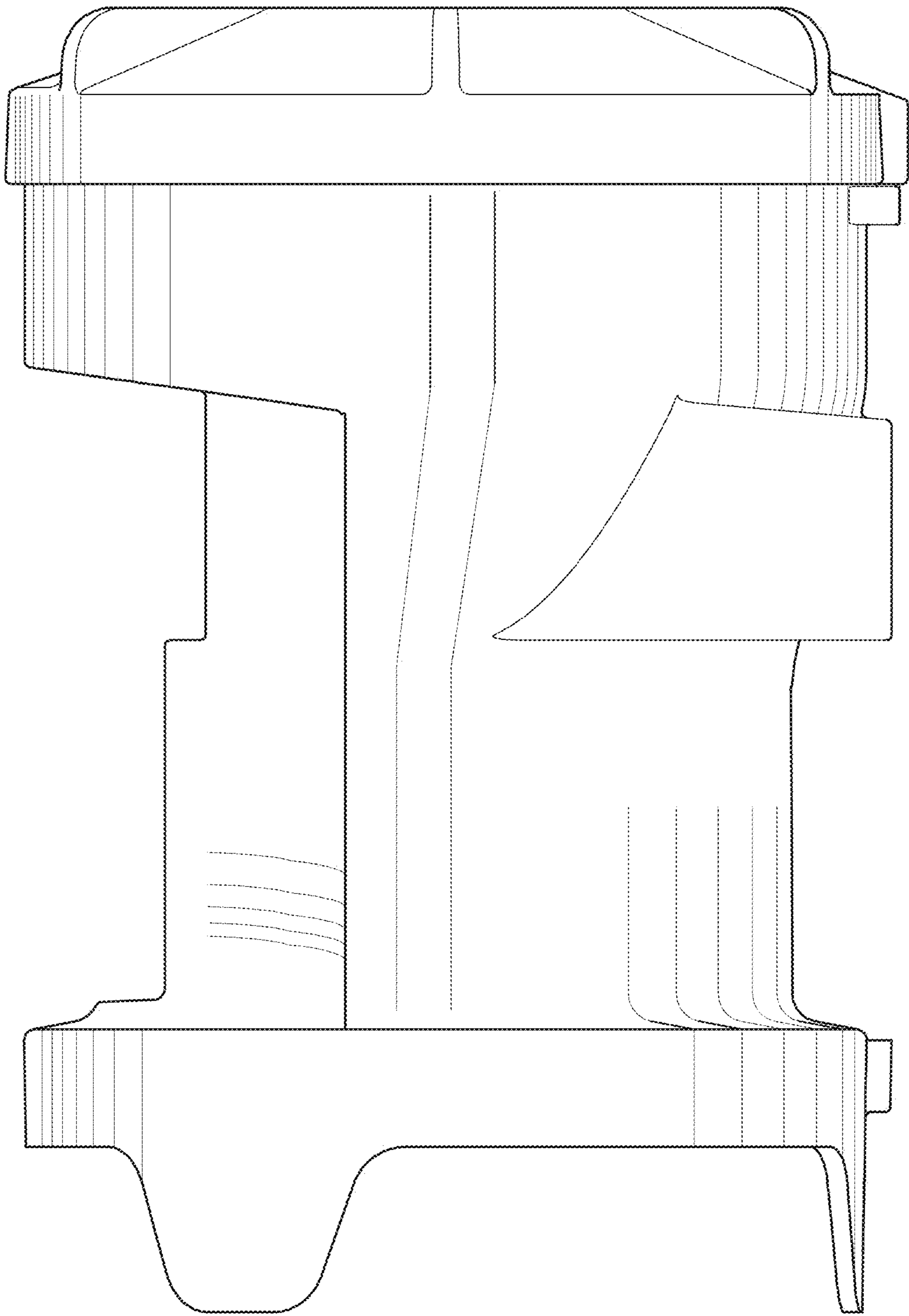


FIG 4

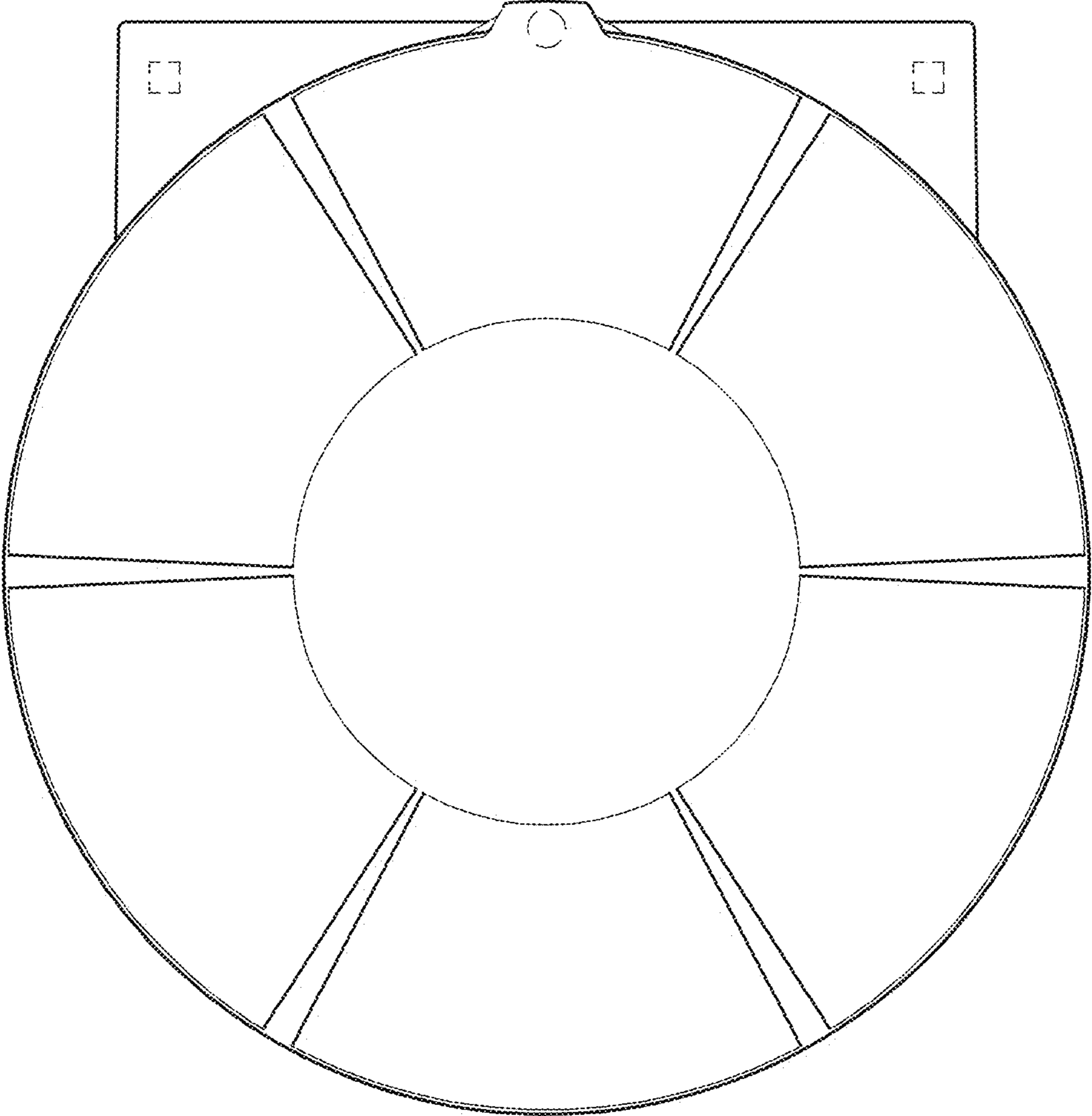


FIG 5

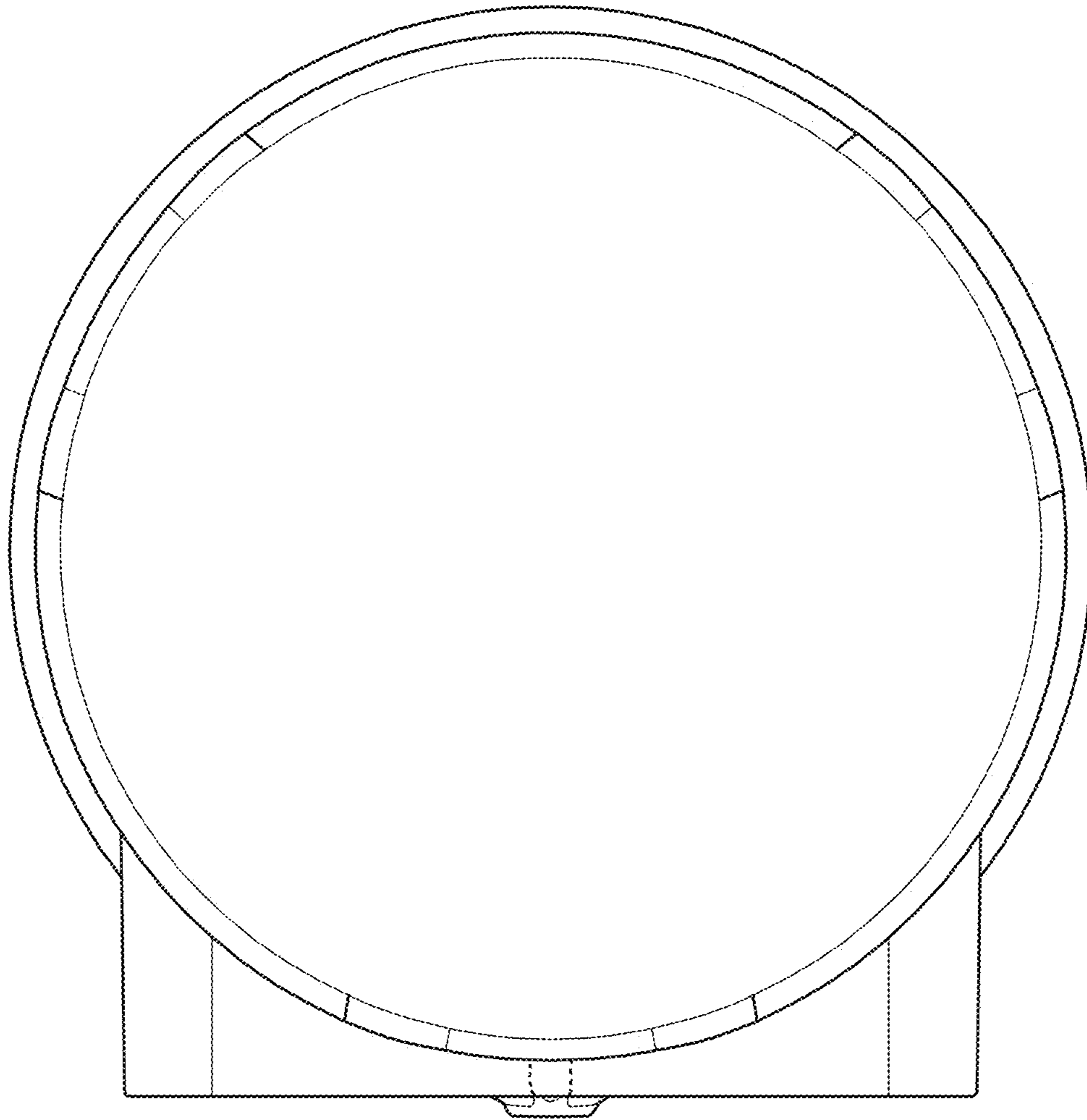


FIG 6

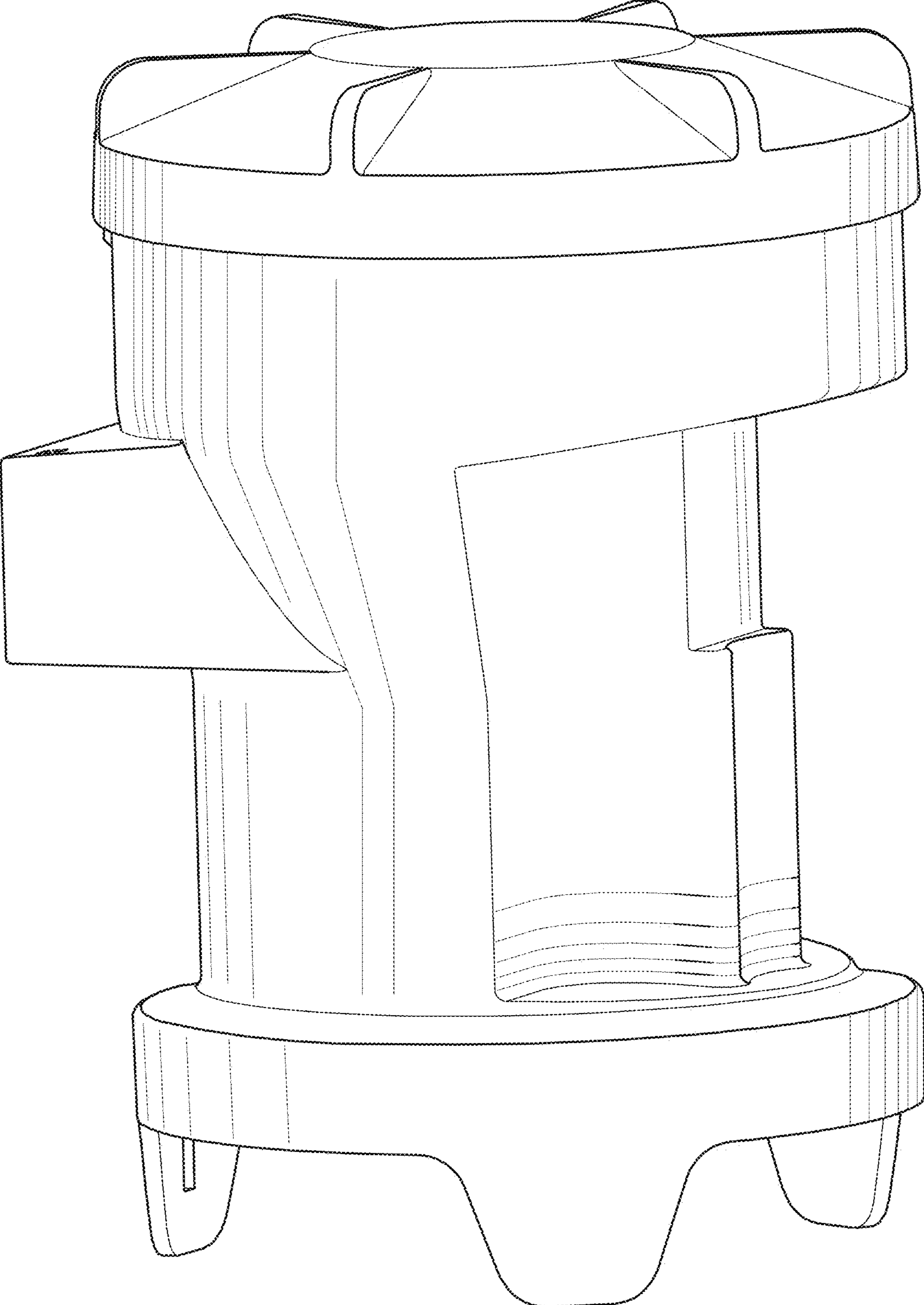


FIG 7

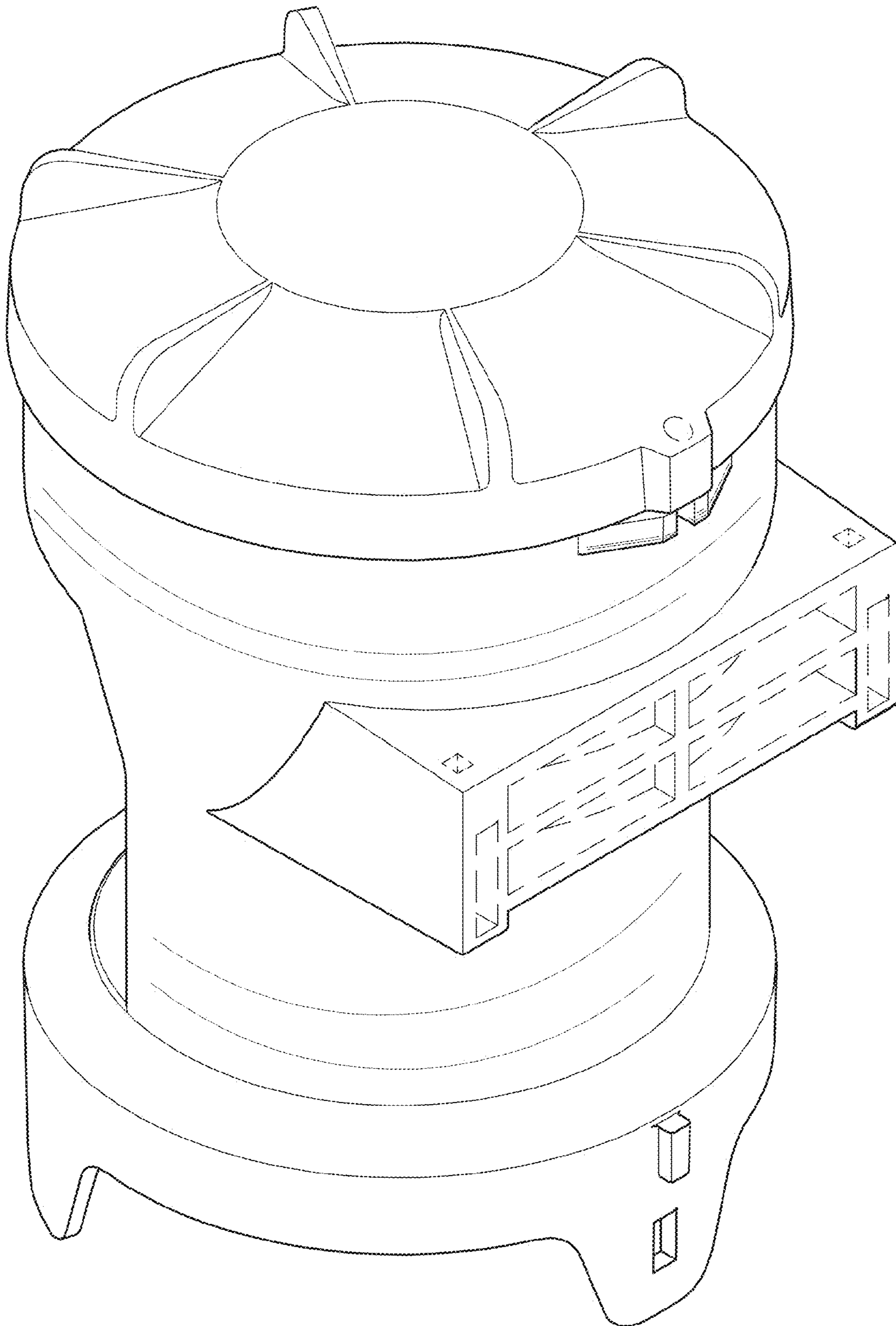


FIG 8