



US00D901635S

(12) **United States Design Patent**
Chen

(10) **Patent No.:** **US D901,635 S**

(45) **Date of Patent:** **** Nov. 10, 2020**

(54) **HANDHELD SPRAY GUN**

(71) Applicant: **SHIN TAI SPURT WATER OF THE GARDEN TOOLS CO., LTD.,**
Chang-Hua Hsien (CN)

(72) Inventor: **Chin-Yuan Chen,** Chang-Hua Hsien
(TW)

(73) Assignee: **SHIN TAI SPURT WATER OF THE GARDEN TOOLS CO., LTD.,**
Chang-Hua Hsien (TW)

D542,381 S *	5/2007	Jou	D23/226
D553,223 S *	10/2007	Yu	D23/226
D578,603 S *	10/2008	Khaitov	D23/213
D629,067 S *	12/2010	Carpanese	D23/226
D636,848 S *	4/2011	Fontaine	D23/226
D745,636 S *	12/2015	Lin	D23/226
D746,945 S *	1/2016	Naslund	D23/223
D746,947 S *	1/2016	Naslund	D23/223
D770,594 S *	11/2016	Dammkoehler	D23/226
D782,005 S *	3/2017	Naslund	D23/223
D824,490 S *	7/2018	Montoya	D23/223
D824,491 S *	7/2018	Montoya	D23/223
D824,492 S *	7/2018	Chen	D23/223

(Continued)

(**) Term: **15 Years**

(21) Appl. No.: **29/693,126**

(22) Filed: **May 31, 2019**

(51) **LOC (12) Cl.** **23-01**

(52) **U.S. Cl.**
USPC **D23/226**

(58) **Field of Classification Search**
USPC D23/213, 214, 215, 223, 224, 226, 229,
D23/230

CPC A61H 9/0021; A61H 33/00; B05B 1/00;
B05B 1/14; B05B 1/185; B05B 1/08;
B05B 1/02; B05B 1/26; B05B 12/002;
B05B 1/18; B05B 9/01

See application file for complete search history.

(56) **References Cited**

U.S. PATENT DOCUMENTS

D410,995 S *	6/1999	Hsin-Fa	D23/226
D411,607 S *	6/1999	Wang	D23/226
D415,251 S *	10/1999	Kuo	D23/226
D415,253 S *	10/1999	Kuo	D23/226
D421,483 S *	3/2000	Patrick	D23/226
D422,056 S *	3/2000	Patrick	D23/226
D451,582 S *	12/2001	Kuo	D23/226
D457,221 S *	5/2002	Alkalay	D23/226
D501,914 S *	2/2005	Chen	D23/223
D512,122 S *	11/2005	Yorns	D23/223

OTHER PUBLICATIONS

https://www.amazon.com/Solterra-56380-Adjustable-Garden-Trigger/dp/B07RH23RZV/ref=pd_rhf_dp_p_img_1?_encoding=UTF8&refRID=C2099JRQWFTX0GYAKPDP&th=1 (Year: 2020).*

Primary Examiner — Manpreet S Matharu

Assistant Examiner — Keith J Wilson

(57) **CLAIM**

The ornamental design for a handheld spray gun, as shown and described.

DESCRIPTION

FIG. 1 is a perspective view of a handheld spray gun showing my new design;

FIG. 2 is a front elevational view thereof;

FIG. 3 is a rear elevational view thereof;

FIG. 4 is a left side elevational view thereof;

FIG. 5 is a right side elevational view thereof;

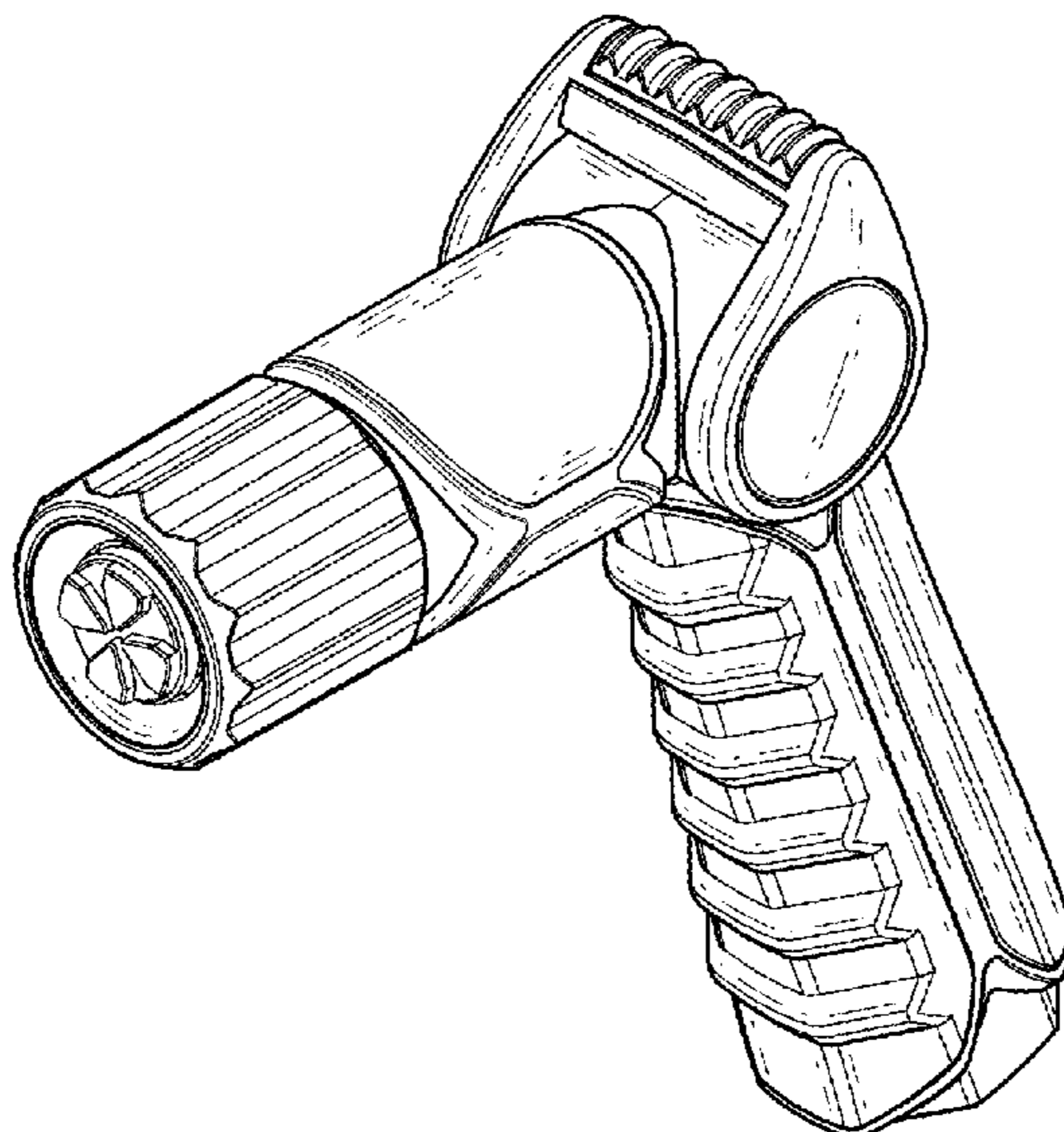
FIG. 6 is a top plan view thereof;

FIG. 7 is a bottom plan view thereof; and,

FIG. 8 is another perspective schematic view of a handheld spray gun showing my design.

The broken lines shown represent portions of a handheld spray gun and form no part of the claimed design.

1 Claim, 6 Drawing Sheets



(56)

References Cited

U.S. PATENT DOCUMENTS

10,213,800 B2 * 2/2019 Chen B05B 12/002
2015/0343467 A1 * 12/2015 Chen B05B 9/01
239/526

* cited by examiner

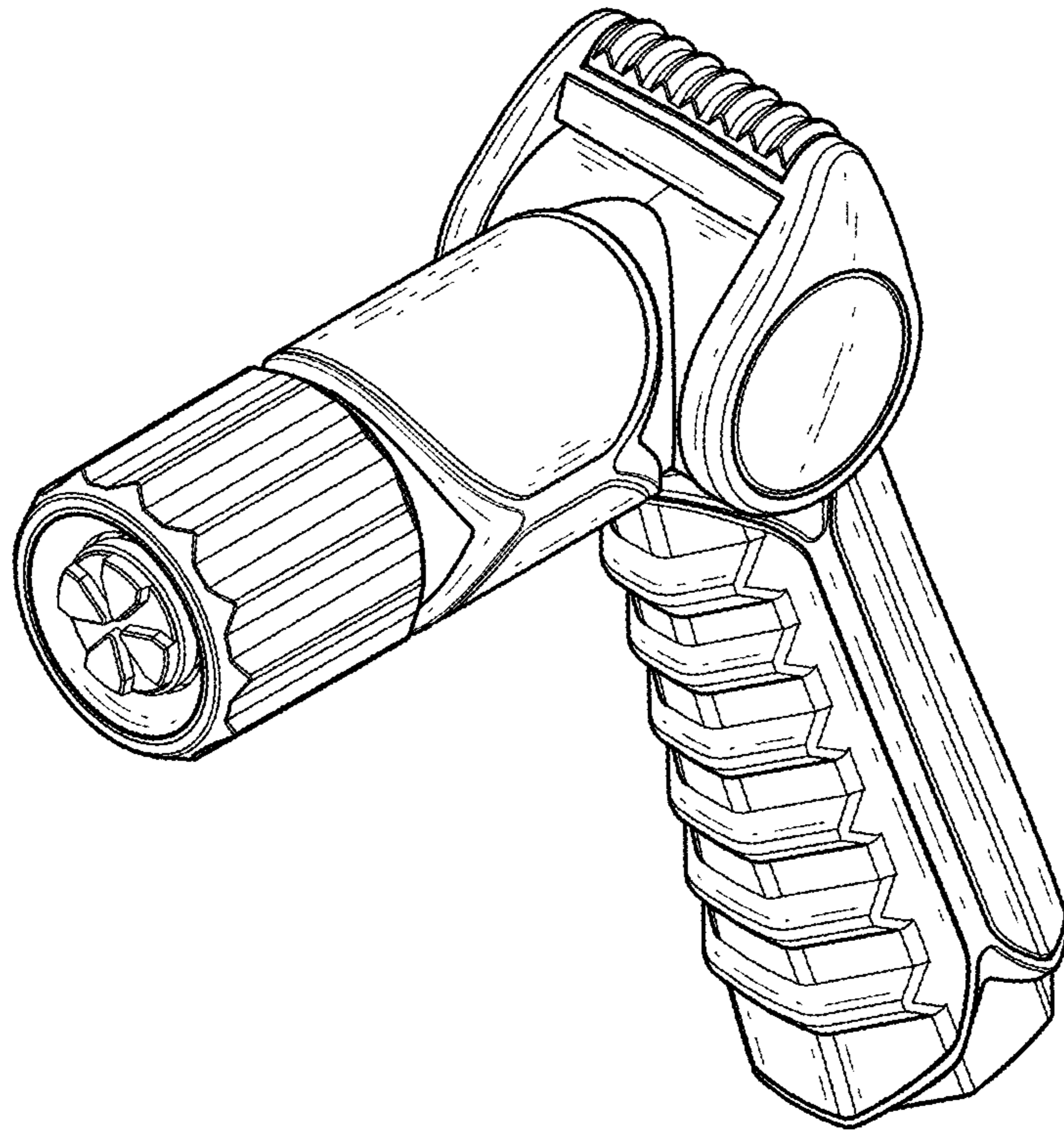


FIG.1

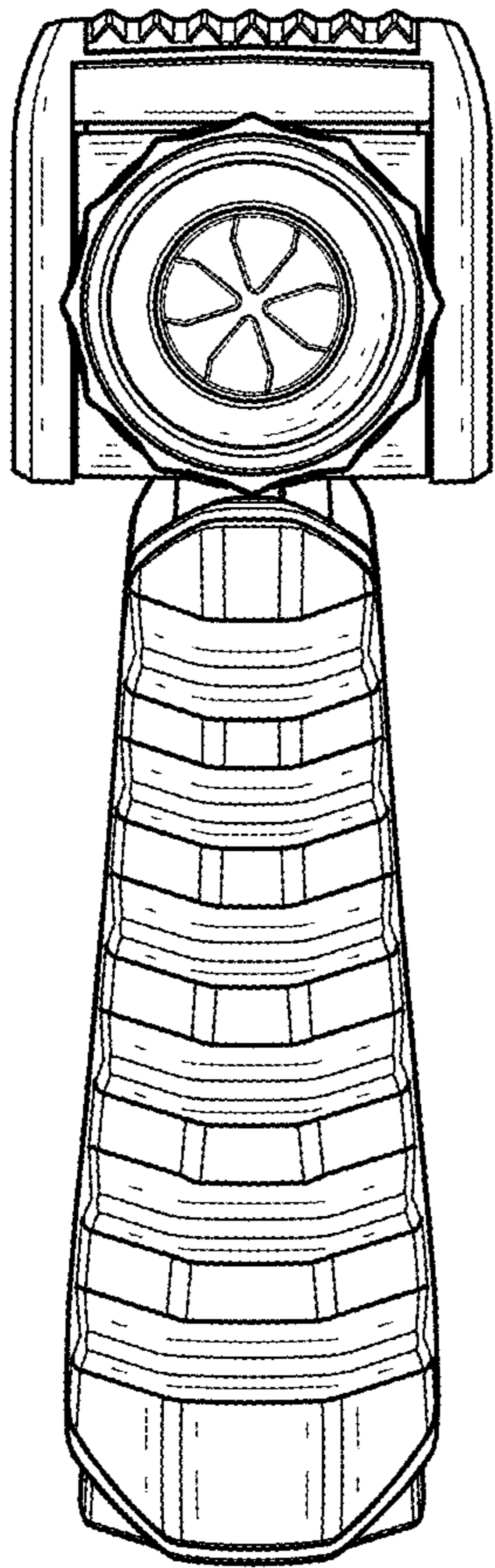


FIG. 2

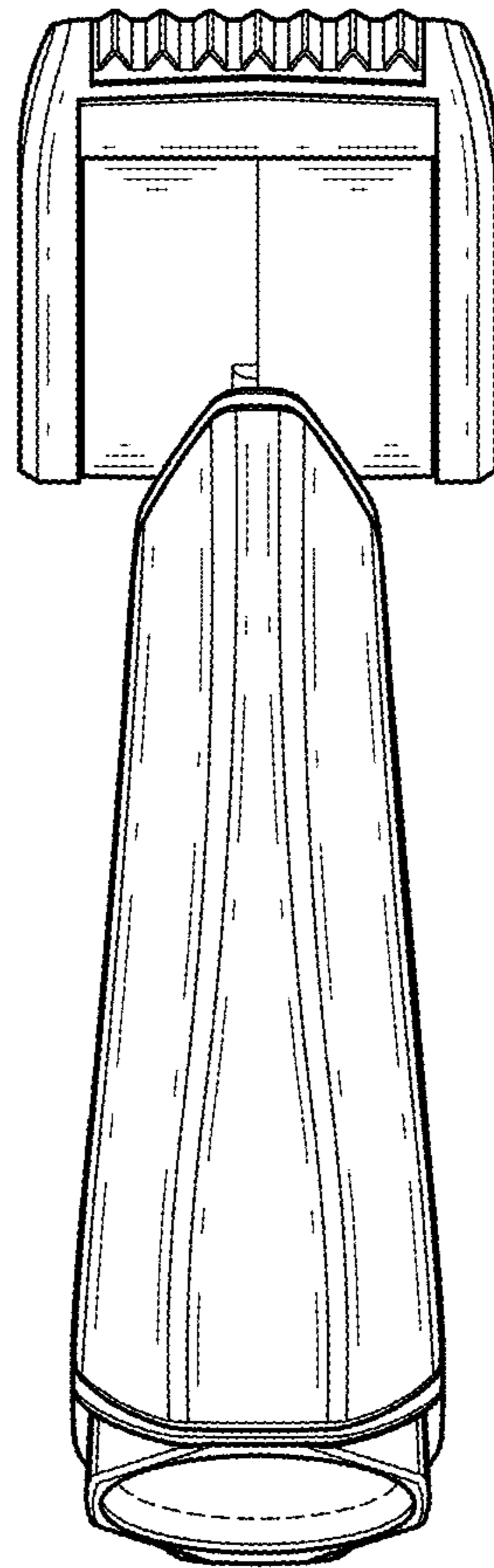


FIG. 3

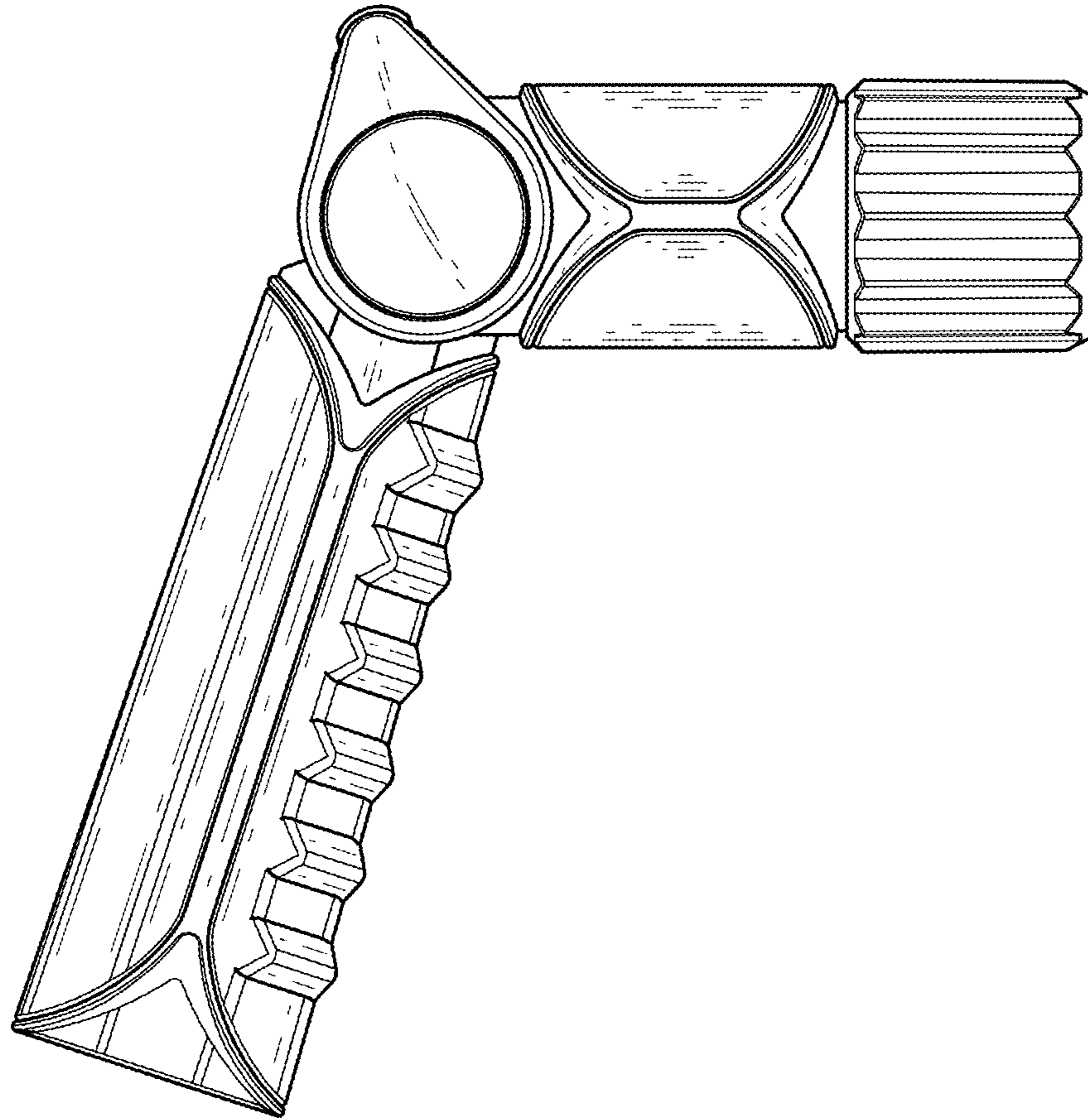


FIG.4

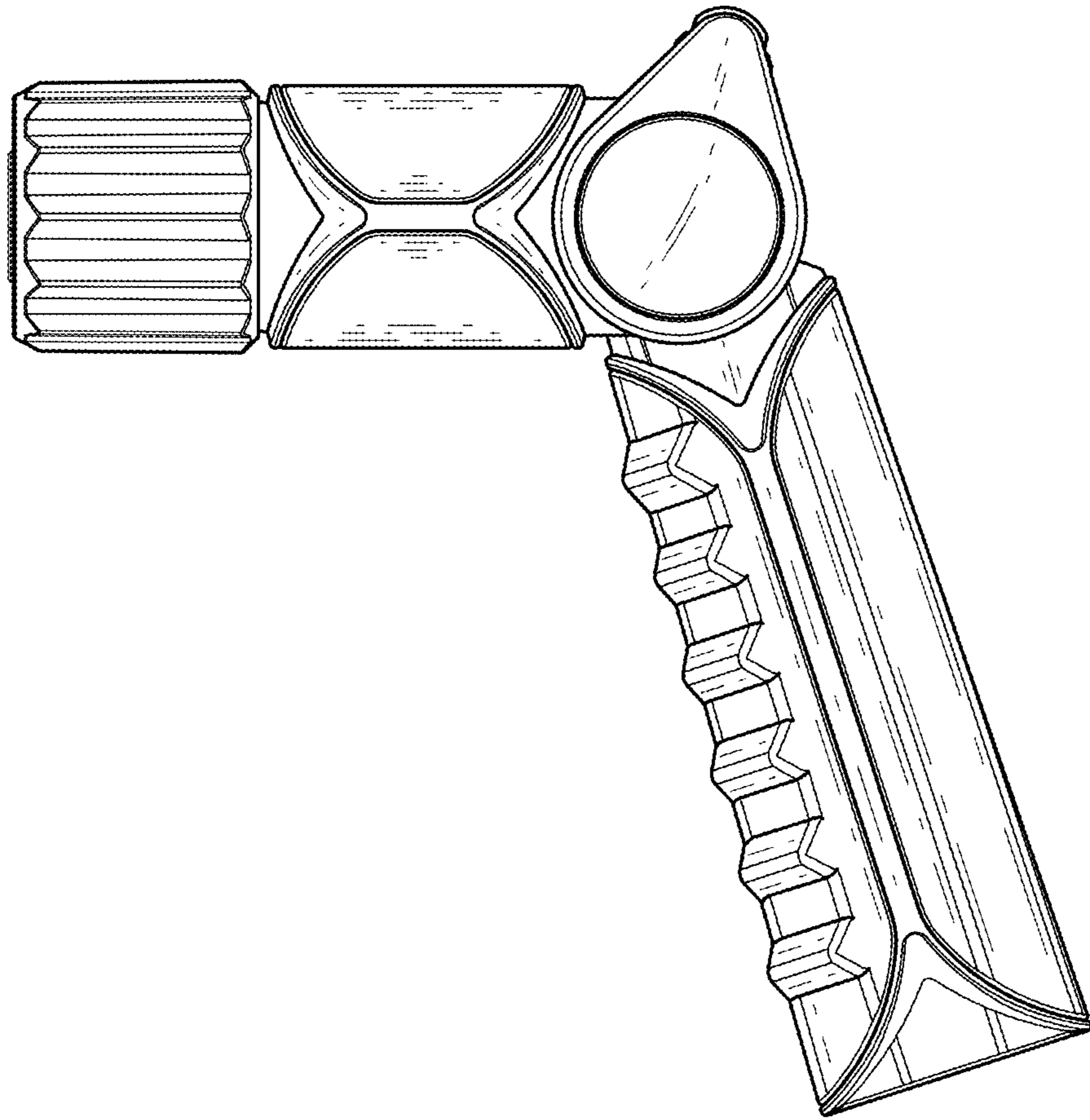


FIG.5

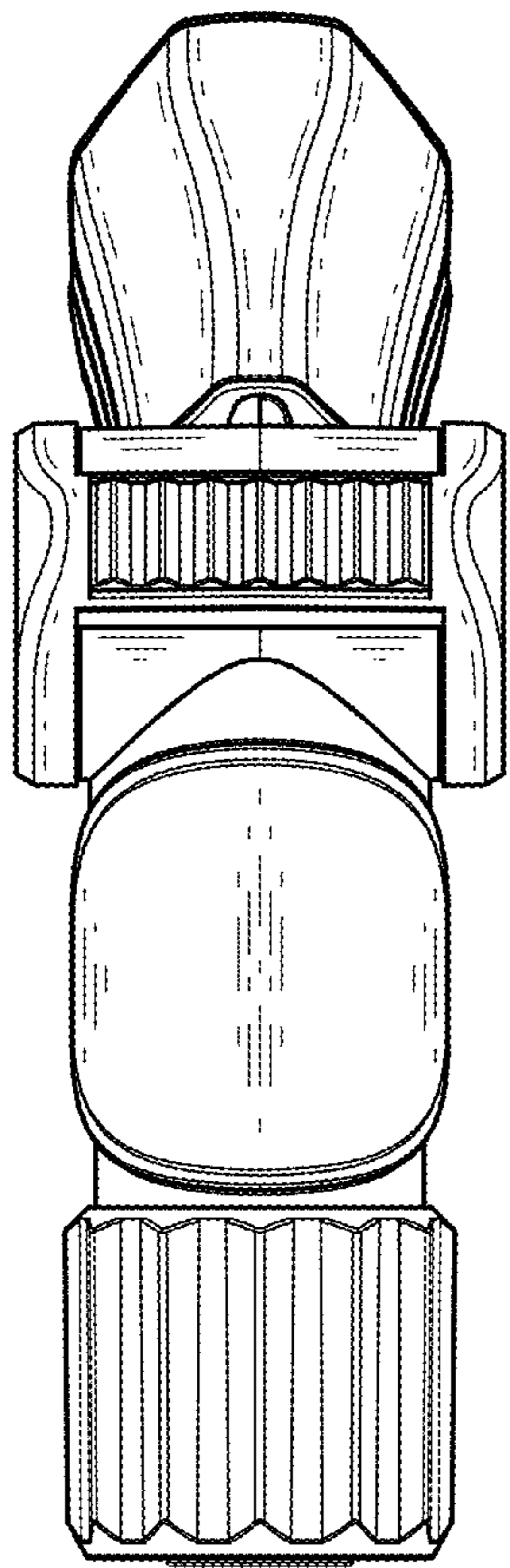


FIG. 6

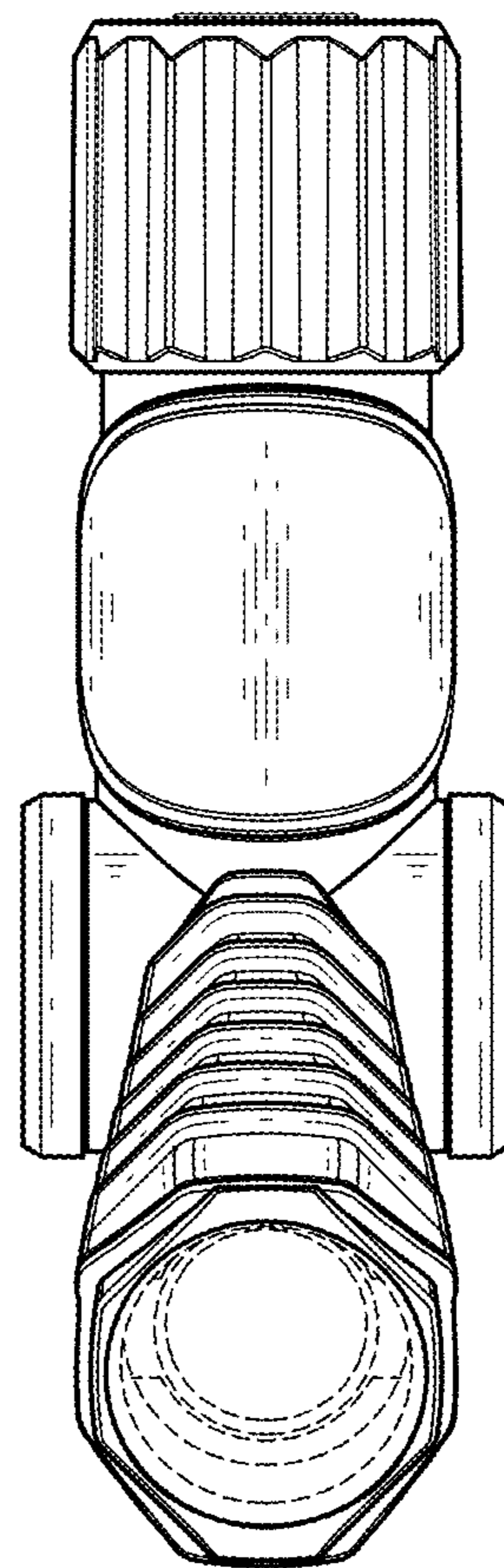


FIG. 7

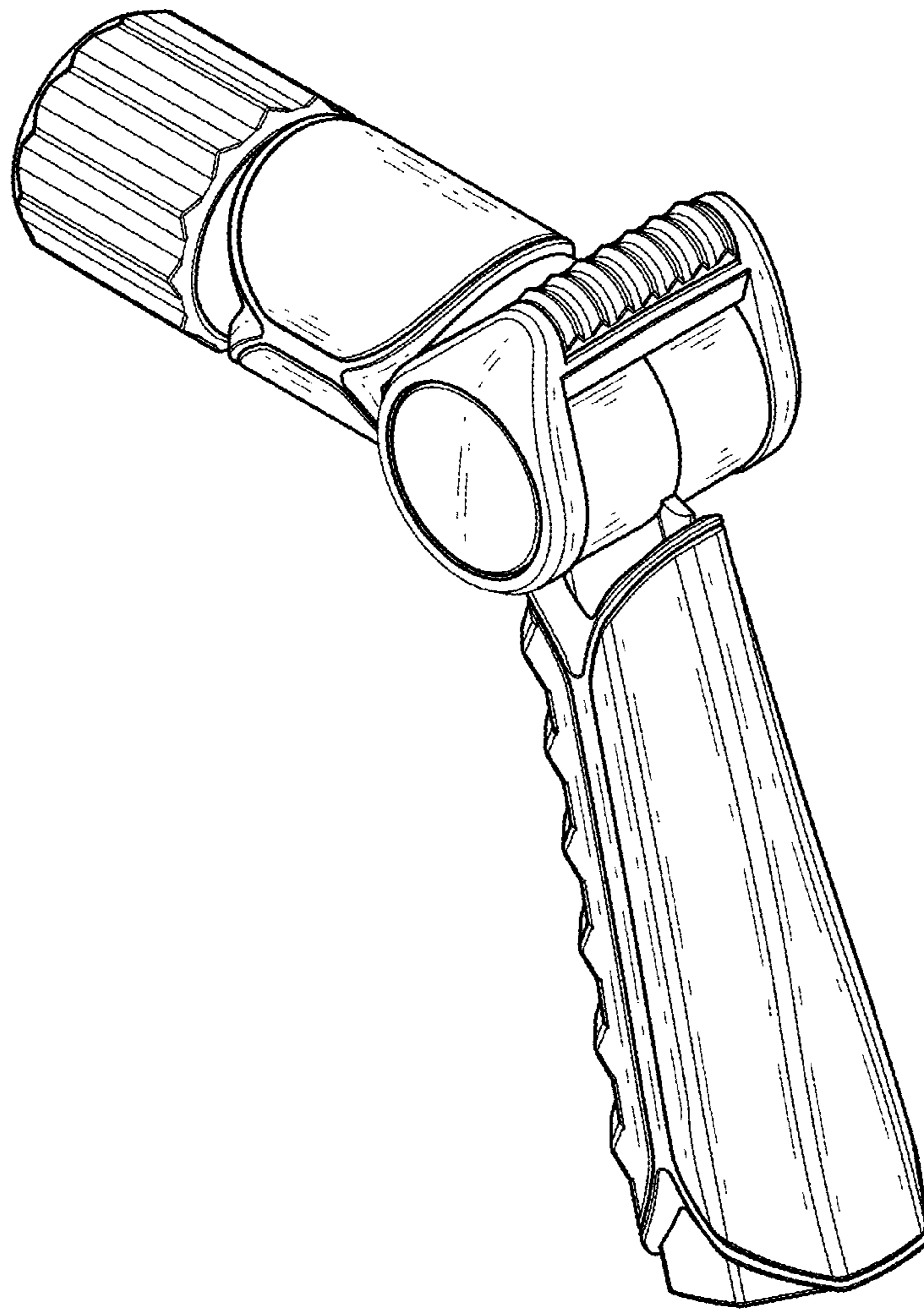


FIG.8