

US00D901634S

(12) **United States Design Patent**
Chen

(10) **Patent No.:** **US D901,634 S**

(45) **Date of Patent:** **** Nov. 10, 2020**

- (54) **HOSE CONTROL VALVE**
- (71) Applicant: **SHIN TAI SPURT WATER OF THE GARDEN TOOLS CO., LTD.**
- (72) Inventor: **Chin-Yuan Chen, Chang-Hua Hsien (TW)**
- (73) Assignee: **SHIN TAI SPURT WATER OF THE GARDEN TOOLS CO., LTD., Chang-Hua Hsien (TW)**

D767,092 S *	9/2016	Chen	D23/223
D767,093 S *	9/2016	Chen	D23/223
D768,817 S *	10/2016	Chen	D23/223
D768,819 S *	10/2016	Chen	D23/223
D771,774 S *	11/2016	Chen	D23/223
D779,035 S *	2/2017	Chen	D23/223
D779,036 S *	2/2017	Chen	D23/223
D820,953 S *	6/2018	Chen	D23/223
D824,492 S *	7/2018	Chen	D23/223

* cited by examiner

Primary Examiner — Gino Colan

(**) Term: **15 Years**

(57) **CLAIM**

(21) Appl. No.: **29/690,068**

The ornamental design for a hose control valve, as shown and described.

(22) Filed: **May 5, 2019**

DESCRIPTION

(51) **LOC (12) Cl.** **23-01**

(52) **U.S. Cl.**
USPC **D23/223**

(58) **Field of Classification Search**
USPC D23/245, 248, 233, 213, 223–226, 249;
239/525–527
CPC F16K 11/0853; F16K 5/0407; F16K 5/12;
B05B 15/061
See application file for complete search history.

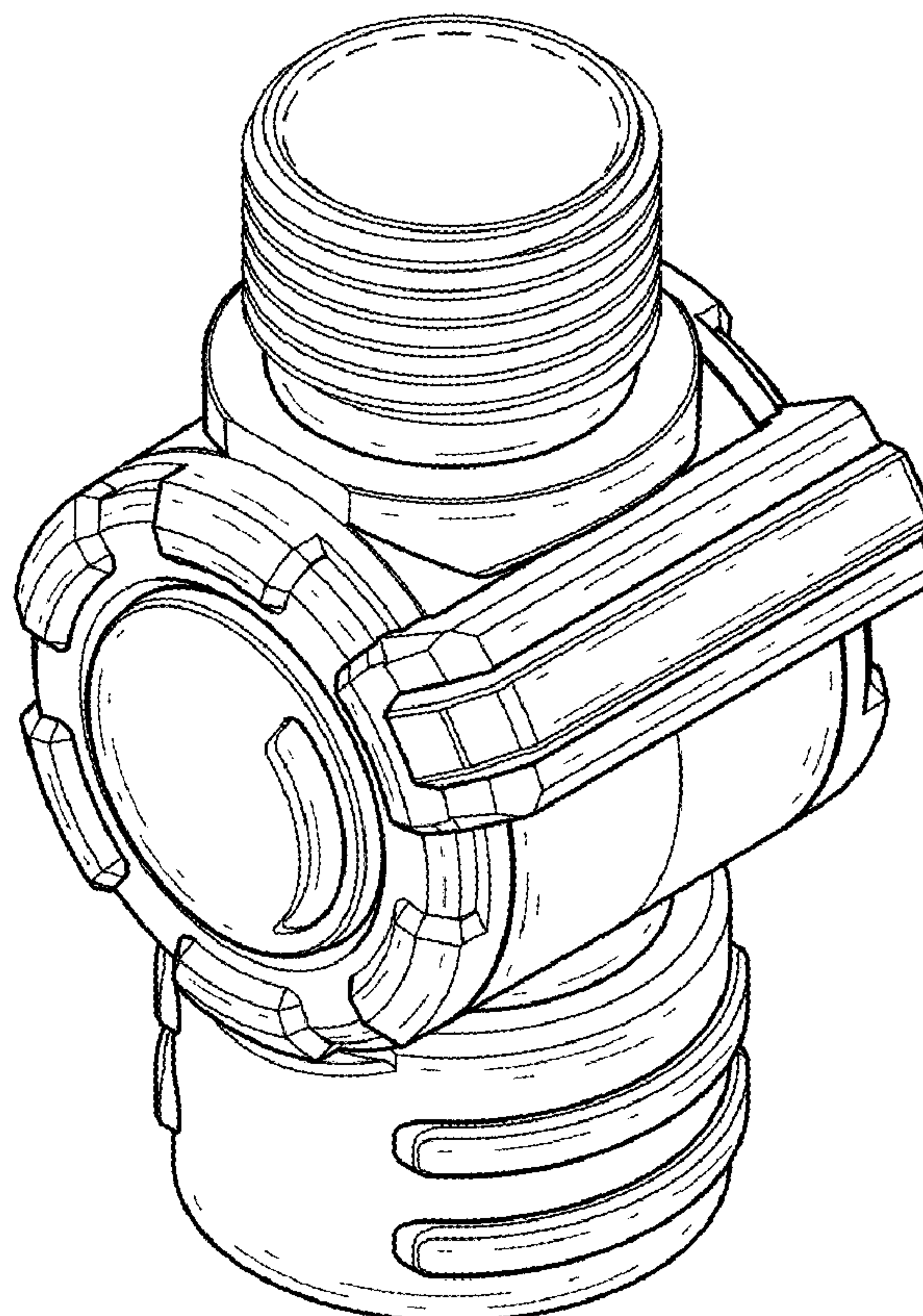
FIG. 1 is a perspective view of a hose control valve showing my new design;
FIG. 2 is a front elevational view thereof;
FIG. 3 is a rear elevational view thereof;
FIG. 4 is a left side elevational view thereof;
FIG. 5 is a right side elevational view thereof;
FIG. 6 is a top plan view thereof;
FIG. 7 is a bottom plan view thereof; and,
FIG. 8 is another perspective view thereof.
The broken lines shown in the figures are for the purpose of illustrating portions of the hose control valve and form no part of the claimed design.

(56) **References Cited**

U.S. PATENT DOCUMENTS

D760,349 S *	6/2016	Chen	D23/223
D767,091 S *	9/2016	Chen	D23/223

1 Claim, 5 Drawing Sheets



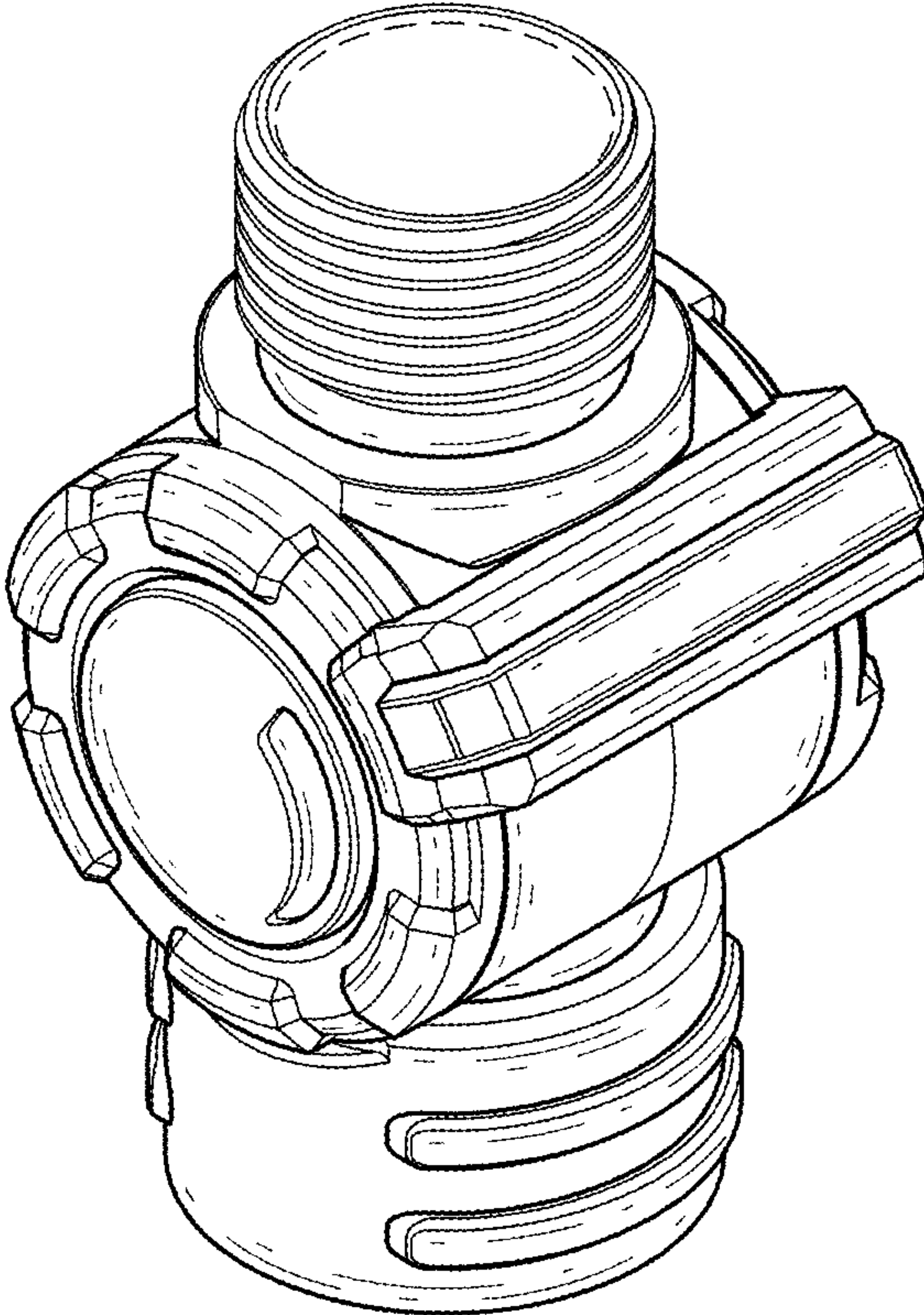


FIG.1

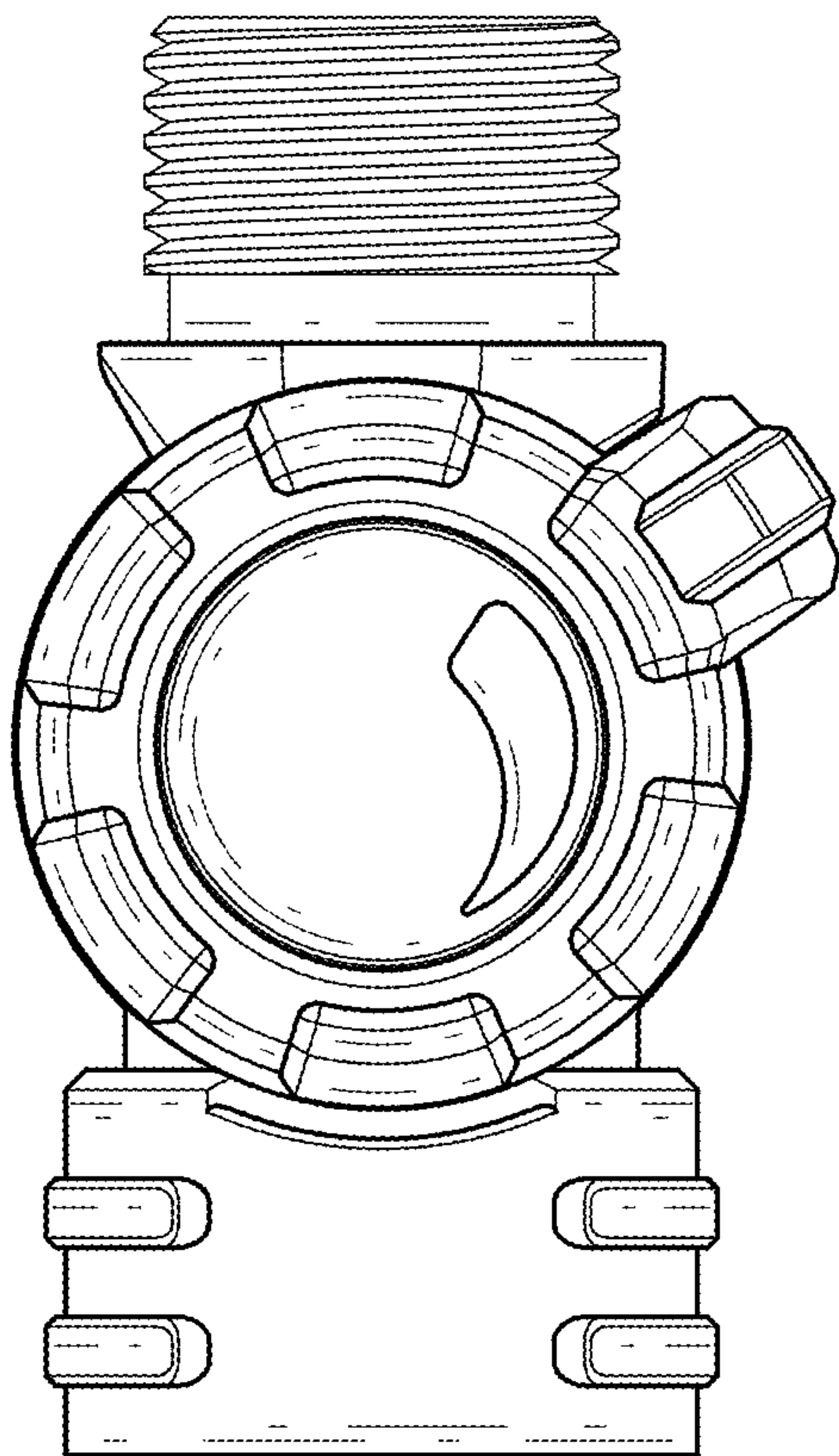


FIG.2

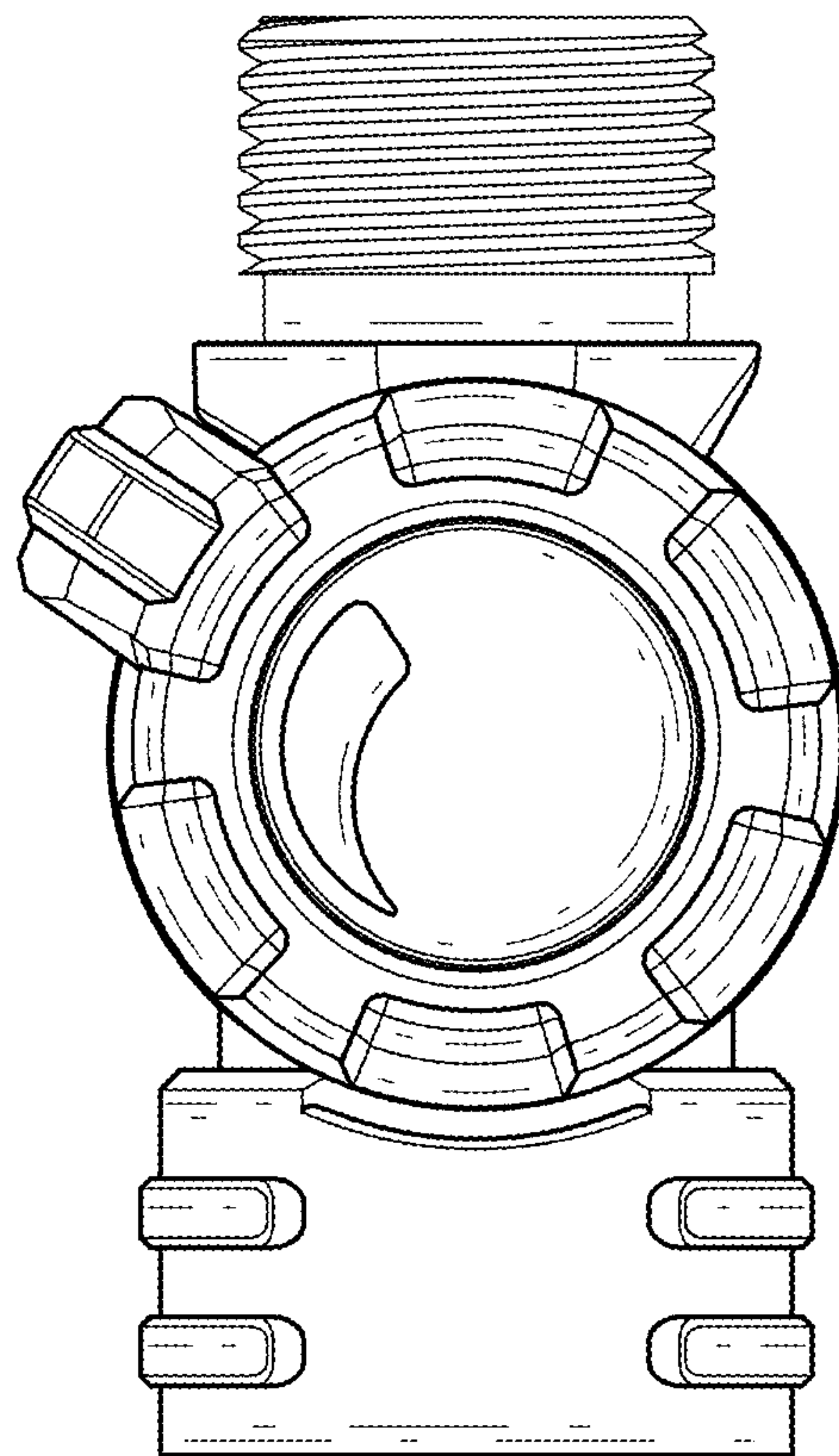


FIG.3

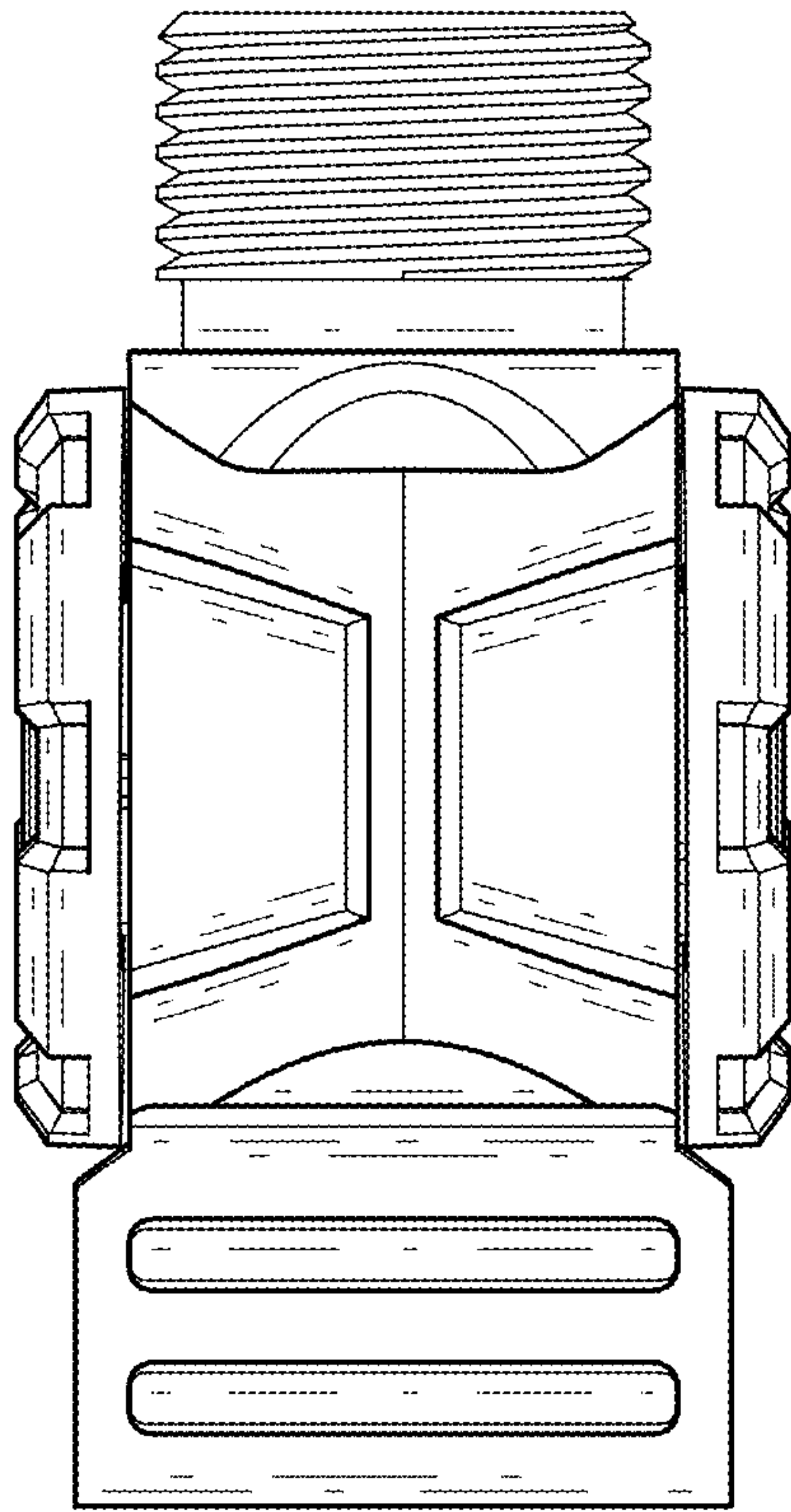


FIG.4

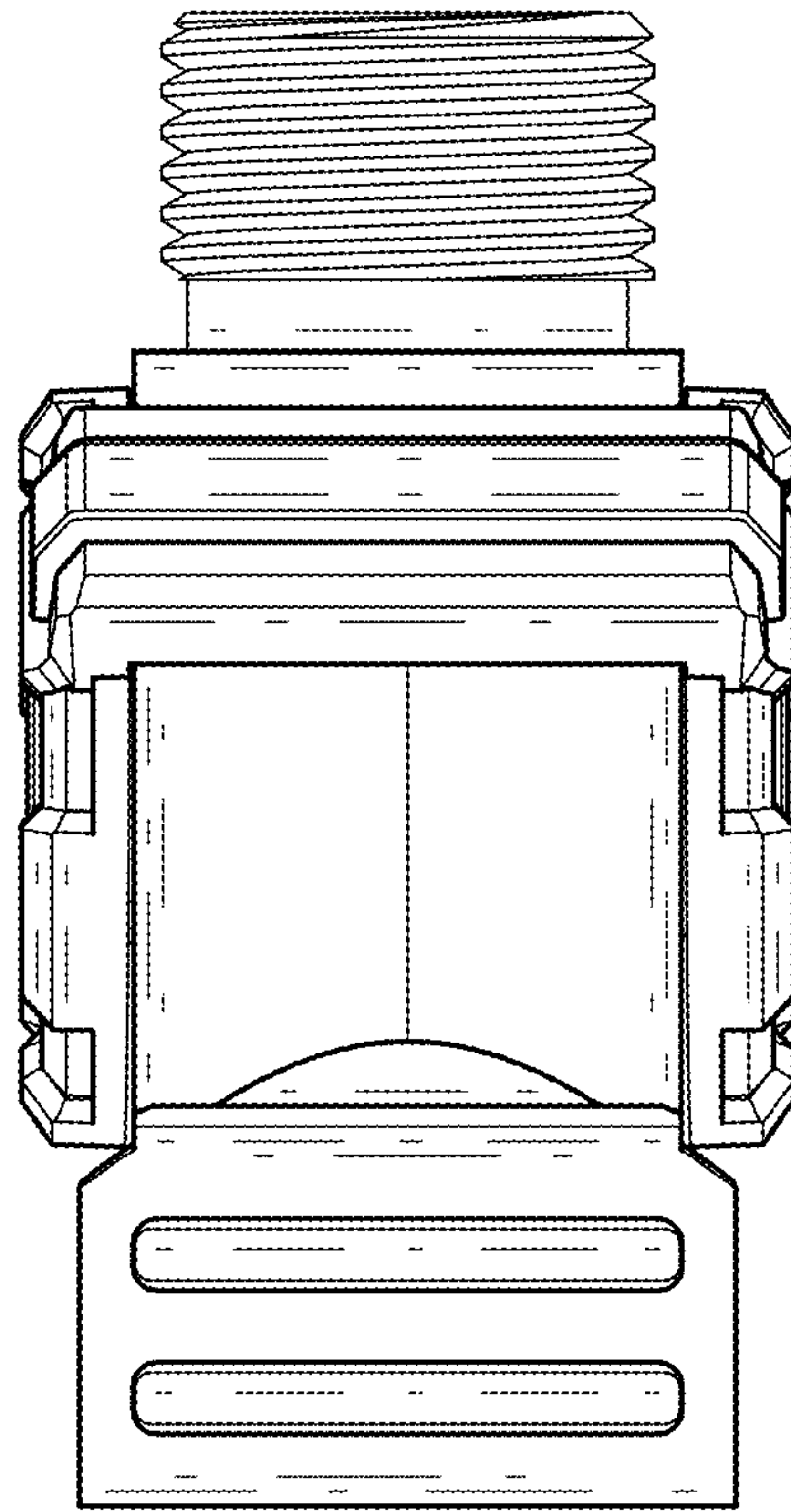


FIG.5

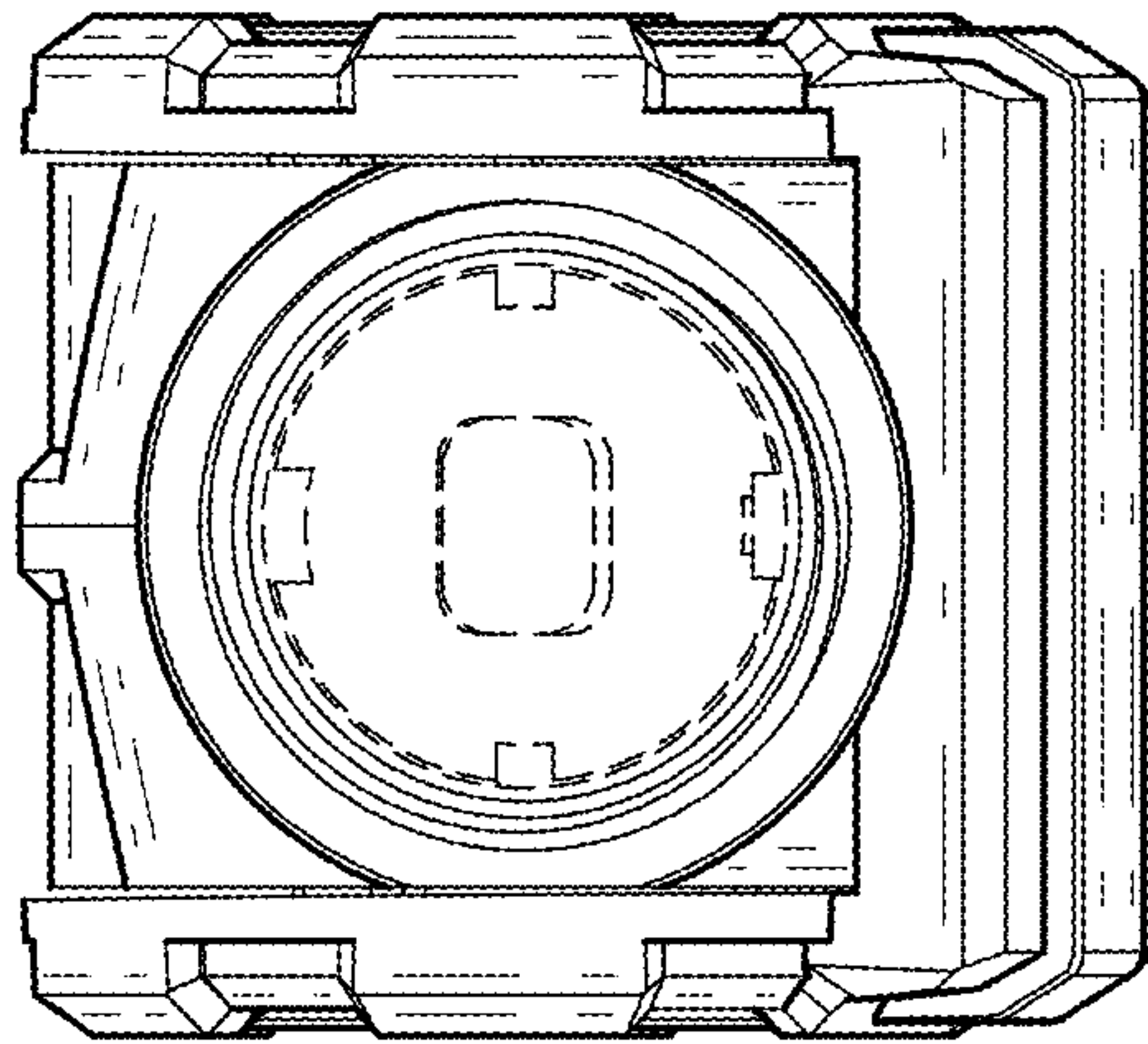


FIG. 6

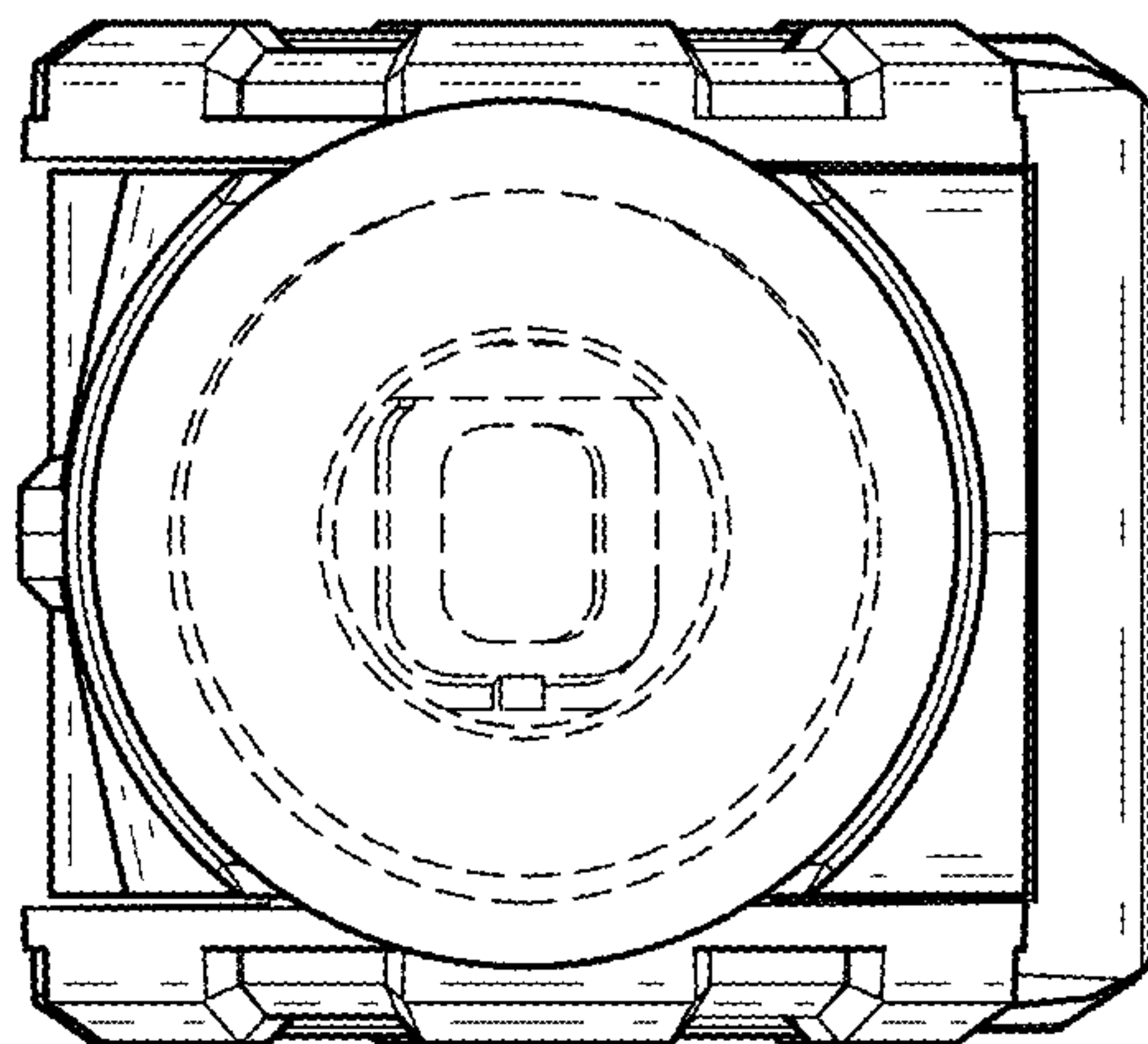


FIG. 7

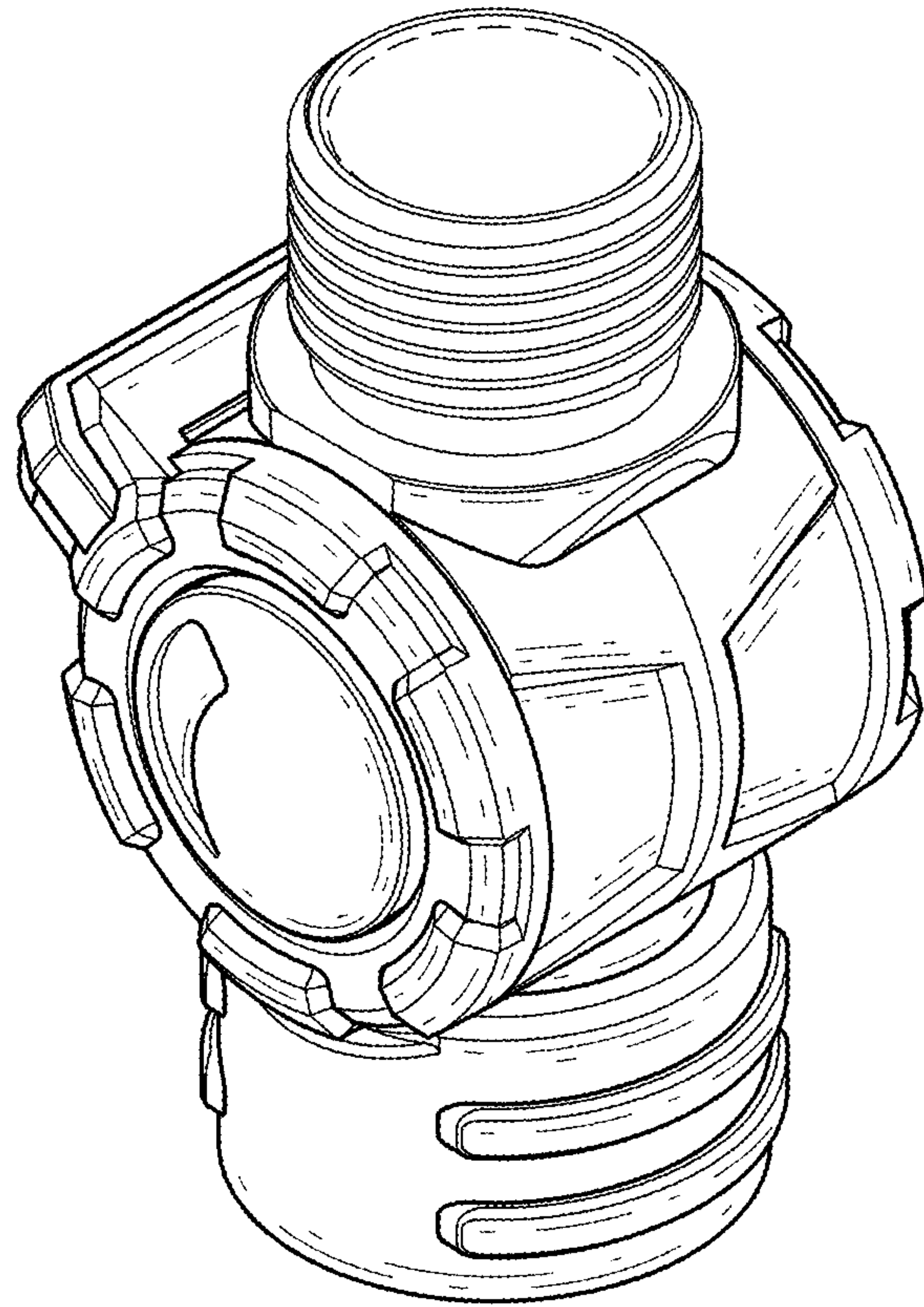


FIG.8