



US00D901629S

(12) **United States Design Patent**  
**Wu et al.**

(10) **Patent No.:** **US D901,629 S**

(45) **Date of Patent:** **\*\* Nov. 10, 2020**

(54) **SHOWER HEAD**

(71) Applicant: **Purity (Xiamen) Sanitary Ware Co., Ltd.**, Xiamen (CN)

(72) Inventors: **James Wu**, Taichung (TW); **Alex Wu**, Taichung (TW); **Ce-Wen Yang**, Xiamen (CN)

(73) Assignee: **PURITY (XIAMEN) SANITARY WARE CO., LTD.**, Xiamen (CN)

(\*\*) Term: **15 Years**

(21) Appl. No.: **29/673,427**

(22) Filed: **Dec. 14, 2018**

(51) **LOC (12) Cl.** ..... **23-01**

(52) **U.S. Cl.**  
USPC ..... **D23/213**

(58) **Field of Classification Search**  
USPC ..... D23/213, 214, 215, 223, 224, 226, 229, 230  
CPC ..... A61H 9/0021; A61H 33/00; B05B 1/00; B05B 1/14; B05B 1/185; B05B 1/08; B05B 1/02; B05B 1/26; B05B 12/002; B05B 1/18; B05B 9/01

See application file for complete search history.

(56) **References Cited**

**U.S. PATENT DOCUMENTS**

D313,267 S *	12/1990	Lenci	.....	D23/213
D357,972 S *	5/1995	Huen	.....	D23/223
D564,621 S *	3/2008	Lammel	.....	D23/223
D580,010 S *	11/2008	Lee	.....	D23/213
7,837,133 B2 *	11/2010	Zhou	.....	B05B 1/185 239/392
D668,320 S *	10/2012	Weihreter	.....	D23/213
D674,046 S *	1/2013	Berger	.....	D23/223

D723,137 S *	2/2015	Nikles	.....	D23/223
D810,233 S *	2/2018	Winter	.....	D23/213
D832,398 S *	10/2018	Lin	.....	D23/223
D841,126 S *	2/2019	Lai	.....	D23/223
D855,759 S *	8/2019	Winter	.....	D23/223
D861,830 S *	10/2019	Quinn	.....	D23/223

**FOREIGN PATENT DOCUMENTS**

RU 00099277 \* 8/2016 ..... B05B 1/00

**OTHER PUBLICATIONS**

<https://gearpatrol.com/2019/10/22/nebia-2-water-saving-showerhead-kickstarter/> (Year: 2019).\*

\* cited by examiner

*Primary Examiner* — Manpreet S Matharu

*Assistant Examiner* — Keith J Wilson

(74) *Attorney, Agent, or Firm* — Birch, Stewart, Kolasch & Birch, LLP

(57) **CLAIM**

The ornamental design for a shower head, as shown and described.

**DESCRIPTION**

FIG. 1 is a first perspective view of a shower head showing our new design;

FIG. 2 is a front view of FIG. 1;

FIG. 3 is a rear view of FIG. 1;

FIG. 4 is a left side view of FIG. 1;

FIG. 5 is a right side view of FIG. 1;

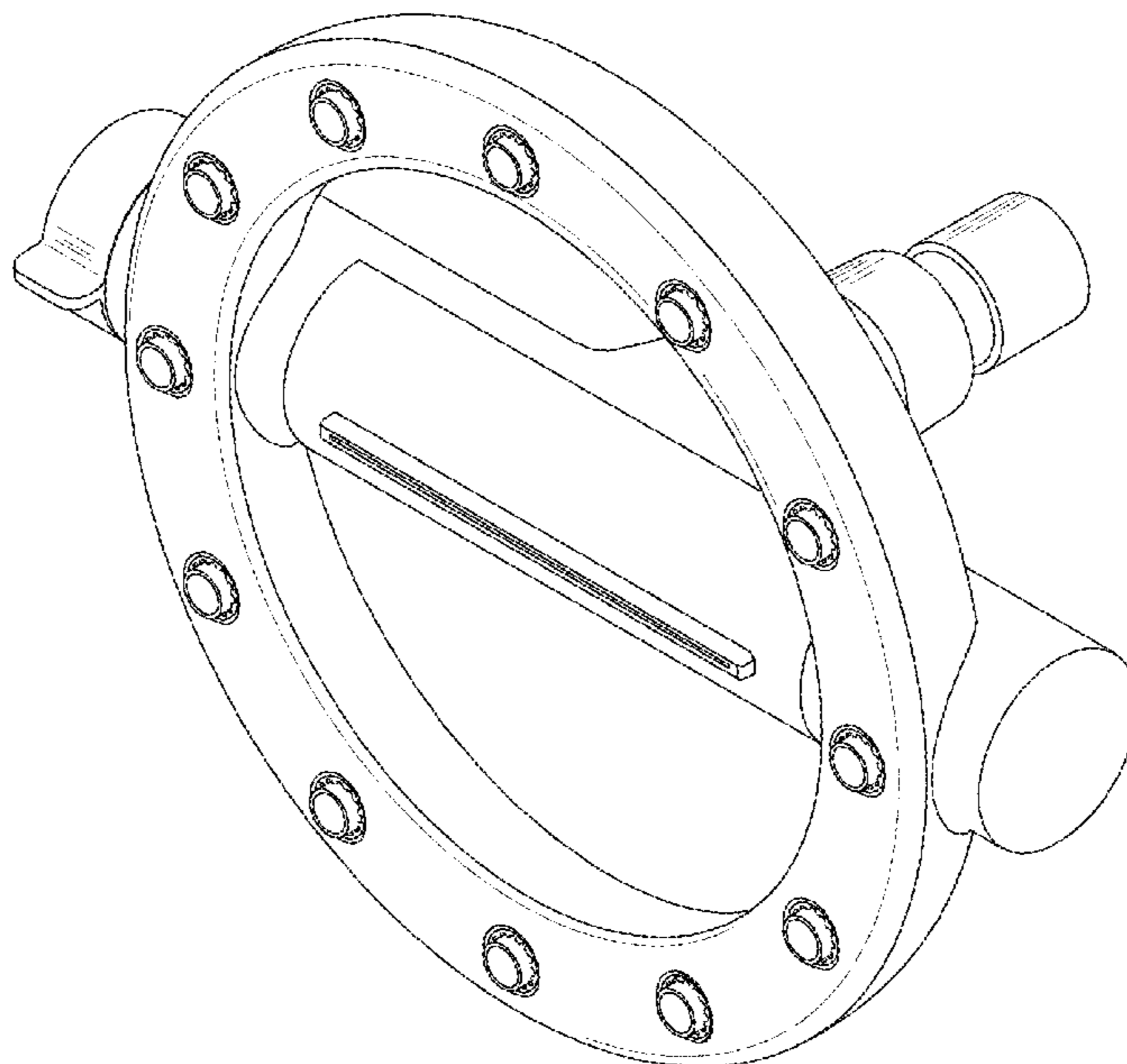
FIG. 6 is a top view of FIG. 1;

FIG. 7 is a bottom view of FIG. 1; and,

FIG. 8 is an enlarged view of portion 8 shown in FIG. 3.

The broken lines shown represent portions of the shower head and form no part of the claimed design.

**1 Claim, 8 Drawing Sheets**



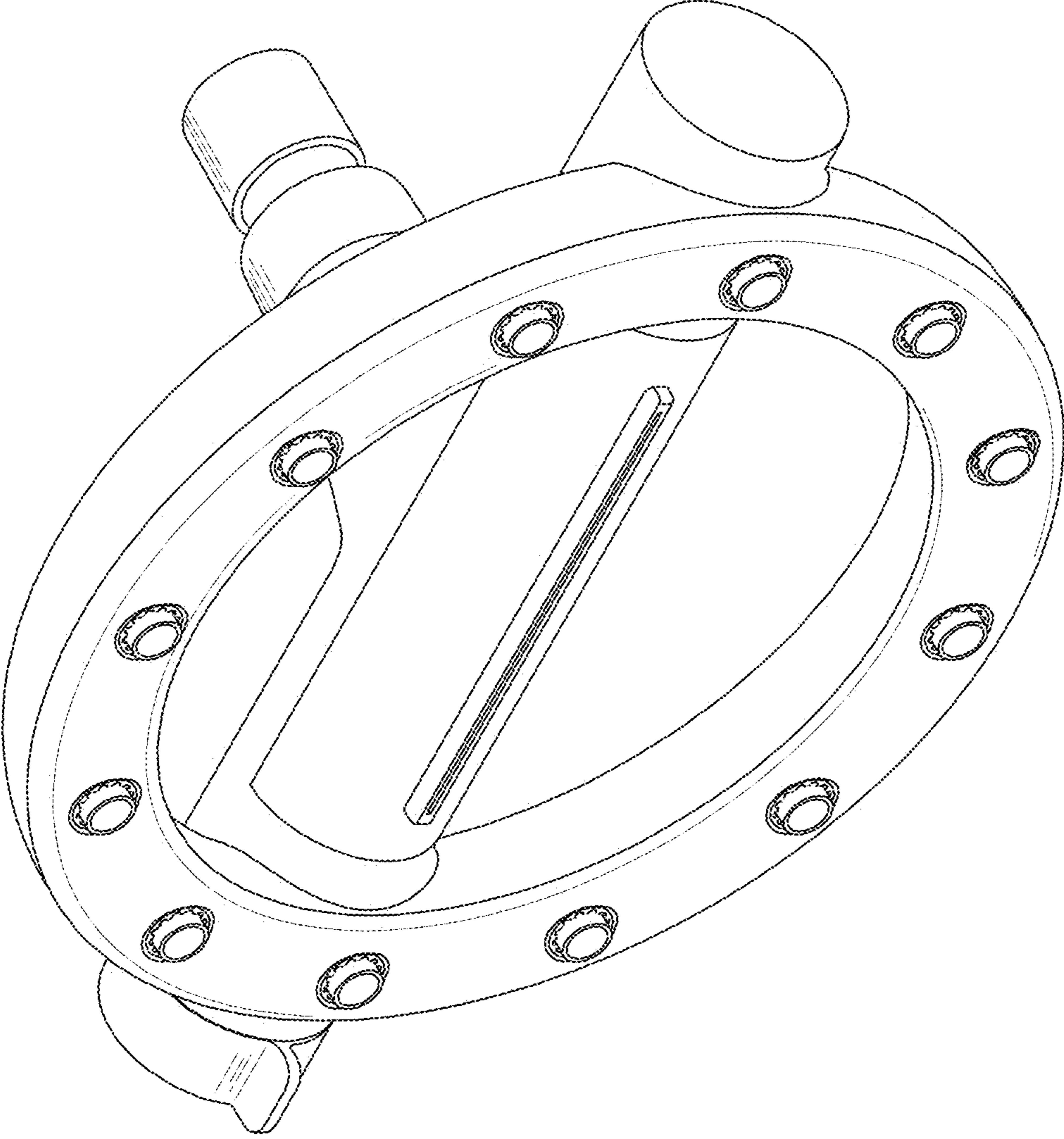


FIG.1

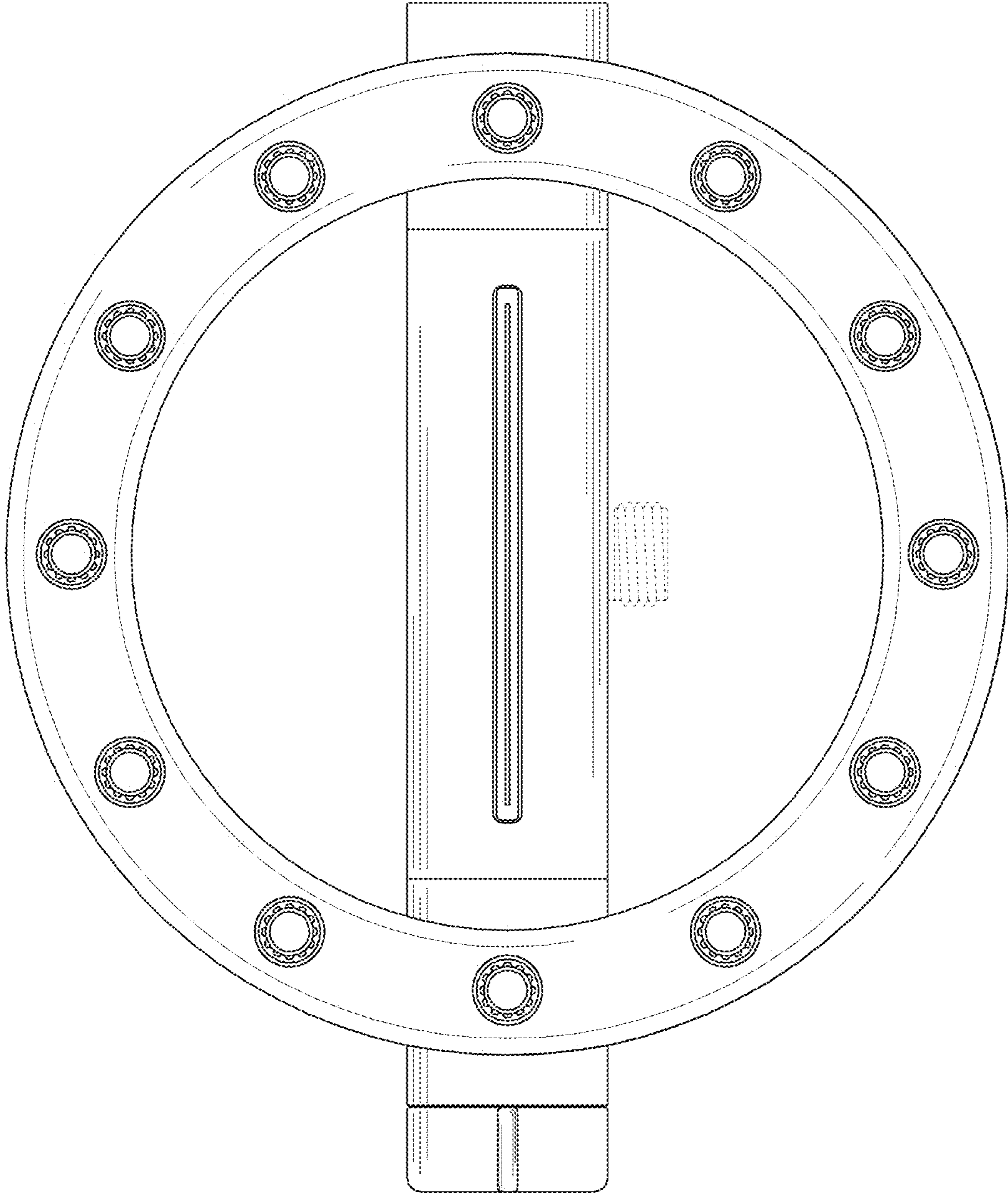


FIG.2

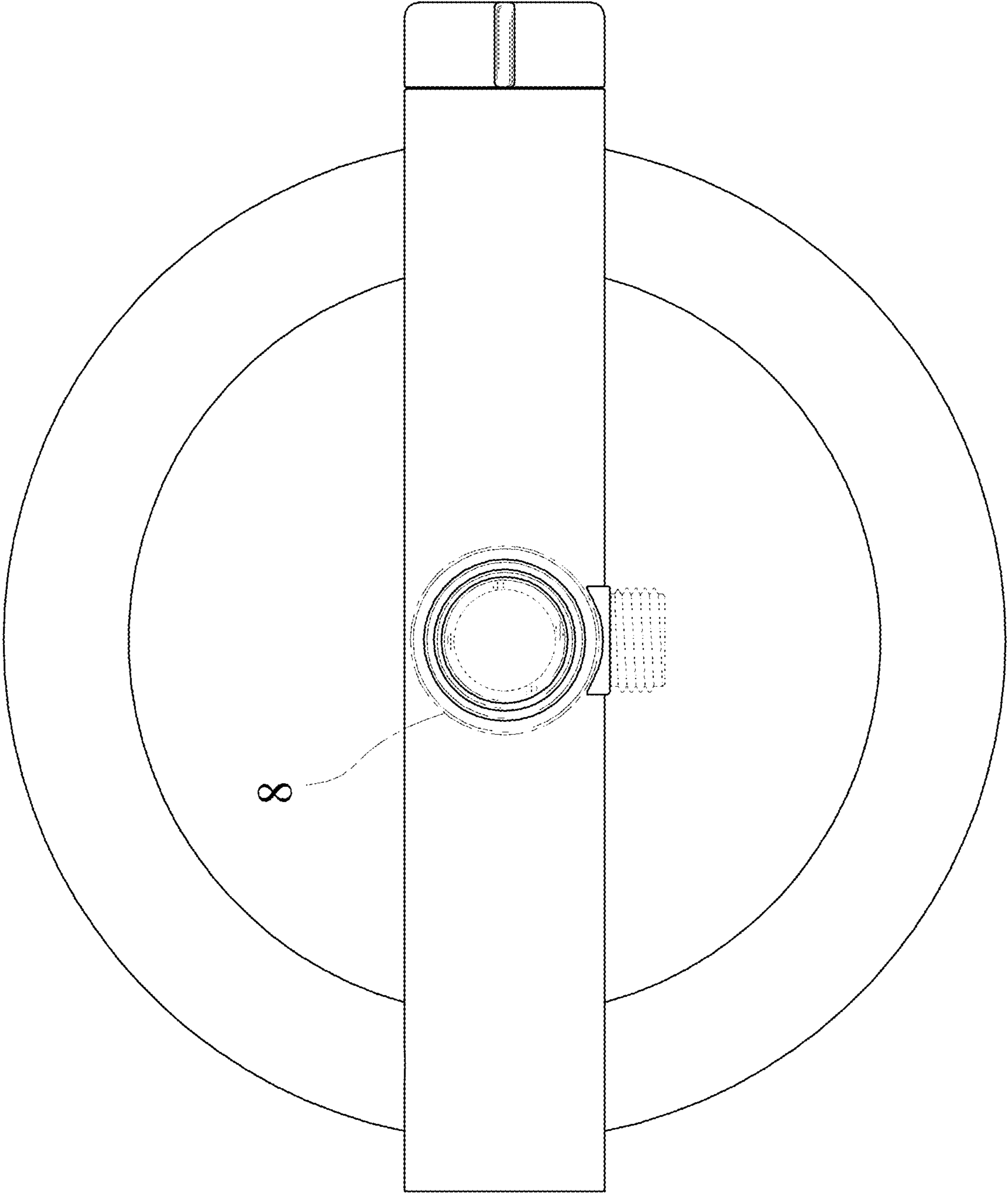


FIG.3



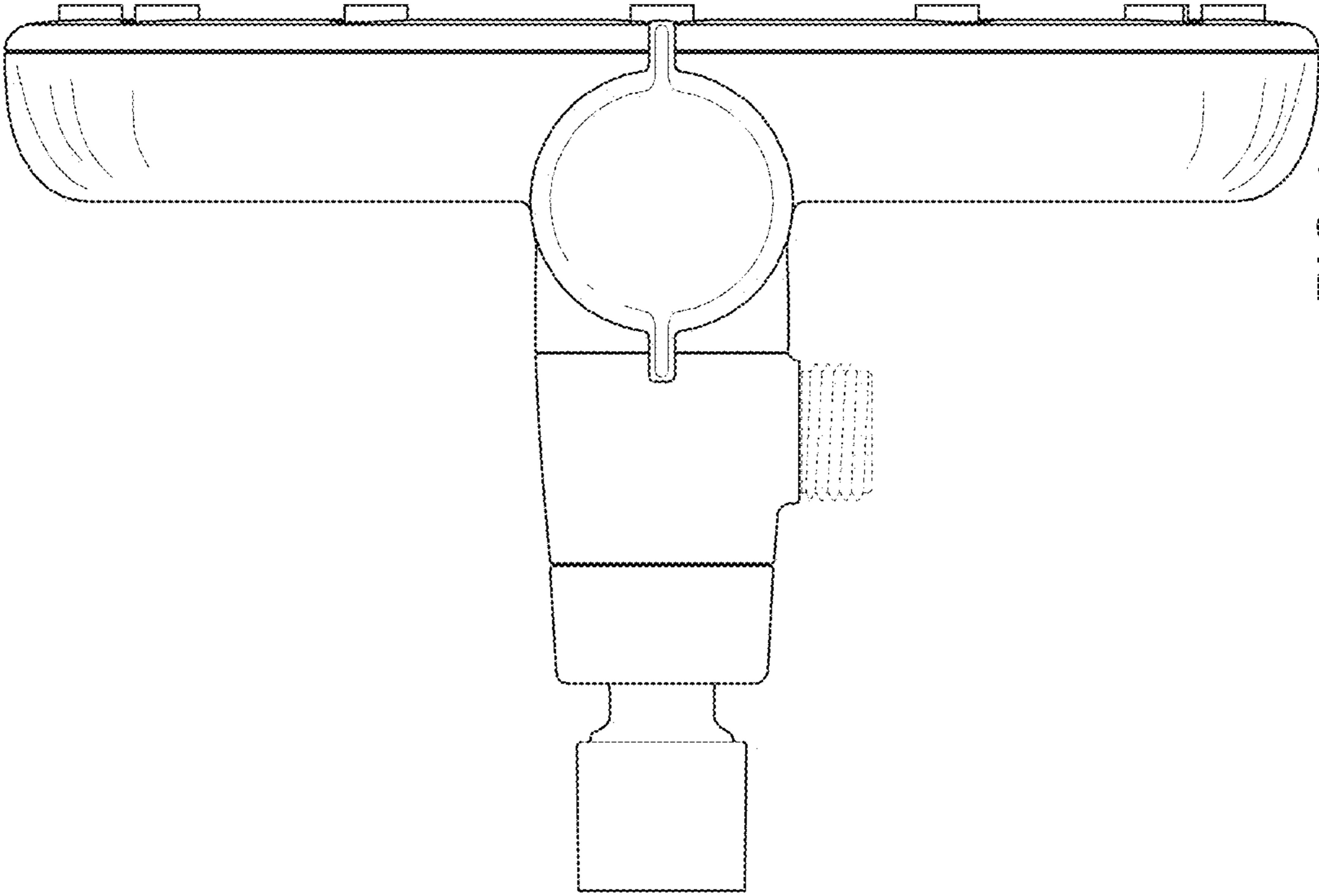


FIG.4

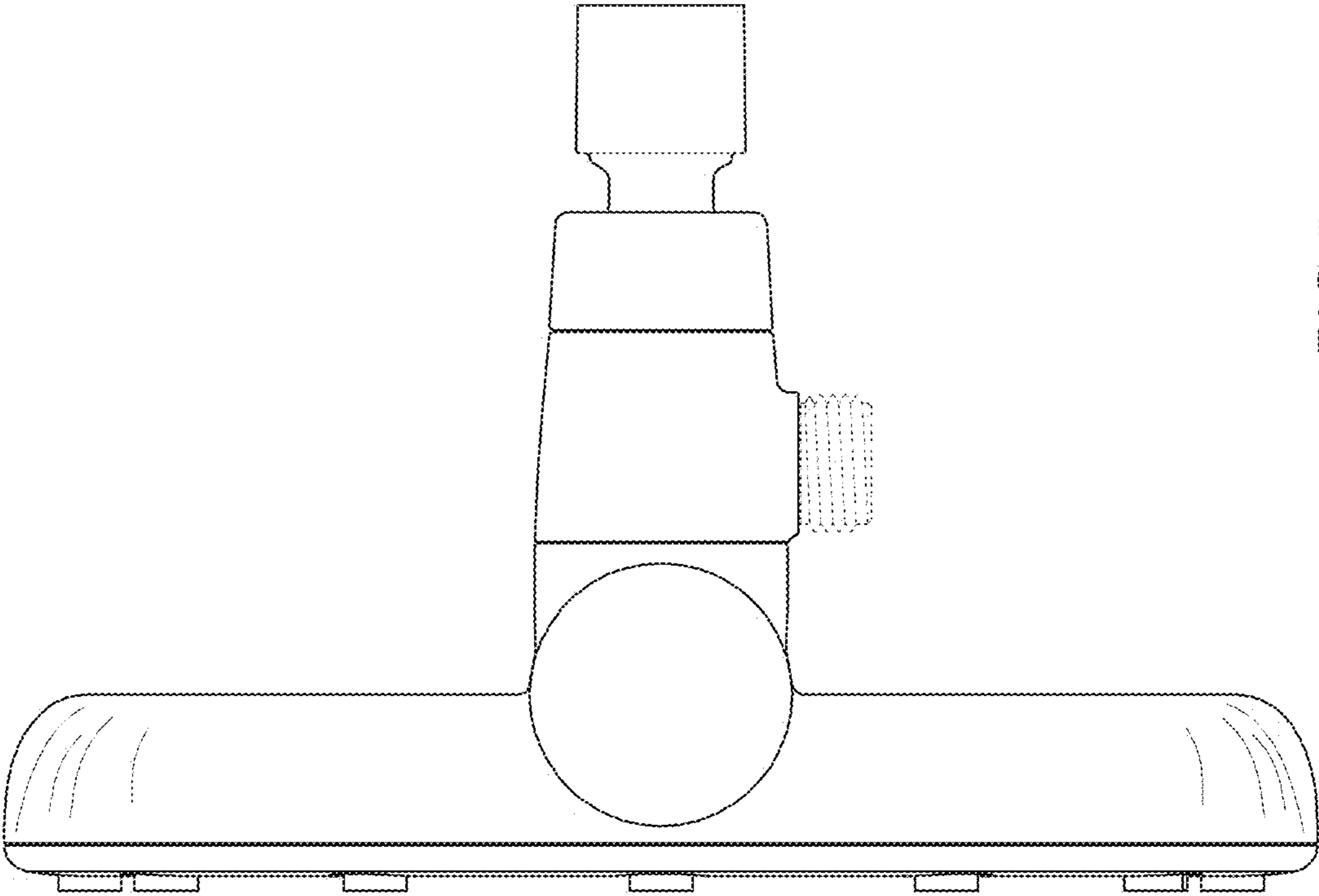


FIG.5

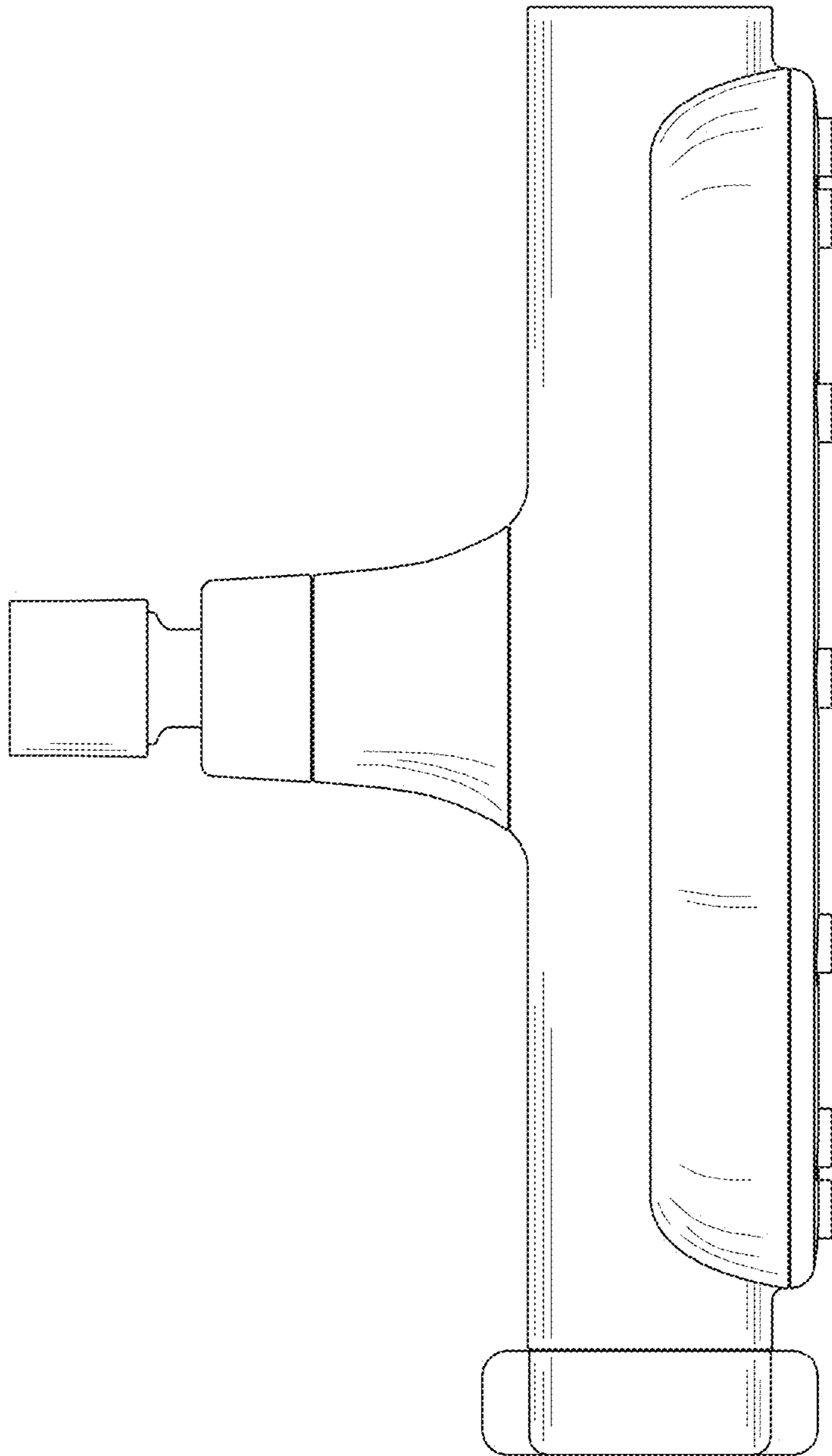


FIG. 6

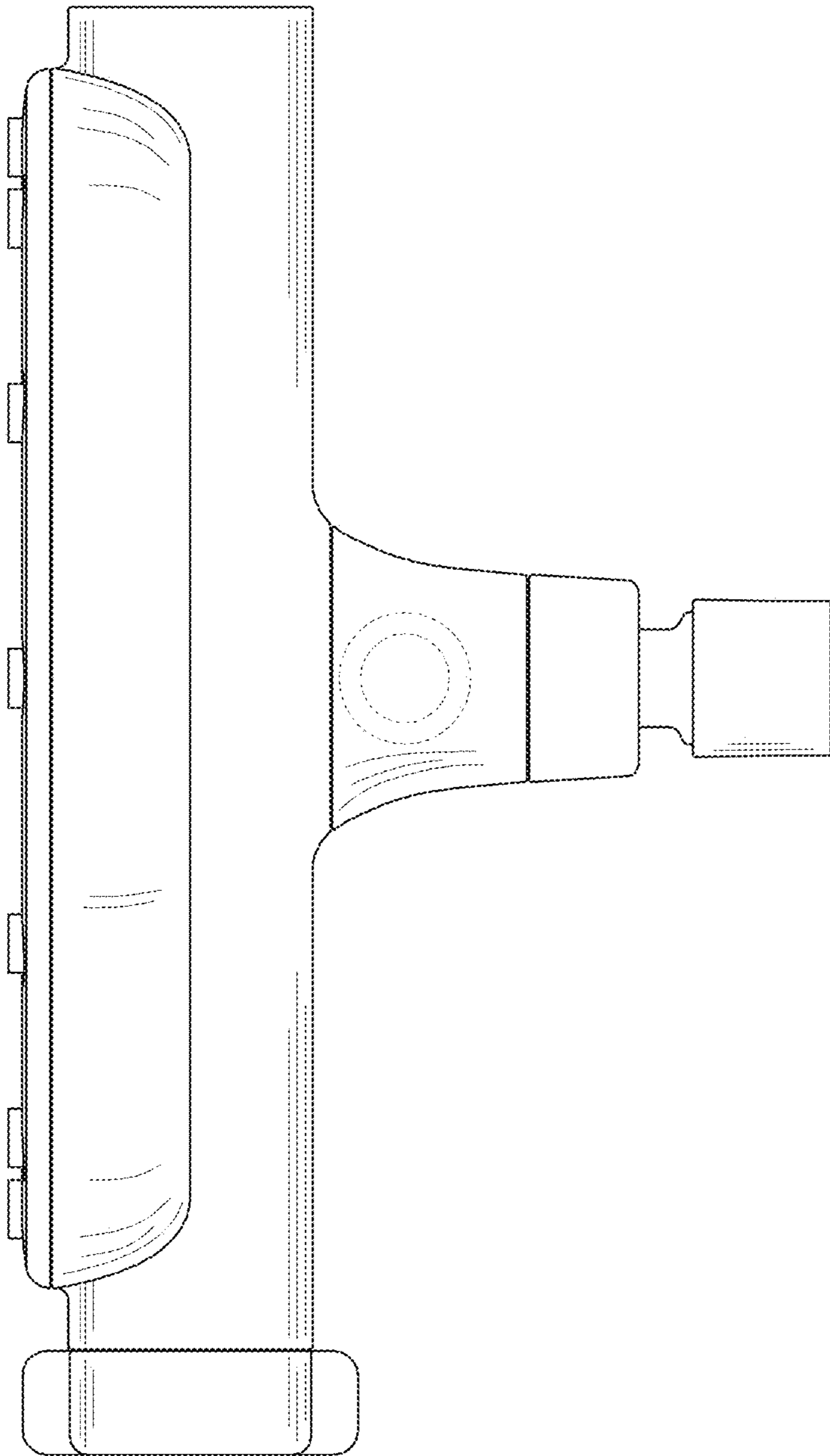
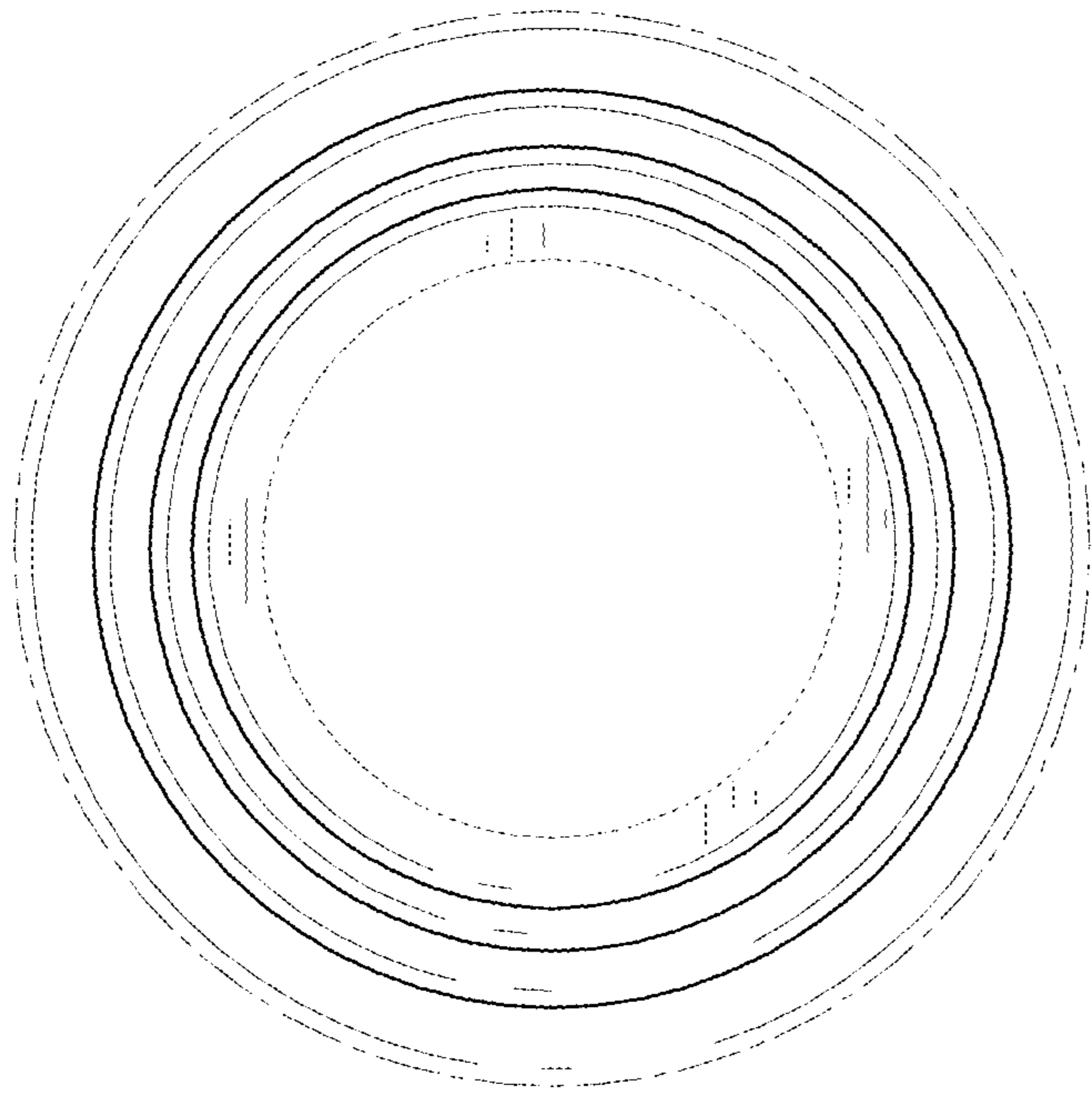


FIG. 7





**FIG.8**