



US00D901626S

(12) **United States Design Patent** (10) **Patent No.:** **US D901,626 S**  
**Johnston et al.** (45) **Date of Patent:** **\*\* Nov. 10, 2020**

- (54) **AIRLESS SPRAYER CARTRIDGE**
- (71) Applicant: **Graco Minnesota Inc.**, Minneapolis, MN (US)
- (72) Inventors: **Justin G. Johnston**, Rogers, MN (US);  
**Brian M. Mulgrew**, St. Francis, MN (US)
- (73) Assignee: **Graco Minnesota Inc.**, Minneapolis, MN (US)
- (\*\*) Term: **15 Years**
- (21) Appl. No.: **29/671,637**
- (22) Filed: **Nov. 28, 2018**
- (51) **LOC (12) Cl.** ..... **23-01**
- (52) **U.S. Cl.**  
USPC ..... **D23/213; D9/688**
- (58) **Field of Classification Search**  
USPC ..... D23/208, 213, 223–225, 233, 235–237,  
D23/241–249, 252, 255, 262; D7/322,  
D7/398, 669; D9/434–436, 439, 440,  
D9/443, 447–450, 454, 499, 682,  
D9/685–691  
CPC ..... F04B 9/14; F04B 23/02; F04B 23/023;  
B05B 11/3059; B05B 11/3001  
See application file for complete search history.

(56) **References Cited**

**U.S. PATENT DOCUMENTS**

- D368,762 S \* 4/1996 Buergi ..... D23/213
- D408,495 S \* 4/1999 Adams ..... D23/213
- D423,922 S \* 5/2000 Ohchi ..... D9/503
- D430,793 S \* 9/2000 Baron ..... D9/688
- D511,690 S \* 11/2005 Garcia ..... D9/682
- 7,131,601 B2 \* 11/2006 Nolte ..... B05B 5/0415  
239/224
- D565,697 S \* 4/2008 Thiel ..... D23/213
- D569,265 S \* 5/2008 Van Der Straten ..... D9/688

- D601,898 S \* 10/2009 Ikeda ..... D9/503
- D636,844 S \* 4/2011 Herre ..... D23/213
- D639,905 S \* 6/2011 Uchida ..... D23/213
- D667,530 S \* 9/2012 Wyne ..... D23/213
- D669,555 S \* 10/2012 Jaworski ..... D23/213
- D669,961 S \* 10/2012 Sanwald ..... D23/213
- D699,320 S \* 2/2014 Wyne ..... D23/213
- D712,009 S \* 8/2014 Gopalan ..... D23/213
- D713,736 S \* 9/2014 Chen ..... D9/688
- D720,627 S \* 1/2015 Chen ..... D9/688

(Continued)

**OTHER PUBLICATIONS**

[https://www.amazon.com/Graco-Contractor-ProConnect-Replacement-Cartridge/dp/B07S7TF1Y2/ref=sr\\_1\\_3?keywords=airless+cartridge&qid=1574453542&s=hi&sr=1-3](https://www.amazon.com/Graco-Contractor-ProConnect-Replacement-Cartridge/dp/B07S7TF1Y2/ref=sr_1_3?keywords=airless+cartridge&qid=1574453542&s=hi&sr=1-3) (Year: 2019).\*

(Continued)

*Primary Examiner* — Manpreet S Matharu  
*Assistant Examiner* — Keith J Wilson  
(74) *Attorney, Agent, or Firm* — Kinney & Lange, P.A.

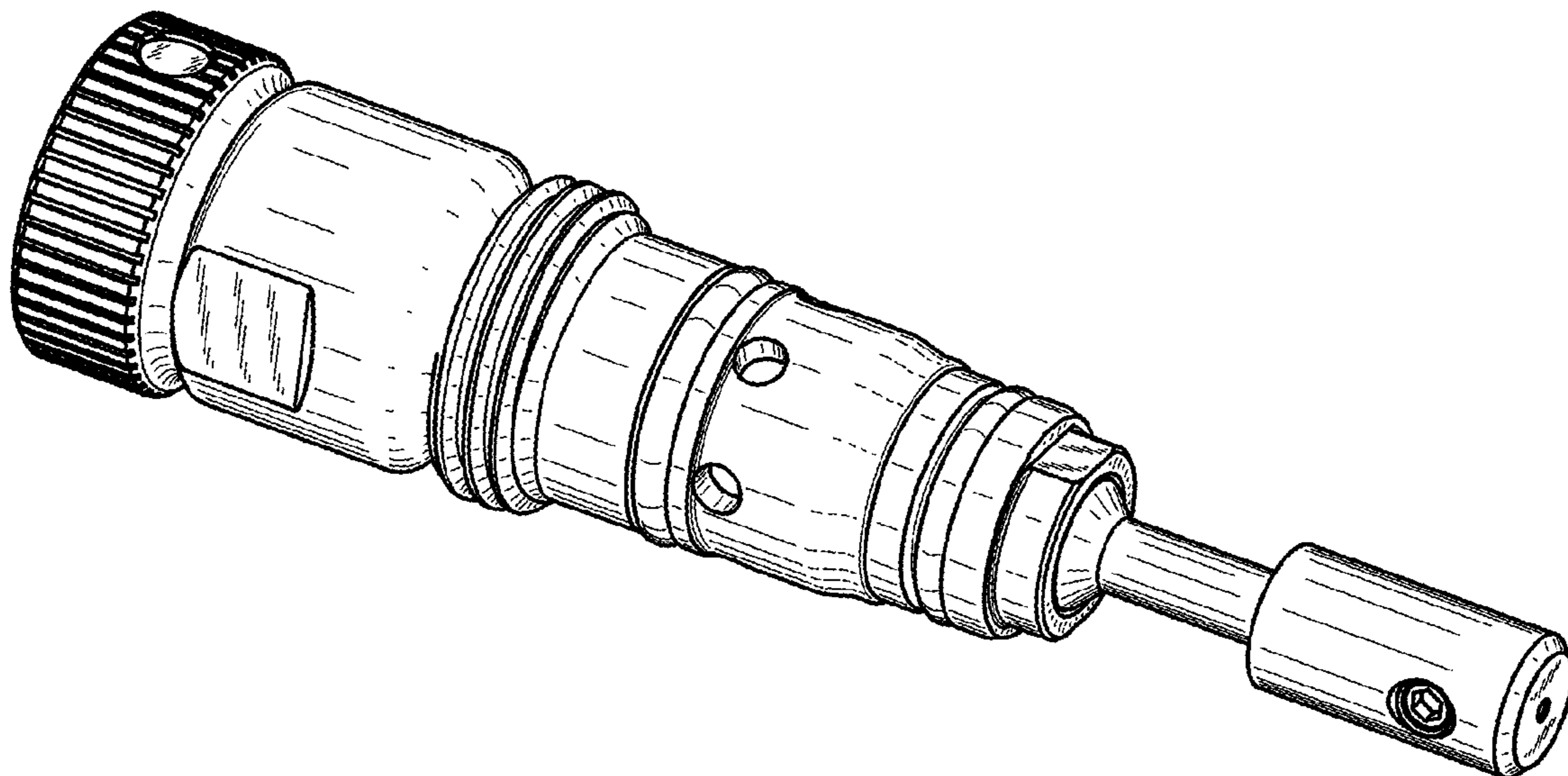
(57) **CLAIM**

The ornamental design for an airless sprayer cartridge, as shown and described.

**DESCRIPTION**

FIG. 1 is a perspective view of an airless sprayer cartridge; FIG. 2 is a top plan view of an airless sprayer cartridge; FIG. 3 is a bottom plan view of an airless sprayer cartridge; FIG. 4 is a right side view of an airless sprayer cartridge; FIG. 5 is a left side view of an airless sprayer cartridge; FIG. 6 is a front elevational view of an airless sprayer cartridge; and, FIG. 7 is a rear elevational view of an airless sprayer cartridge. The broken lines in the Figures represent portions of an airless sprayer cartridge and form no part of the claimed design.

**1 Claim, 4 Drawing Sheets**



(56)

**References Cited**

U.S. PATENT DOCUMENTS

D720,995	S	*	1/2015	Chen	.....	D9/688
D748,223	S	*	1/2016	Williams	.....	D23/213
D751,415	S	*	3/2016	Otani	.....	D9/686
D752,649	S	*	3/2016	Lins	.....	D15/7
D753,188	S	*	4/2016	Kopel	.....	D15/7
D756,238	S	*	5/2016	Chen	.....	D9/688
D758,877	S	*	6/2016	Vaughn-Batiz	.....	D9/682
D758,879	S	*	6/2016	Chen	.....	D9/688
D766,096	S	*	9/2016	Moreaux	.....	D9/688
D776,787	S	*	1/2017	Zhang	.....	D23/213
D810,581	S	*	2/2018	Shalev	.....	D9/684
D812,714	S	*	3/2018	Hughes	.....	D23/213
D843,844	S	*	3/2019	Song	.....	D9/688
D846,995	S	*	4/2019	El Beaini	.....	D9/684
D848,856	S	*	5/2019	Holbrook	.....	D9/688
D851,738	S	*	6/2019	Ghorbani	.....	D23/259
D854,739	S	*	7/2019	Li	.....	D27/162
D856,814	S	*	8/2019	Villarreal	.....	D9/688
D865,278	S	*	10/2019	Chen	.....	D27/167

OTHER PUBLICATIONS

First Indian Exam Report for IN Application No. 318119-001,  
Dated Jun. 28, 2019, pp. 2.

First Brazilian Office Action for BR Application No. BR302019002242-  
7, Dated Sep. 10, 2019, pp. 2.

First Taiwan Office Action for TW Application No. 108303169,  
Dated Dec. 11, 2019, pp. 4.

\* cited by examiner

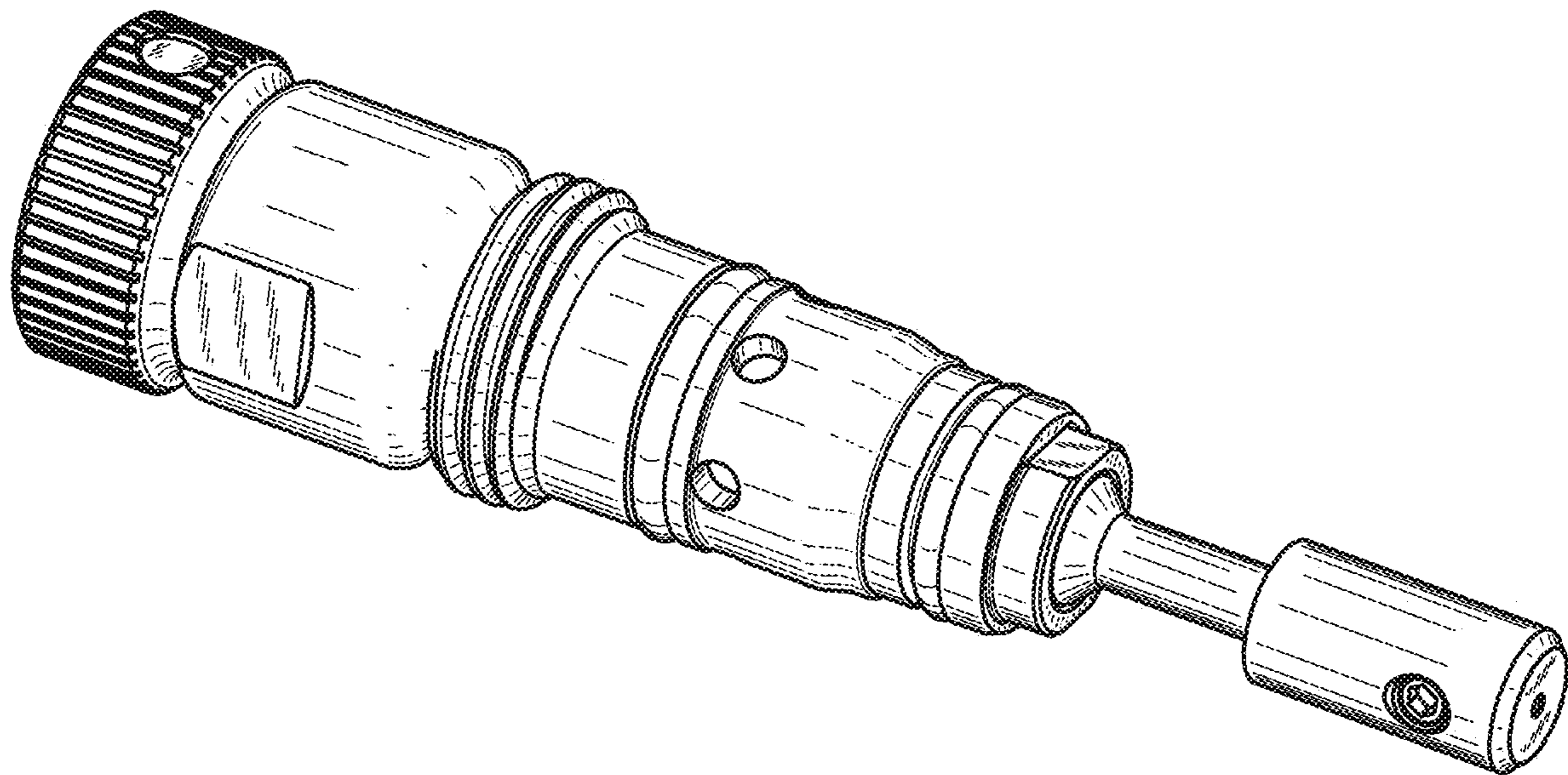


Fig. 1





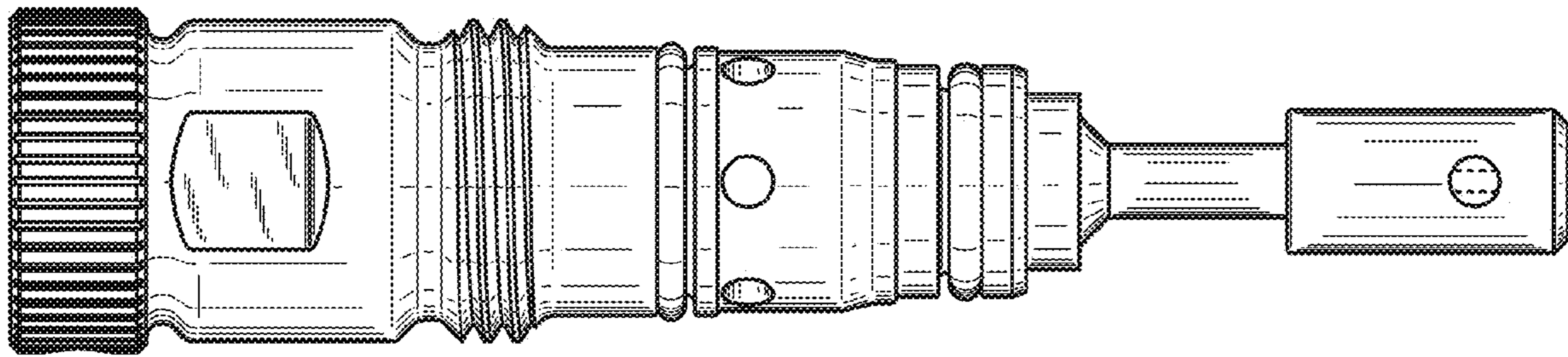


Fig. 4

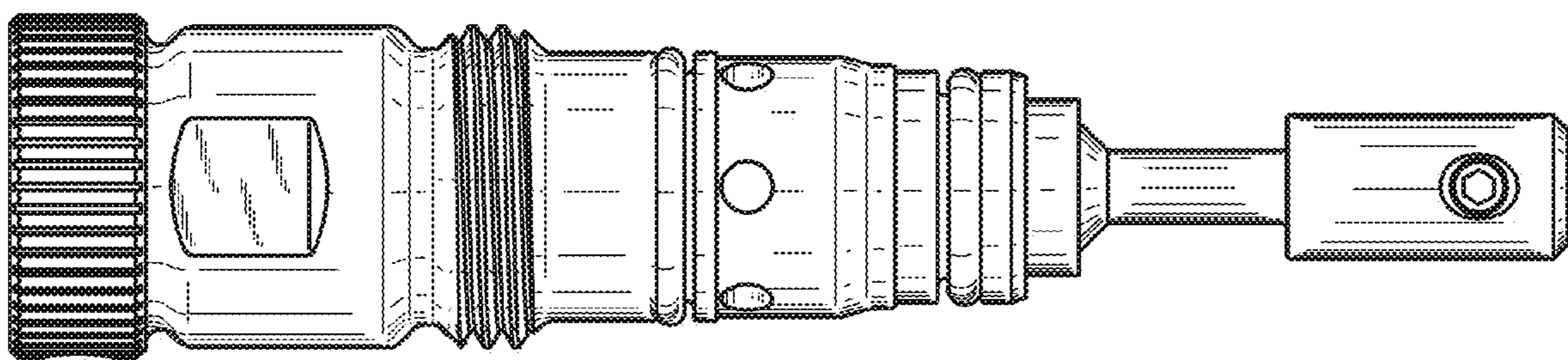


Fig. 5

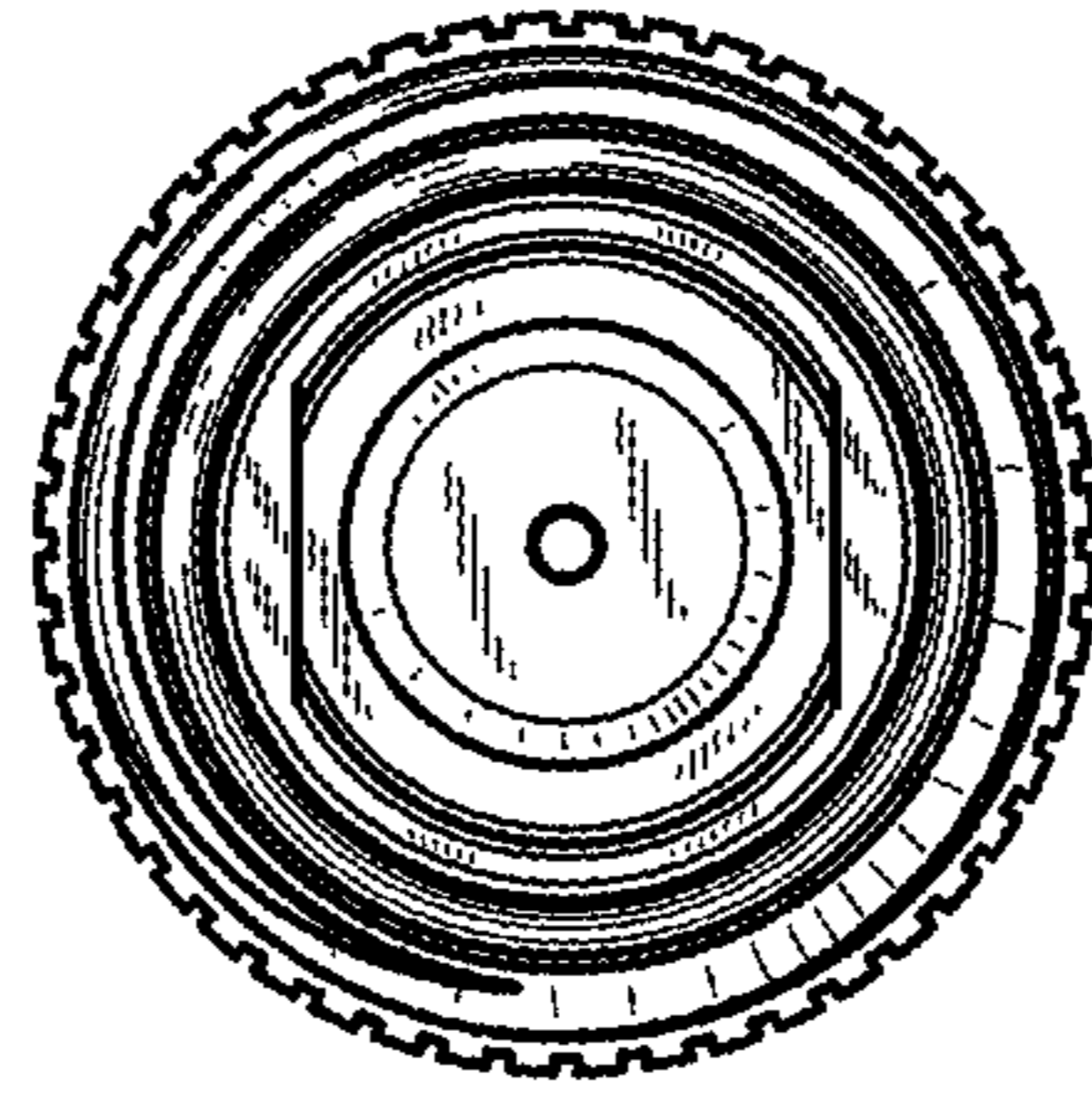


Fig. 6

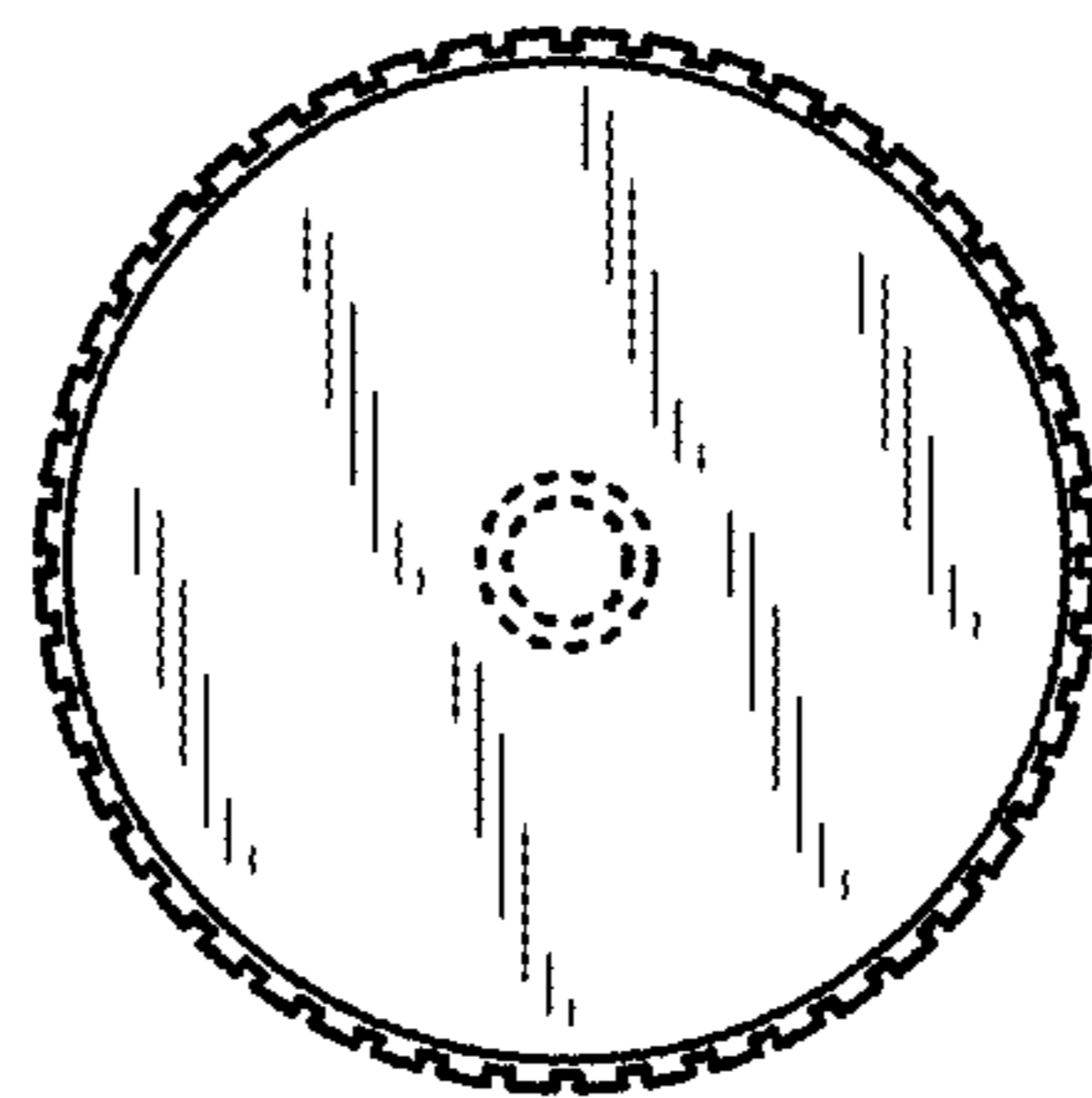


Fig. 7