



US00D901625S

(12) **United States Design Patent** (10) **Patent No.:** **US D901,625 S**  
**Garland** (45) **Date of Patent:** **\*\* Nov. 10, 2020**

(54) **SHOWERHEAD**  
(71) Applicant: **DELTA FAUCET COMPANY**,  
Indianapolis, IN (US)  
(72) Inventor: **Celine Kwok Garland**, Zionsville, IN  
(US)  
(73) Assignee: **DELTA FAUCET COMPANY**,  
Indianapolis, IN (US)  
(\*\*) Term: **15 Years**  
(21) Appl. No.: **29/667,421**  
(22) Filed: **Oct. 22, 2018**  
(51) **LOC (12) Cl.** ..... **23-01**  
(52) **U.S. Cl.**  
USPC ..... **D23/213; D23/223**  
(58) **Field of Classification Search**  
USPC ..... D23/213, 214, 215, 223, 224, 226, 229,  
D23/230  
CPC ..... A61H 9/0021; A61H 33/00; B05B 1/00;  
B05B 1/14; B05B 1/185; B05B 1/08;  
B05B 1/02; B05B 1/26; B05B 12/002;  
B05B 1/18; B05B 9/01  
See application file for complete search history.

D680,619 S \* 4/2013 Zhadanov ..... D23/223  
D681,776 S \* 5/2013 Cutler ..... D23/223  
D744,065 S \* 11/2015 Peterson ..... D23/223  
D744,611 S \* 12/2015 Quinn ..... D23/223  
D755,346 S \* 5/2016 Yan ..... D23/223  
9,404,243 B2 \* 8/2016 Cacka ..... B05B 1/1654  
D779,039 S \* 2/2017 Hanna ..... D23/223  
9,764,339 B2 \* 9/2017 Yu ..... B05B 1/18  
D810,861 S \* 2/2018 Weaver ..... D23/213  
D820,949 S \* 6/2018 Reinecker ..... D23/213  
D842,967 S \* 3/2019 Farley ..... D23/213  
D857,842 S \* 8/2019 Yu ..... D23/213  
2012/0031511 A1 \* 2/2012 Farley ..... E03C 1/0408  
137/544  
2019/0091715 A1 \* 3/2019 Mercado ..... B05B 1/185

**OTHER PUBLICATIONS**

<https://www.amazon.com/dp/B07JMNTD53/> (Year: 2019).\*

\* cited by examiner

*Primary Examiner* — Manpreet S Matharu  
*Assistant Examiner* — Keith J Wilson  
(74) *Attorney, Agent, or Firm* — Nirav D. Parikh; Edgar  
A. Zarins

(57) **CLAIM**

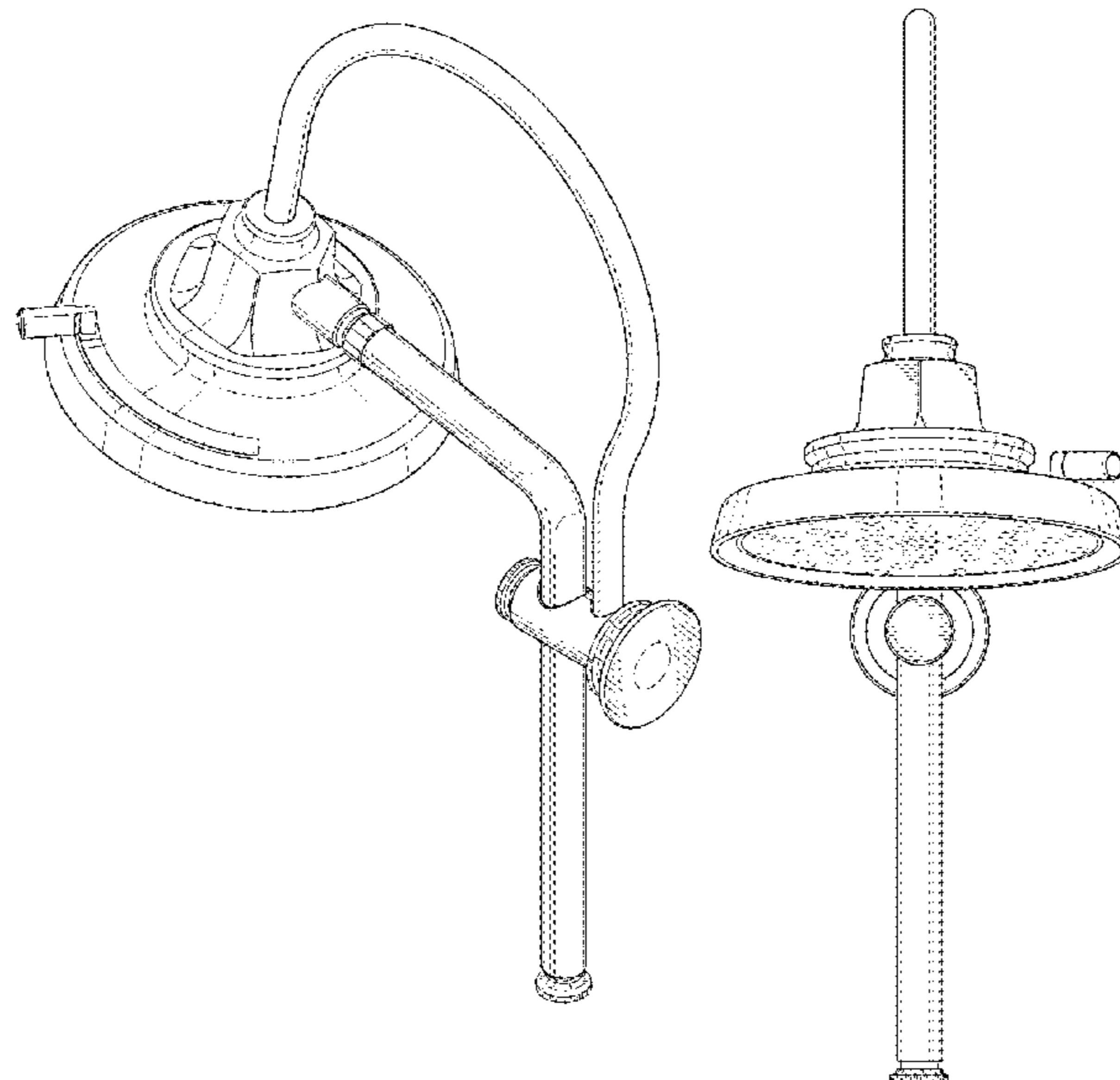
The ornamental design for a showerhead, as shown and described.

**DESCRIPTION**

FIG. 1 is a rear perspective view of a showerhead showing my new design;  
FIG. 2 is a front elevational view thereof;  
FIG. 3 is a left side view thereof;  
FIG. 4 is a top plan view thereof; and,  
FIG. 5 is a bottom view thereof.  
The broken-line disclosure in the view represents a portion of the showerhead in which the claimed design is embodied, but which forms no part of the claimed design.

**1 Claim, 3 Drawing Sheets**

(56) **References Cited**  
U.S. PATENT DOCUMENTS  
6,537,455 B2 \* 3/2003 Farley ..... C02F 1/003  
210/251  
D559,945 S \* 1/2008 Patterson ..... D23/213  
D564,621 S \* 3/2008 Lammel ..... D23/223  
D581,014 S \* 11/2008 Quinn ..... D23/223  
7,866,576 B1 \* 1/2011 Farley ..... E03C 1/0409  
239/553  
D634,810 S \* 3/2011 Yoo ..... D23/213  
D659,796 S \* 5/2012 Farley ..... D23/223  
D659,797 S \* 5/2012 Farley ..... D23/223  
D666,010 S \* 8/2012 Farley ..... D6/309



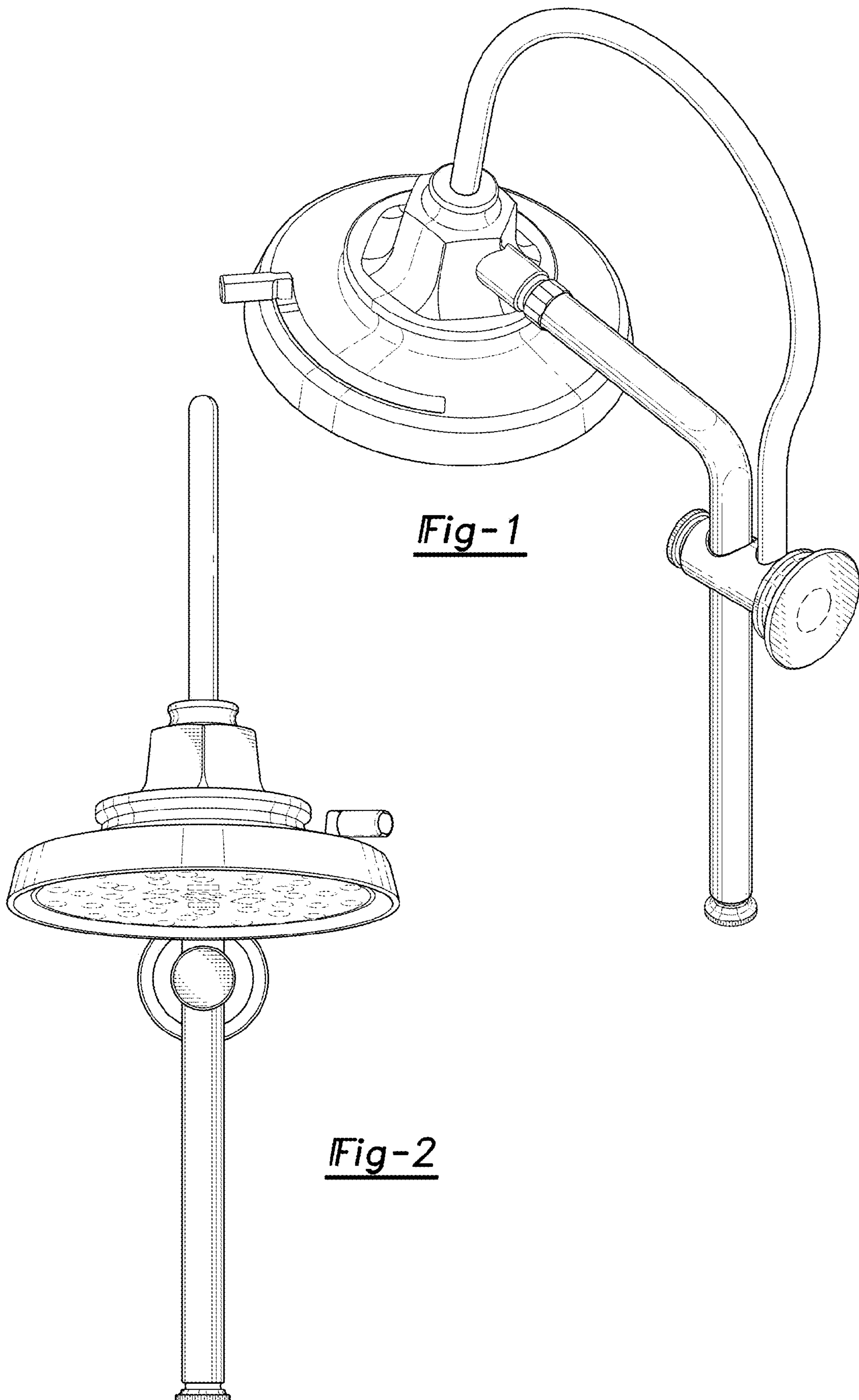


Fig-1

Fig-2

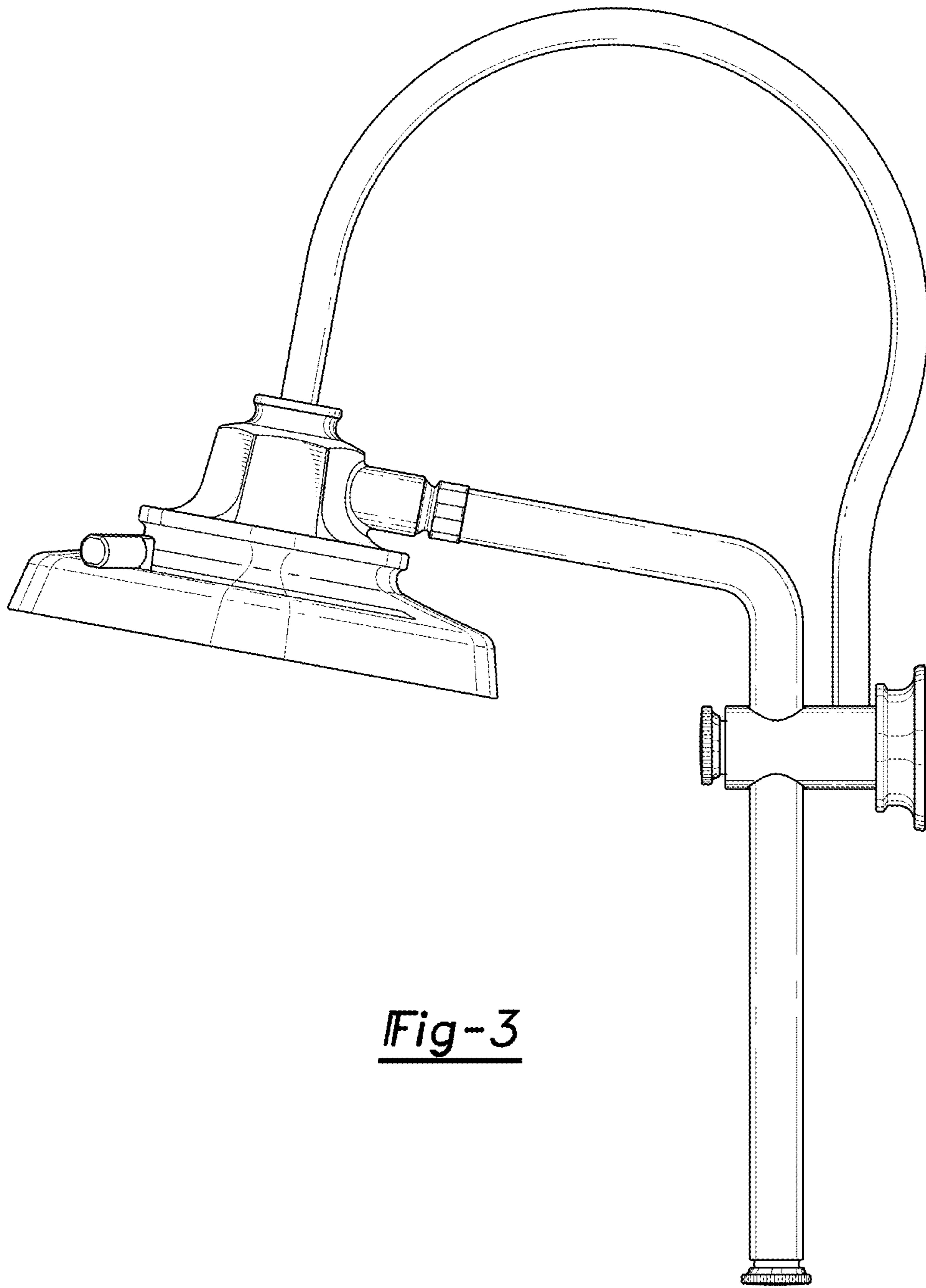


Fig-3

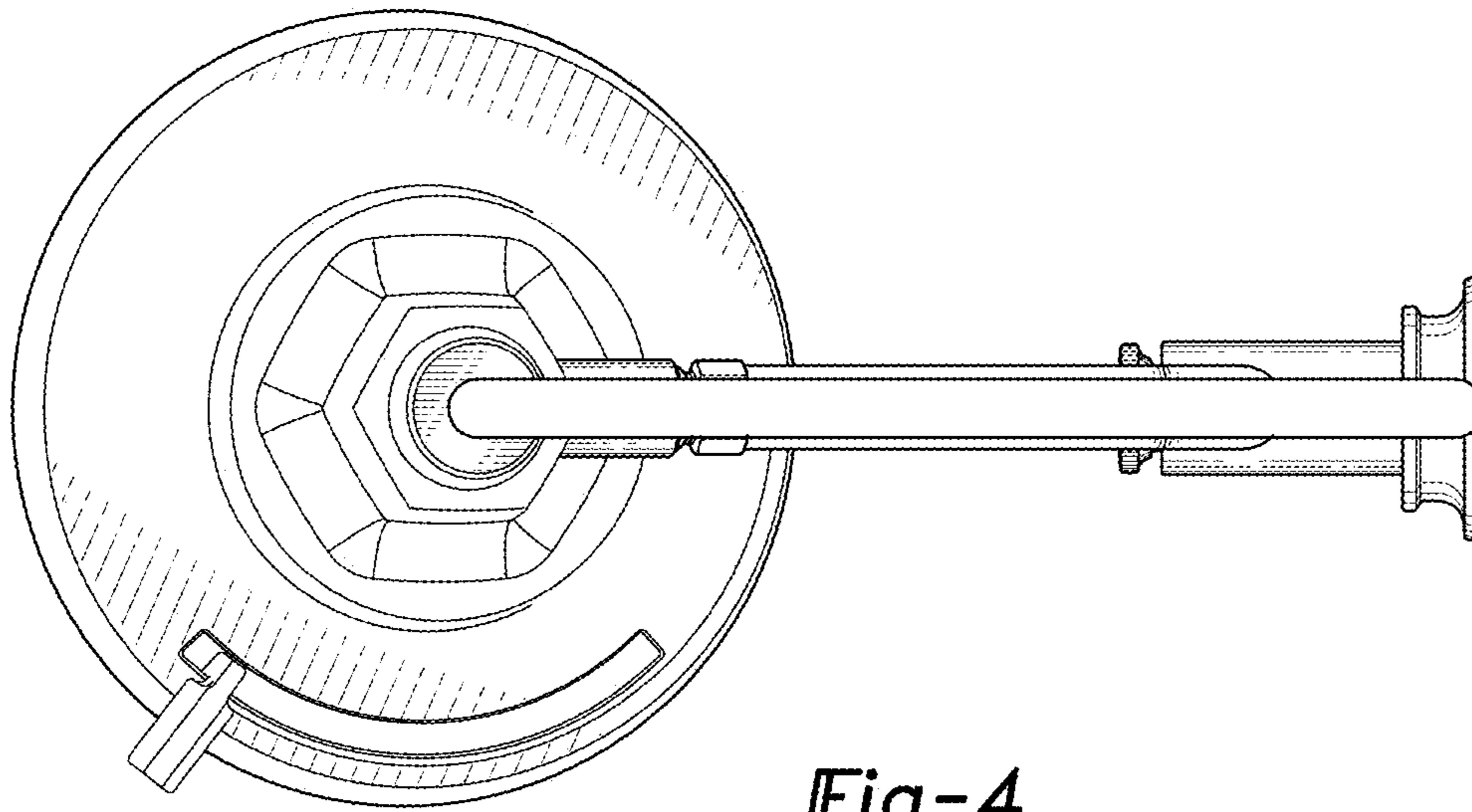


Fig-4

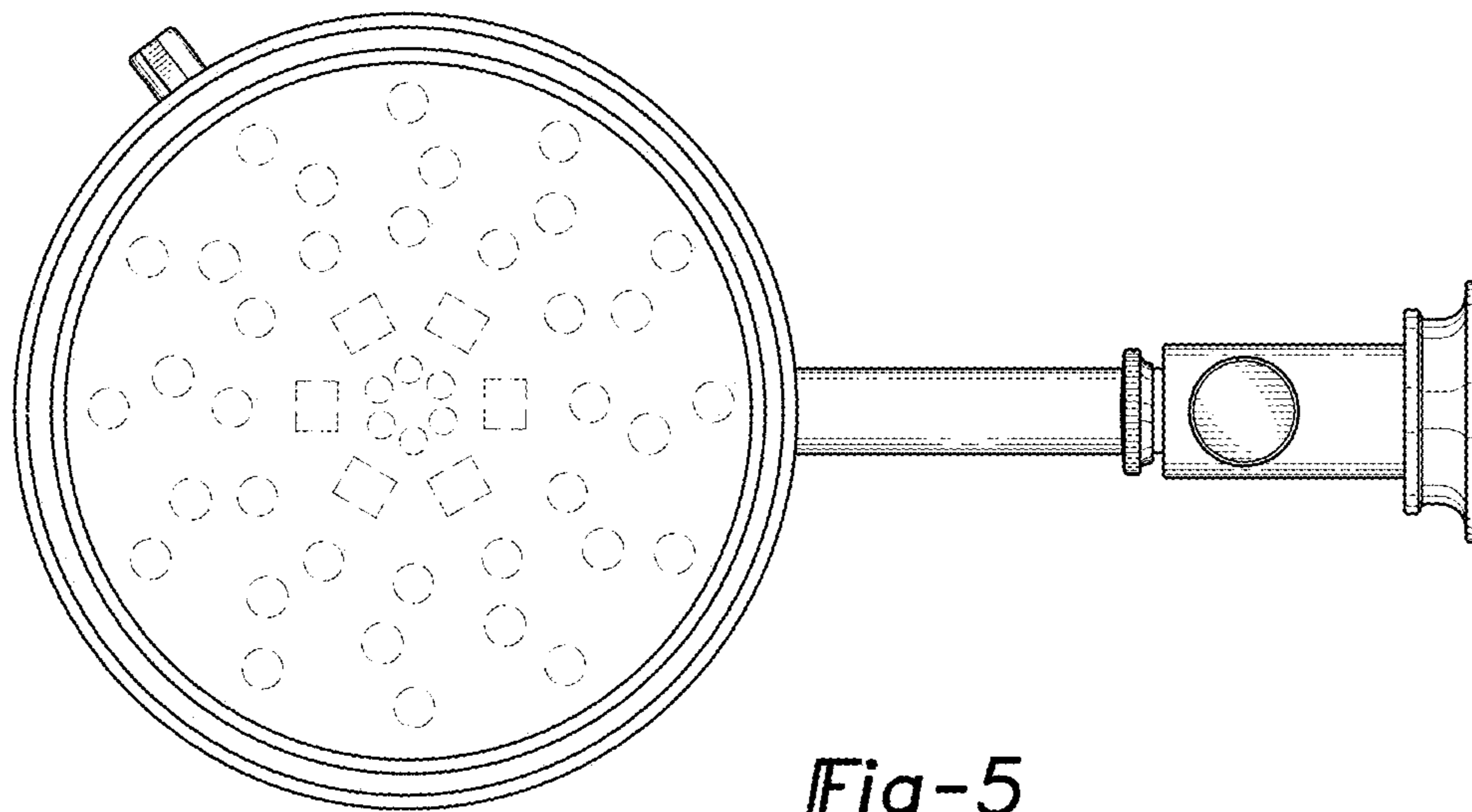


Fig-5