



US00D901624S

(12) **United States Design Patent**  
**Collings et al.**

(10) **Patent No.:** **US D901,624 S**

(45) **Date of Patent:** **\*\* Nov. 10, 2020**

(54) **DISINFECTANT EQUIPMENT**

D695,114 S \* 12/2013 McDonald ..... D9/440  
D701,764 S \* 4/2014 Brower ..... D9/440  
D747,200 S \* 1/2016 Chiorazzi ..... D9/440

(Continued)

(71) Applicant: **Cotswold Dairy Equipment Co Ltd**

(72) Inventors: **Simon Collings**, Berkshire (GB);  
**Andrew Carson**, Berkshire (GB);  
**Harry Mason**, Berkshire (GB); **Tom**  
**Hamilton**, Berkshire (GB); **Ryan**  
**Fenton**, Berkshire (GB); **Jeremy Hugo**,  
Oxfordshire (GB)

FOREIGN PATENT DOCUMENTS

EP 0869748 4/2005  
EP 2482640 7/2015

(73) Assignee: **COTSWOLD DIARY EQUIPMENT**  
**CO LTD (GB)**

<https://www.idc.uk.com/news/2018/udder-disinfection-system-developed-for-cotswold-dairy-equipment/> (Year: 2018).\*

(\*\*) Term: **15 Years**

*Primary Examiner* — Manpreet S Matharu

*Assistant Examiner* — Keith J Wilson

(21) Appl. No.: **29/663,379**

(74) *Attorney, Agent, or Firm* — Gardner Groff &  
Greenwald, PC

(22) Filed: **Sep. 14, 2018**

(30) **Foreign Application Priority Data**

May 18, 2018 (EM) ..... 005272317

(51) **LOC (12) Cl.** ..... **23-01**

(52) **U.S. Cl.**  
USPC ..... **D23/213**

(58) **Field of Classification Search**  
USPC ..... D9/435, 440, 450; D23/211, 213, 224,  
D23/225, 226  
CPC ..... A62C 31/02; A62C 31/03; B65D 47/247;  
B65D 47/24; B65D 47/32; B65D 47/06;  
B05B 1/304; B05B 1/308  
See application file for complete search history.

OTHER PUBLICATIONS

(57) **CLAIM**

The ornamental design for disinfectant equipment, substantially as shown and described.

**DESCRIPTION**

FIG. 1 is a perspective view of disinfectant equipment according to the new design.

FIG. 2 is a first side view of the disinfectant equipment of FIG. 1.

FIG. 3 is a second side view of the disinfectant equipment of FIG. 1.

FIG. 4 is a first end view of the disinfectant equipment of FIG. 1.

FIG. 5 is a second end view of the disinfectant equipment of FIG. 1.

FIG. 6 is a top view of the disinfectant equipment of FIG. 1; and,

FIG. 7 is a bottom view of the disinfectant equipment of FIG. 1.

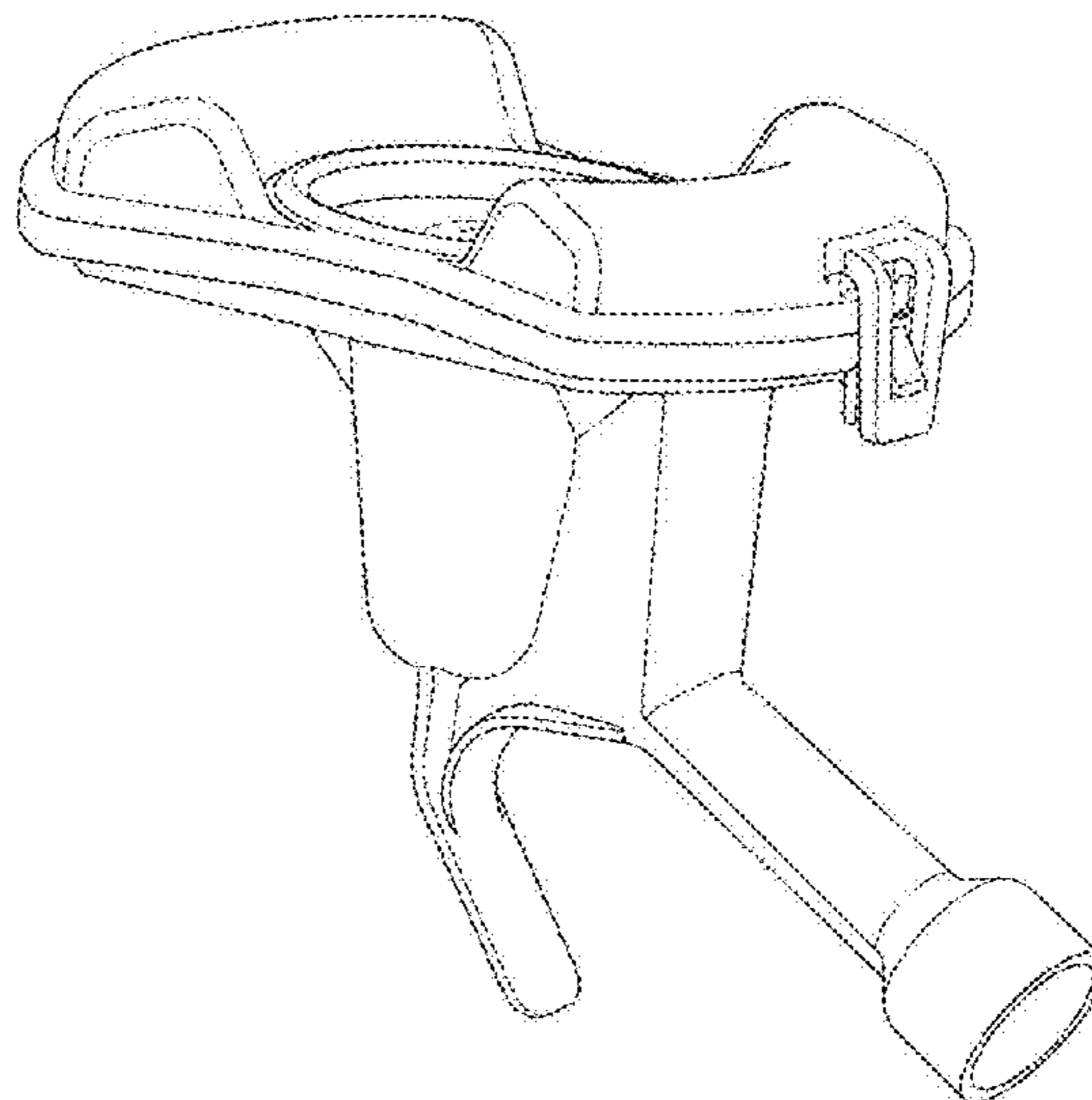
The broken lines shown represent portions of disinfectant equipment and form no part of the claimed design.

(56) **References Cited**

U.S. PATENT DOCUMENTS

D314,513 S \* 2/1991 Hardin ..... D23/229  
D445,872 S \* 7/2001 Ketcham ..... D23/225  
D468,801 S \* 1/2003 Hubmann ..... D23/225  
D509,560 S \* 9/2005 Hubmann ..... D23/213  
D529,575 S \* 10/2006 Birrenkott ..... D23/223  
D537,915 S \* 3/2007 Hubmann ..... D23/213

**1 Claim, 4 Drawing Sheets**



(56)

**References Cited**

U.S. PATENT DOCUMENTS

D774,163 S *	12/2016	Solakian .....	D23/213
D821,541 S *	6/2018	McDonnell .....	D23/213
D830,122 S *	10/2018	Seiders .....	D7/398
D859,584 S *	9/2019	Ramsuer .....	D23/213
2009/0084324 A1	4/2009	Hiley	

\* cited by examiner

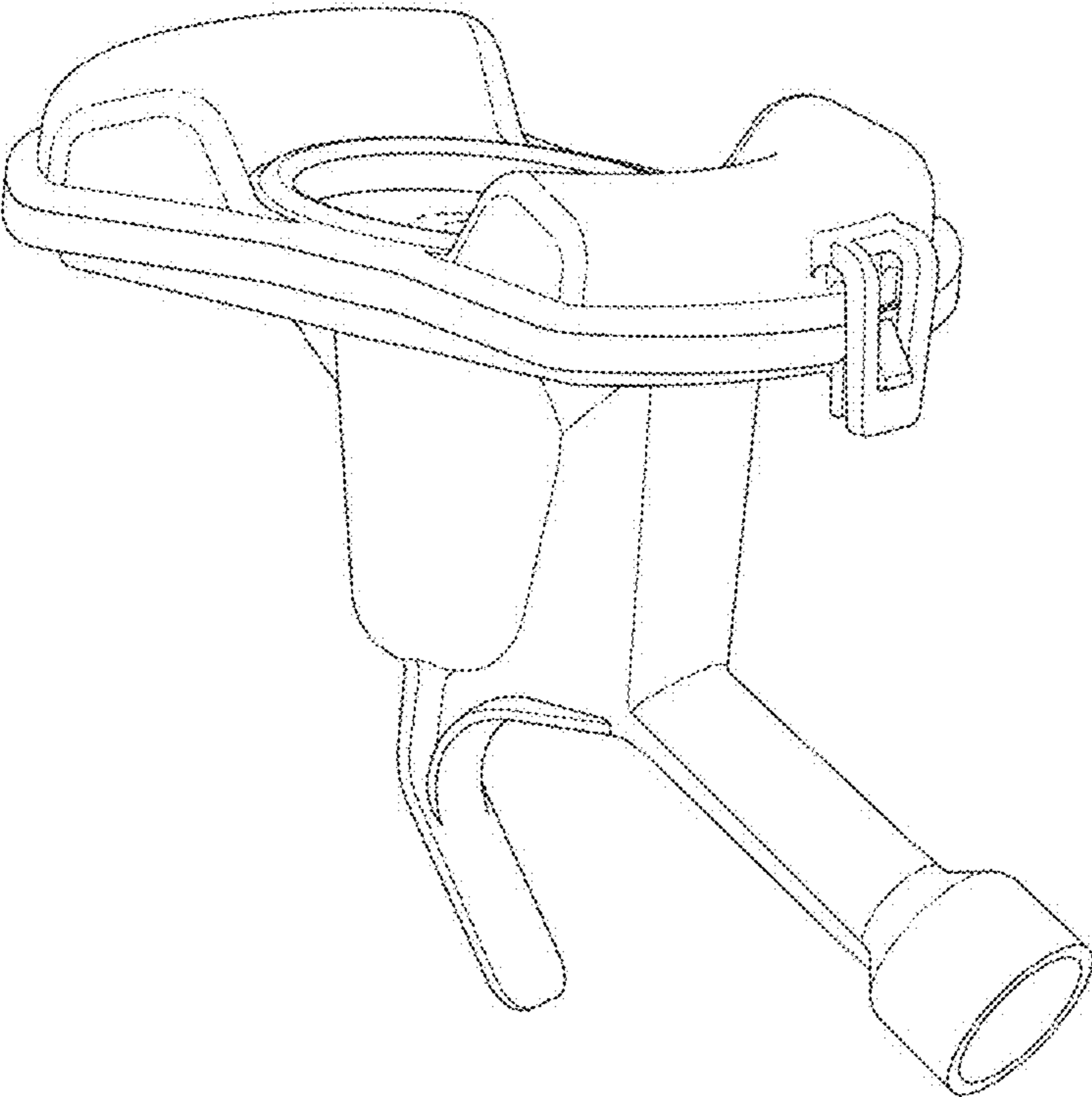


Figure 1

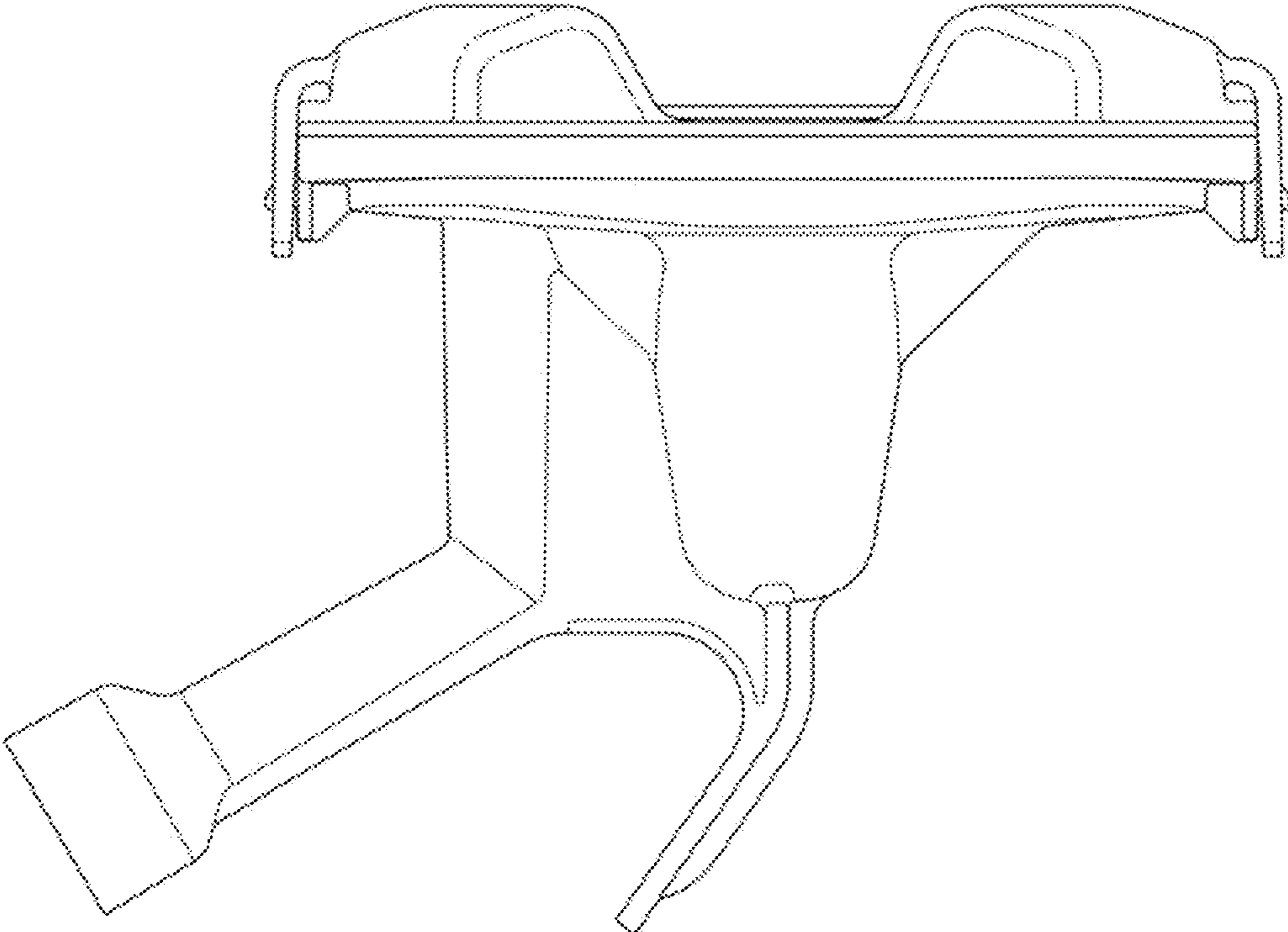


Figure 2

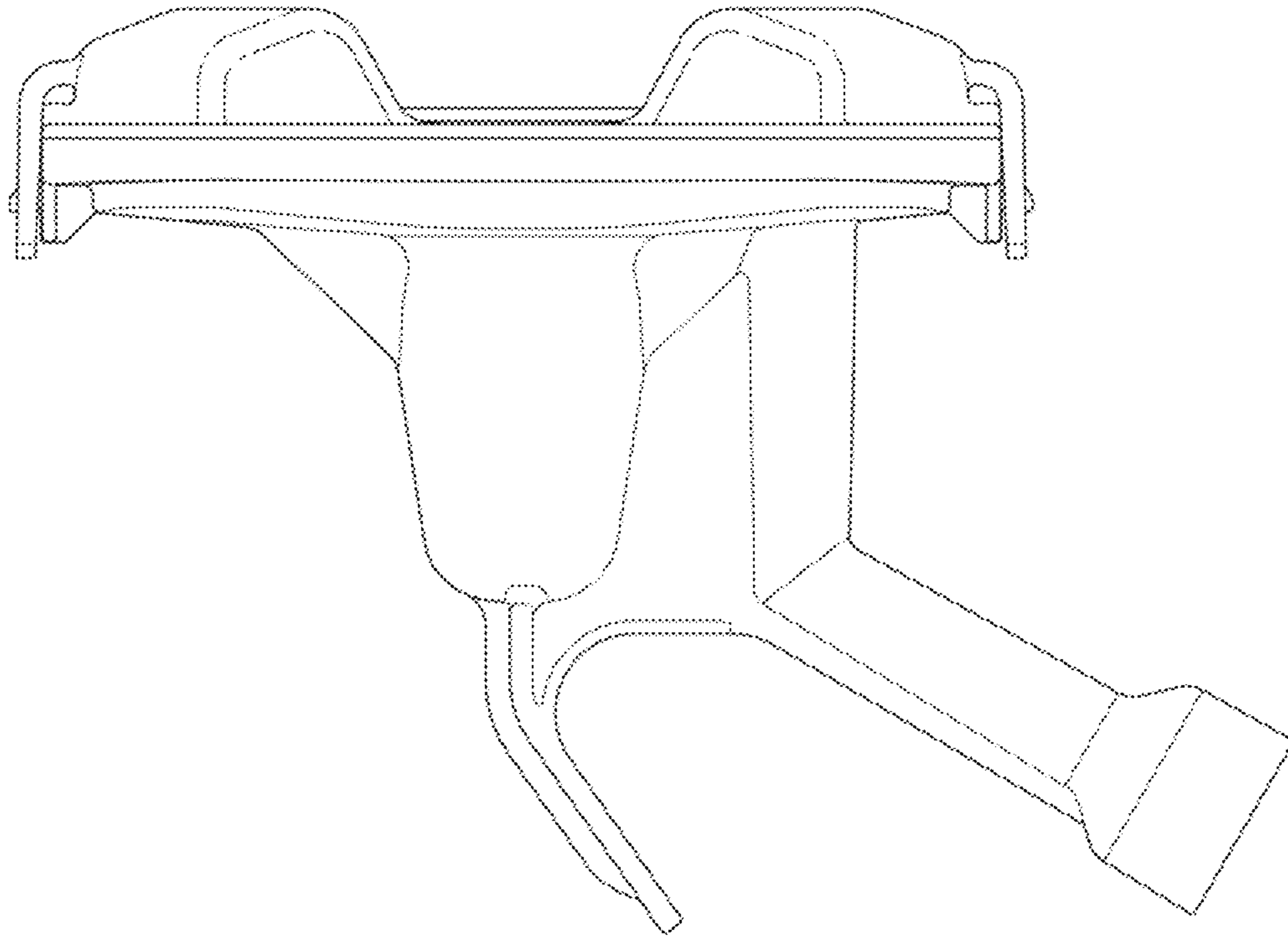


Figure 3

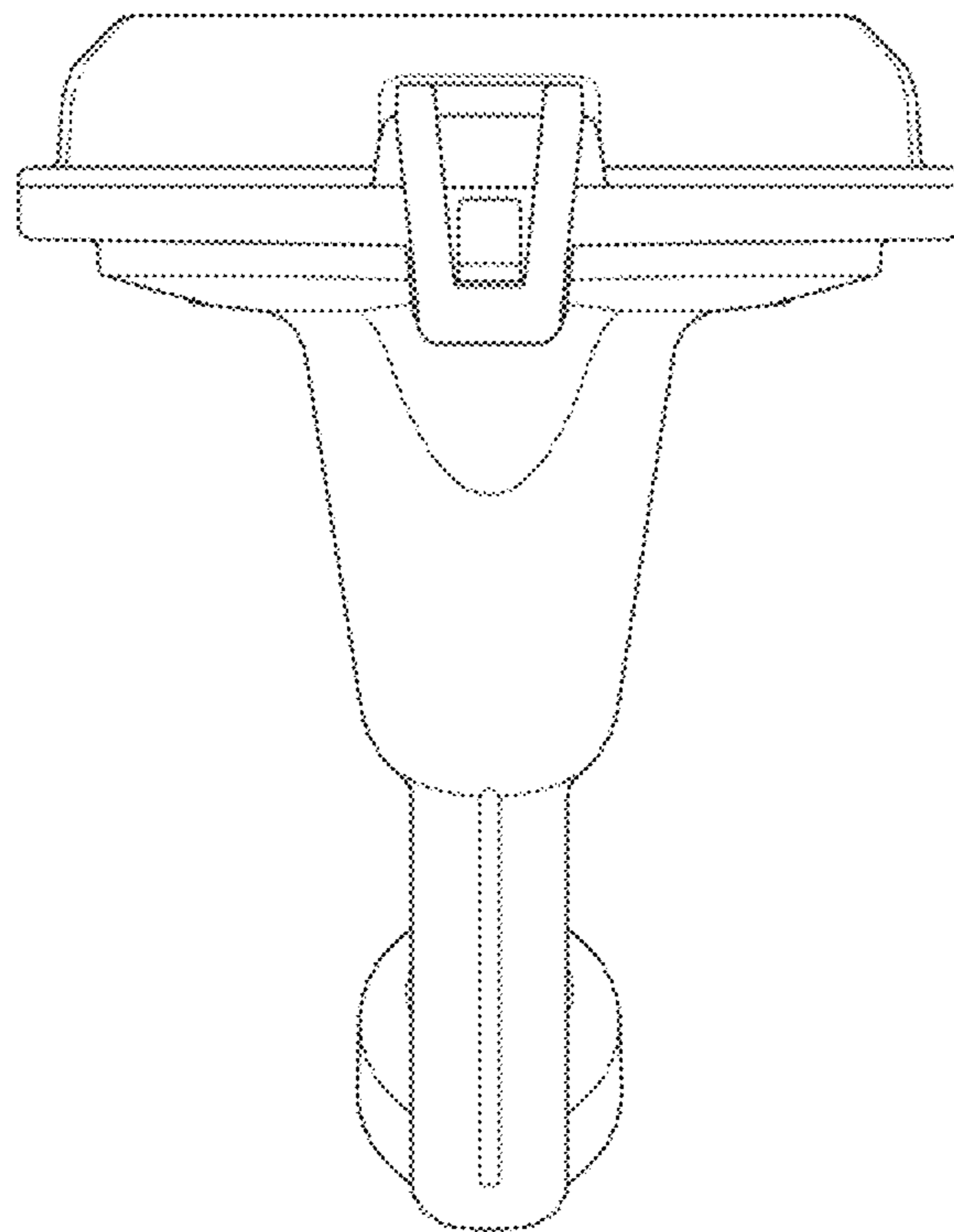


Figure 4

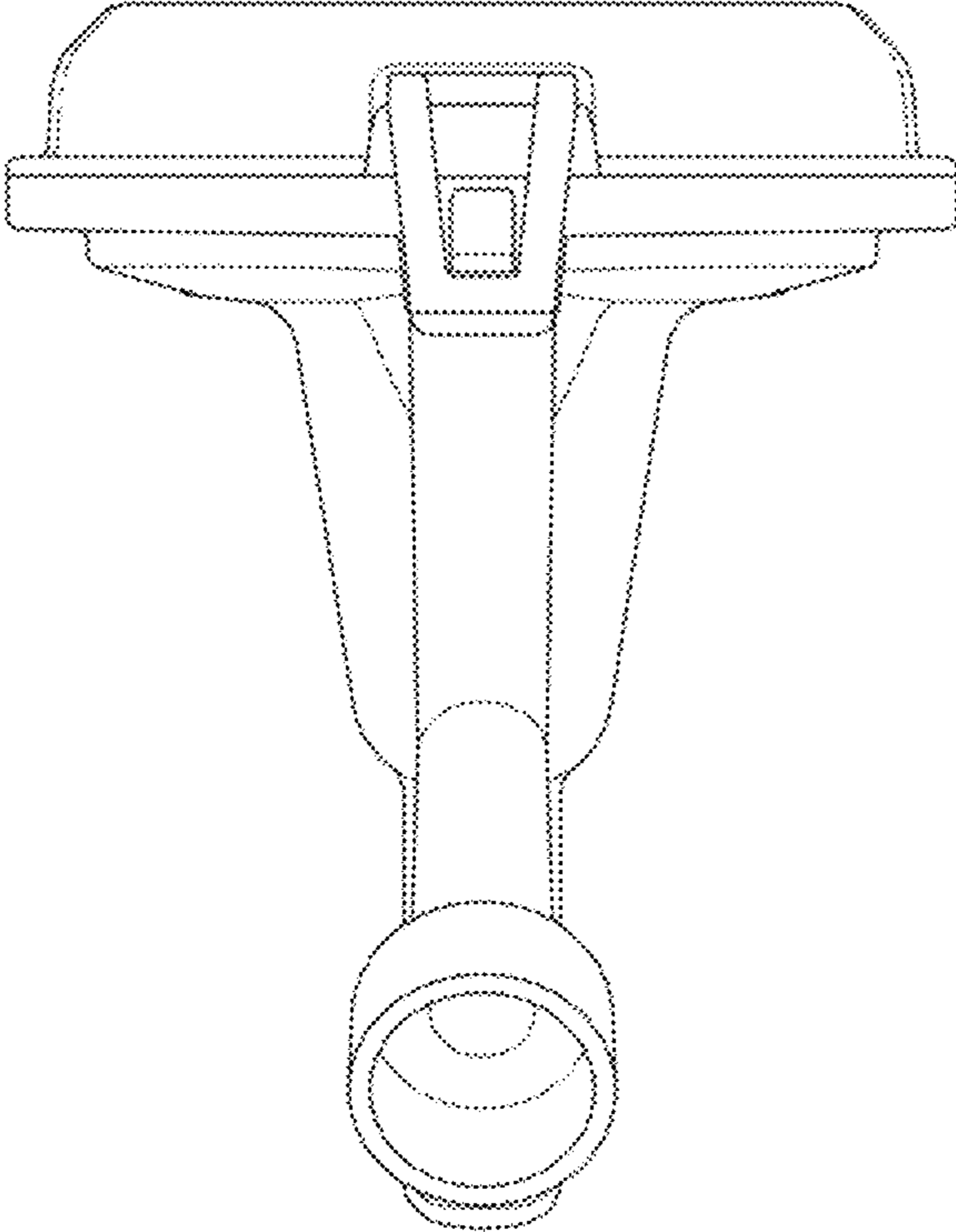


Figure 5

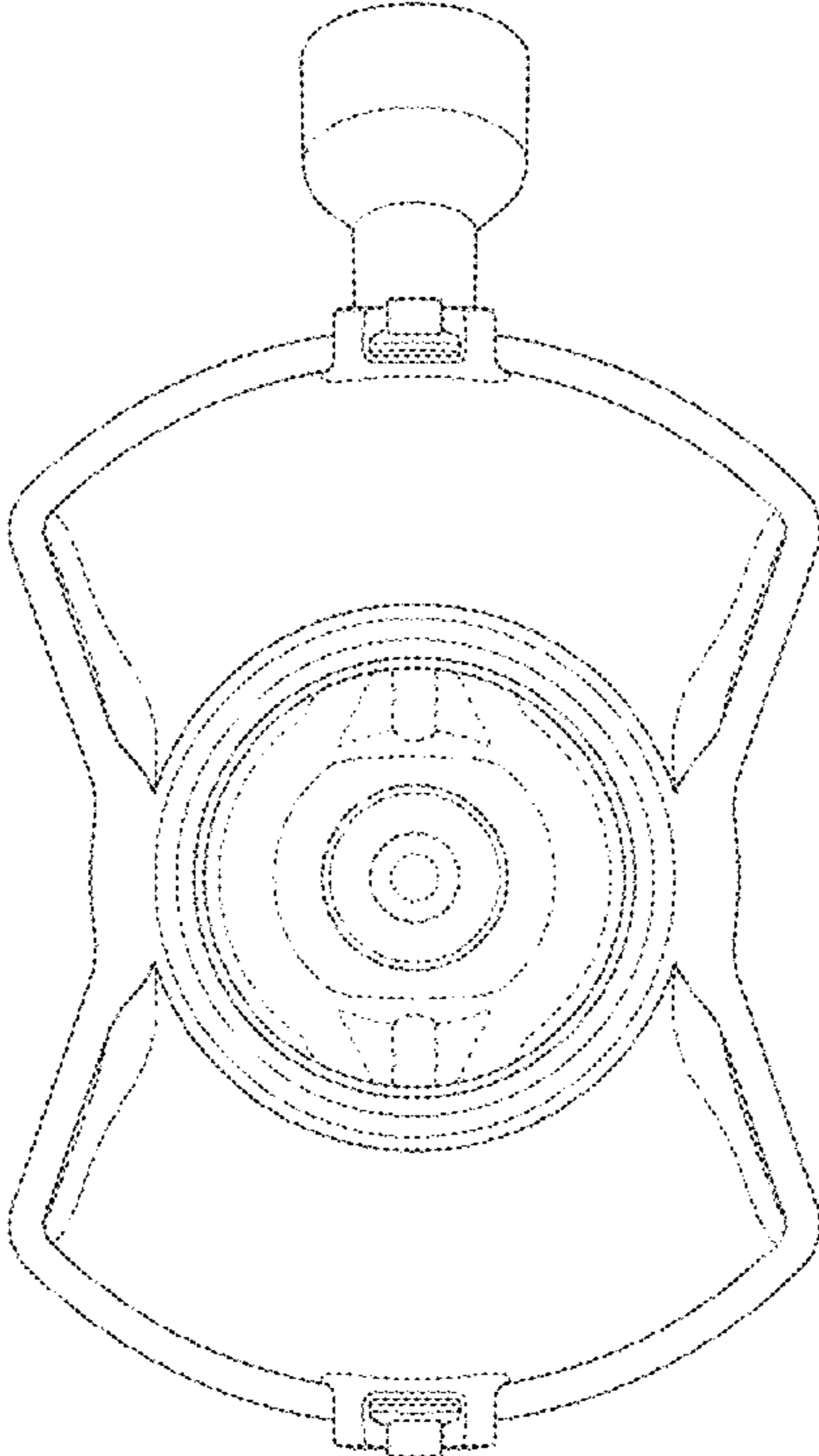


Figure 6

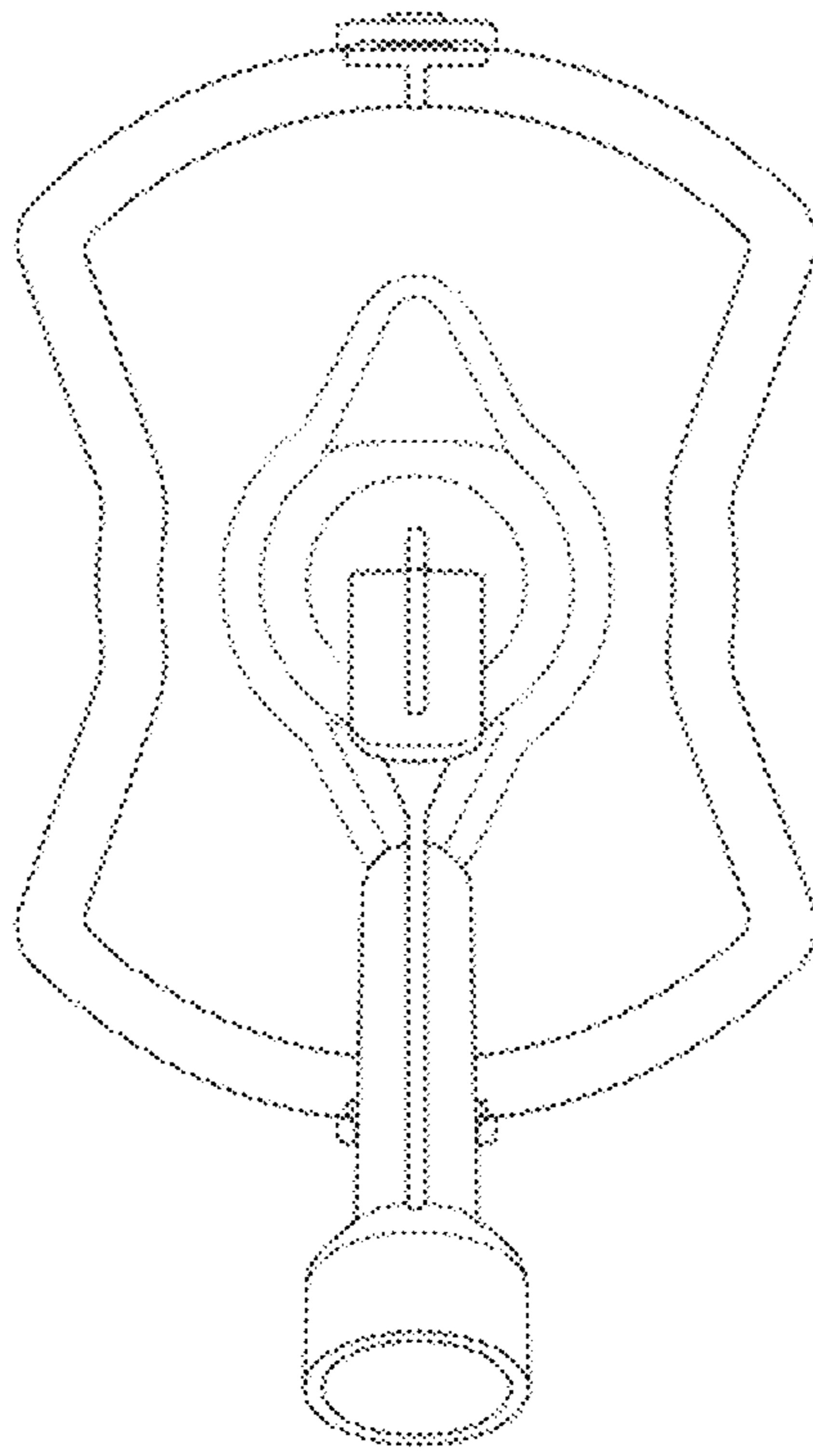


Figure 7