



US00D901622S

(12) **United States Design Patent** (10) **Patent No.:** **US D901,622 S**
Muck (45) **Date of Patent:** **** Nov. 10, 2020**

(54) **IN-POND FILTER**

www.webbsdirect.co.uk/oase-filtral-uvc-1500-pond-filted> (Year:2020)
(Year: 2020).*

(71) Applicant: **OASE GmbH**, Hörstel-Riesenbeck
(DE)

(Continued)

(72) Inventor: **Thorsten Muck**,
Nachrodt-Wiblingwerde (DE)

Primary Examiner — Sheryl Lane
Assistant Examiner — Mark T. Philipps
(74) *Attorney, Agent, or Firm* — Durgon E. Huckett

(73) Assignee: **OASE GmbH**, Hörstel-Riesenbeck
(DE)

(57) **CLAIM**

The ornamental design for an in-pond filter, as shown and described.

(**) Term: **15 Years**

DESCRIPTION

(21) Appl. No.: **29/679,662**

FIG. 1 is a perspective view of the in-pond filter according to my new design;

(22) Filed: **Feb. 8, 2019**

FIG. 2 is a top plan view thereof;

(30) **Foreign Application Priority Data**

Aug. 27, 2018 (EM) 005620762-0001
Aug. 27, 2018 (EM) 005620762-0002
Aug. 27, 2018 (EM) 005620762-0003

FIG. 3 is a bottom plan view thereof;

FIG. 4 is a front view thereof;

FIG. 5 is a rear view thereof;

FIG. 6 is a first side view thereof;

FIG. 7 is a second side view thereof;

FIG. 8 is a perspective view of an elongate variation of the in-pond filter according to my new design;

FIG. 9 is a top plan view of the variation of FIG. 8;

FIG. 10 is a bottom plan view of the variation of FIG. 8;

FIG. 11 is a front view of the variation of FIG. 8;

FIG. 12 is a rear view of the variation of FIG. 8;

FIG. 13 is a first side view of the variation of FIG. 8;

FIG. 14 is a second side view of the variation of FIG. 8;

FIG. 15 is a perspective view of another elongate variation of the in-pond filter according to my new design;

FIG. 16 is a top plan view of the variation of FIG. 15;

FIG. 17 is a bottom plan view of the variation of FIG. 15;

FIG. 18 is a front view of the variation of FIG. 15;

FIG. 19 is a rear view of the variation of FIG. 15;

FIG. 20 is a first side view of the variation of FIG. 15; and,

FIG. 21 is a second side view of the variation of FIG. 15.

The broken lines are included for the purpose of illustrating portions of the in-pond filter that form no part of the claimed design.

(51) **LOC (12) Cl.** **23-01**

(52) **U.S. Cl.**
USPC **D23/210; D15/8**

(58) **Field of Classification Search**
USPC D15/7-9; D23/210, 365
(Continued)

(56) **References Cited**

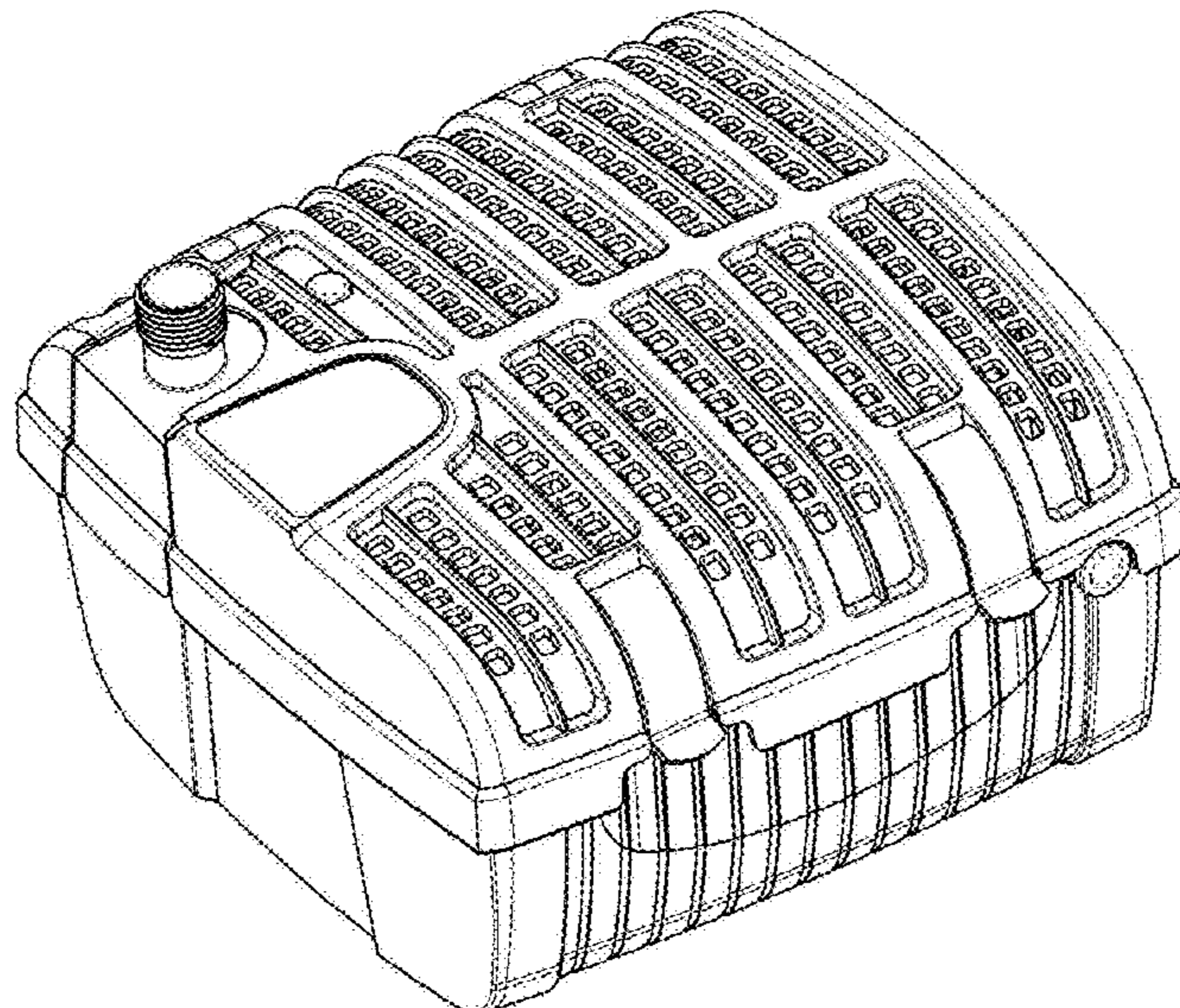
U.S. PATENT DOCUMENTS

3,119,774 A * 1/1964 Arak A01K 63/045
210/167.23
D291,825 S * 9/1987 Goldman D23/210
(Continued)

OTHER PUBLICATIONS

Webbs Garden Center, Oase Filtral UVC 1500 Pond Filter, [site visited Apr. 16, 2020]. For Sale on Webbsdirect.com, URL:<https://

1 Claim, 21 Drawing Sheets



(58) **Field of Classification Search**

CPC A01K 63/04; A01K 63/045; A01K 63/10;
A01K 61/00; A01K 63/00; A01K 63/003;
A01K 63/042; A01K 63/047; C02F
2103/007; C02F 1/001; C02F 2303/24;
Y02W 10/15

See application file for complete search history.

8,475,657 B2 * 7/2013 Wu A01K 63/045
210/167.22
D711,926 S * 8/2014 Tatic D15/7
2005/0066908 A1 * 3/2005 Park A01K 1/031
119/419
2008/0236507 A1 * 10/2008 Conger A01K 1/00
119/417

(56)

References Cited

U.S. PATENT DOCUMENTS

D441,376 S * 5/2001 Gohil D15/7
D446,220 S * 8/2001 Boughton D15/7
D467,653 S * 12/2002 Scott D23/365
D480,127 S * 9/2003 Cox D23/365
D562,349 S * 2/2008 Bulter D15/9
D595,741 S * 7/2009 Dickertmann D15/7
D673,178 S * 12/2012 Tatic D15/8
D684,997 S * 6/2013 Tatic D15/7

OTHER PUBLICATIONS

Pond USA, Danner Pondmaster PM2000 in Pond Filter—2,000
GPH Flow Rate, [site visited Apr. 16, 2020]. For Sale on Pondusa.
com, URL: <[https://www.pondusa.com/product/danner-pondmaster-
pm2000-in-pond-filter/](https://www.pondusa.com/product/danner-pondmaster-pm2000-in-pond-filter/)> (Year:2020) (Year: 2020).*
Aquatic Warehouse, PondMax SF650, [site visited Apr. 16, 2020].
For Sale on Aquaticwarehouse.com, URL: <[https://www.
aquaticwarehouse.com/pondmax-sf650-all-in-one-filter-system](https://www.aquaticwarehouse.com/pondmax-sf650-all-in-one-filter-system)>
(Year:2020) (Year: 2020).*

* cited by examiner

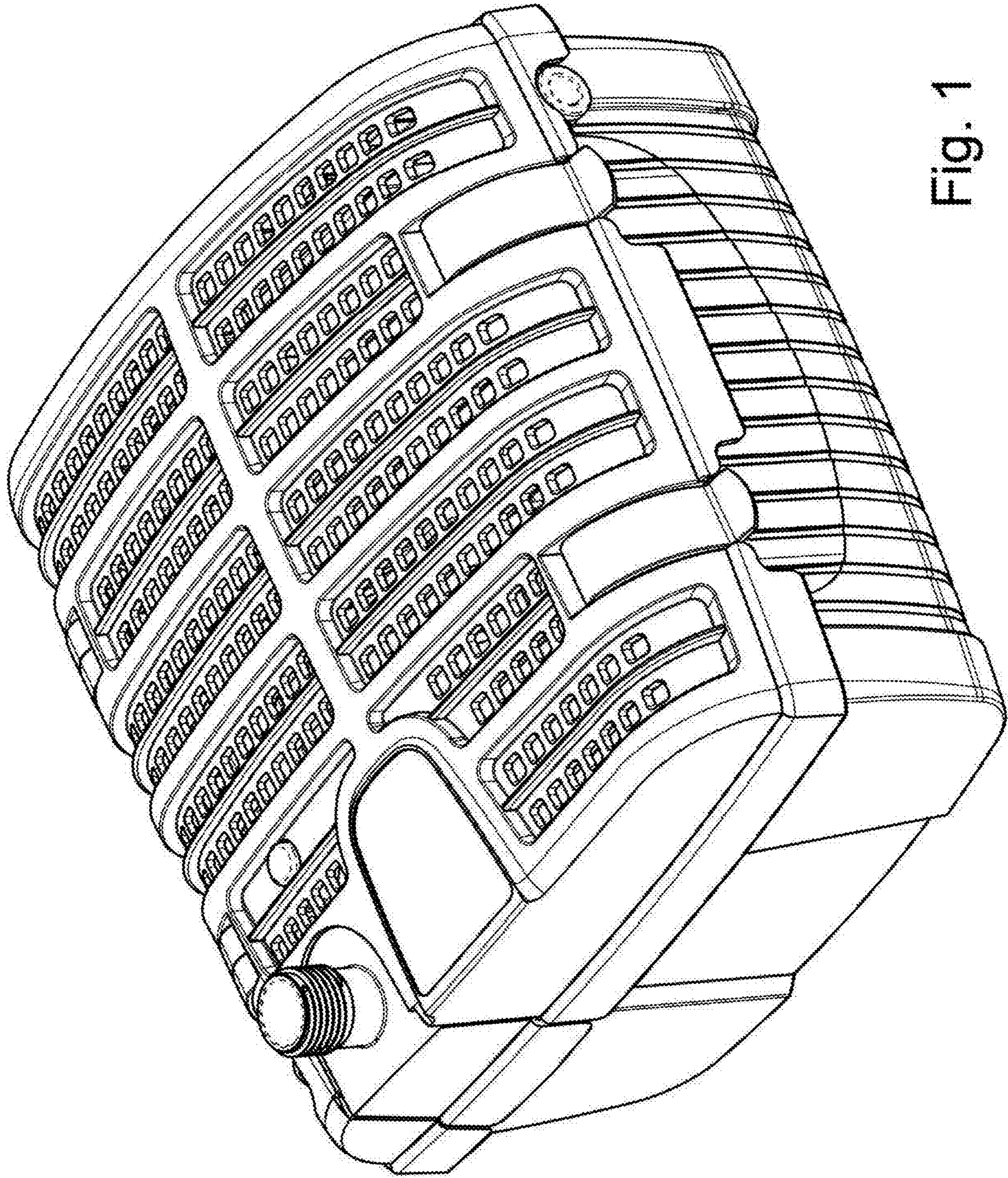


Fig. 1

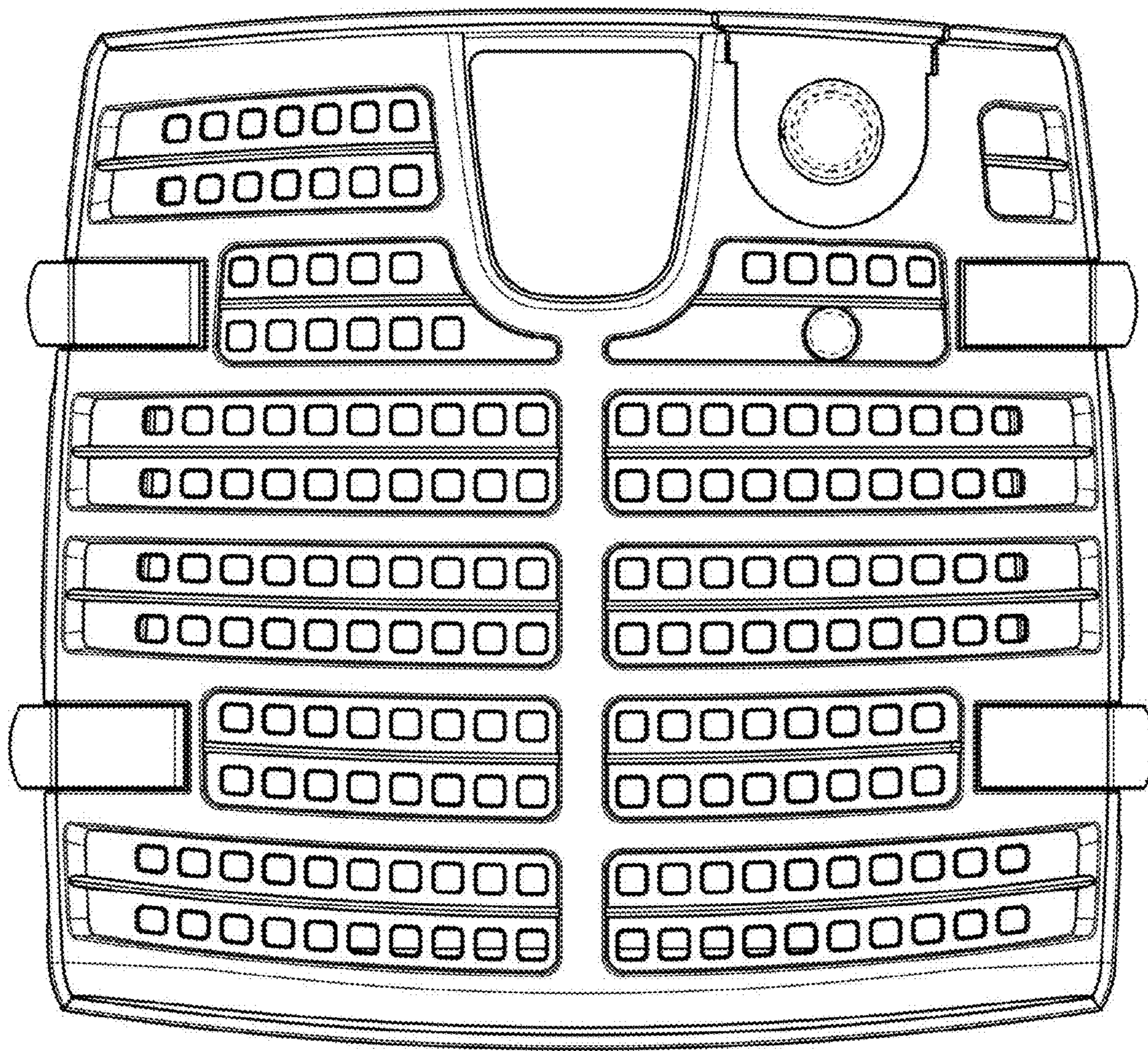


Fig. 2

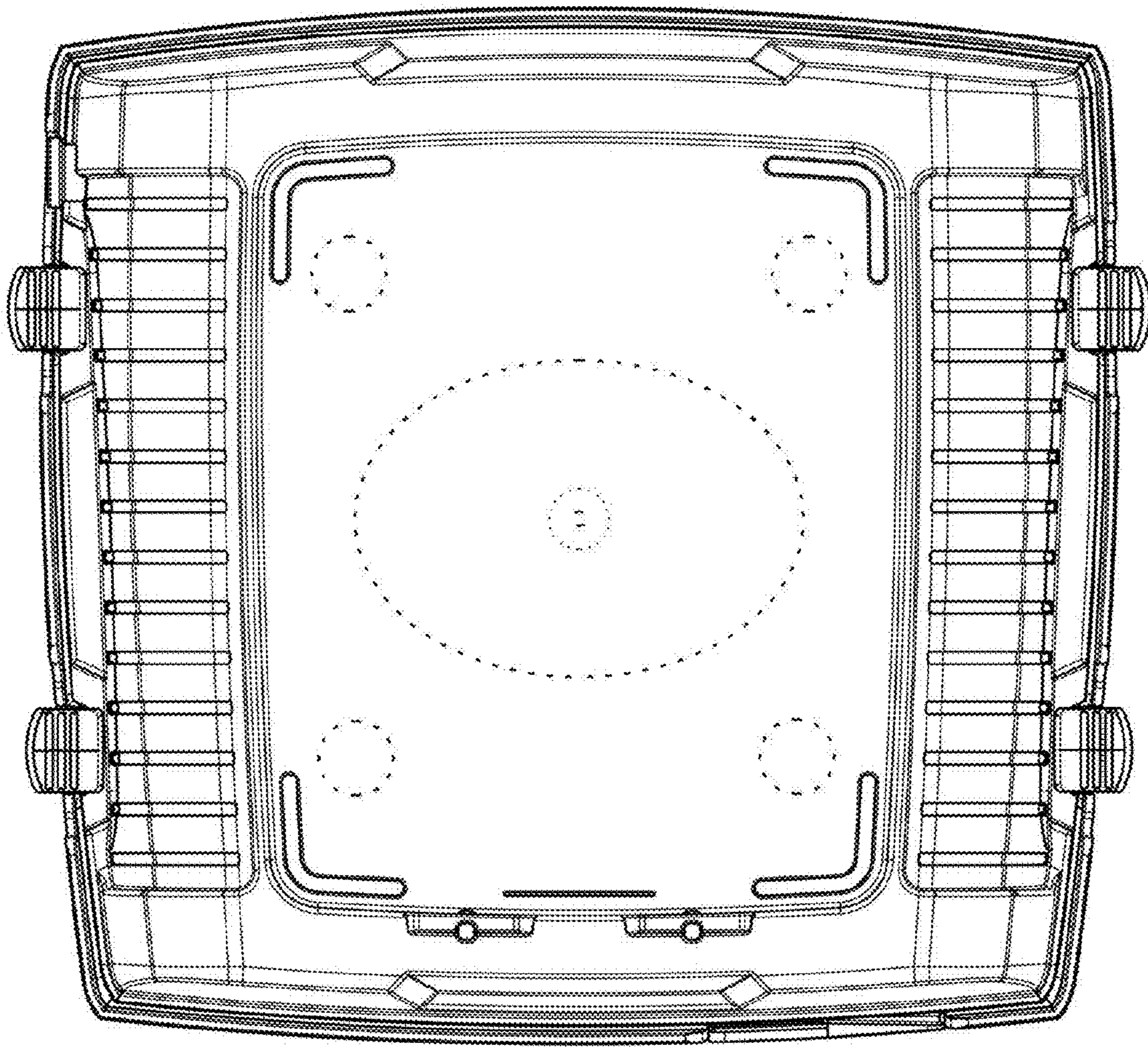


Fig. 3

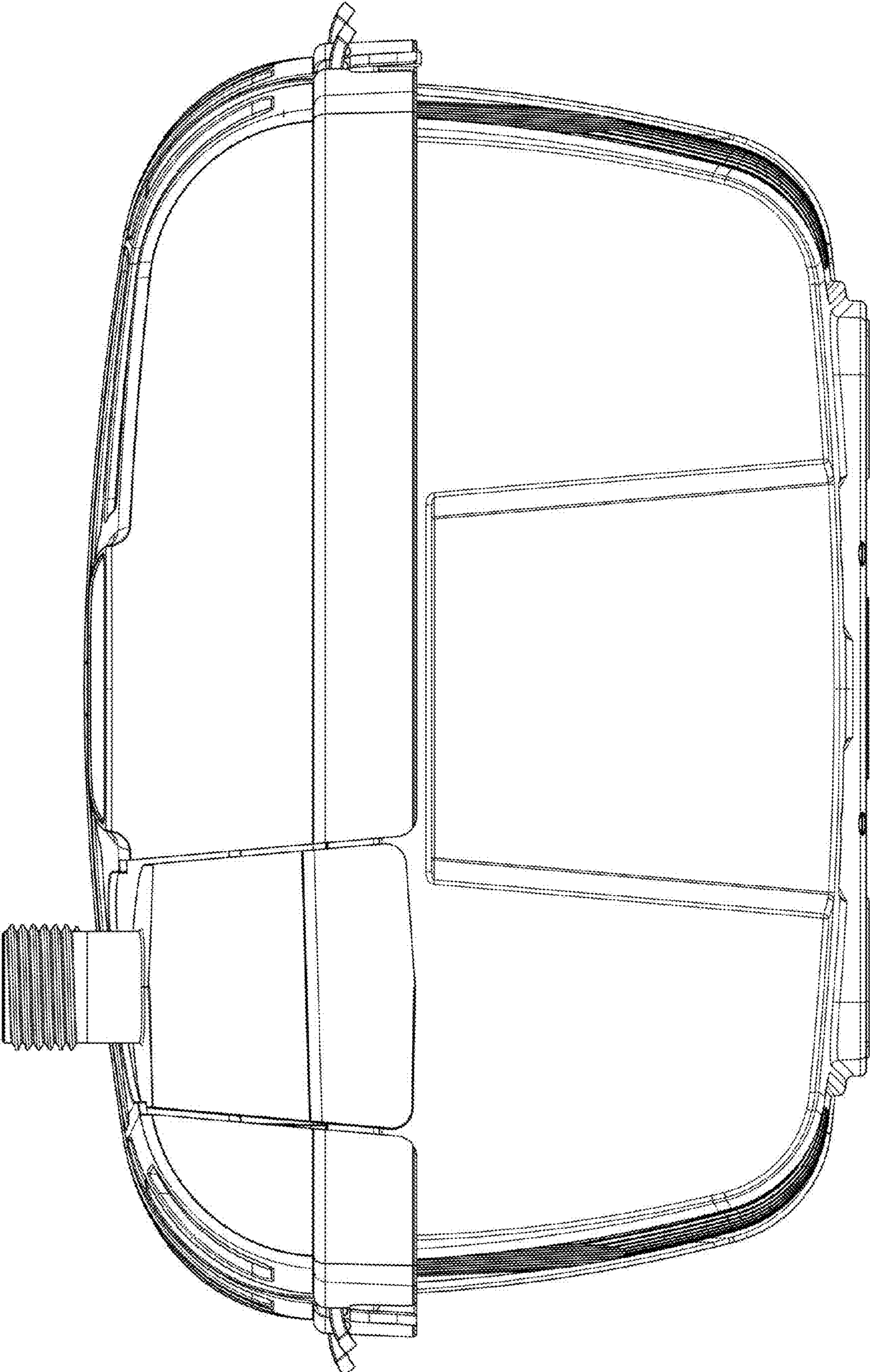
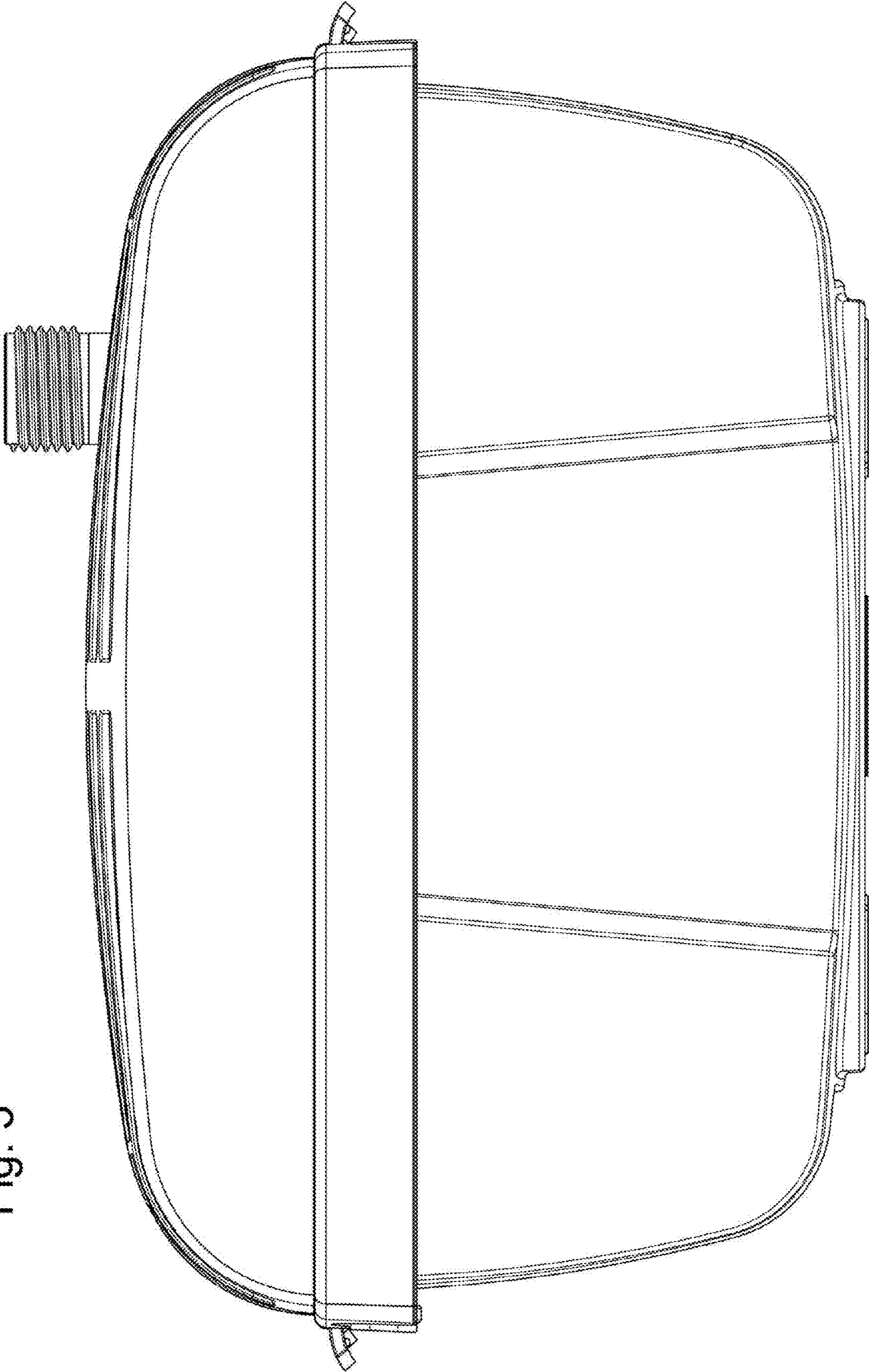


Fig. 4

Fig. 5



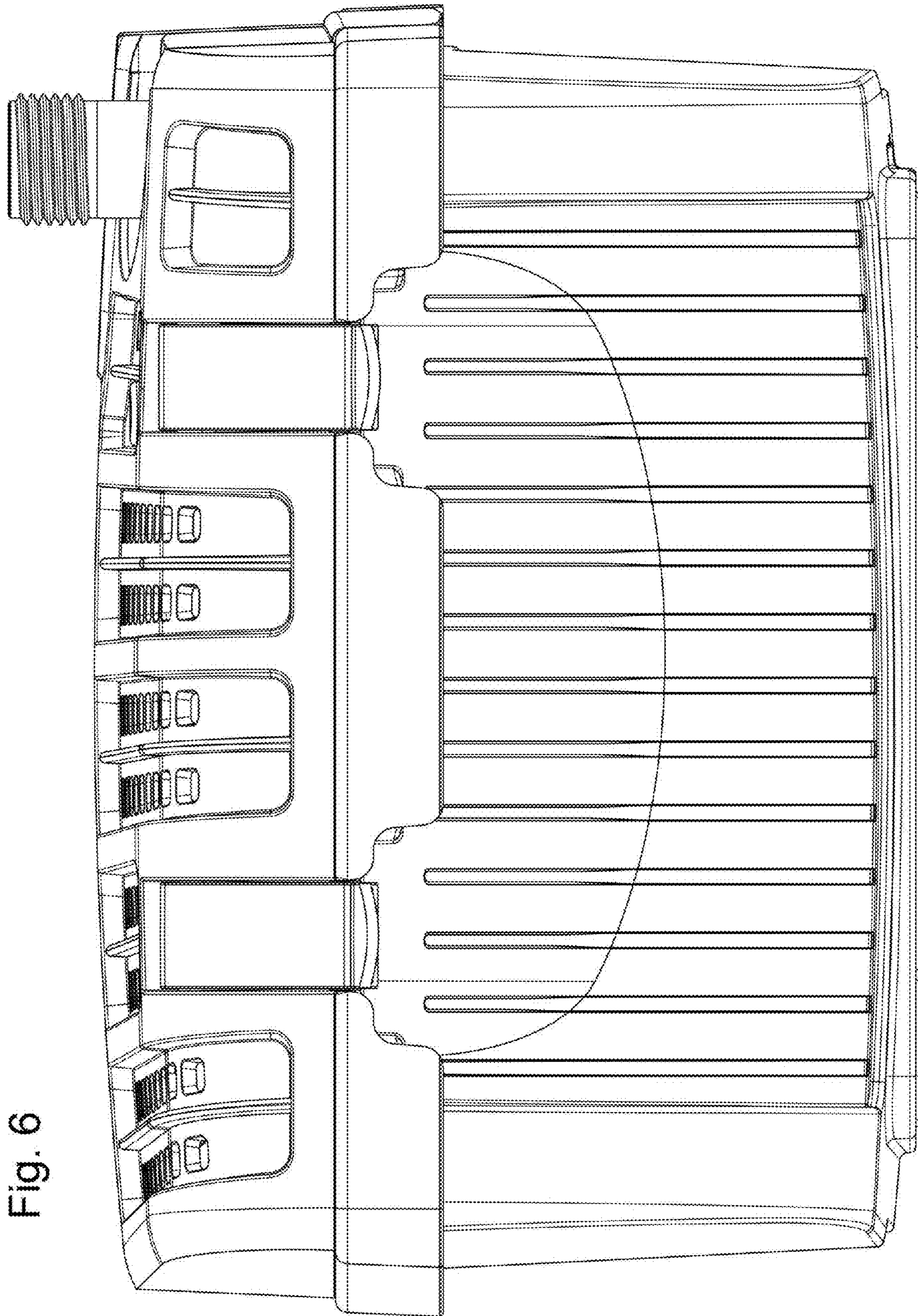
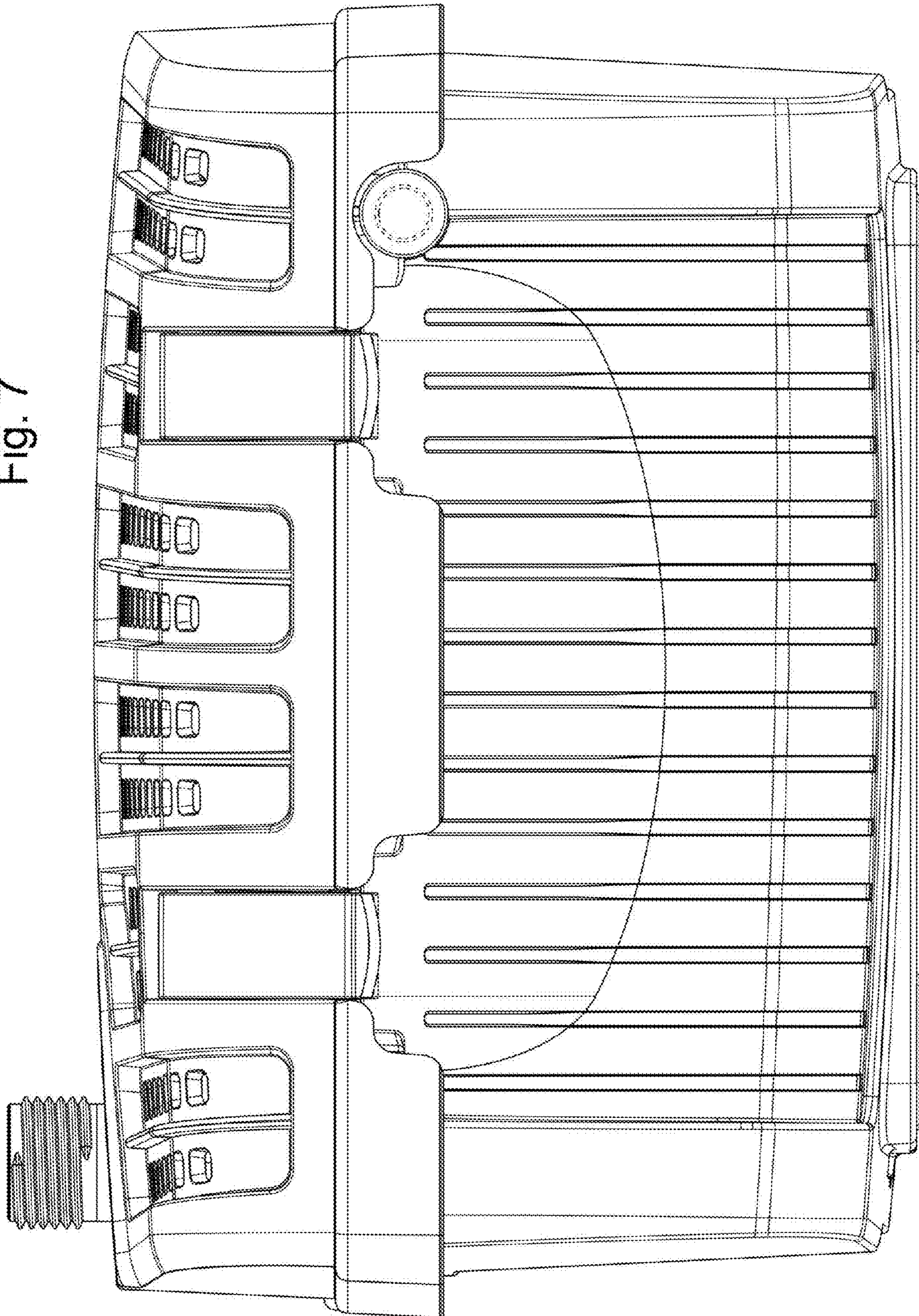


Fig. 6

Fig. 7



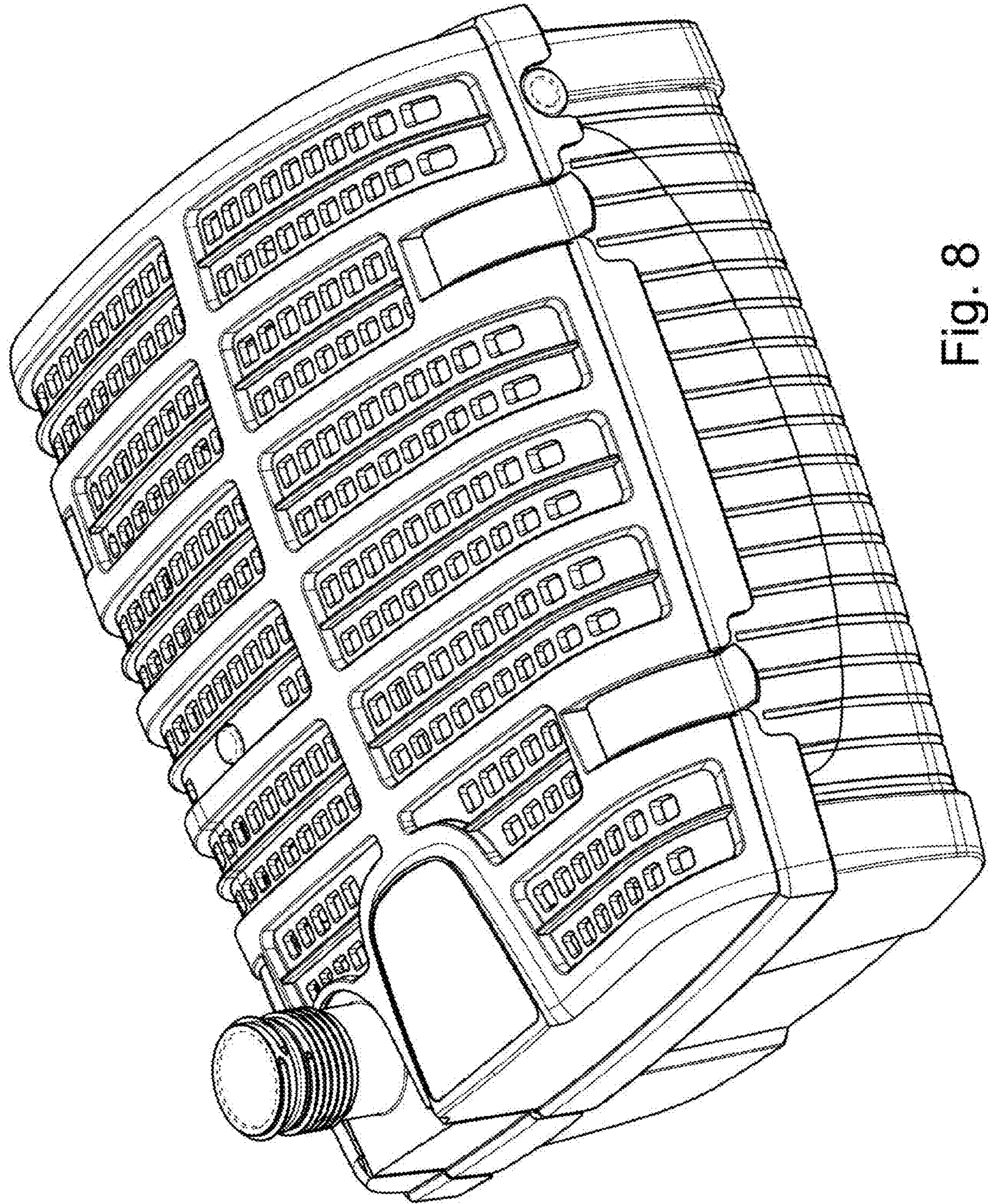


Fig. 8

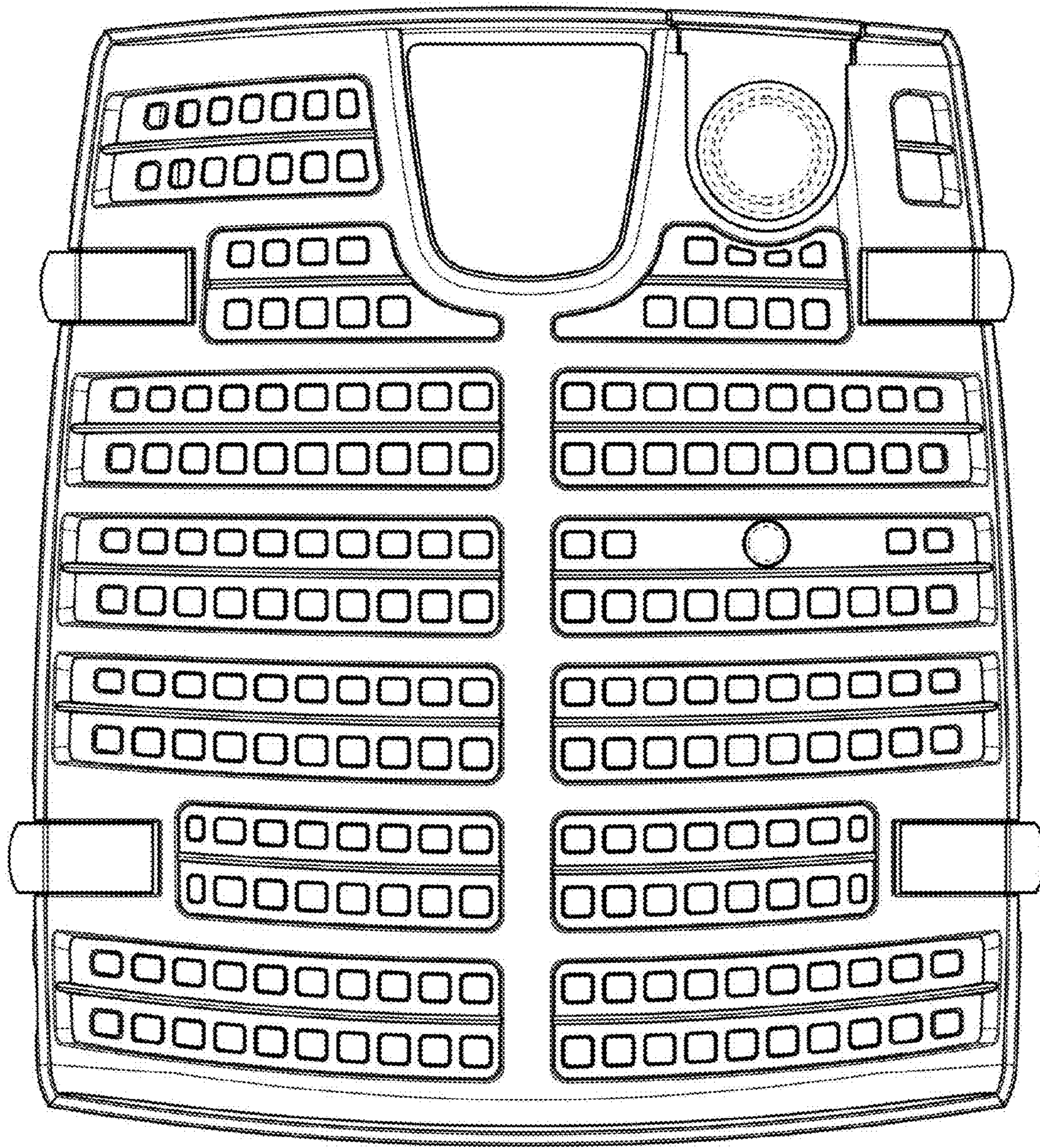


Fig. 9

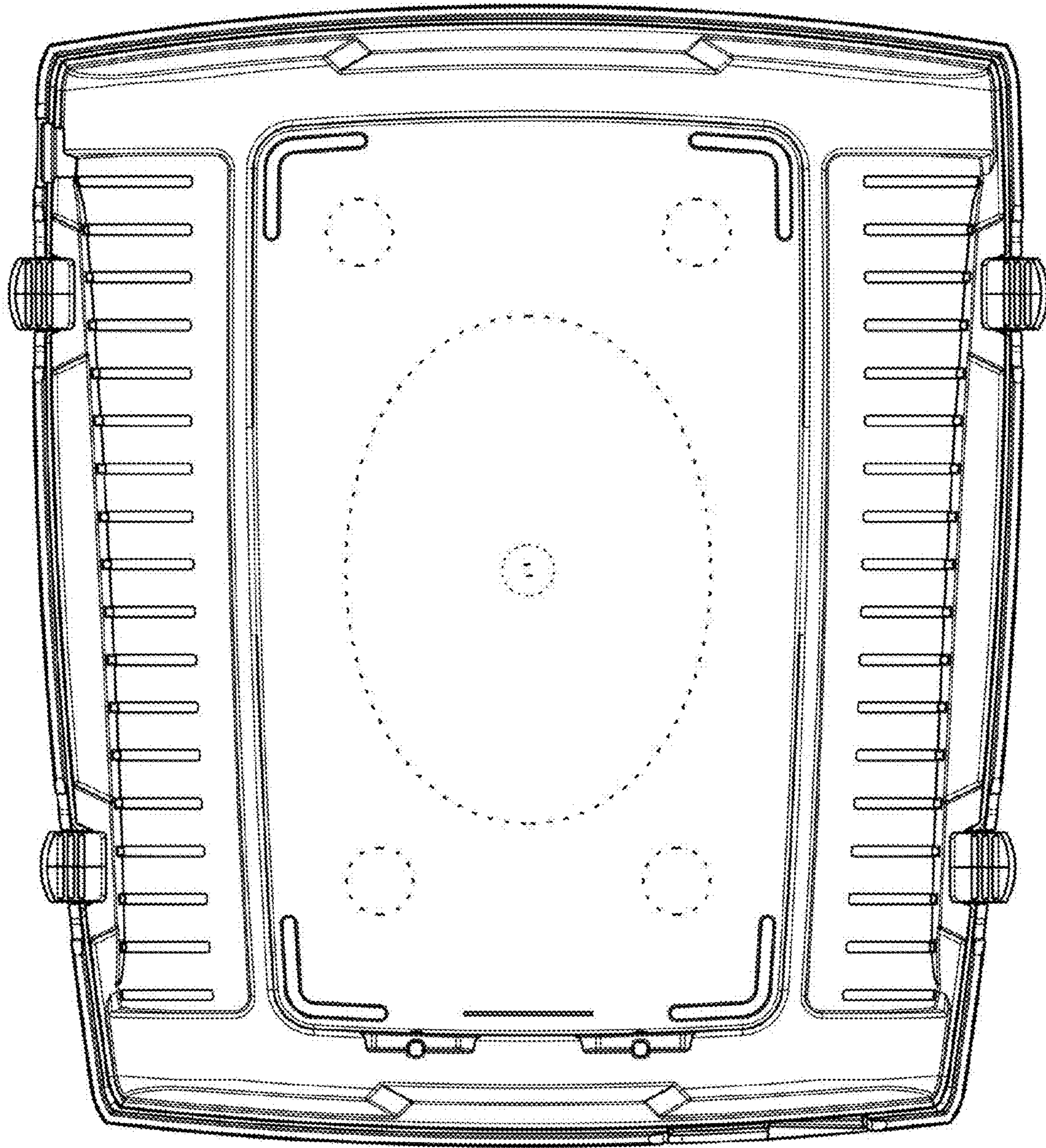


Fig. 10

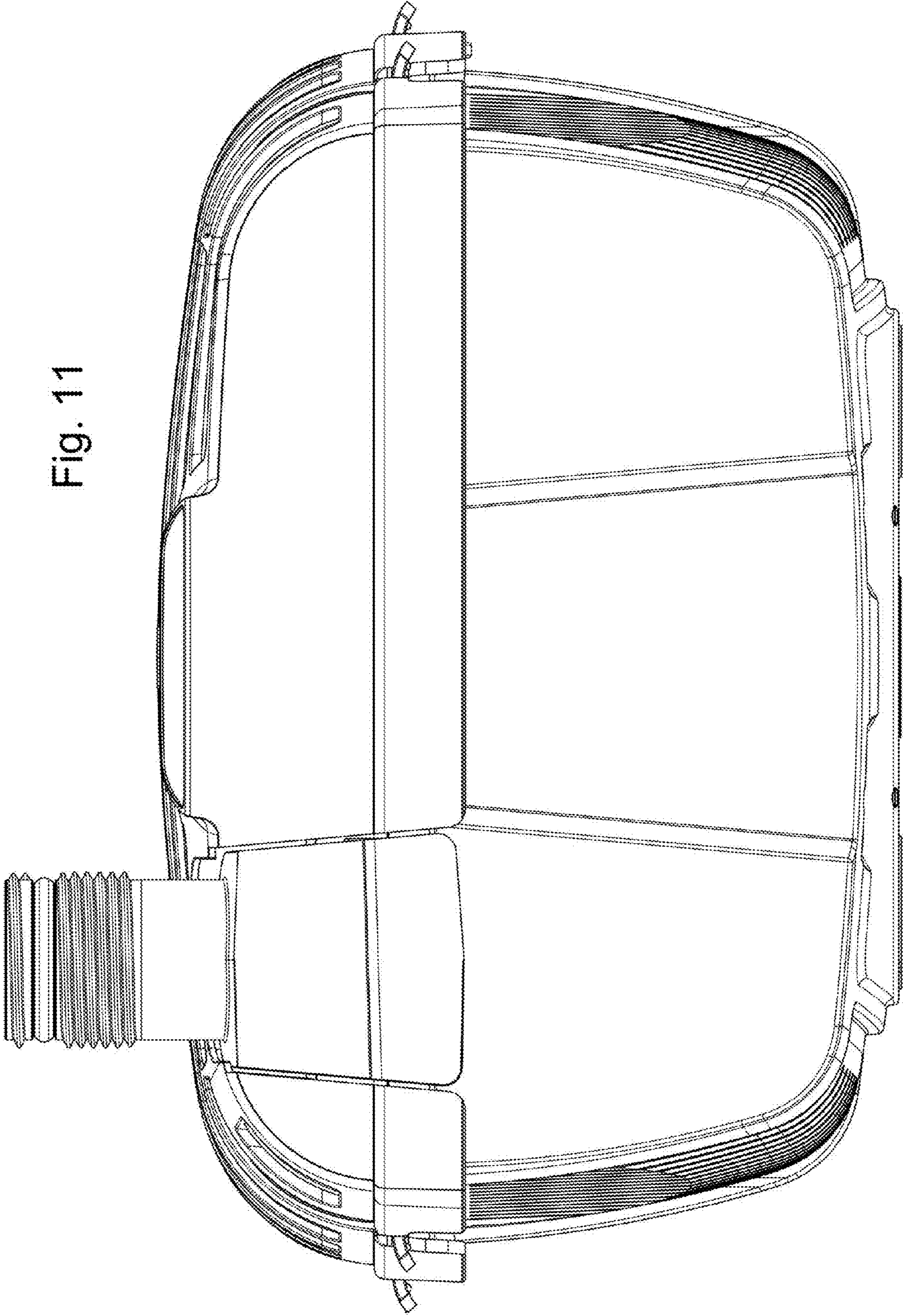


Fig. 11

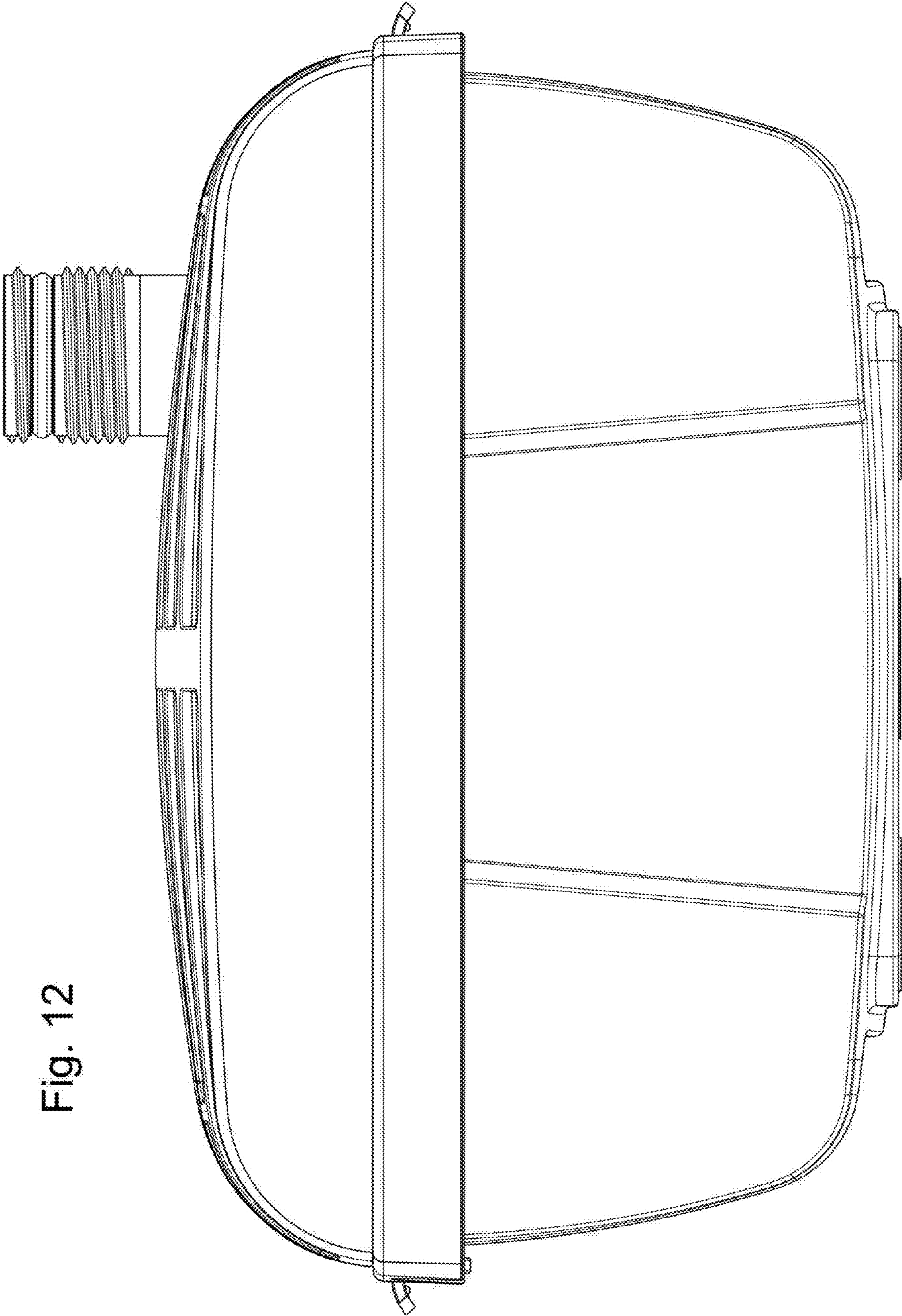


Fig. 12

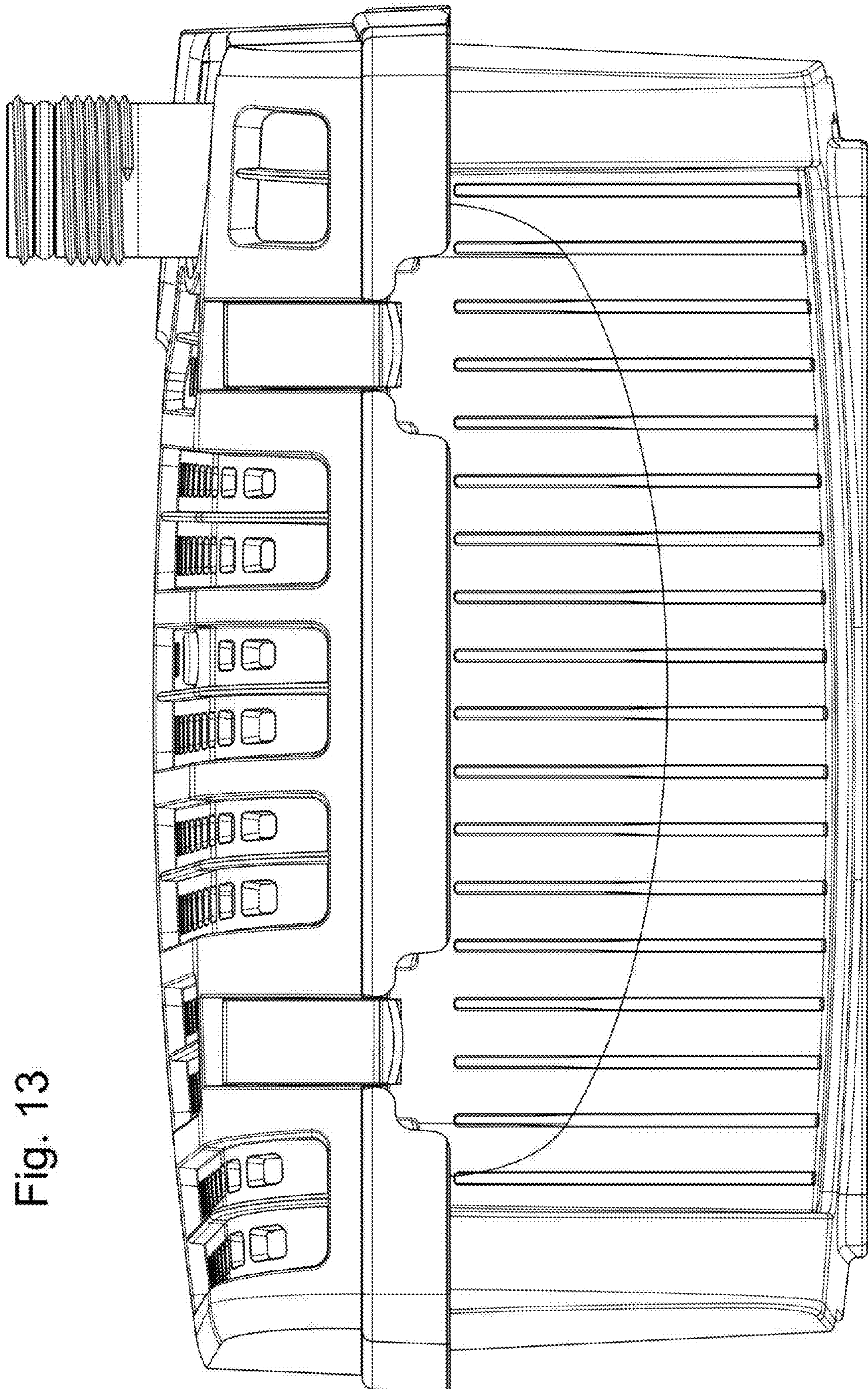
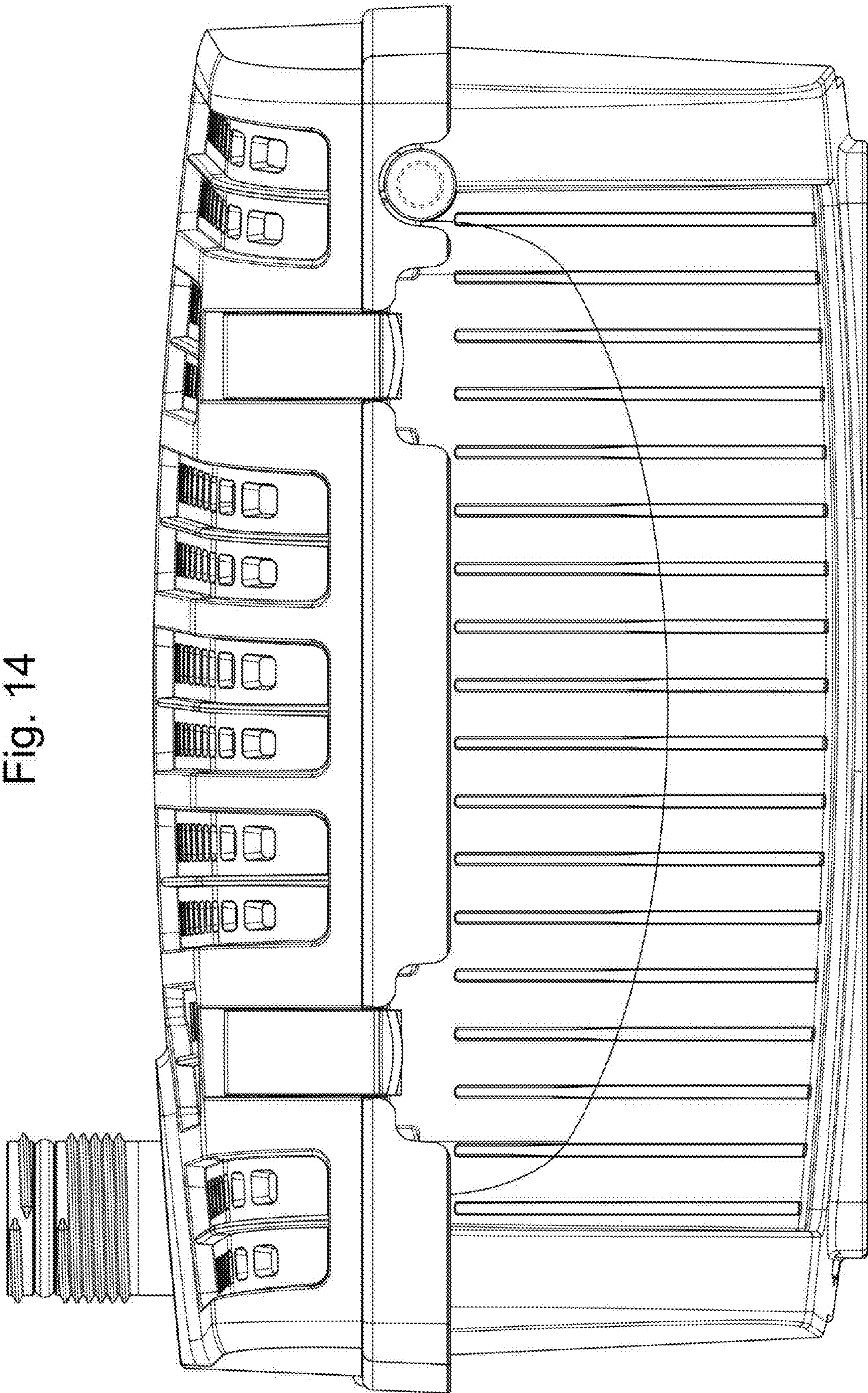


Fig. 13

Fig. 14



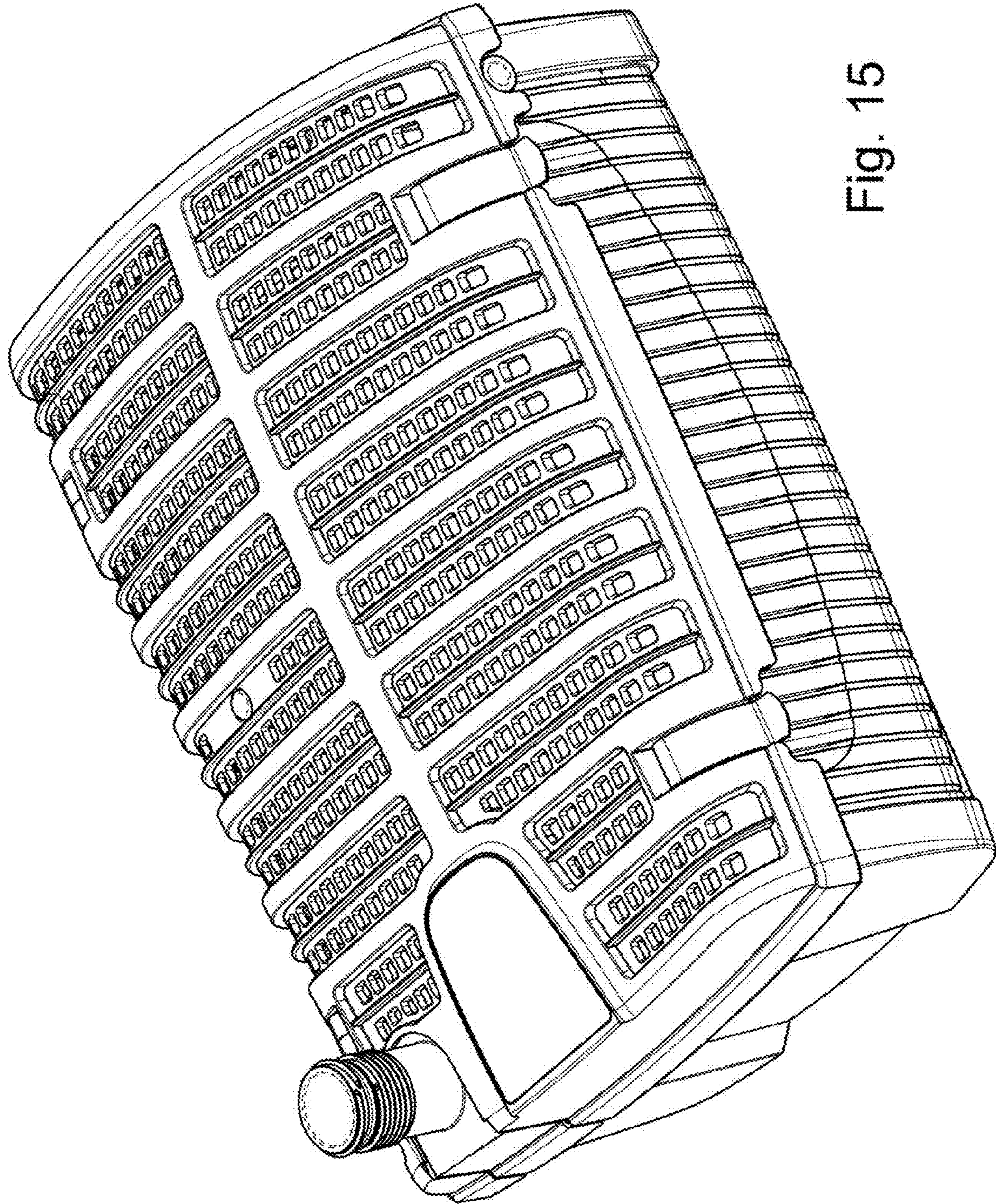


Fig. 15

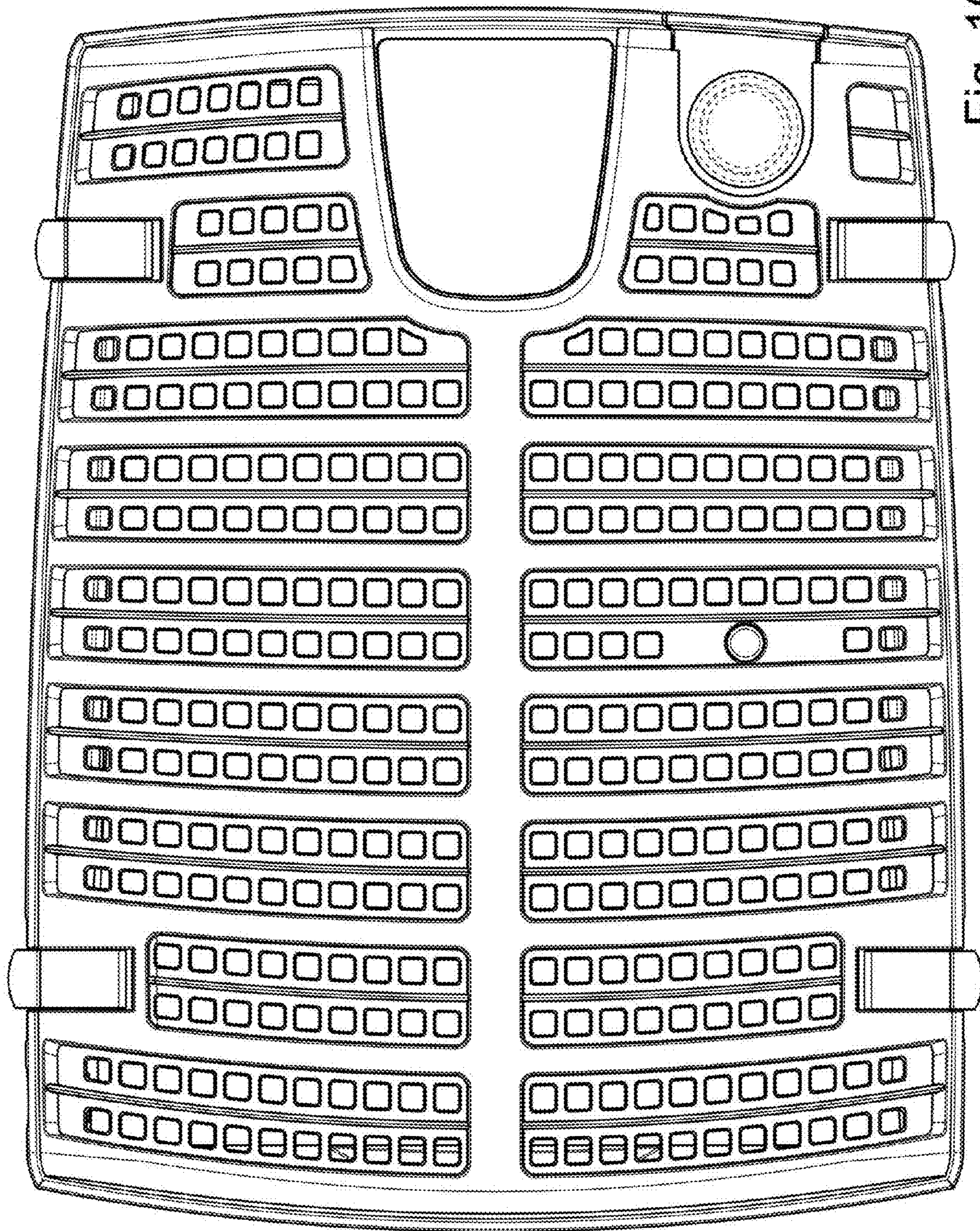


Fig. 16

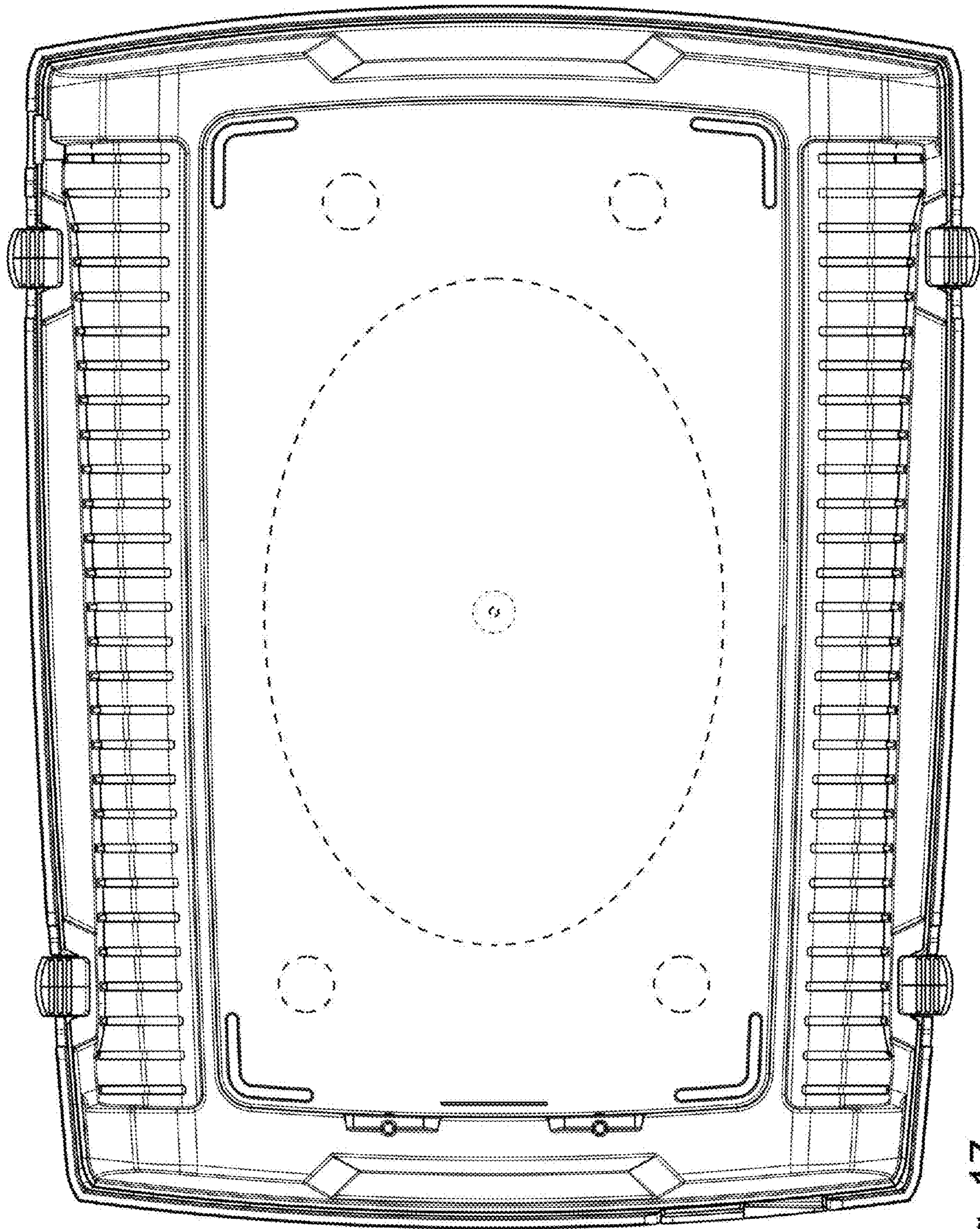
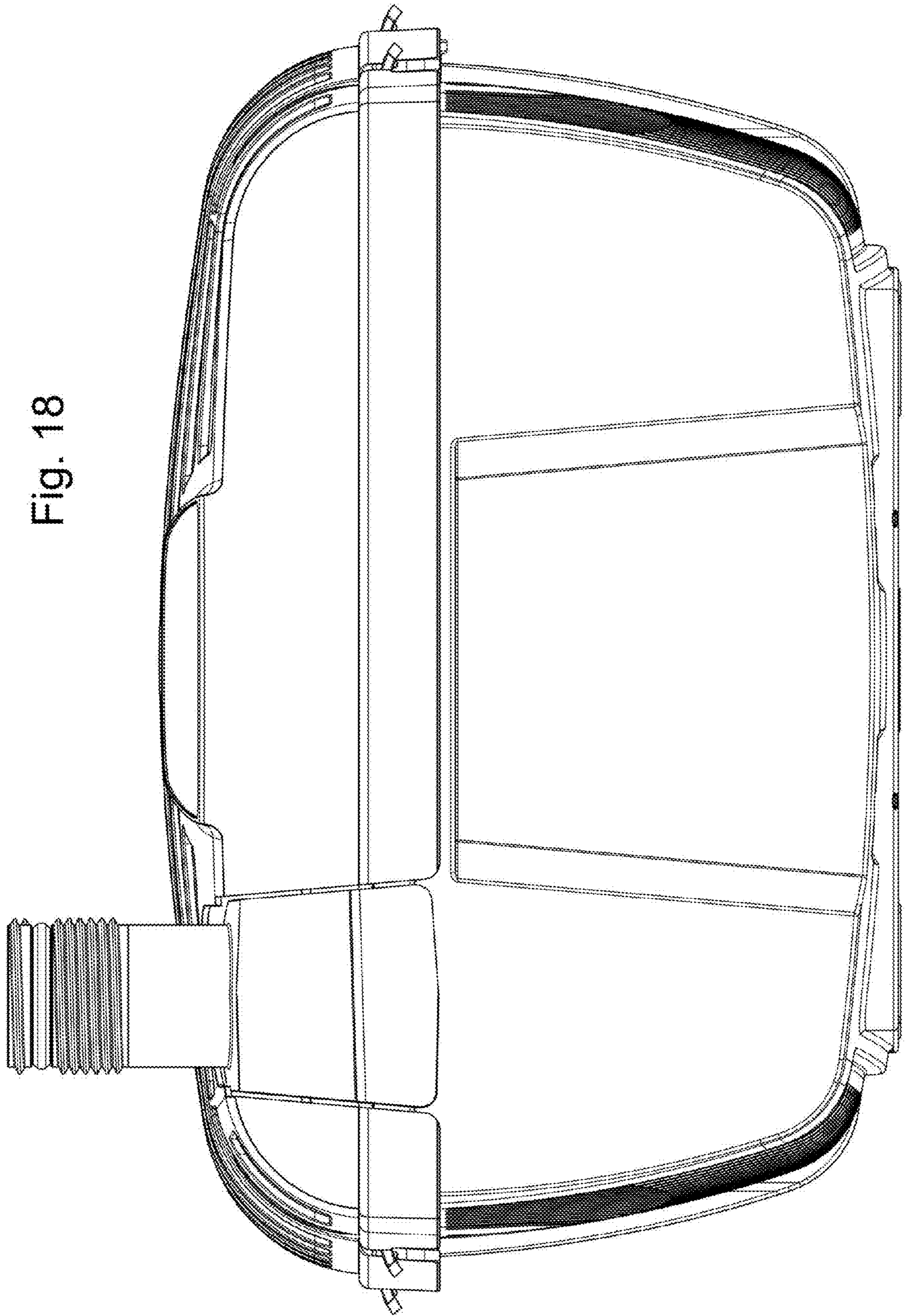


Fig. 17

Fig. 18



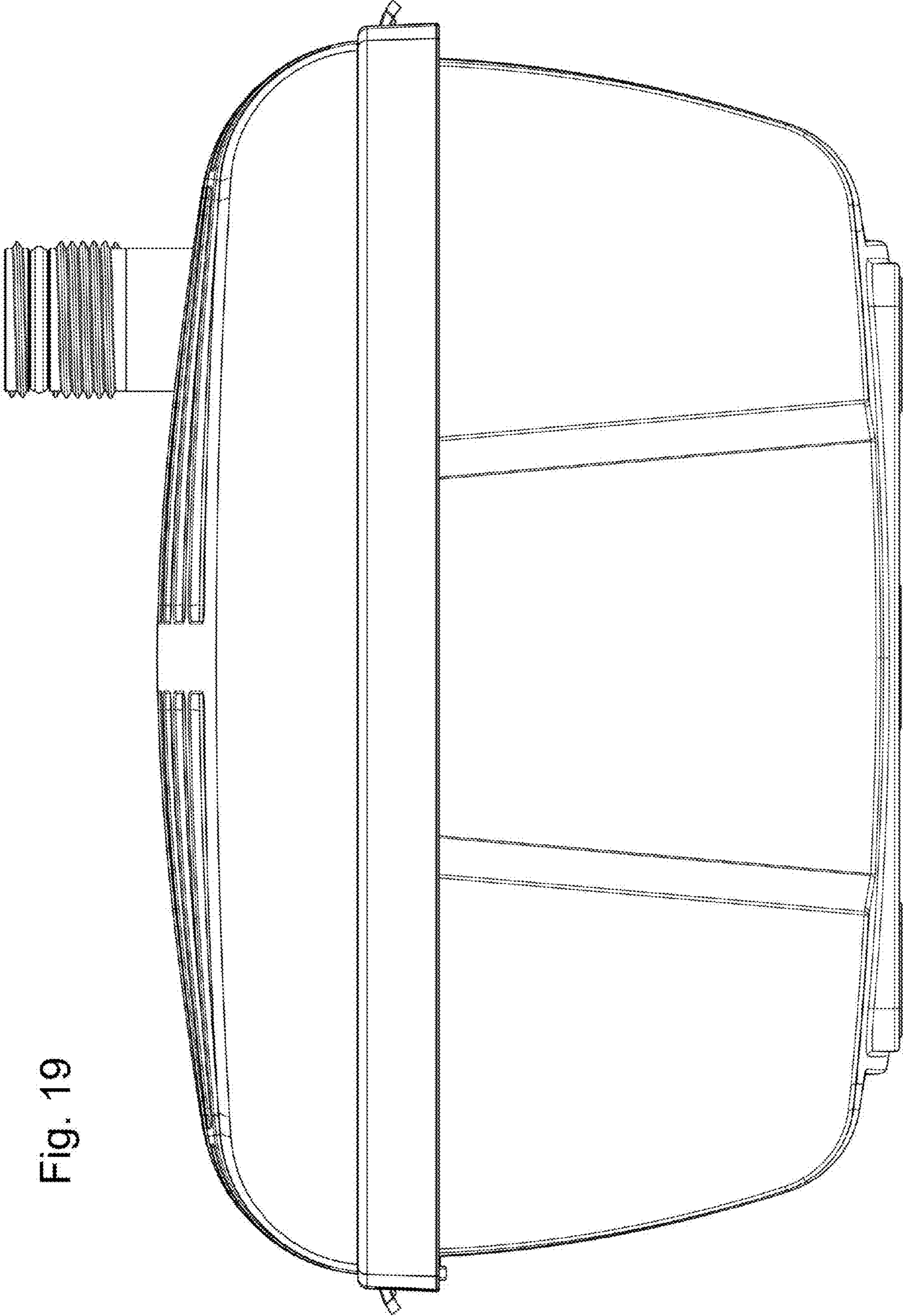


Fig. 19

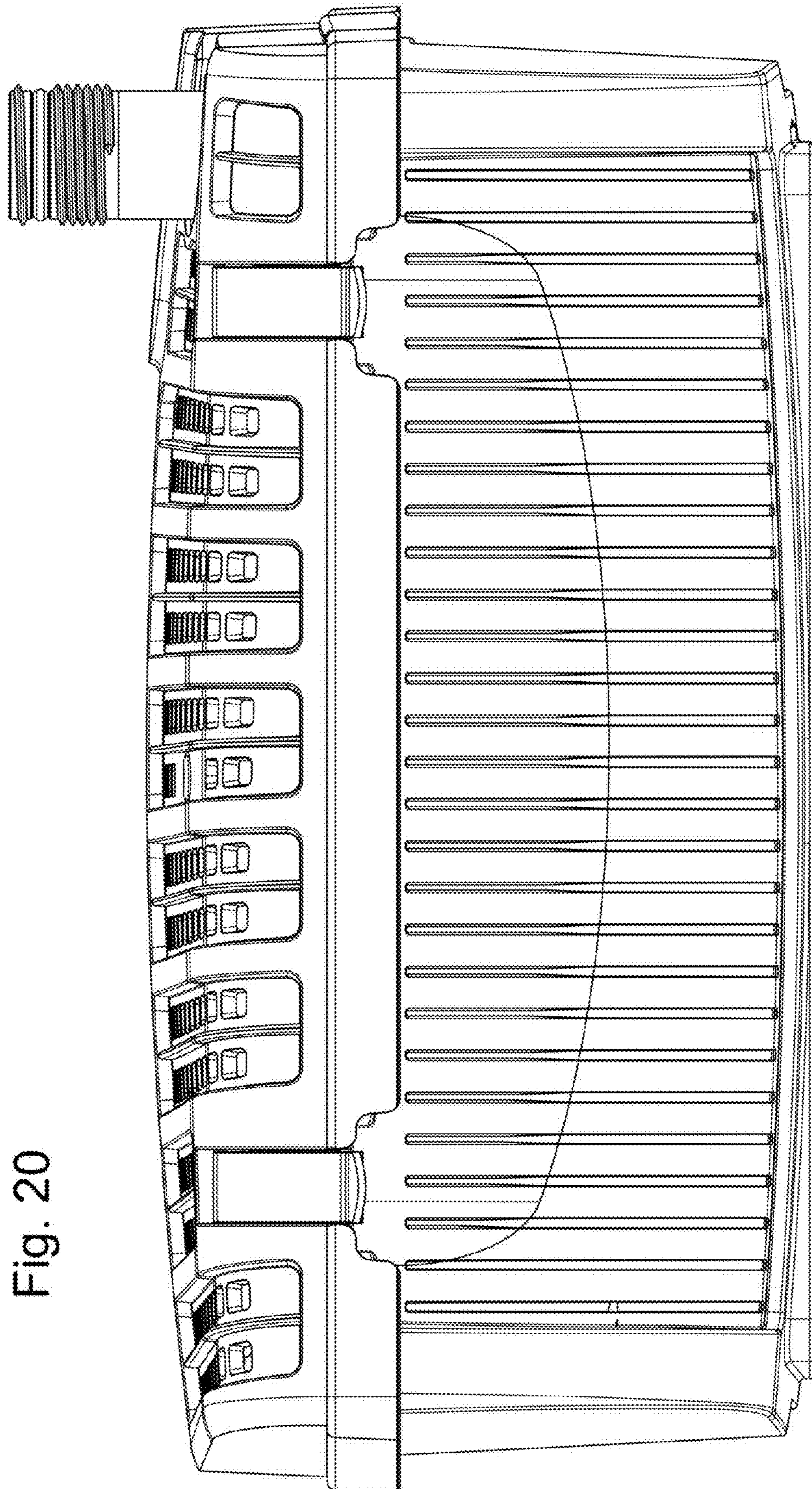


Fig. 20

Fig. 21

