



US00D901621S

(12) **United States Design Patent** (10) **Patent No.:** **US D901,621 S**
Breitenmoser (45) **Date of Patent:** **** Nov. 10, 2020**

(54) **FILTER COMPARTMENT**
(71) Applicant: **Gema Switzerland GmbH**, St. Gallen (CH)
(72) Inventor: **Stefan Breitenmoser**, Lömmenschwil (CH)
(73) Assignee: **GEMA SWITZERLAND GMBH**, St. Gallen (CH)

(**) Term: **15 Years**

(21) Appl. No.: **29/646,608**

(22) Filed: **May 4, 2018**

(51) **LOC (12) Cl.** **23-01**

(52) **U.S. Cl.**
USPC **D23/209; D23/365**

(58) **Field of Classification Search**
USPC **D23/209, 235, 341, 358, 363-365; D15/5**
CPC **F02M 35/04; F02M 35/10; F02M 35/024; B01D 46/0002; B01D 46/10**
See application file for complete search history.

(56) **References Cited**

U.S. PATENT DOCUMENTS

D254,145 S * 2/1980 Wilcock D23/209
D261,501 S * 10/1981 Schenker D12/194

H1157 H * 3/1993 Yanou D23/209
D513,314 S * 12/2005 Iddings D23/365
7,828,870 B1 * 11/2010 Rech B01D 46/0005
55/498
D719,636 S * 12/2014 Reed D23/209
D750,736 S * 3/2016 Enomoto D23/207
D752,707 S * 3/2016 Huda D23/209
D753,790 S * 4/2016 Torgerud D23/209
D755,345 S * 5/2016 Luthi D23/209
9,353,657 B2 * 5/2016 Scott B01D 46/0001
D790,053 S * 6/2017 Querrey D23/393
D830,497 S * 10/2018 Suzuki D23/202
D831,789 S * 10/2018 Dani B01D 27/08
D23/209
D840,528 S * 2/2019 Laumond D23/366
2006/0086075 A1 * 4/2006 Scott B01D 46/0001
55/498

* cited by examiner

Primary Examiner — Lakiya G Rogers
Assistant Examiner — John A Voytek
(74) *Attorney, Agent, or Firm* — Kinney & Lange, P.A.

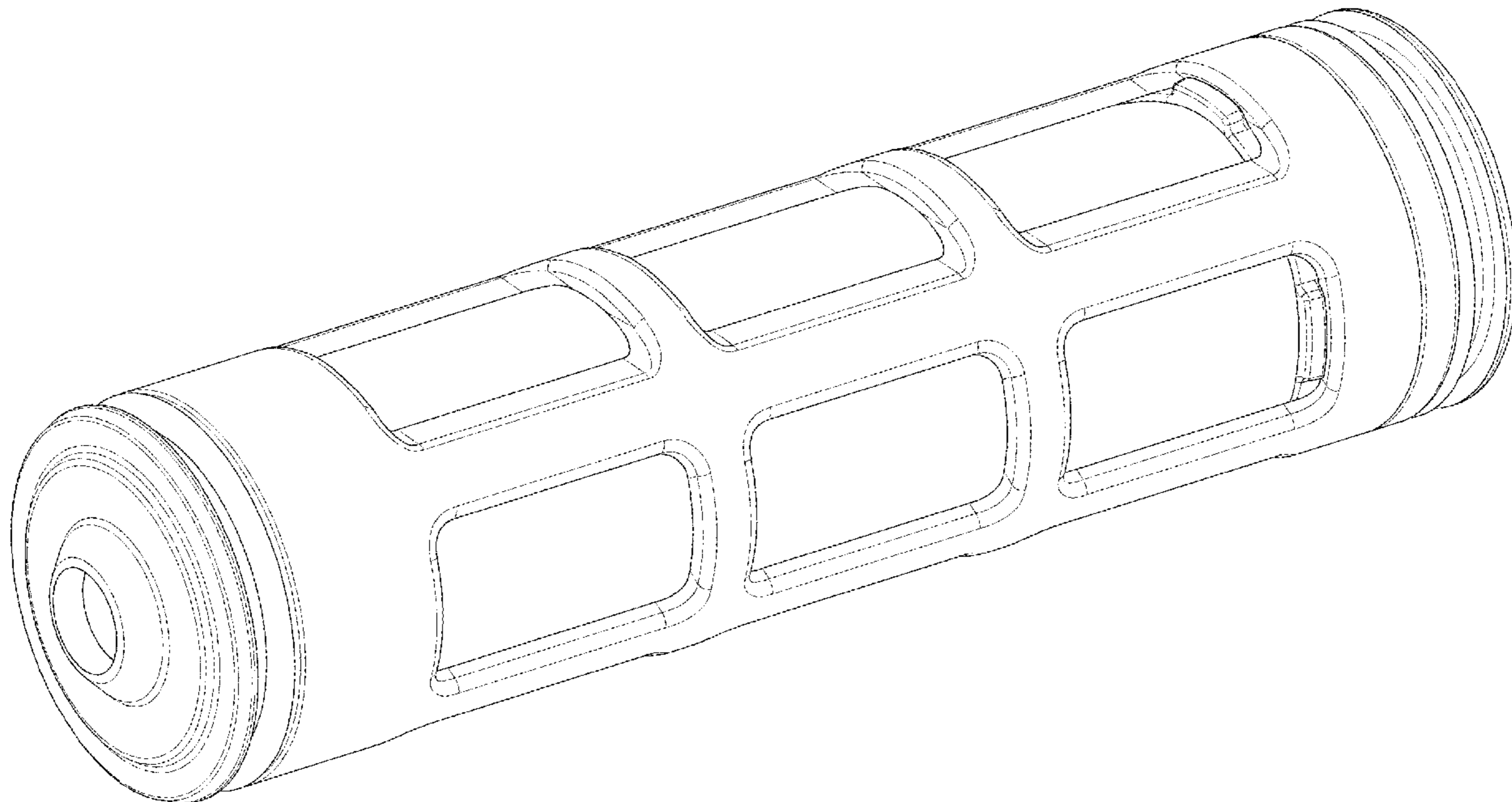
(57) **CLAIM**

The ornamental design for a filter compartment, as shown and described.

DESCRIPTION

FIG. 1 is a perspective view;
FIG. 2 is a top plan view;
FIG. 3 is a front elevational view; and,
FIG. 4 is a left end view.

1 Claim, 3 Drawing Sheets



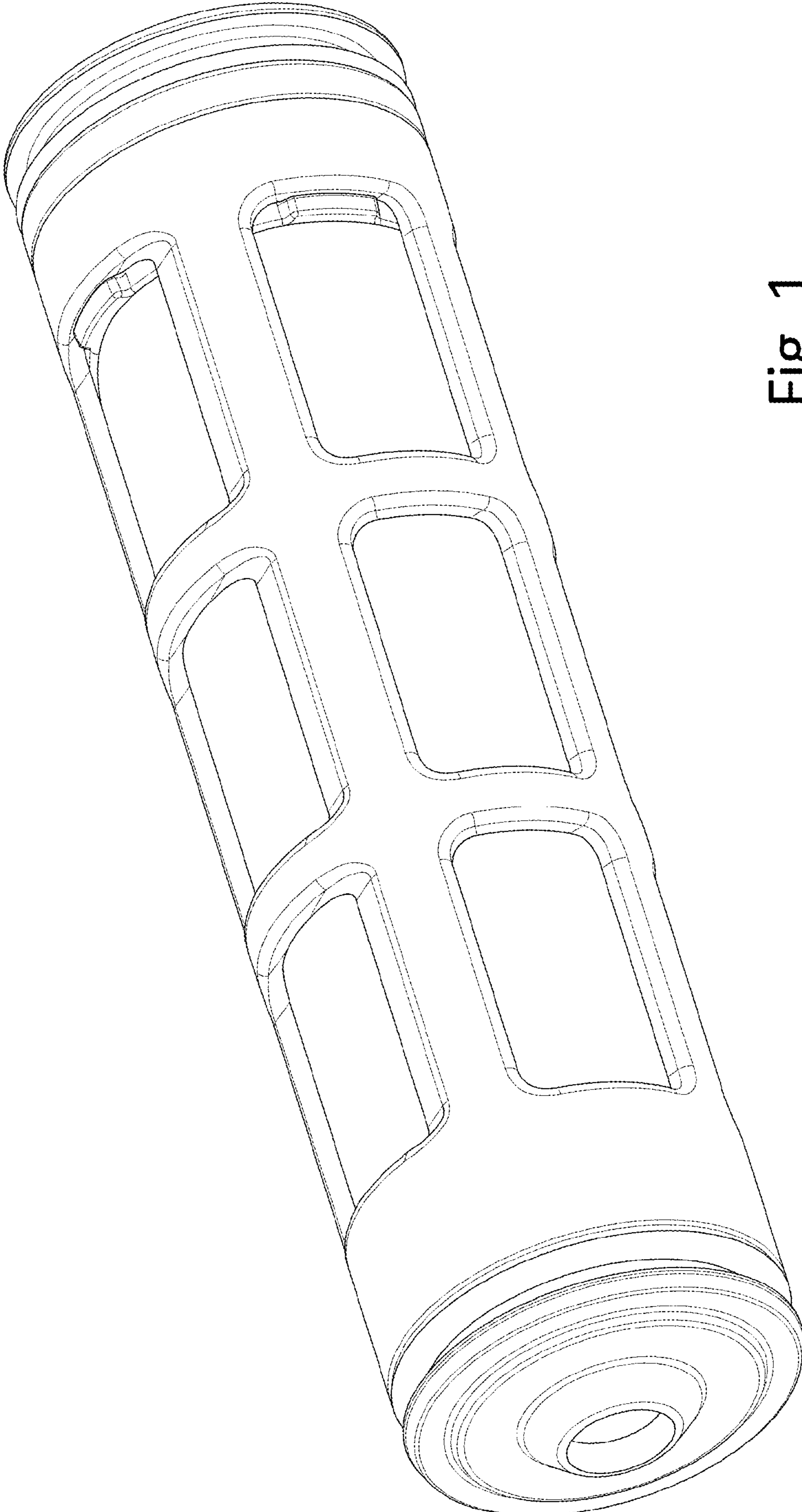


Fig. 1

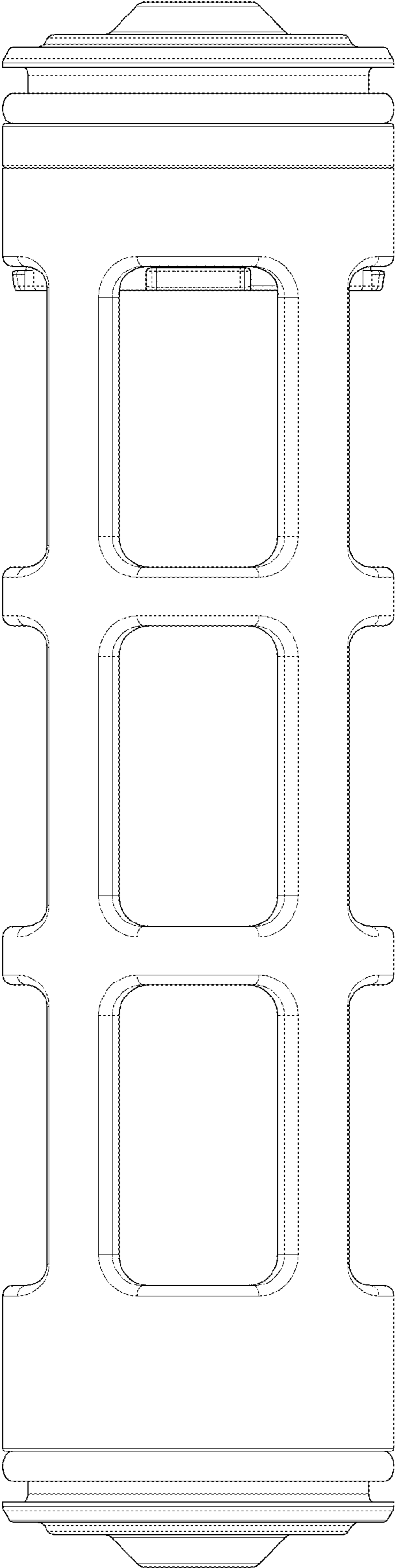


Fig. 2

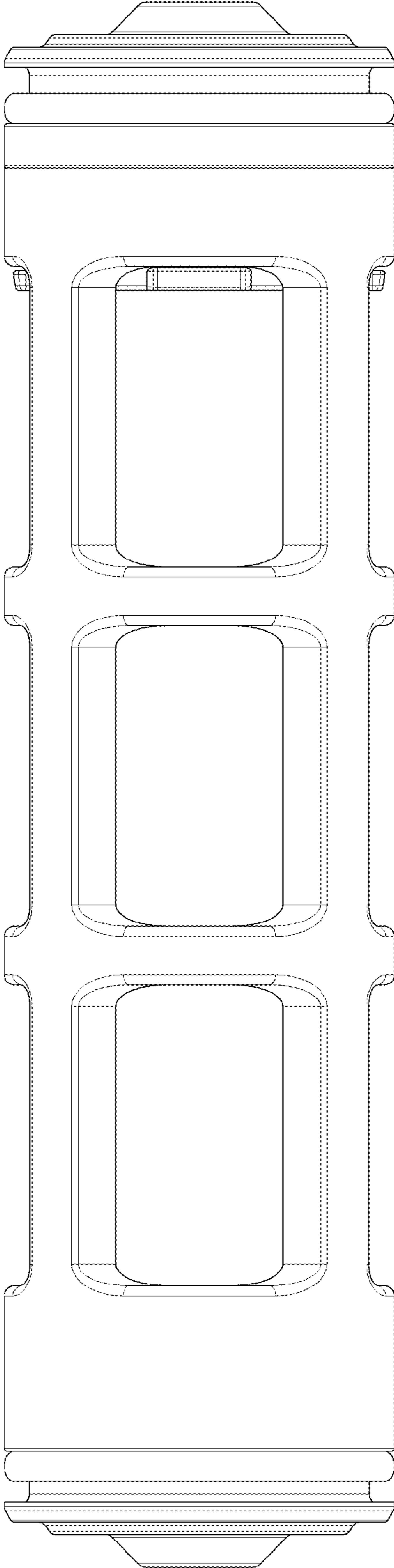


Fig. 3

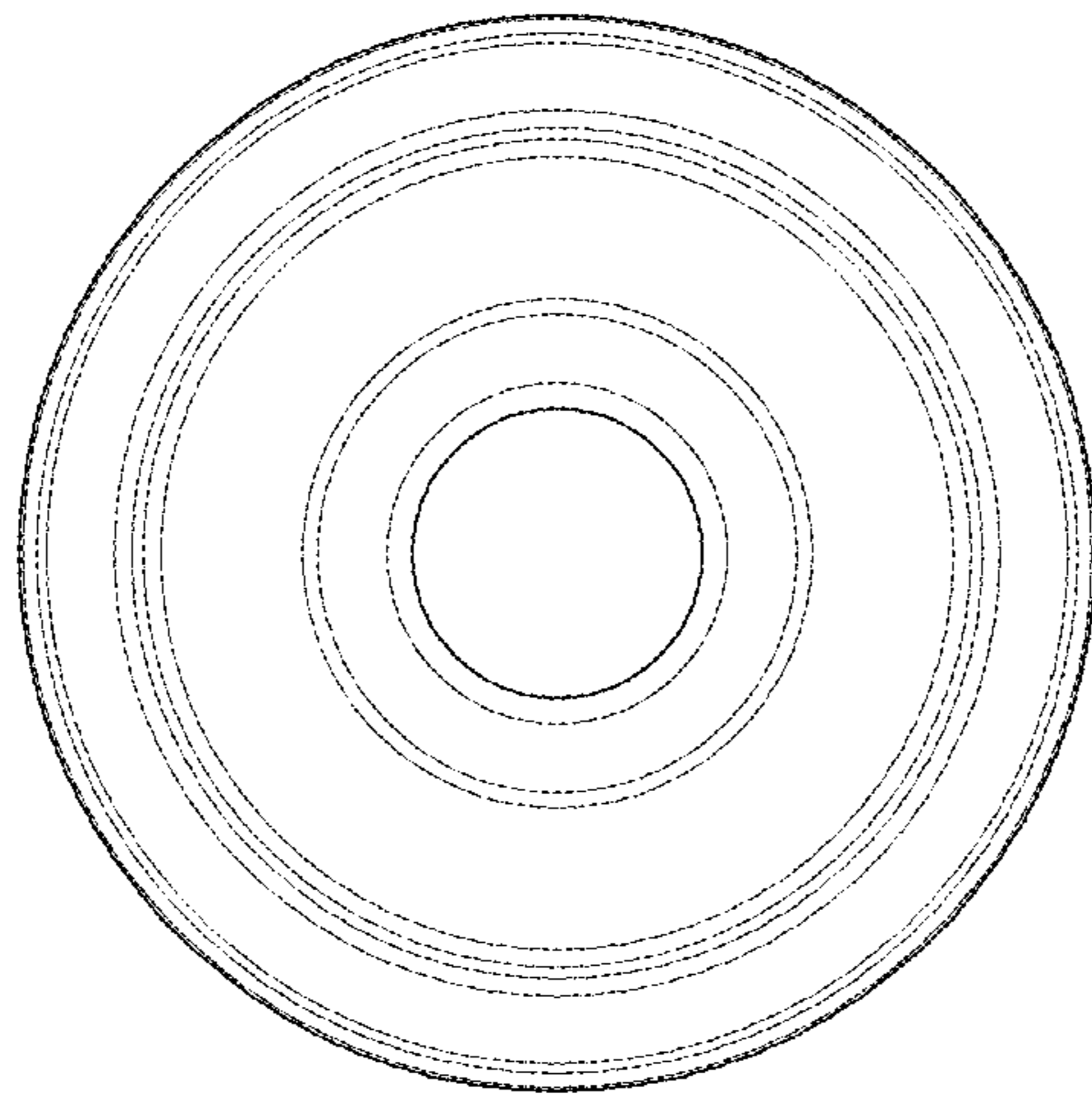


Fig. 4