



US00D901619S

(12) **United States Design Patent** (10) **Patent No.:** **US D901,619 S**  
**Tagliaferri** (45) **Date of Patent:** **\*\* Nov. 10, 2020**

- (54) **FISHING ROD RACK**
- (71) Applicant: **Matthew Tagliaferri**, Oakdale, NY (US)
- (72) Inventor: **Matthew Tagliaferri**, Oakdale, NY (US)
- (\*\*) Term: **15 Years**
- (21) Appl. No.: **29/697,032**
- (22) Filed: **Jul. 3, 2019**
- (51) **LOC (12) Cl.** ..... **22-05**
- (52) **U.S. Cl.**  
USPC ..... **D22/148**
- (58) **Field of Classification Search**  
USPC ..... D6/552, 553, 567, 572; D8/380; D22/109, 147, 148; D25/68; 43/21, 43/21.2; 211/13.1, 60.1, 64, 70.2, 70.6, 211/70.8, 65, 68, 69, 69.8, 89, 94; 248/512, 520, 538, 316.7  
CPC ..... A01K 97/10; A01K 97/12; A01K 97/125; A01K 99/00; A01K 97/08; A47F 7/0021; A47F 7/0035; A47B 81/005; Y10T 70/5009; Y10S 224/922  
See application file for complete search history.

8,375,622 B1 \* 2/2013 Holzmann, Jr. .... A01K 97/10 43/21.2  
 D727,457 S \* 4/2015 Seiders ..... D22/147  
 D764,210 S \* 8/2016 Peng ..... D6/552  
 D844,746 S \* 4/2019 Peng ..... D22/147  
 (Continued)

*Primary Examiner* — Nathan M Johnston  
 (74) *Attorney, Agent, or Firm* — Betsy Kingsbury Dowd, Esq.; BKDowd Law, P.C.

(57) **CLAIM**

The ornamental design for a fishing rod rack, as shown and described.

**DESCRIPTION**

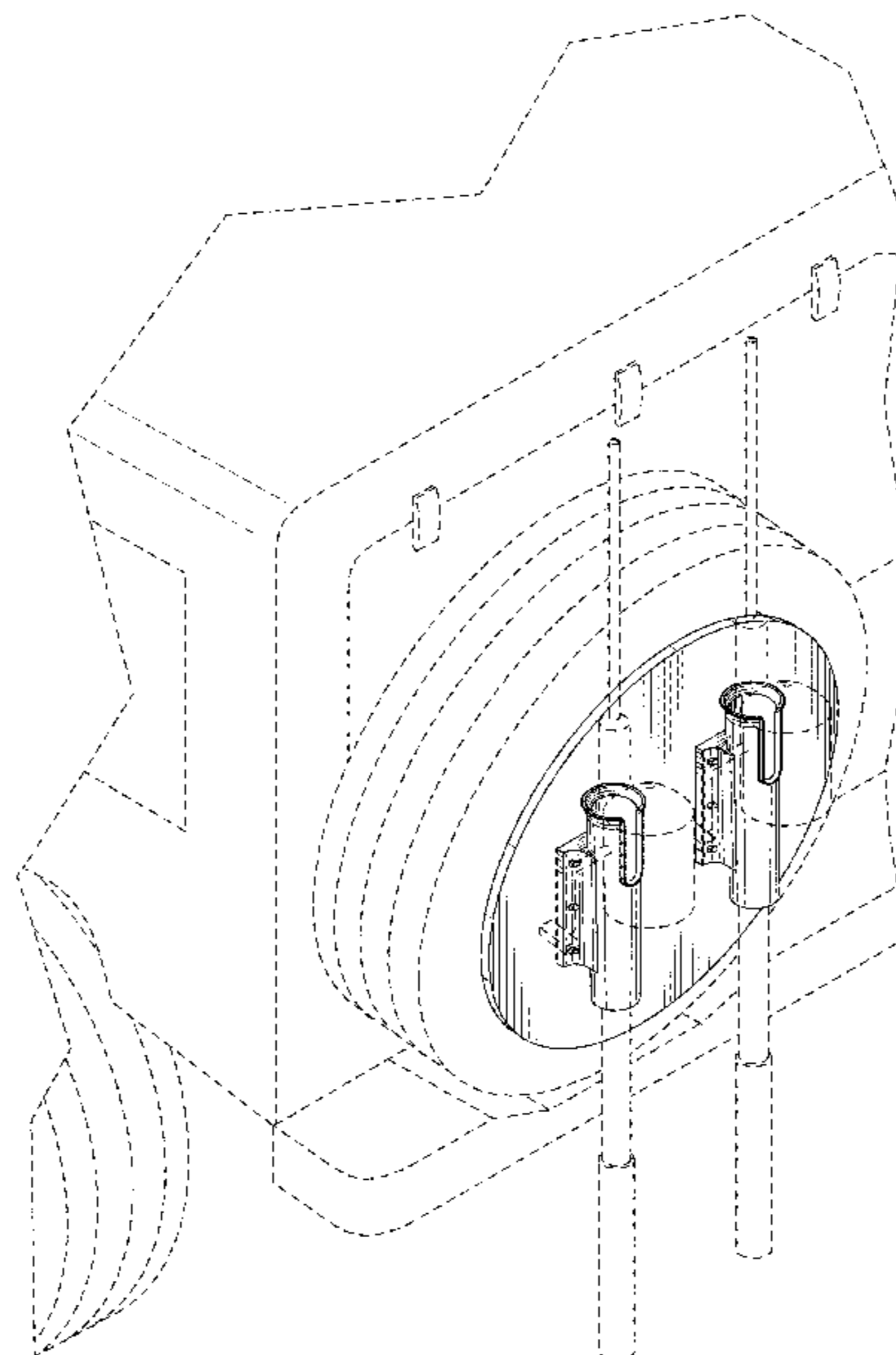
FIG. 1 is a front, right perspective view of a fishing rod rack depicting my new design;  
 FIG. 2 is a front view of the fishing rod rack depicted in FIG. 1;  
 FIG. 3 is a back view of the fishing rod rack depicted in FIG. 1;  
 FIG. 4 is a right side view of the fishing rod rack depicted in FIG. 1;  
 FIG. 5 is a left side view of the fishing rod rack depicted in FIG. 1;  
 FIG. 6 is a top view of the fishing rod rack depicted in FIG. 1;  
 FIG. 7 is a bottom view of the fishing rod rack depicted in FIG. 1; and,  
 FIG. 8 is a front, left perspective view of the fishing rod rack depicted in FIG. 1 in use, mounted on a vehicle for transport. The broken line showing of mounting hardware in FIG. 1 and the broken line showing of a vehicle and fishing rods in FIG. 8 depict the environment of the fishing rod rack and form no part of the claimed design. The broken line showing of grooves in FIG. 3 depicts portions of the fishing rod rack that form no part of the claimed design. The surface, showing the grooves which are not claimed, of FIG. 3 likewise forms no part of the claimed design.

(56) **References Cited**

U.S. PATENT DOCUMENTS

- 4,871,099 A \* 10/1989 Bogar, Jr. .... A01K 97/10 224/566
- D352,089 S \* 11/1994 Barber ..... D22/147
- 5,435,473 A \* 7/1995 Larkum ..... B60R 9/08 211/4
- 5,715,952 A \* 2/1998 Chichetti ..... A01K 97/10 211/70.8
- 6,530,170 B1 \* 3/2003 Sweeney ..... A01K 97/10 211/70.8
- D605,851 S \* 12/2009 Drake ..... D22/147

**1 Claim, 7 Drawing Sheets**



(56)

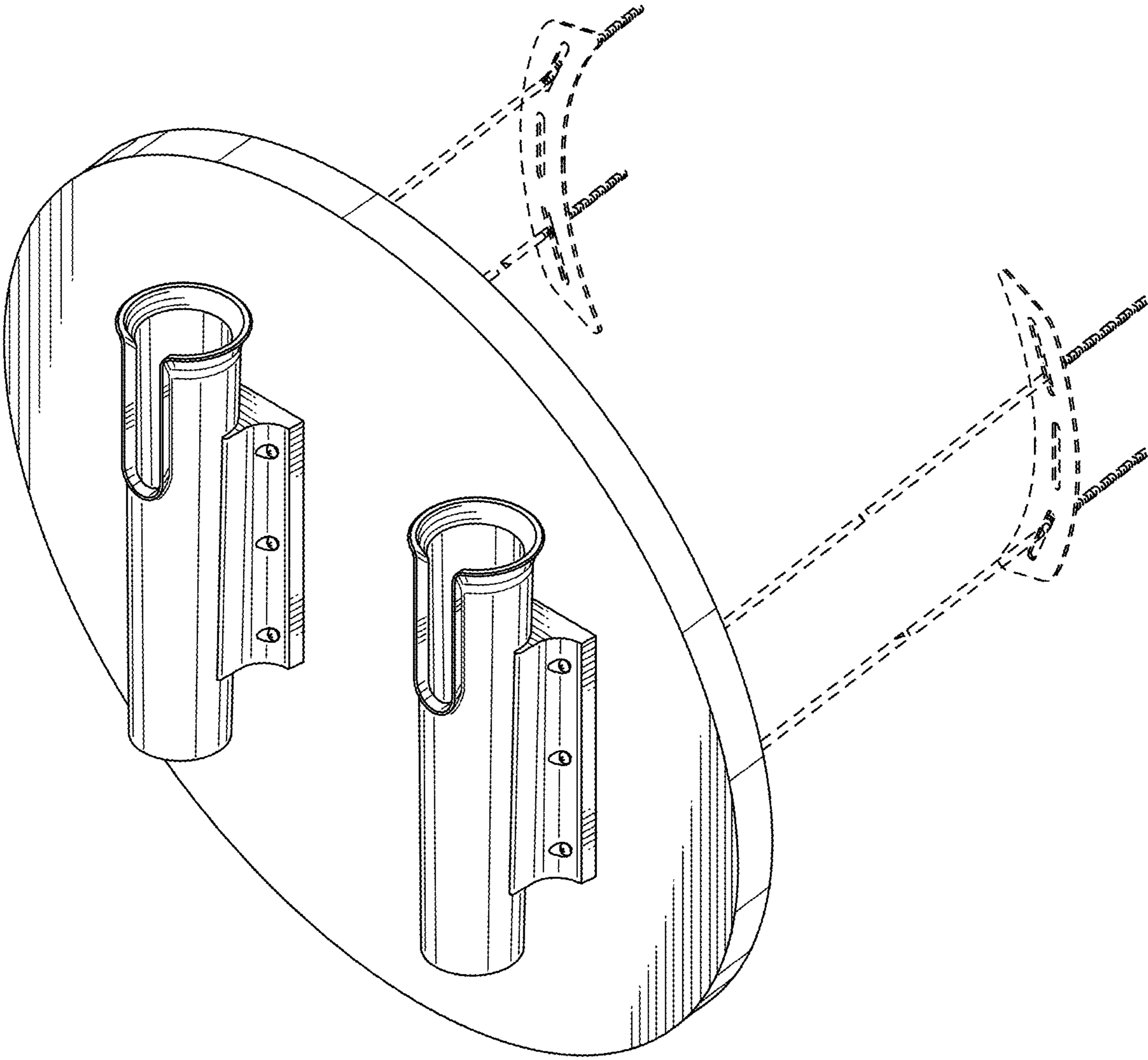
**References Cited**

U.S. PATENT DOCUMENTS

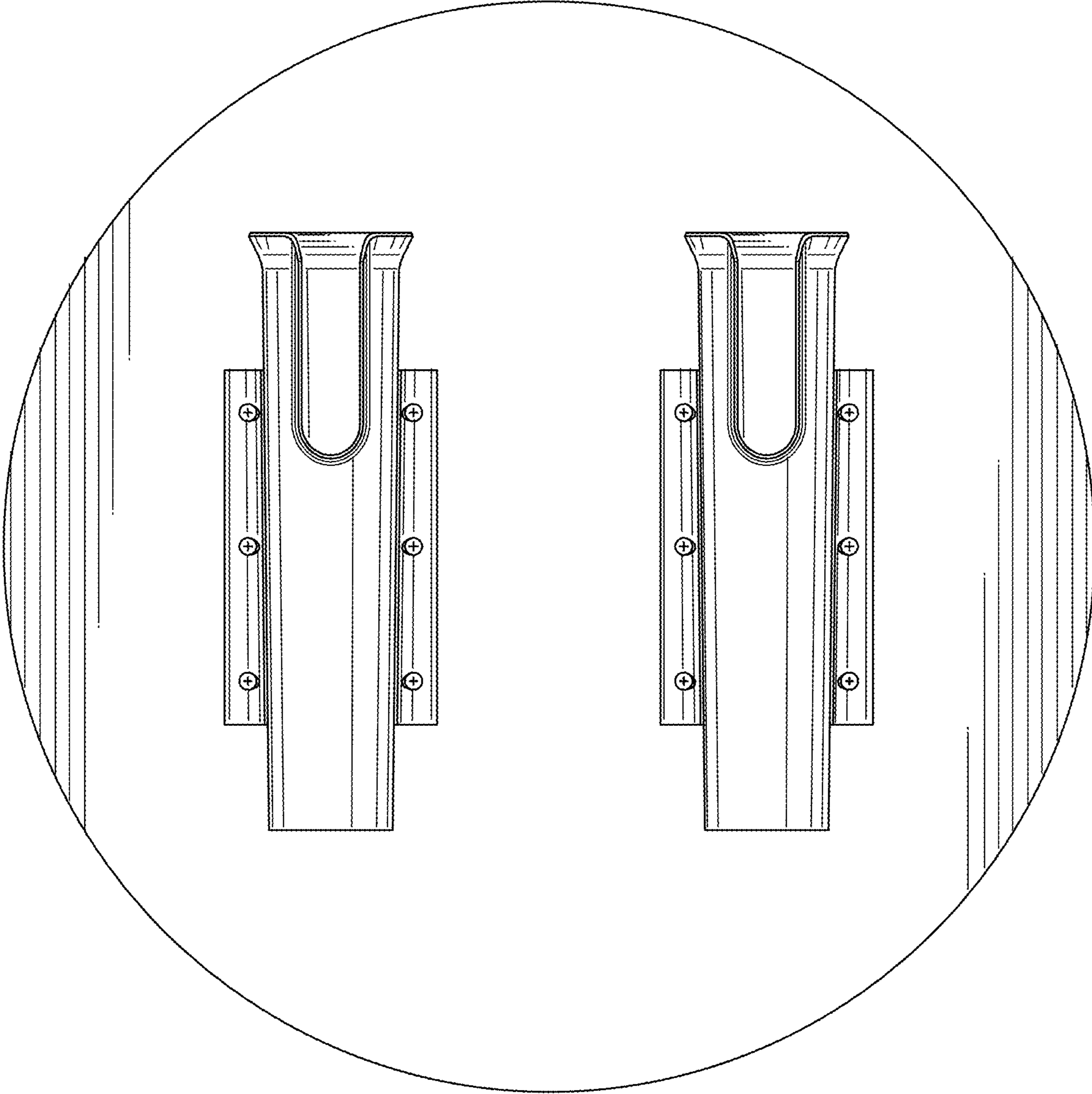
2008/0295383 A1\* 12/2008 Wakefield ..... A01K 97/10  
43/21.2  
2015/0059230 A1\* 3/2015 Ennis ..... A01K 97/10  
43/4.5  
2016/0037762 A1\* 2/2016 Thomas ..... F16M 11/2014  
248/636

\* cited by examiner

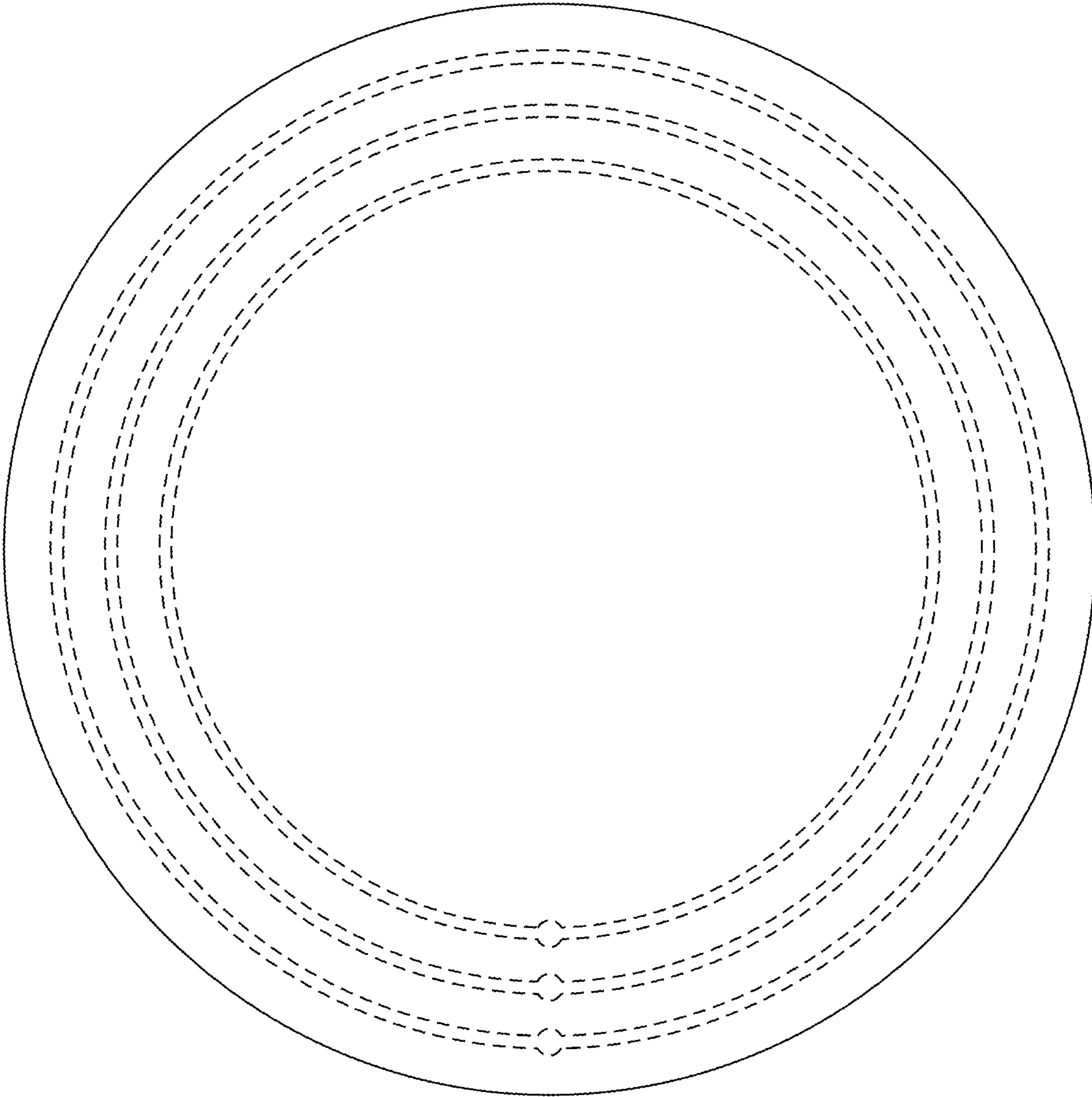
**FIG. 1**



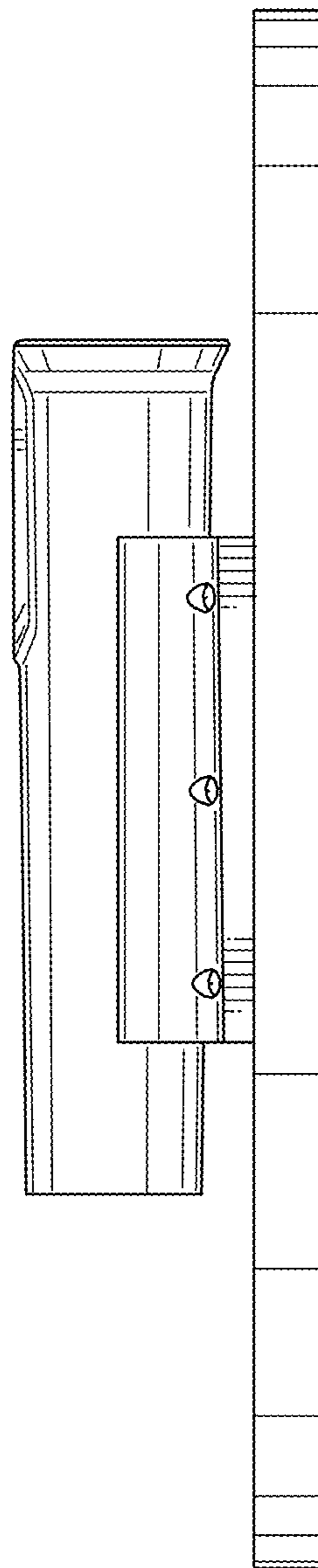
**FIG. 2**



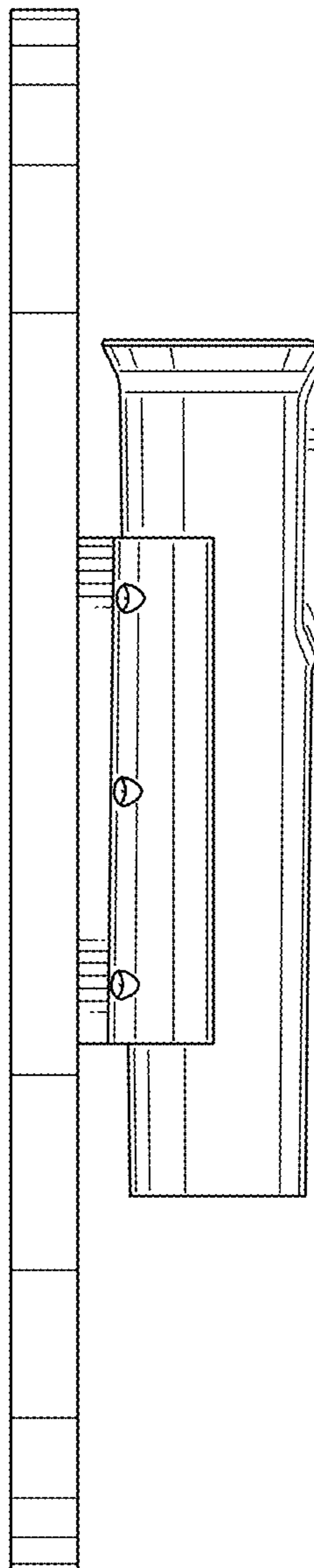
**FIG. 3**



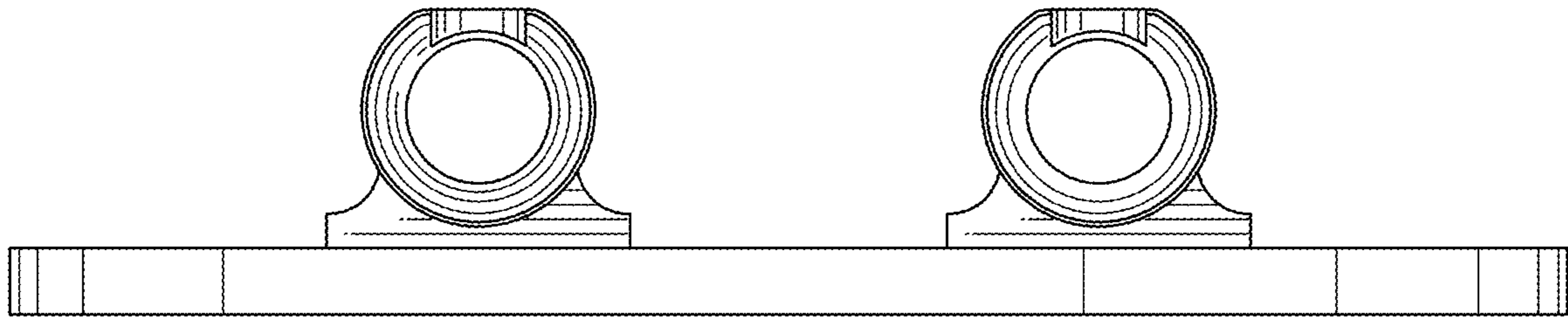
**FIG. 4**



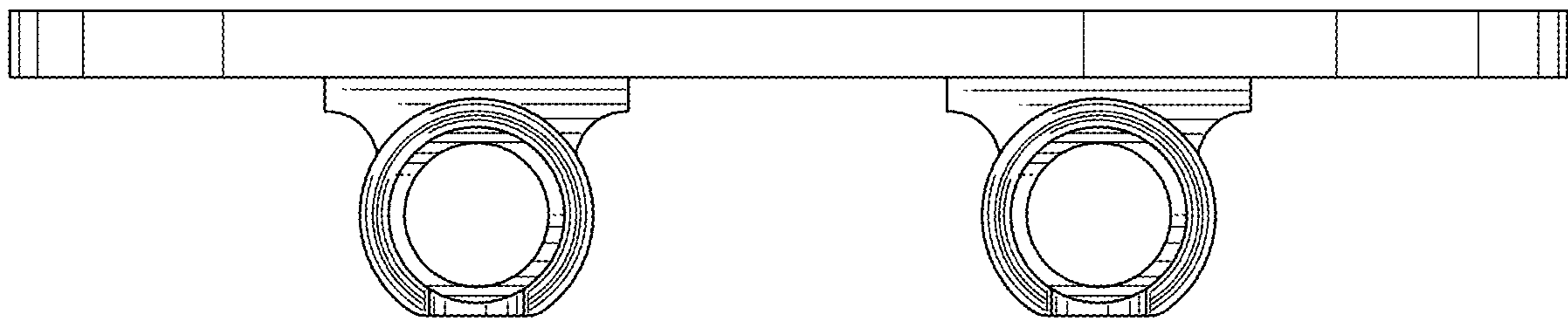
**FIG. 5**



**FIG. 6**



**FIG. 7**





**FIG. 8**

