



US00D901617S

(12) **United States Design Patent** (10) **Patent No.:** **US D901,617 S**
Wu (45) **Date of Patent:** **** Nov. 10, 2020**

(54) **FIREWORKS DETONATOR**

FOREIGN PATENT DOCUMENTS

(71) Applicant: **Titan International Technologies, Ltd.**, Hong Kong (CN)

CN 203881228 U 10/2014
CN 204421763 U 6/2015

(Continued)

(72) Inventor: **Kevin Wu**, Hong Kong (CN)

OTHER PUBLICATIONS

(73) Assignee: **TITAN INTERNATIONAL TECHNOLOGIES, LTD.**, Hong Kong (CN)

YouTube video clip entitled "Make your own Remote Bluetooth Firework Igniter"; https://www.youtube.com/watch?v=ScZfuQxol_s; Sep. 12, 2015.

(**) Term: **15 Years**

(Continued)

(21) Appl. No.: **29/695,924**

Primary Examiner — Michael A. Pratt

(22) Filed: **Jun. 24, 2019**

(74) *Attorney, Agent, or Firm* — Womble Bond Dickinson (US) LLP

Related U.S. Application Data

(63) Continuation of application No. 29/615,565, filed on Aug. 30, 2017, now Pat. No. Des. 856,461.

(51) **LOC (12) Cl.** **22-03**

(52) **U.S. Cl.**
USPC **D22/112**

(58) **Field of Classification Search**
USPC D22/112, 199; D14/203.1, 300
CPC .. F42B 3/121; F42B 3/10; F42B 3/122; F42B 3/125; F42D 1/055; F42D 1/05; F42D 1/045; F42D 1/042
See application file for complete search history.

(56) **References Cited**

U.S. PATENT DOCUMENTS

5,627,338 A 5/1997 Poor et al.
D540,318 S * 4/2007 Wang D14/300
7,493,859 B2 2/2009 Russell
D696,265 S 12/2013 d'Amore
8,600,712 B1 12/2013 Harvey
D713,416 S 9/2014 Lee
D753,685 S 4/2016 Zimmerman
D768,707 S 10/2016 Gagnier

(Continued)

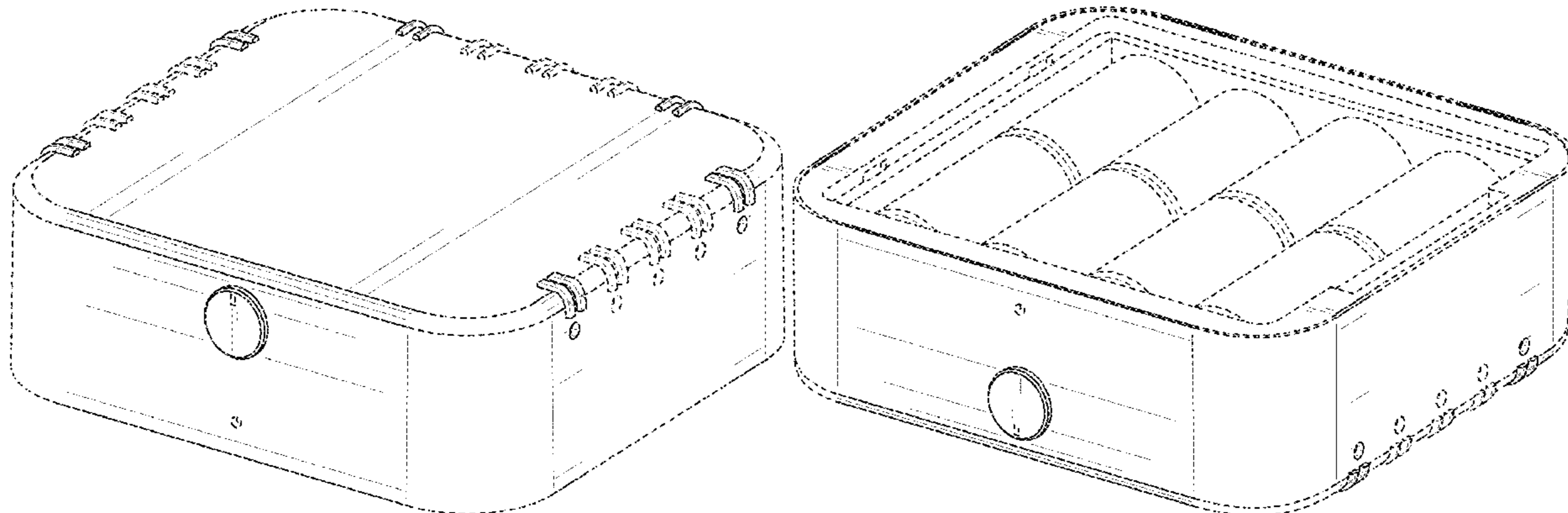
(57) **CLAIM**

The ornamental design for a fireworks detonator, as shown and described.

DESCRIPTION

FIG. 1 is a perspective view of a fireworks detonator. FIG. 2 is a front elevation view of the fireworks detonator of FIG. 1. FIG. 3 is a rear elevation view of the fireworks detonator of FIG. 1. FIG. 4 is a left elevation view of the fireworks detonator of FIG. 1. FIG. 5 is a right elevation view of the fireworks detonator of FIG. 1. FIG. 6 is a top plan view of the fireworks detonator of FIG. 1. FIG. 7 is a bottom plan view of the fireworks detonator of FIG. 1; and, FIG. 8 is a bottom perspective view of the fireworks detonator FIG. 1. The dashed lines in the figures do not form part of the claimed design.

1 Claim, 6 Drawing Sheets



(56)

References Cited

U.S. PATENT DOCUMENTS

D781,311	S	3/2017	Rad	
D789,382	S	6/2017	Chaudhri	
D791,123	S *	7/2017	Wieser	D14/300
D797,099	S *	9/2017	Wieser	D14/300
D805,541	S	12/2017	Juliano	
2008/0046910	A1	2/2008	Schultz et al.	
2012/0210897	A1	8/2012	Johnson, Jr.	
2013/0192486	A1	8/2013	Ruggiero	
2015/0041554	A1	2/2015	Aguilera Sanchez	
2016/0011726	A1	1/2016	Felt	
2016/0337963	A1	11/2016	Nabki	
2016/0360116	A1	12/2016	Penha	
2018/0066927	A1	3/2018	Wu	

FOREIGN PATENT DOCUMENTS

CN	105872251	A	8/2016
EP	0429229	A2	5/1991
WO	WO 0122180	A1	3/2001

OTHER PUBLICATIONS

Greatscottlab; <https://www.instructables.com/id/Remote-Bluetooth-Firework-Igniter/>; “*Remote Bluetooth Firework Igniter*”; Sep. 15, 2015.
 Web Archive; Wayback Machine; Greatscottlab; “<https://www.instructables.com/id/Remote-Bluetooth-Firework-Igniter/>”; <https://web.archive.org/web/20150915013847/https://www.instructables.com/id/Remote-Bluetooth-Firework-Igniter/>; Sep. 15, 2015.
 YouTube video clip entitled “*Fireworks with a Smart Phone (FireTEK Compact)*”; https://www.youtube.com/watch?v=XqtgFc_KFuo; Apr. 30, 2016.
 Firetek; *Fireworks with a Smart Phone (FireTEK Compact)*; <http://www.pyrotalk.com/bulletin/archive/index.php/t-4569.html>; Apr. 30, 2016.
 vBulletin; Thread: *Fireworks with a Smart Phone (FireTEK Compact Model)*; <http://www.pyrotalk.com/bulletin/showthread.php?4569.html>; Apr. 30, 2016.
 Firetek Firing Made Easy; Products; Technical Specifications; <http://ftek.eu/products/>; Jan. 21, 2016.

Web Archive; Wayback Machine; Firetek Firing Made Easy; Products; Technical Specifications; “<http://ftek.eu/products/#>”; <https://web.archive.org/web/20160121185120/http://ftek.eu/products/#>; Jan. 21, 2016.
 Pyromate Advanced Pyrotechnic Firing Systems; <http://www.pyromate.com/smartshow-software.htm>; Jun. 10, 2004.
 Web Archive; Wayback Machine; Pyromate Advanced Pyrotechnic Firing Systems; “<http://www.pyromate.com/smartshow-software.htm>”; <https://web.archive.org/web/20040610120140/http://www.pyromate.com/smartshow-software.htm>; Jun. 10, 2004.
 Pyromate Inc. Firing Systems; Smart Show Instructions; <http://www.pyromate.com/PDF/SmartFire%20Instructions.PDF>; Jun. 10, 2004.
 Infinity Visions; Visual Show Director (Version 8.3.0); <http://www.infinityvisions.net/software/visual-show-director/>; Nov. 13, 2015.
 YouTube video clip entitled “*VisualShowDirector 8 Addressing for the Galaxis Firing System*”; www.infinityvisions.net”; <https://www.youtube.com/watch?v=Yku-BUKEYoU>; Nov. 13, 2015.
 Web Archive; Wayback Machine; Cobra Wireless Firing Systems; Cobra Show Creator; https://web.archive.org/web/20150510221910/http://www.cobrafiringsystems.com/index.php?route=product/product&product_id=140; May 10, 2015.
 Finale Fireworks; <http://www.finalefireworks.com/>; Dec. 19, 2011.
 Web Archive; Wayback Machine; Finale Fireworks; “<http://www.finalefireworks.com/>”; <https://web.archive.org/web/20111219124314/http://www.finalefireworks.com/>; Dec. 19, 2011.
 Short Paper: A Dangerous ‘Pyrotechnic Composition’: Fireworks, Embedded Wireless and Insecurity-by-Design, Costin et al., Jul. 2014, In Proceedings of the ACM Conference on Security and Privacy in Wireless and Mobile Networks, Oxford, UK.
 MK802 and iPhone: a fireworks remote control. Internet of Things and Tiny PC, Aug. 2, 2012, available at <http://www.yoctopuce.com/EN/article/mk802-and-iphone-a-fireworks-remote-control>.
 Internet Control Firing System OmegaFire—RFRemote Fireworks Firing System, Guangzhou Aifusheng Electronic Technology Co., Ltd, May 20, 2016, available at <http://www.rfremotech.com/OmegaFire.html>.
 International Search Report and Written Opinion for related PCT application No. PCT/IB2017/001055, dated Dec. 25, 2017.
 International Preliminary Report on Patentability and Written Opinion of the International Searching Authority of International Application No. PCT/IB2017/001055 dated Mar. 14, 2019.

* cited by examiner

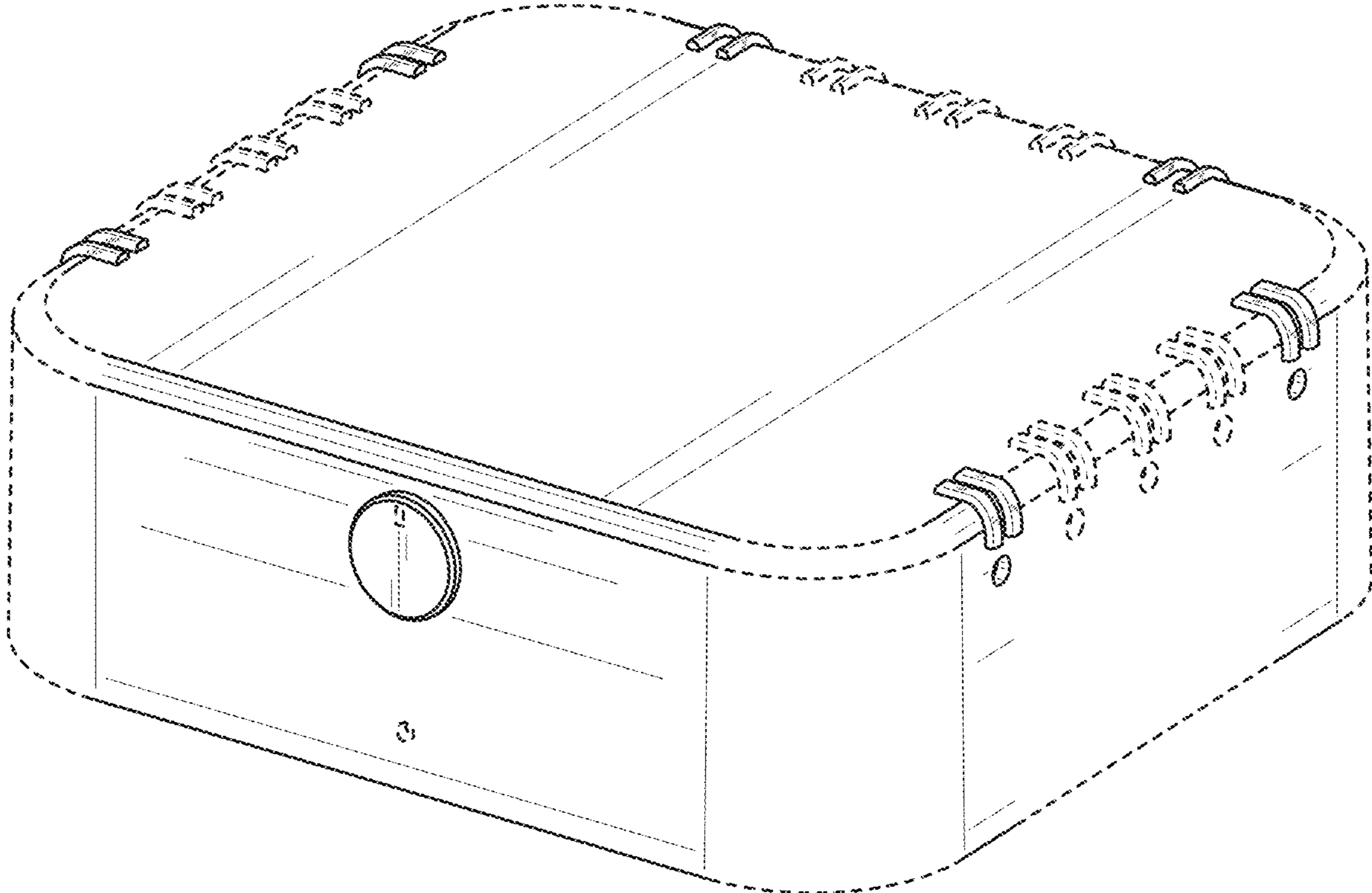


FIG. 1

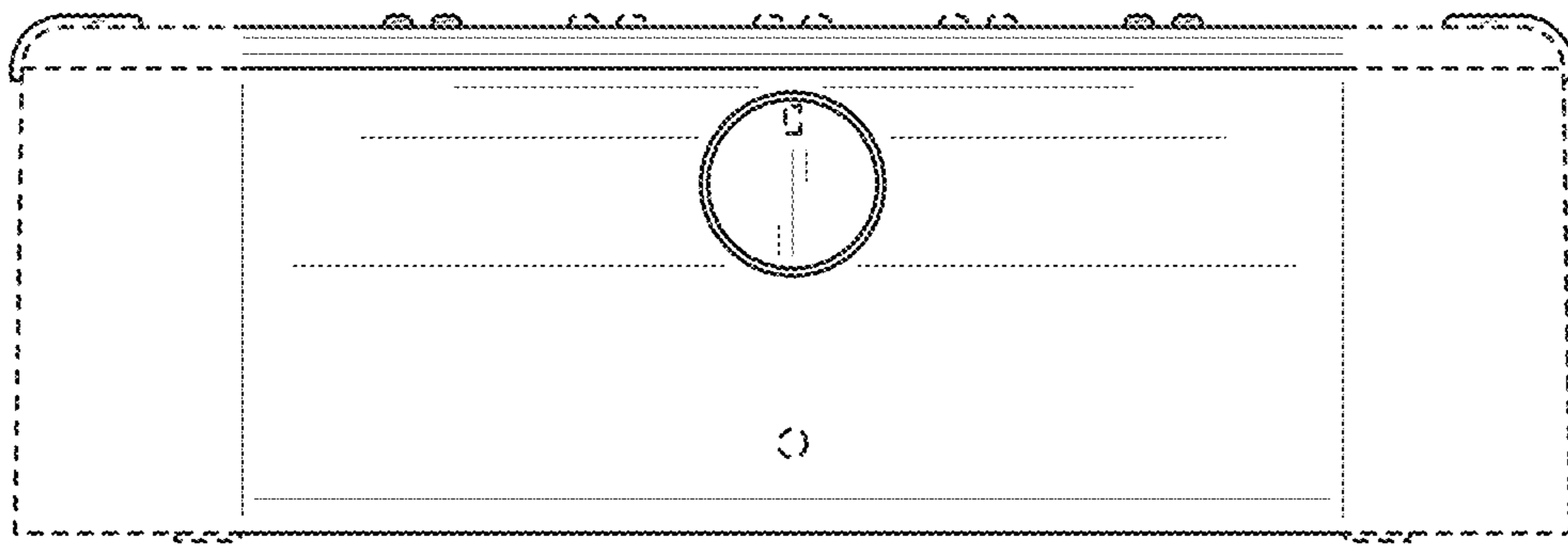


FIG. 2

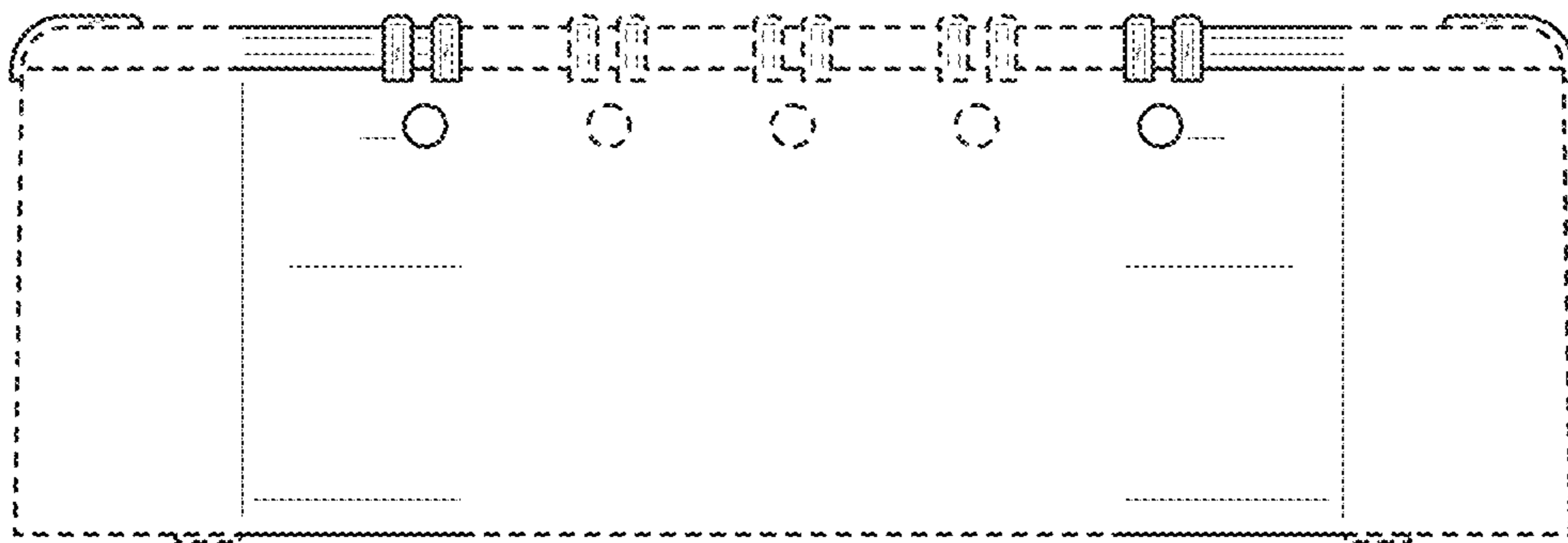


FIG. 3

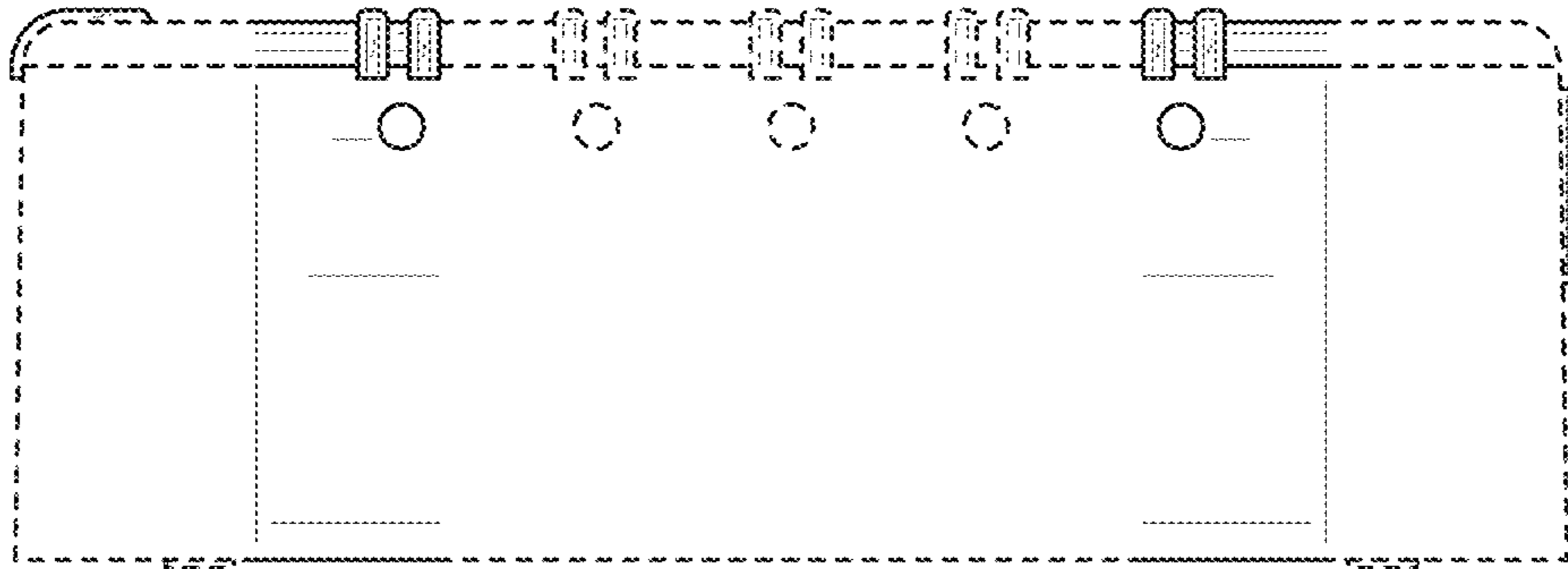


FIG. 4

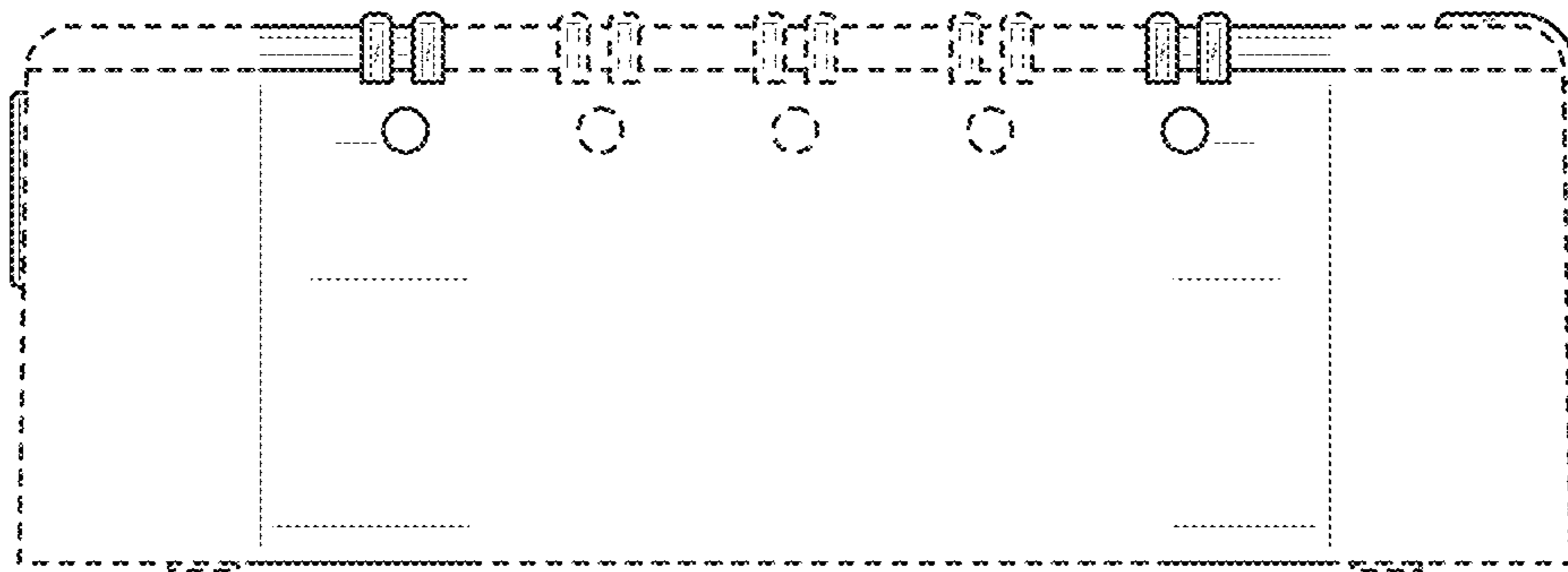


FIG. 5

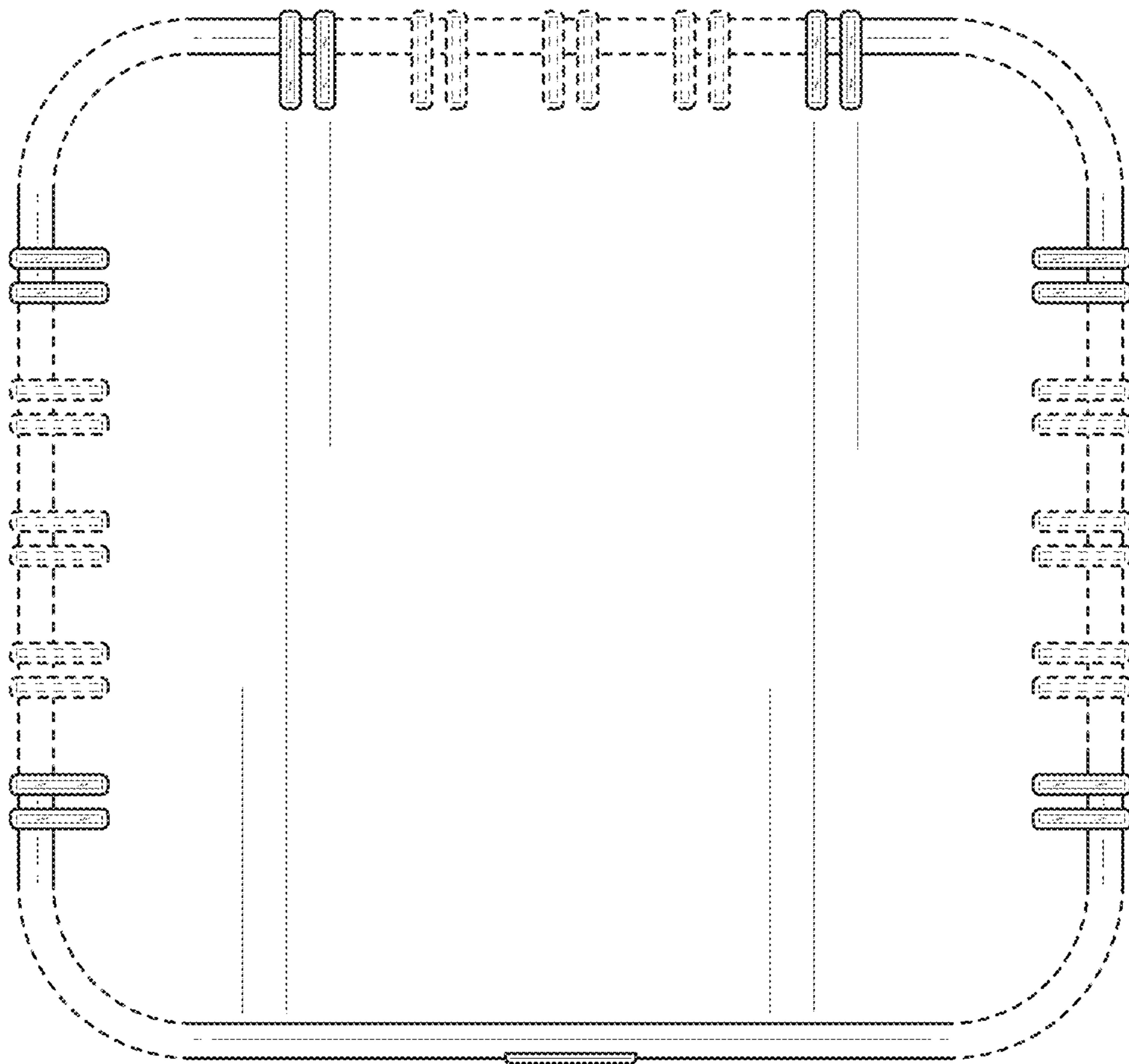


FIG. 6

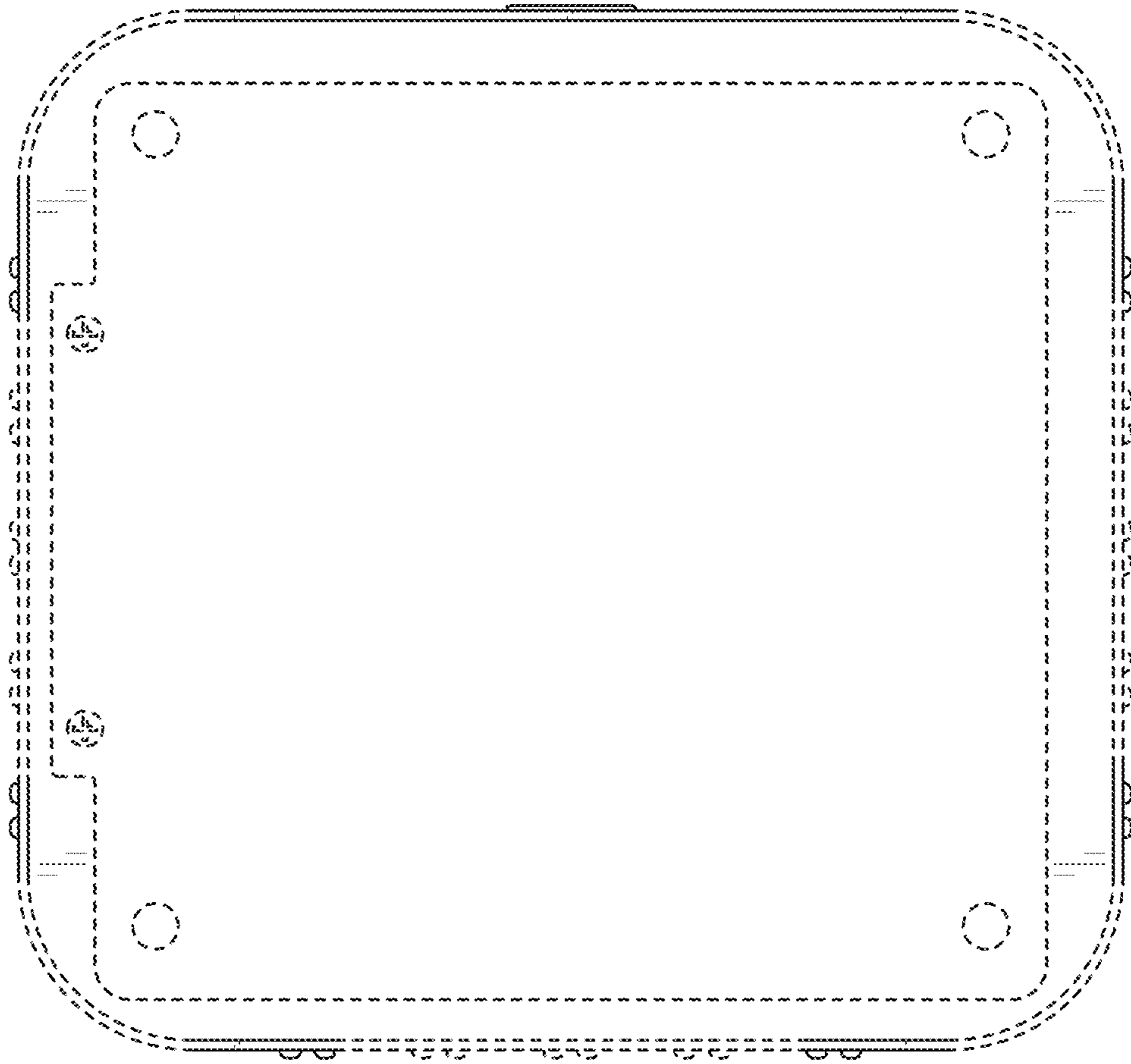


FIG. 7

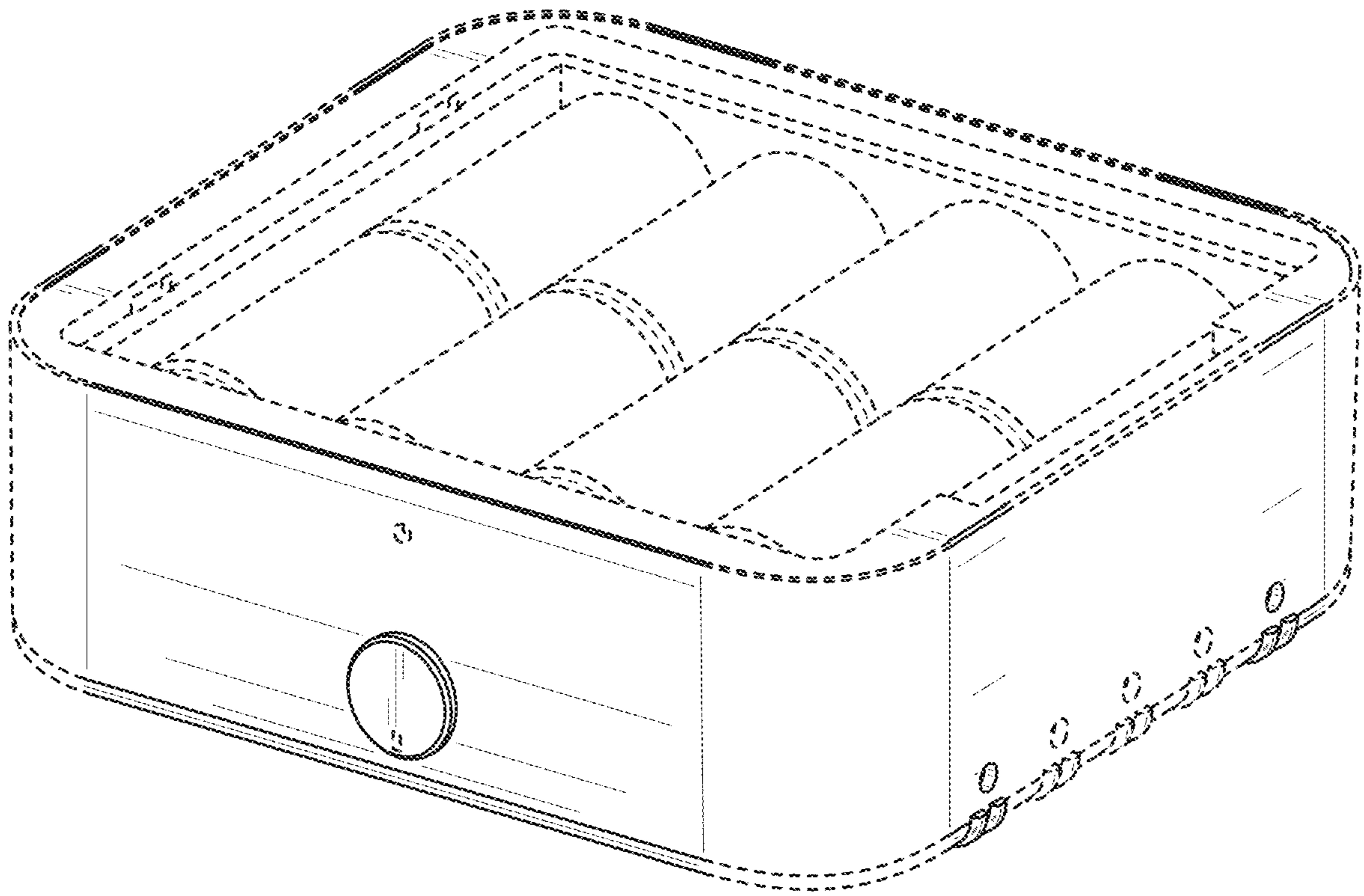


FIG. 8