



US00D901616S

(12) **United States Design Patent** (10) **Patent No.:** **US D901,616 S**
Kincel et al. (45) **Date of Patent:** **** Nov. 10, 2020**

(54) **FIREARM STOCK**

- (71) Applicant: **BRAVO COMPANY MFG, INC.**,
Hartland, WI (US)
- (72) Inventors: **Eric Stephen Kincel**, Coeur d'Alene,
ID (US); **Jeffrey James O'Brien**,
Coeur d'Alene, ID (US)
- (73) Assignee: **BRAVO COMPANY MFG, INC.**,
Hartland, WI (US)
- (**) Term: **15 Years**

- (21) Appl. No.: **29/672,078**
- (22) Filed: **Dec. 3, 2018**
- (51) **LOC (12) Cl.** **22-01**
- (52) **U.S. Cl.**
USPC **D22/111; D22/108**
- (58) **Field of Classification Search**
USPC D22/100, 103, 104, 105, 108, 109, 110,
D22/111, 199; D21/567, 573, 574, 575
CPC F41C 23/04; F41C 23/08; F41C 23/16;
F41G 1/02; F41G 1/027; F41G 1/06;
F41A 17/46; F41A 19/11
See application file for complete search history.

(56) **References Cited**

U.S. PATENT DOCUMENTS

6,925,744	B2	8/2005	Kincel	
8,087,193	B2	1/2012	Kincel	
8,127,483	B2	3/2012	Kincel	
D661,366	S *	6/2012	Zusman F41C 23/04
				D22/108
D676,921	S *	2/2013	Fitzpatrick D22/108
D683,808	S *	6/2013	Elkaim D22/108
D692,087	S *	10/2013	Fitzpatrick D22/108
D722,357	S *	2/2015	Keller D22/108
D722,669	S *	2/2015	Keller D22/108
D736,336	S *	8/2015	Mayberry D22/108
D736,340	S *	8/2015	Mayberry D22/111
9,109,855	B1 *	8/2015	Kincel F41C 23/20

(Continued)

OTHER PUBLICATIONS

“Bravo Company’s New SOPMOD MOD 0 AR-15 Gunfighter Stock Review (HD)”. [online] Mrgunsgear Channel [Published on Feb. 22, 2017]. Retrieved from the Internet: <<https://www.youtube.com/watch?v=08qGmHmfzQo>>.*

(Continued)

Primary Examiner — Khawaja Anwar
Assistant Examiner — Mojtaba Tehrani

(74) *Attorney, Agent, or Firm* — Michael Best & Friedrich LLP

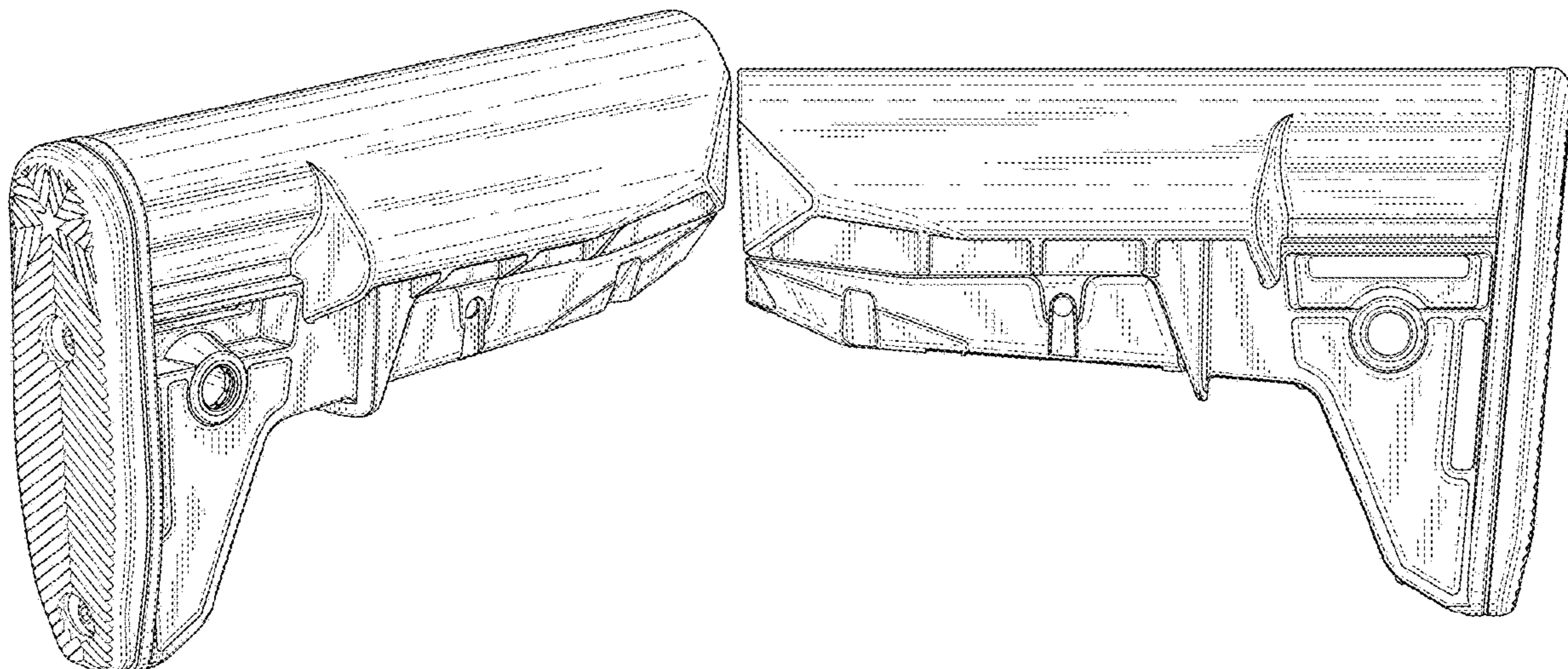
(57) **CLAIM**

We claim the ornamental design for a firearm stock, as shown and described.

DESCRIPTION

FIG. 1 is a perspective view of a firearm stock according to a first embodiment.
 FIG. 2 is a right-side view of the firearm stock of FIG. 1.
 FIG. 3 is a left-side view of the firearm stock of FIG. 1.
 FIG. 4 is a front view of the firearm stock of FIG. 1.
 FIG. 5 is a rear view of the firearm stock of FIG. 1.
 FIG. 6 is a top view of the firearm stock of FIG. 1.
 FIG. 7 is a bottom view of the firearm stock of FIG. 1.
 FIG. 8 is a perspective view of a firearm stock according to a second embodiment.
 FIG. 9 is a right-side view of the firearm stock of FIG. 8.
 FIG. 10 is a left-side view of the firearm stock of FIG. 8.
 FIG. 11 is a front view of the firearm stock of FIG. 8.
 FIG. 12 is a rear view of the firearm stock of FIG. 8.
 FIG. 13 is a top view of the firearm stock of FIG. 8; and,
 FIG. 14 is a bottom view of the firearm stock of FIG. 8.
 The portions of the firearm stock shown in broken lines are included for the purpose of illustrating environment and form no part of the claimed design.

1 Claim, 12 Drawing Sheets



(56)

References Cited

U.S. PATENT DOCUMENTS

9,404,708 B1 * 8/2016 Chow F41C 23/06
D773,005 S * 11/2016 Ding D22/108
D796,617 S * 9/2017 Chow D22/108
D809,621 S * 2/2018 Lam D22/108
D818,074 S * 5/2018 Ding D22/108
10,240,891 B2 * 3/2019 Miller F41C 23/04
2010/0251587 A1 10/2010 Kincel
2013/0097911 A1 * 4/2013 Larue F41C 23/04
42/73

OTHER PUBLICATIONS

“BCM Gunfighter Stocks”. [online] Vickers Tactical [Published on Jul. 30, 2019]. Retrieved from the Internet: <<https://www.youtube.com/watch?v=rBPt15hVbrE>>.*

* cited by examiner

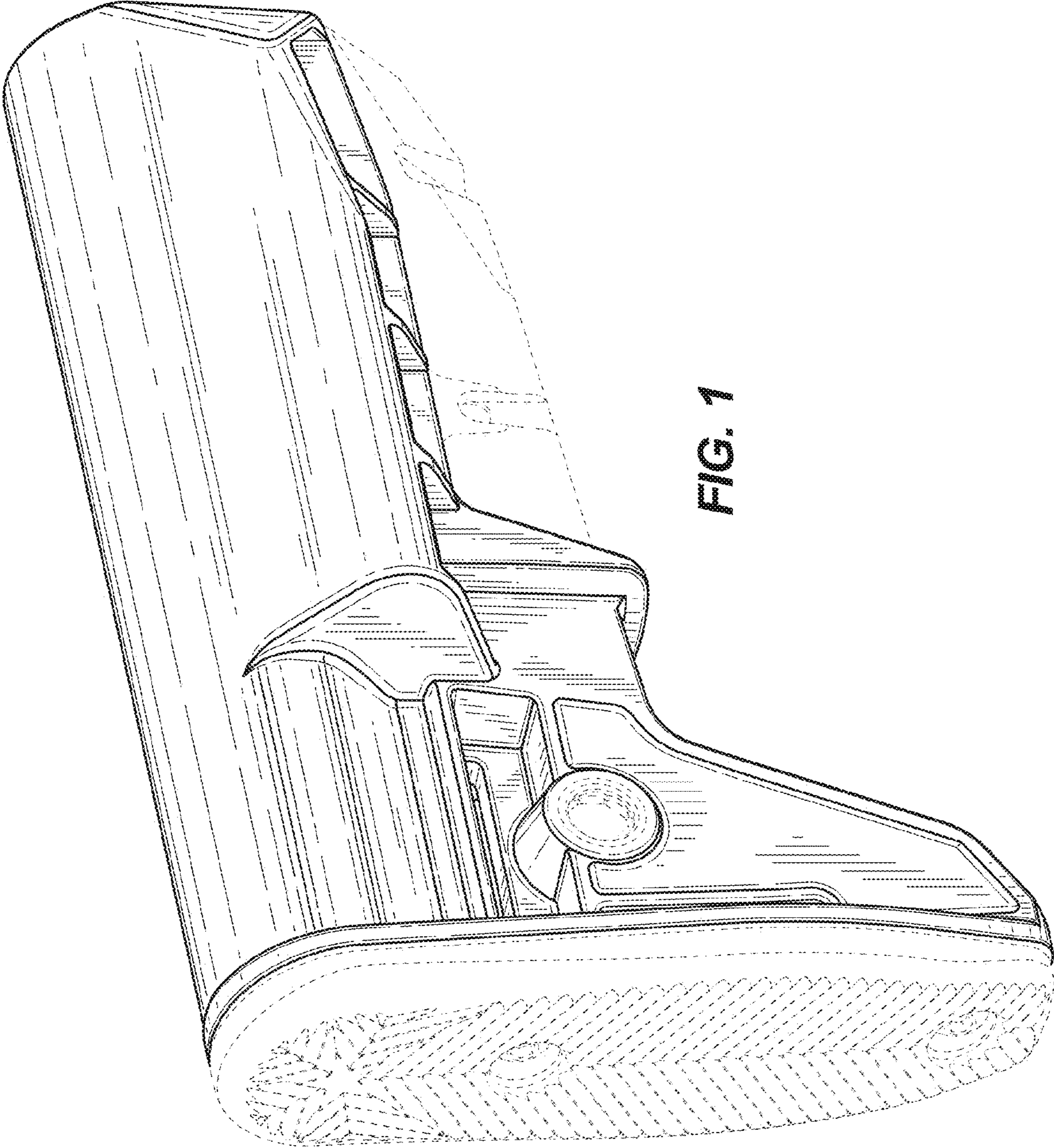


FIG. 1

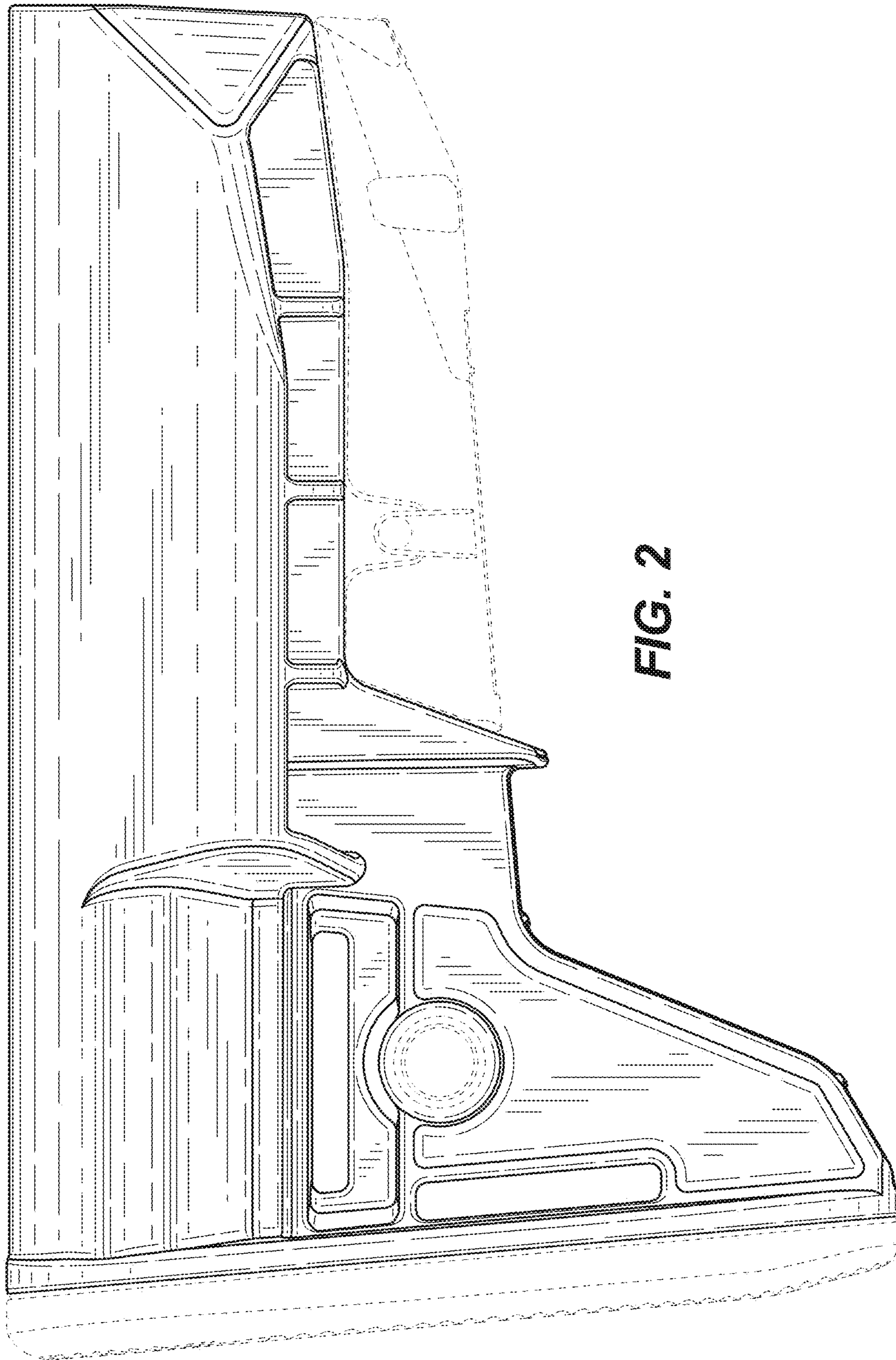


FIG. 2

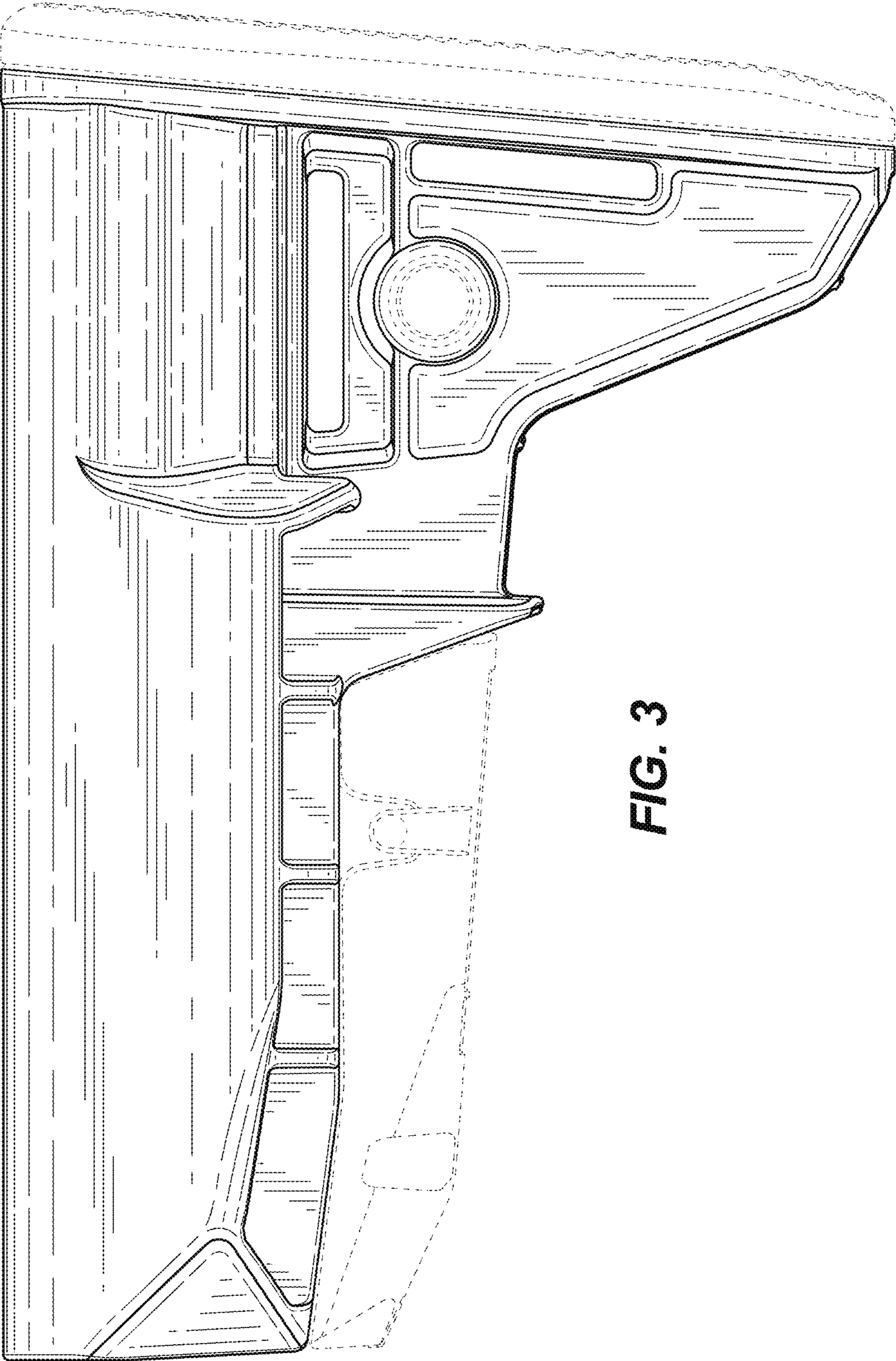


FIG. 3

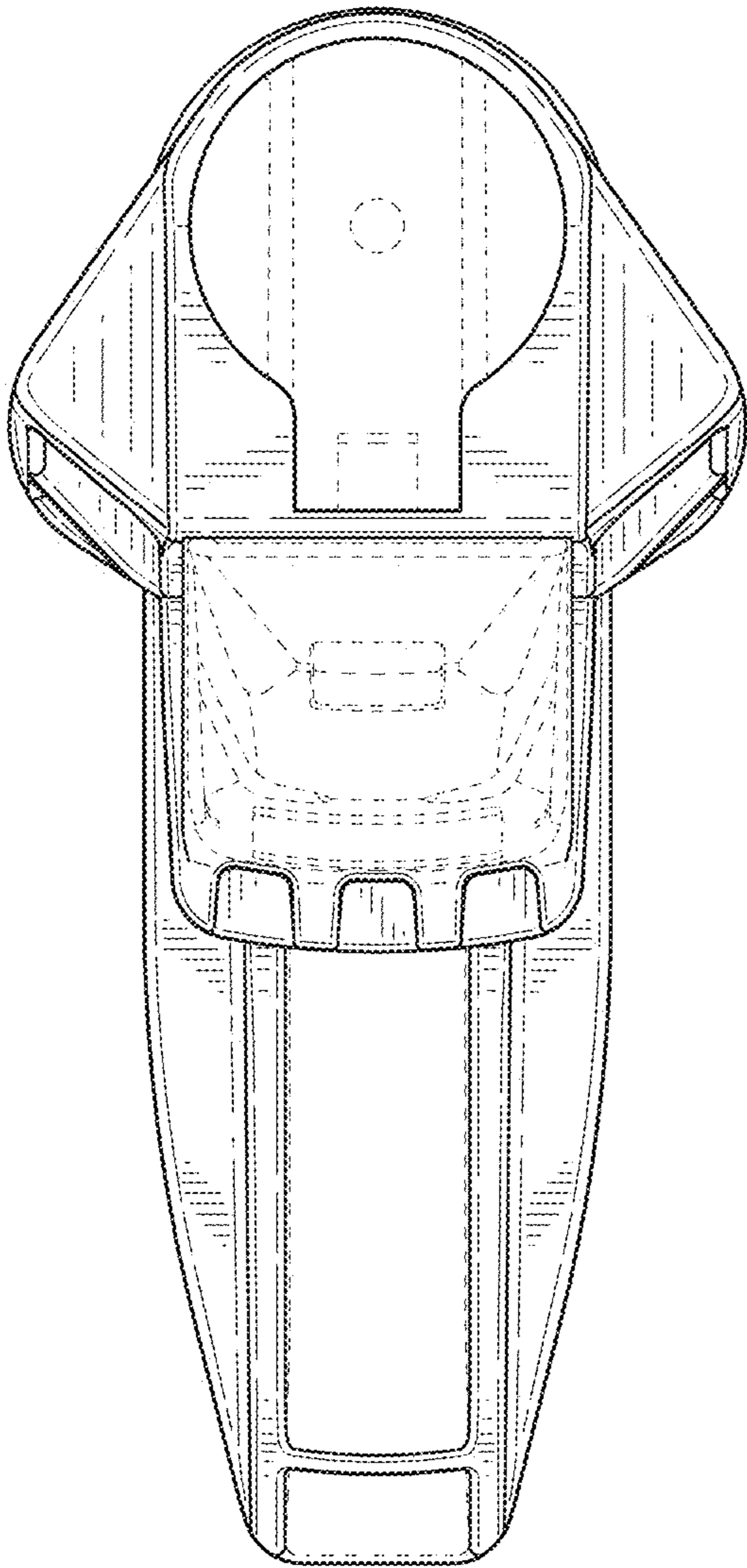


FIG. 4

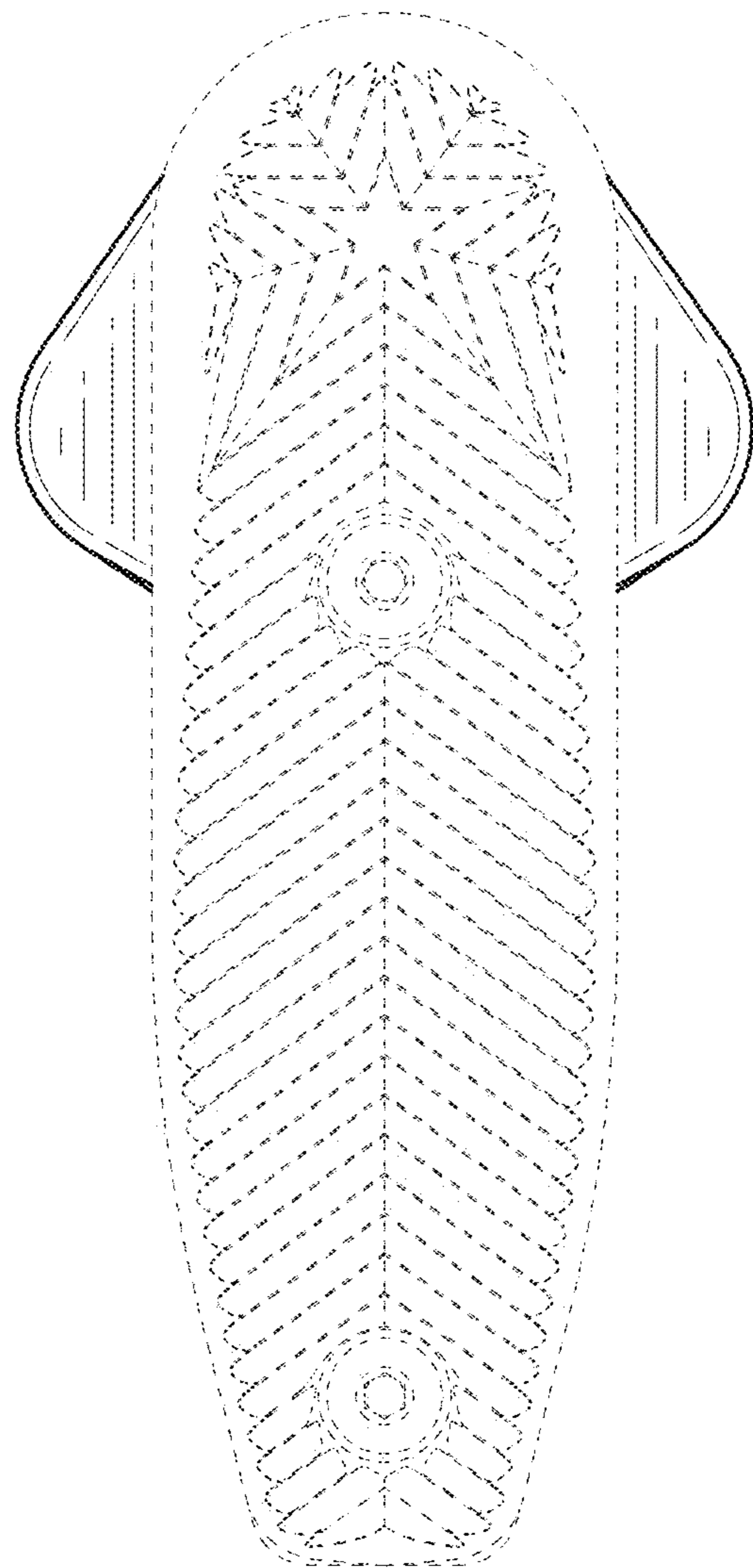


FIG. 5

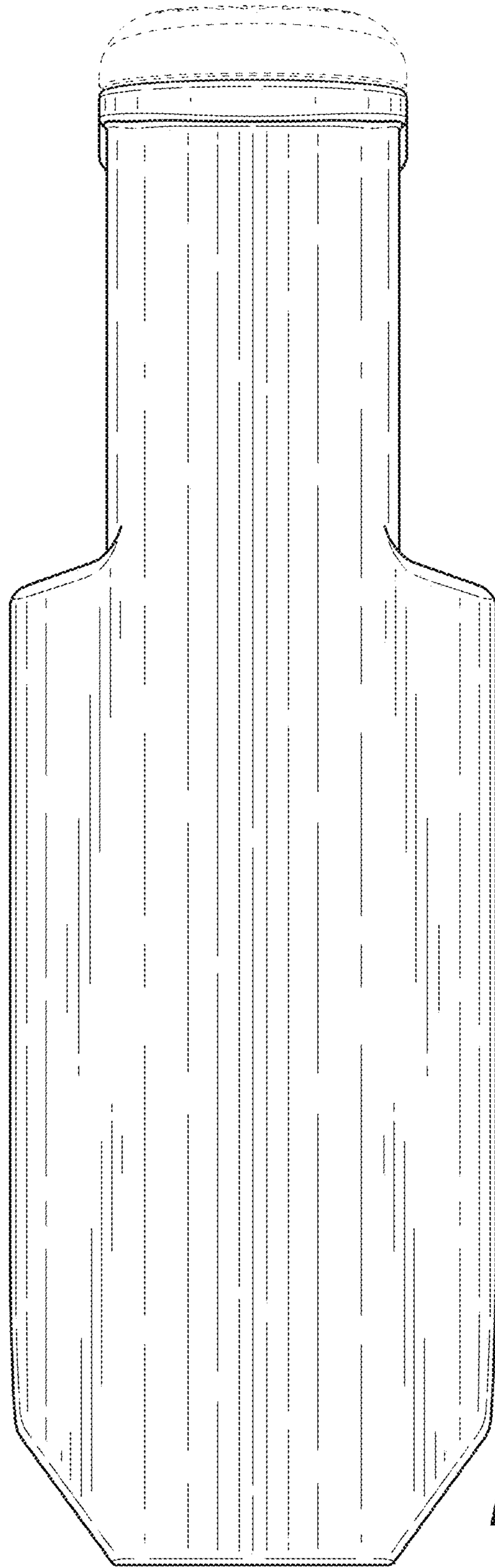


FIG. 6

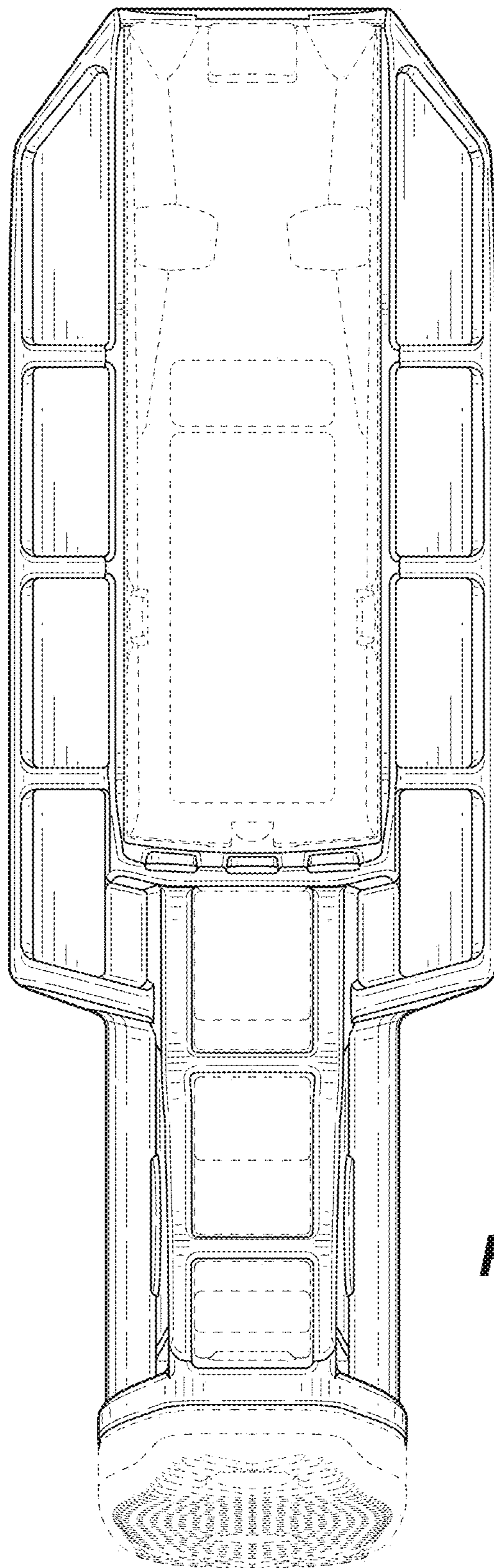


FIG. 7

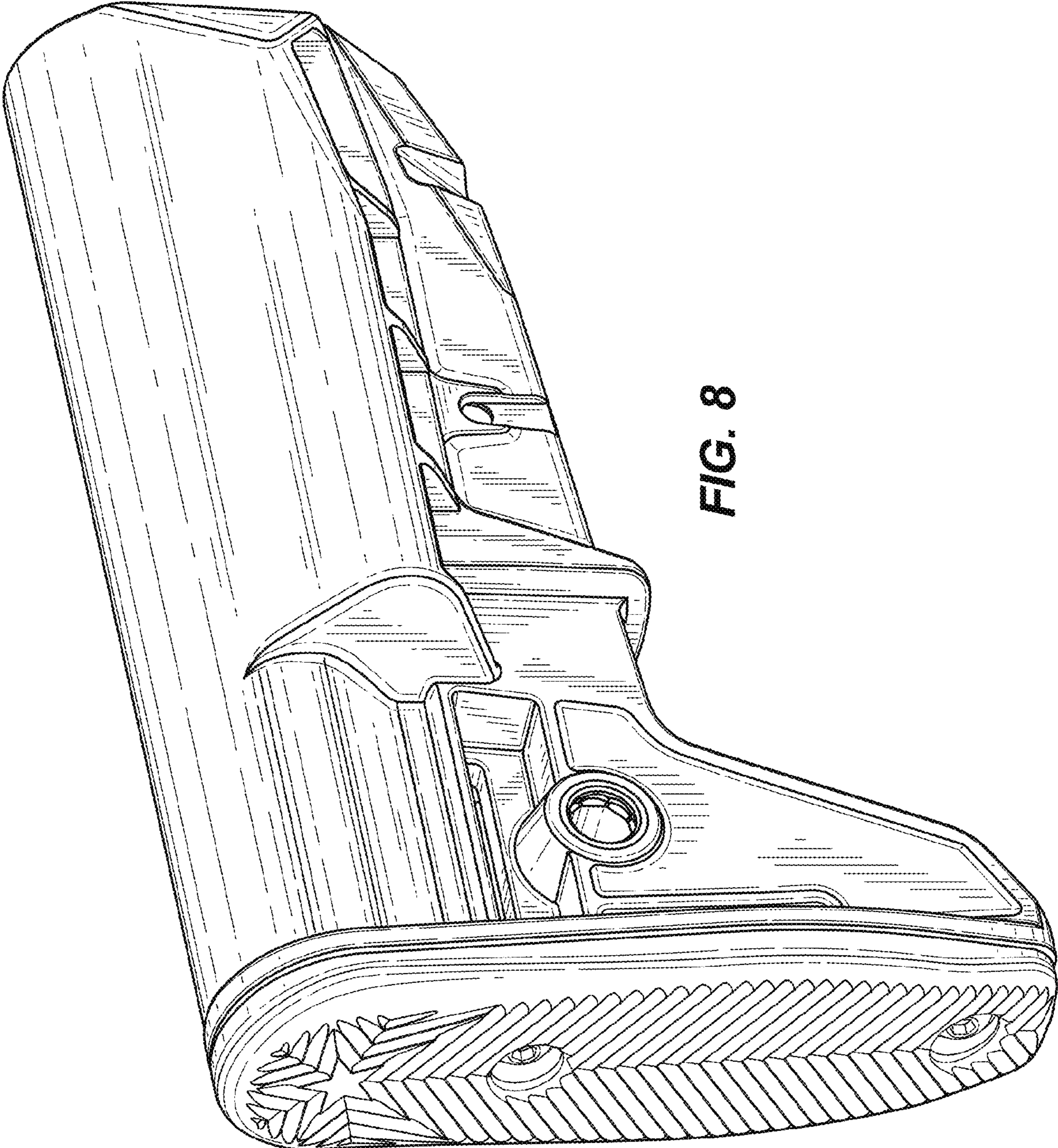


FIG. 8

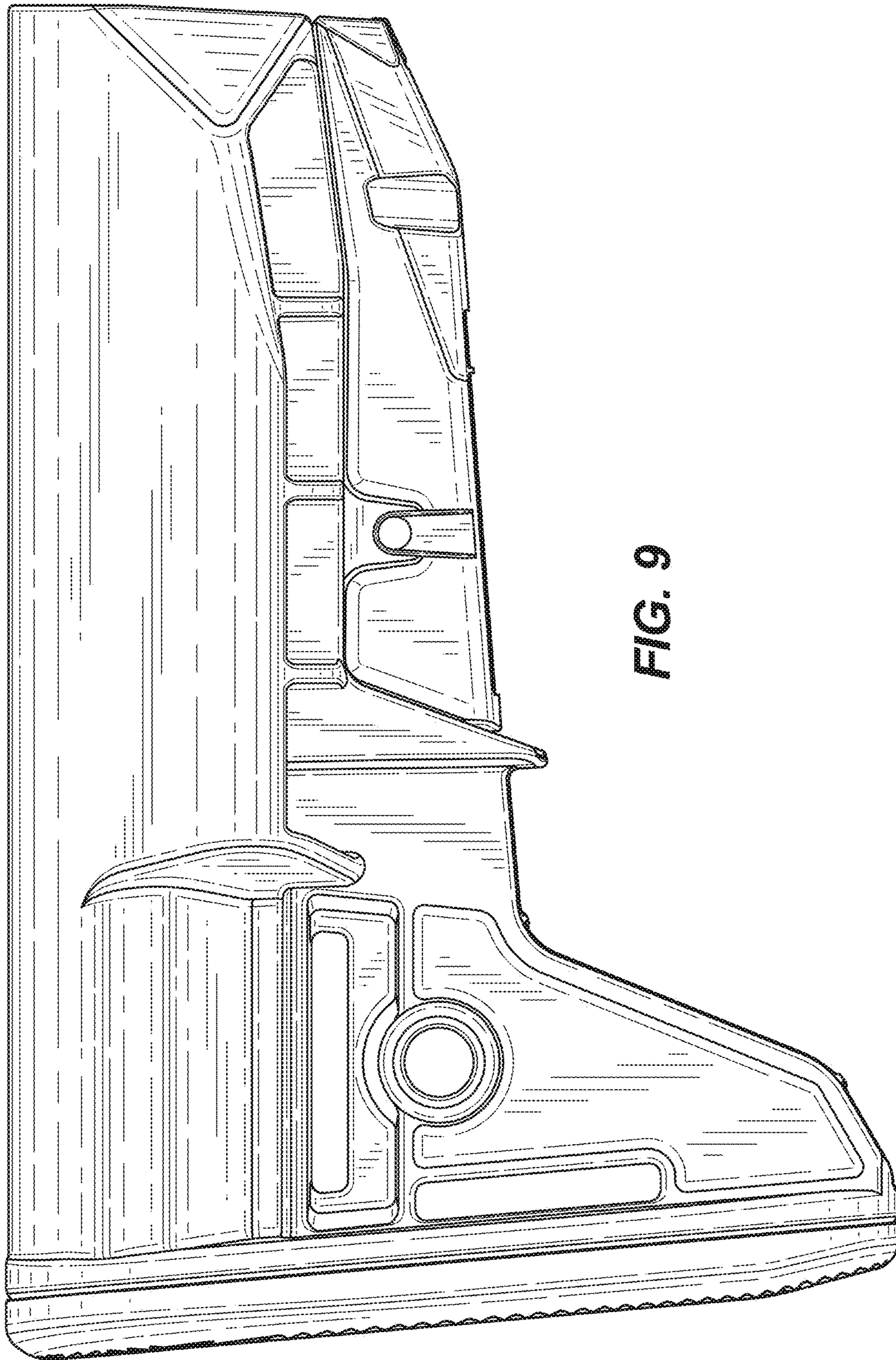


FIG. 9

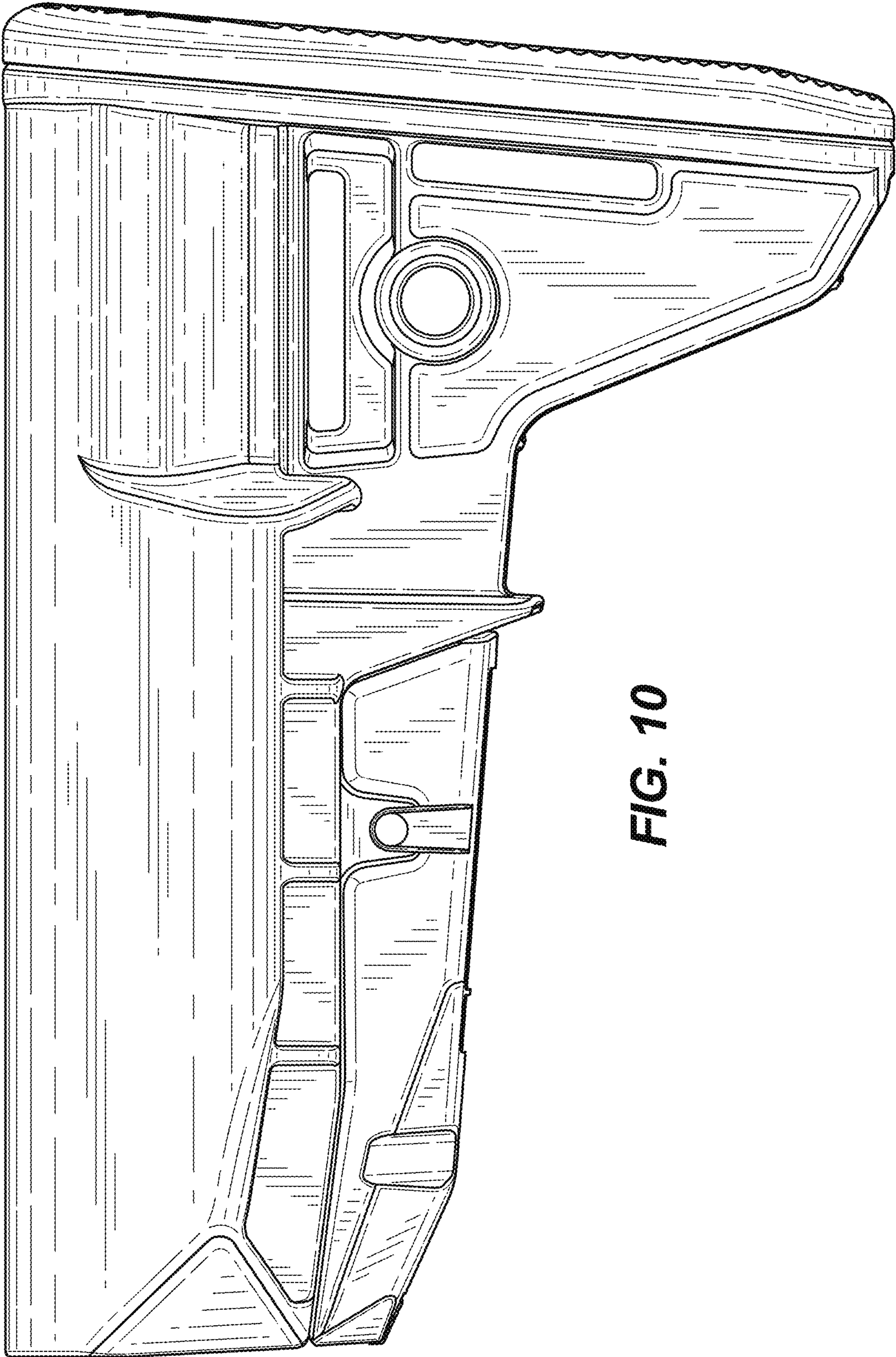


FIG. 10

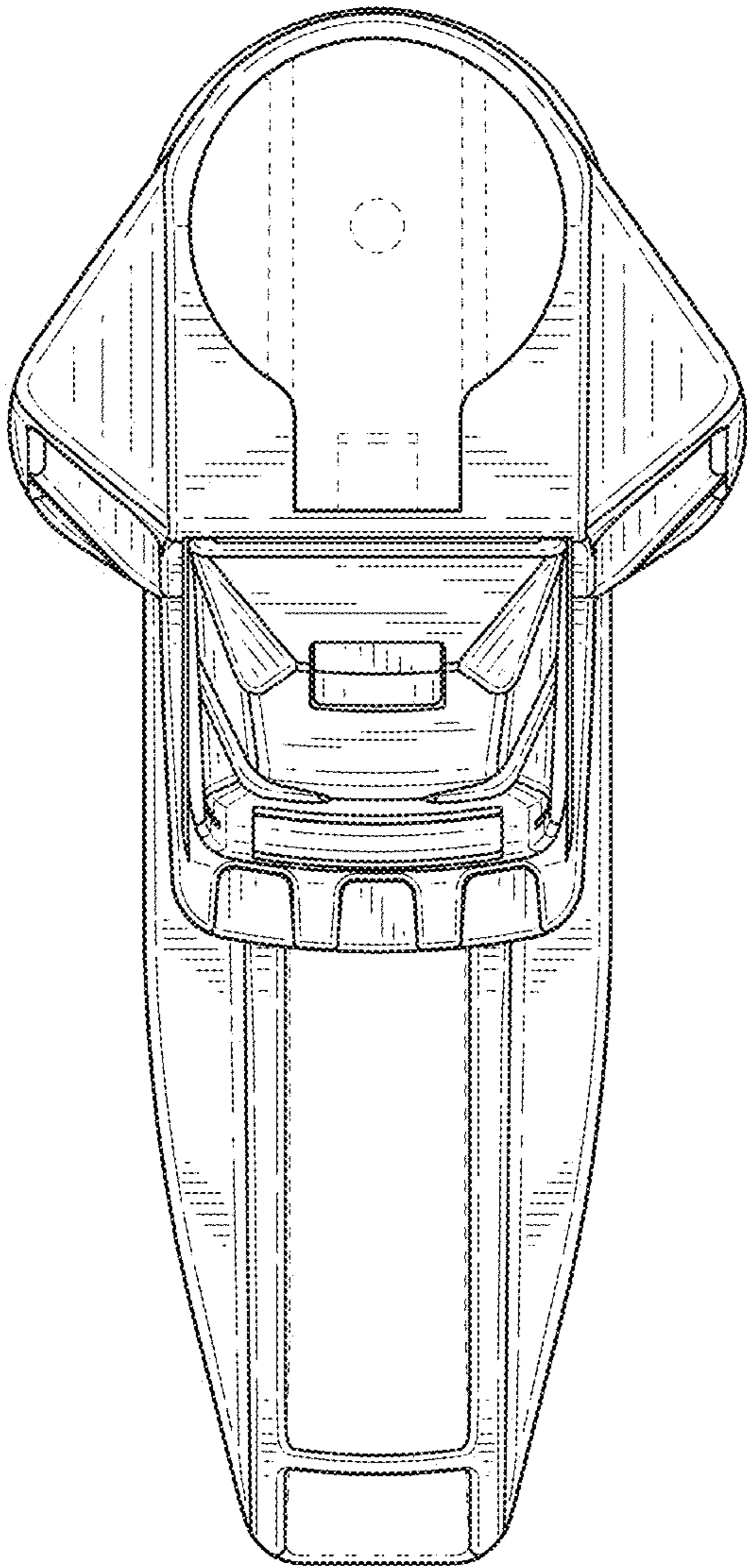


FIG. 11

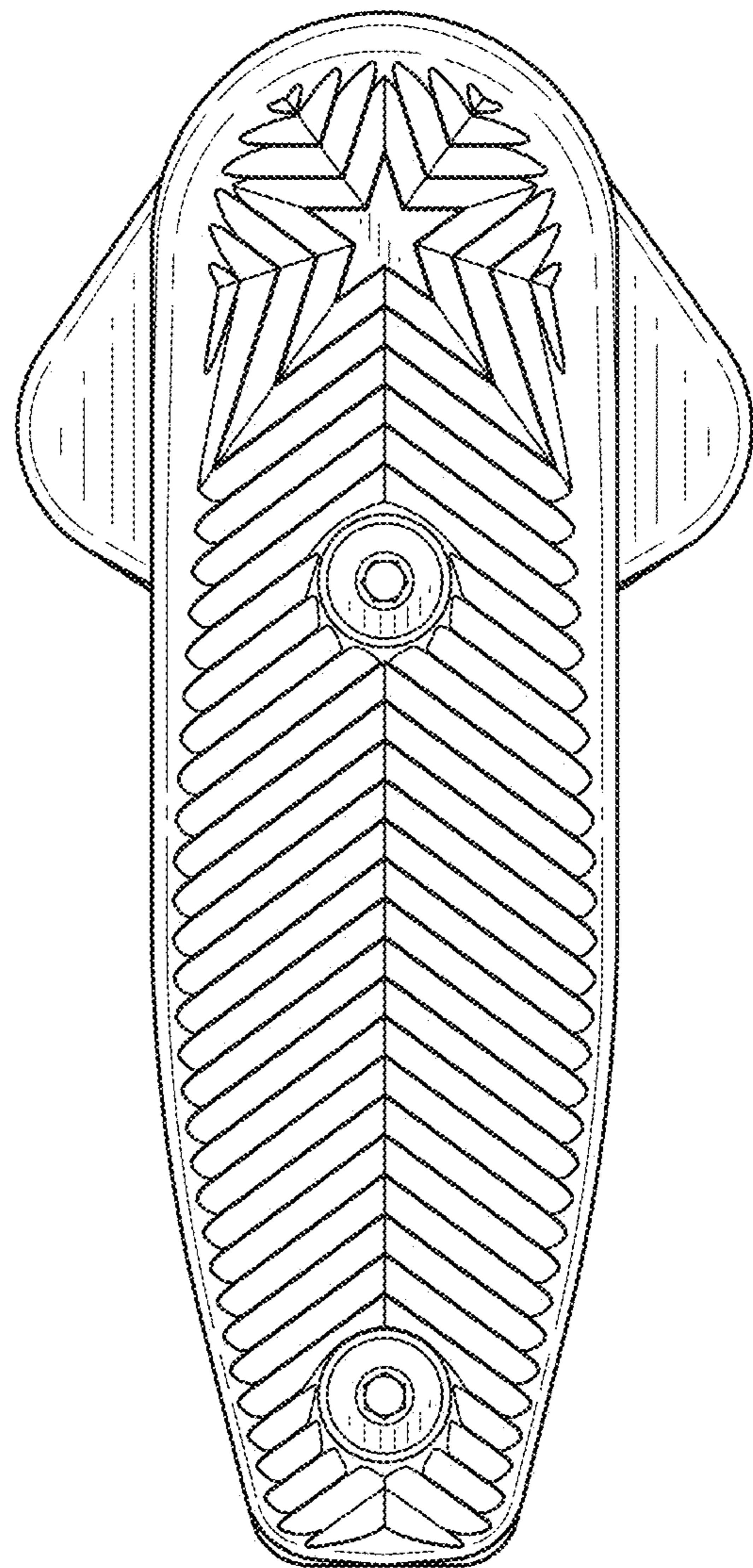


FIG. 12

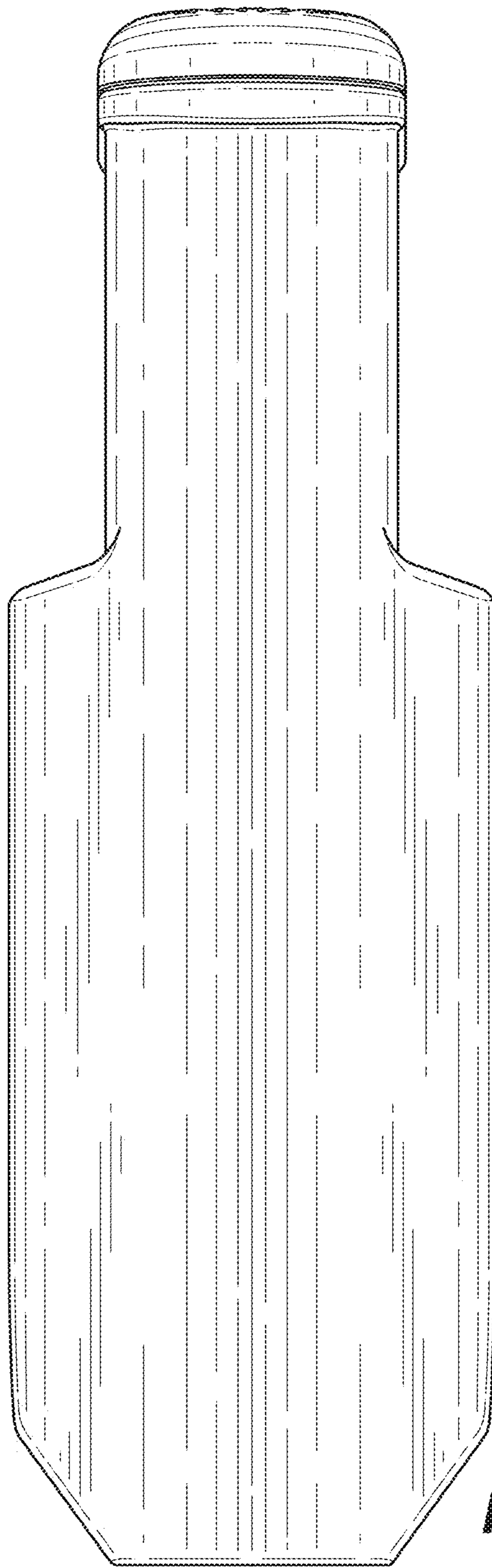


FIG. 13

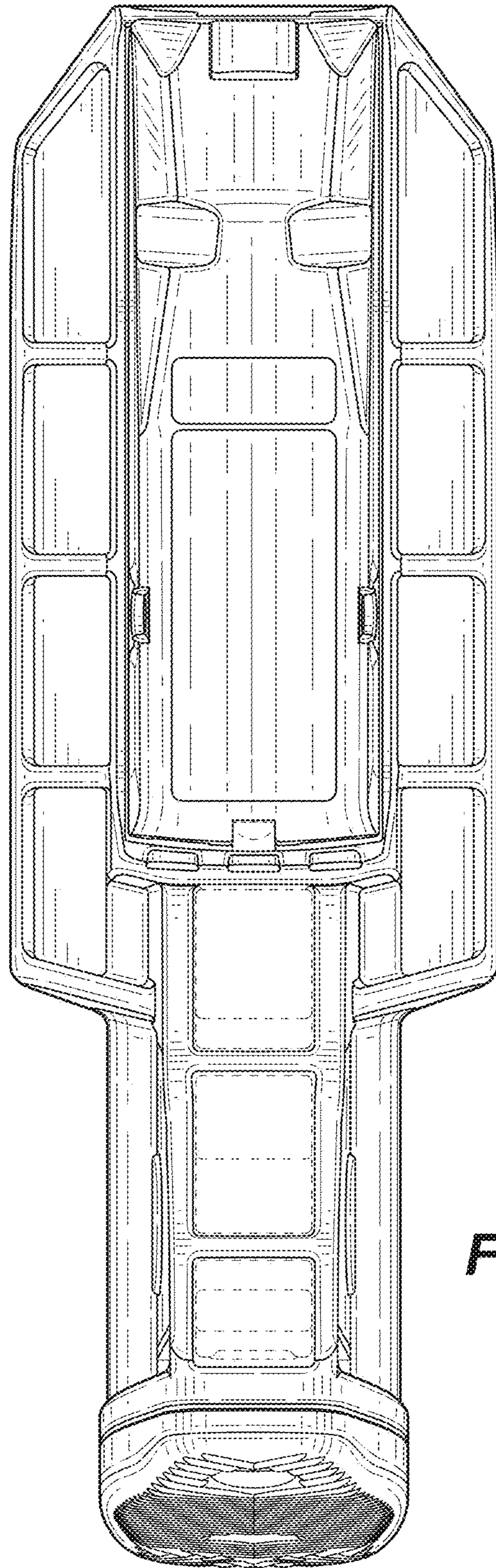


FIG. 14